

INSTALLATION INSTRUCTIONS

LED FLUSH MOUNT FIXTURE

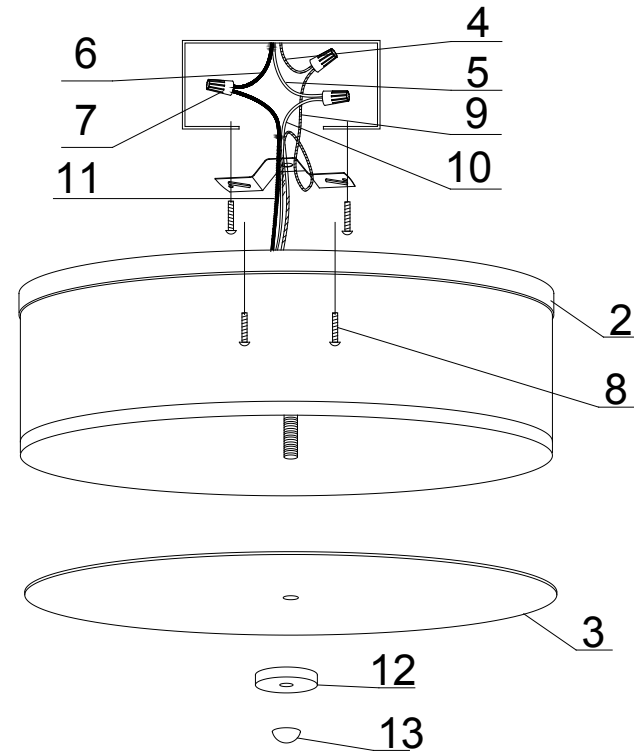
READ AND FOLLOW SAFETY INFORMATION

CAUTION - Turn off the main power at the circuit breaker before installing and servicing the fixture to prevent possible injury from electric shock.

All electrical connections must be in accordance with local and National Electrical Code (N.E.C.) standards. If you are unfamiliar with proper electrical wiring connections, obtain the services of a qualified electrician.

INSTALLATION & ASSEMBLY

1. Pull the supply wires (4 & 5) and house ground wire (6) out from the outlet box (1).
2. Thread the fixture screws (8) into the appropriate threaded holes of the outlet box (1).
3. Electrical connections, connect the black fixture black wire (10) to the black supply wire (5) and the white fixture wire (9) to the white supply wire (4) using wire nut (7).
4. Connect the fixture ground wire (11) to the supply ground wire (6) together using wire nut (7). Wrap all wire connections with electrical tape to ensure secure connection.
5. Carefully tuck all wires back into the outlet box. Place the fixture pan (2) over outlet box and feed fixture screws (8) through keyhole slots. Rotate the fixture pan (2) clockwise until screws (8) slid into the narrow end of the keyhole slots and tighten firmly.
6. Final assembly- Attach the lens (3) and rotate clockwise in place securely.
7. Color Changing Function (12): Selectable color temperature feature allows you to choose your preferred light color: warm, nature white or daylight (3000K/4000K/5000K).
8. Installation complete, restore power at the circuit breaker and turn light switch on to activate this fixture.
9. This is integrated led fixture, no bulbs to replace



- | | |
|--------------------------|-----------------------------|
| 1. OUTLET BOX (EXCLUDED) | 8. FIXTURE SCREWS |
| 2. FIXTURE PAN | 9. WHITE FIXTURE WIRE |
| 3. LENS | 10. BLACK FIXTURE WIRE |
| 4. WHITE SUPPLY WIRE | 11. FIXTURE GROUND WIRE |
| 5. BLACK SUPPLY WIRE | 12. CUP |
| 6. HOUSE GROUND WIRE | 13. CAP NUT |
| 7. WIRE NUTS | 14. Color Changing Function |