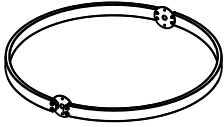


ASSEMBLY INSTRUCTION

STEEL 4-LIGHT ORB CHANDELIER

A ELBOW TUBE



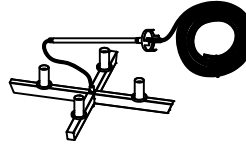
1pc

B ELBOW TUBE



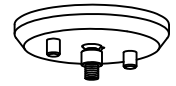
2pcs

C LAMP HOLDER FRAME



1pc

D CANOPY



1pc

E TUBE
Ø11.7*380



1pc

F TUBE
Ø11.7*305



1pc

G TUBE
Ø11.7*230



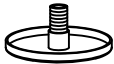
1pc

H TUBE
Ø11.7*100



1pc

I COVER
Ø61*5.5



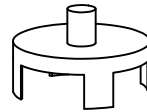
1pc

J COVER
Ø61*5.5



1pc

K COVER
Ø58*22



2pcs

L RING ACCESSORY
Ø15*2



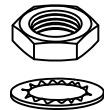
1pc

M TUBE
Ø12*20



1pc

N NUT AND WASHER
1/8*27



1pc

O WASHER
Ø12*Ø4.5*1



2pcs

P SCREW
5/32"-32T*25



2pcs

Q SCREW
5/32"-32T*15



4pcs

R WIRE CONNECTOR
Ø9.9*17.7



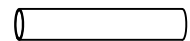
2pcs

S WIRE CONNECTOR
Ø8.6*15.2



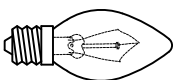
1pc

T GLASS TUBE
Ø32*175



4pcs

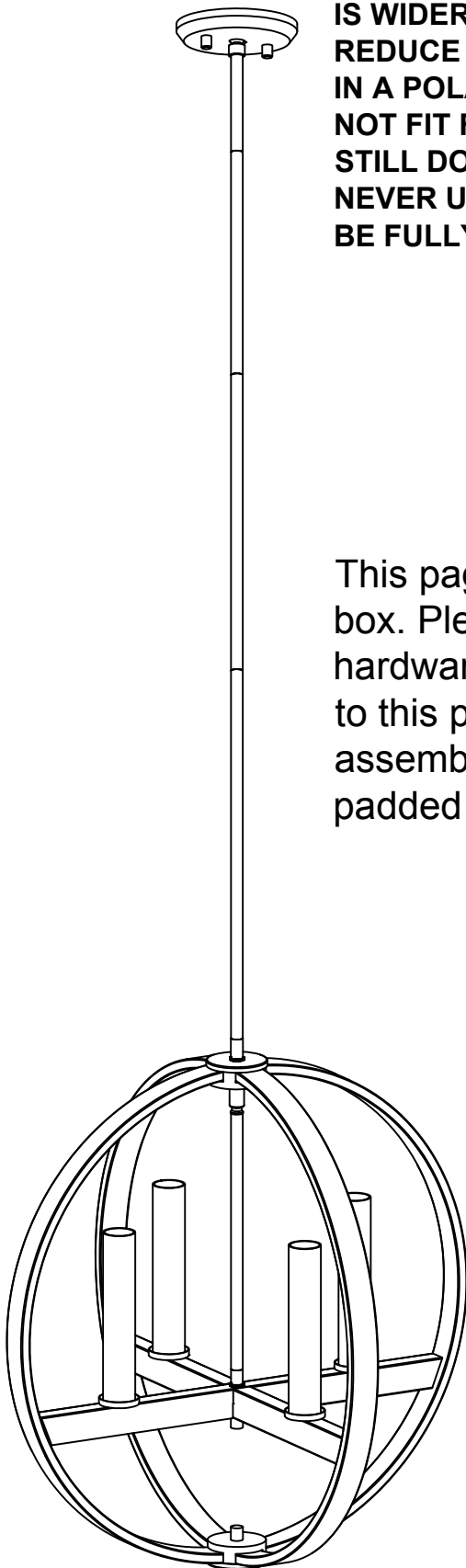
U BULB



4pcs

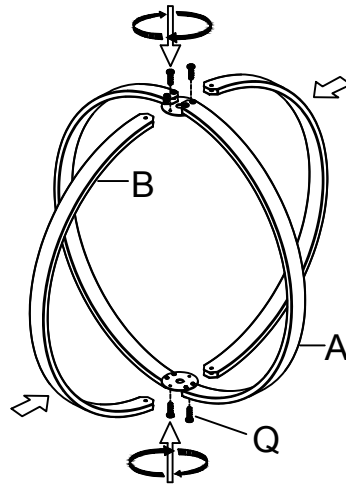
IMPORTANT SAFETY INSTRUCTIONS

THIS PENDANT LAMP HAS A POLARIZED PLUG (ONE BLADE IS WIDER THAN THE OTHER) AS A SAFETY FEATURE TO REDUCE THE RISK OF ELECTRIC SHOCK. THIS PLUG WILL FIT IN A POLARIZED OUTLET ONLY ONE WAY. IF THE PLUG DOES NOT FIT FULLY IN THE OUTLET, REVERSE THE PLUG. IF IT STILL DOES NOT FIT, CONTACT A QUALIFIED ELECTRICIAN. NEVER USE WITH AN EXTENSION CORD UNLESS PLUG CAN BE FULLY INSERTED. DO NOT ALTER THE PLUG.

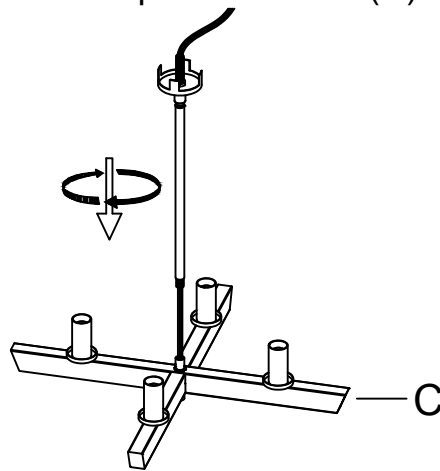


This page lists all the contents included in the box. Please take the time to identify the hardware as well as the individual components to this product. As you unpack and prepare for assembly, place the contents on a carpeted or padded area to protect them from damage.

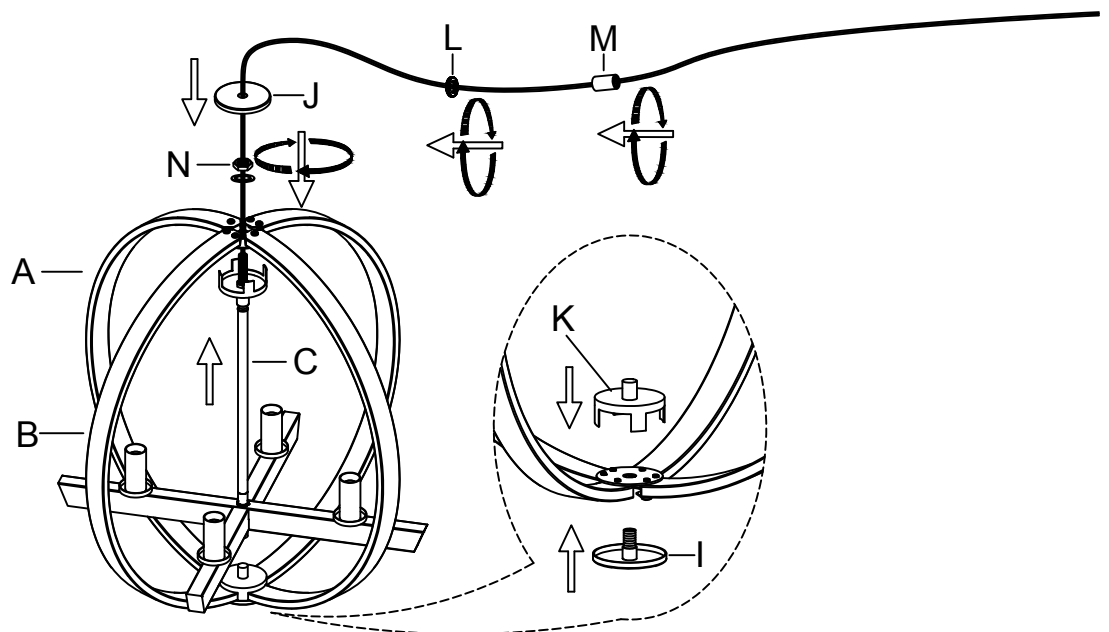
- 1** Take elbow tube(B) on the surface of elbow tube(A) and use the screw(Q) to fit it.



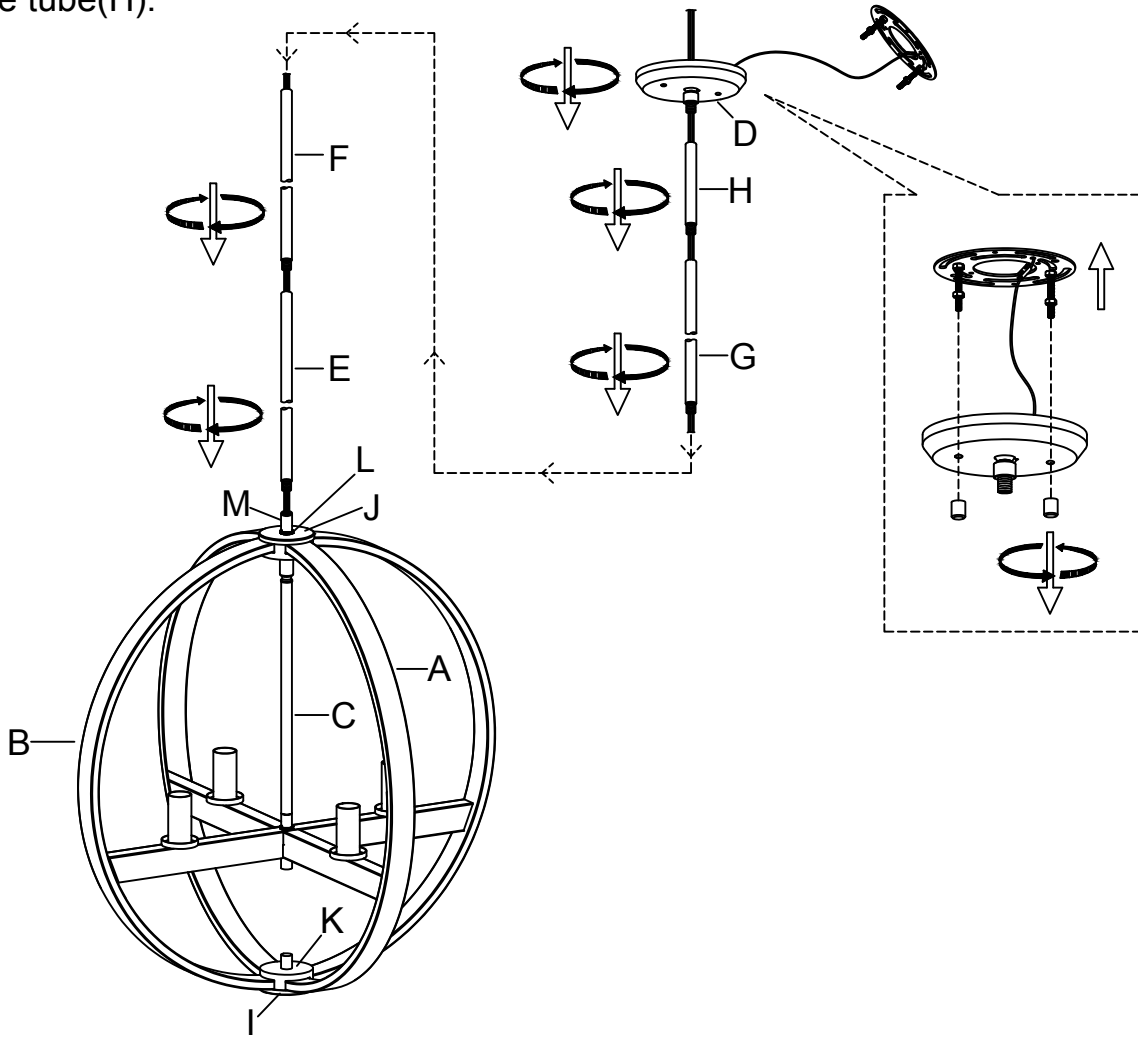
- 2** Assemble the tube together with the lamp holder frame(C).



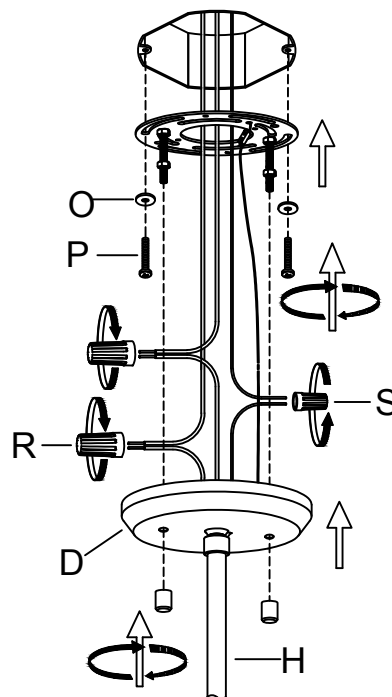
- 3** Assemble the lamp holder frame(C) and the elbow tube with nut and washer(N) and put on the cover(J). Secondly, fit on the ring accessory(L) and tube(M). Lastly, assemble cover(I) together with the cover(K).



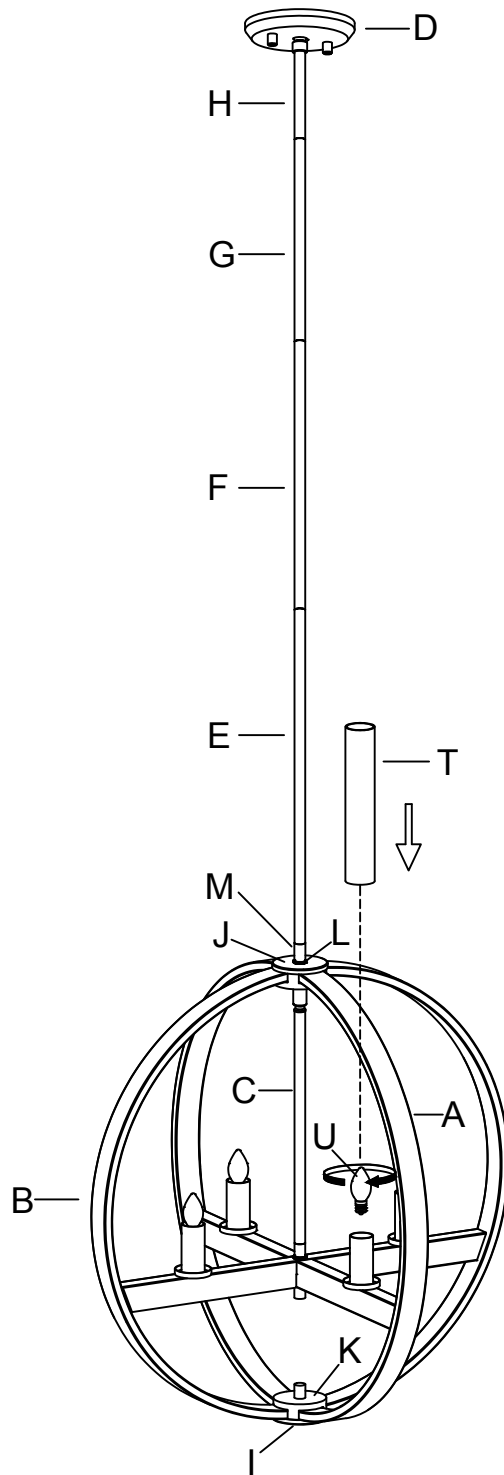
- 4** Loosing the accessory which is on the canopy(D) and taking out the ceiling plate, and then assembling the tube(E,F,G,H) on the tube(M), last, fit the canopy(D) on the tube(H).



- 5** Assemble the ceiling plate with the terminal box with screws(P) and washers(O) and using wire connector(R) to connect the "L" wire and "N" wire separately and then using wire connector(S) to connect the ground wire.



6 Fit on the bulb(U) and glass tube(T).



Cleaning & Care

Treat surface with care. Surface is resistant to scratches but is not scratch resistant. Clean surfaces with a dry or damp soft cloth. Do not use abrasive cleaners. Hardware may loosen over time. Periodically check that all connections are tight.