


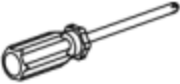


## Assembly instructions

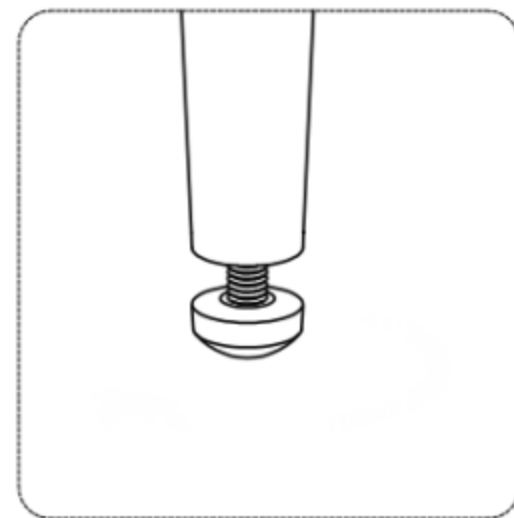
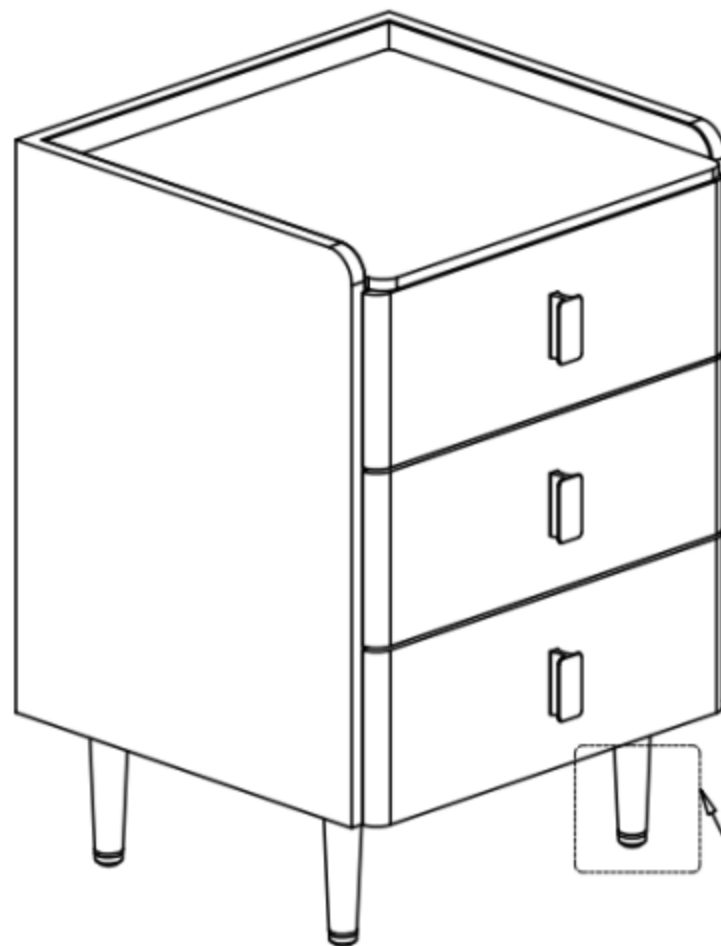
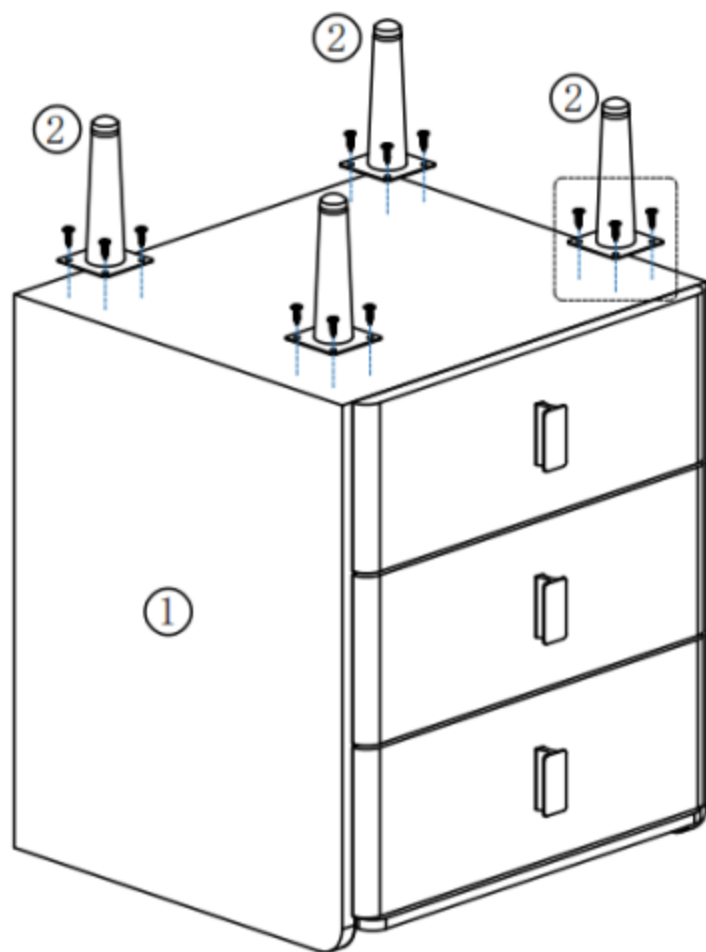
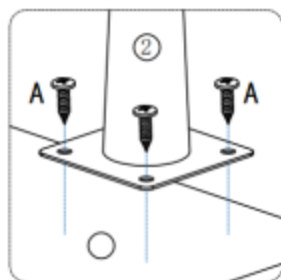
Part name / Teilname / Noms des pièces du produit / Nome della parte / Nombre de la pieza

| NO.      | English              | Deutsch                | Français                    | Italiano           | Español                    | Parts drawing                                                                       | Parts Size       | Quantity  |
|----------|----------------------|------------------------|-----------------------------|--------------------|----------------------------|-------------------------------------------------------------------------------------|------------------|-----------|
| <b>1</b> | Bedside cabinet body | Korpus des Nachttischs | Corps de la table de chevet | Corpo del comodino | Cuerpo del mesita de noche |  | /                | <b>1</b>  |
| <b>2</b> | Leg                  | Bein                   | Pied                        | Gamba              | Pata                       |  |                  | <b>4</b>  |
| <b>A</b> | Screw                | Schraube               | Vis                         | Vite               | Tornillo                   |  | <b>#3.5*15MM</b> | <b>16</b> |
| <b>B</b> | Screwdriver          | Schraubenzieher        | Tournevis                   | Cacciavite         | Destornillador             |  | <b>M6*128MM</b>  | <b>1</b>  |

**Caution: After unpacking, check the correct number of accessories against the instructions.**

This product has been inspected for wood and paint, and it fully conforms to the national quality inspection standards. After passing the inspection, it will be delivered to the factory. After confirming that the packaging is in good condition, it can be sold.

Step 1/ Schritt 1/ étape 1/ Passo 1/ Paso 1 :



Adjust the height of the adjustable foot pads to make the cabinet stable.