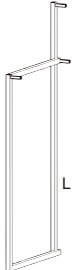
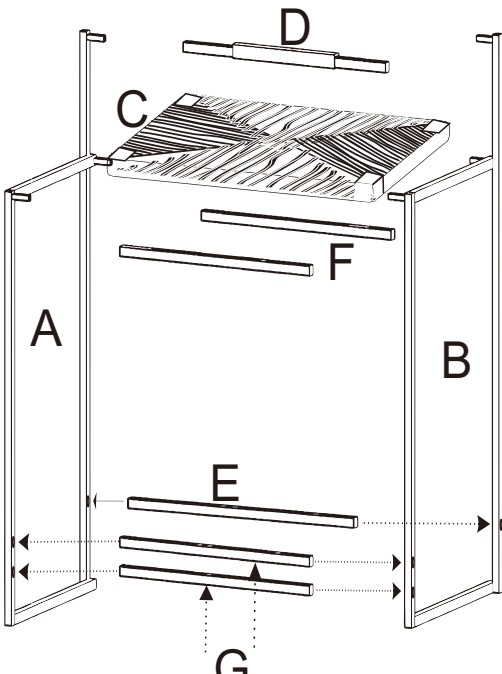
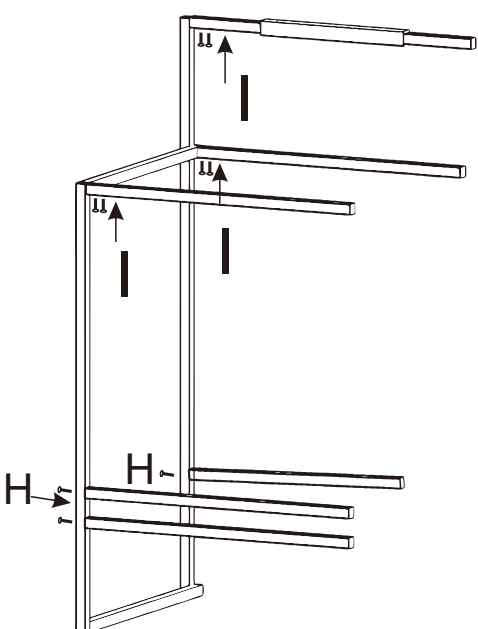






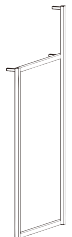


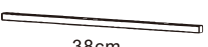
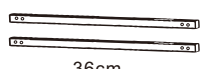
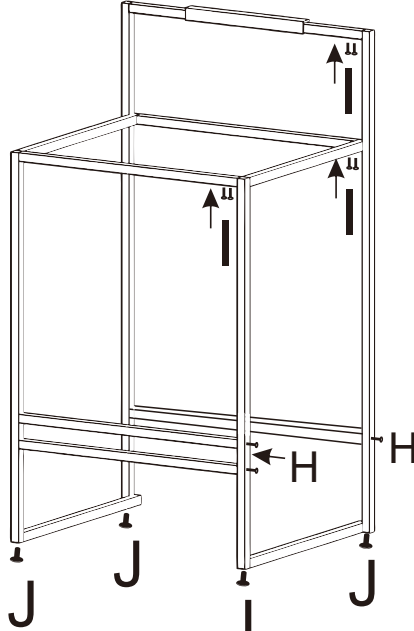
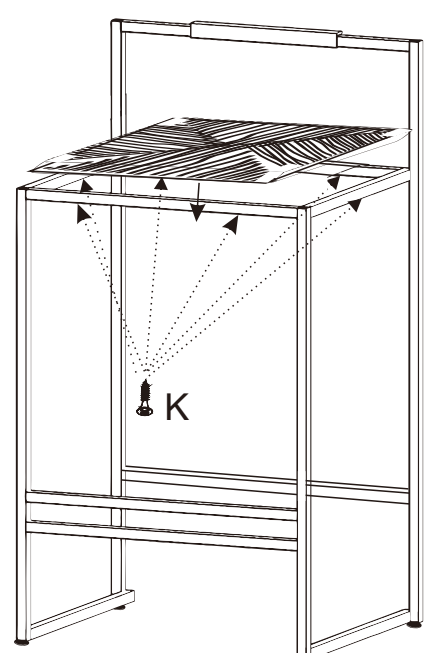


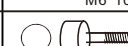



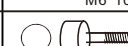



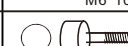

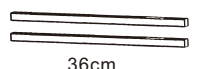




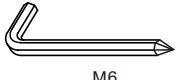


ASSEMBLY INSTRUCTION

| | | | | | | | | | | | | | | | | |
|---|----------------------------------------------------------------------------------------------------|---|------------------------------------------------------------------------------------------------------------------------------------------------------------------------------------------------------------------------------------|--------------------------------------------------------------------------------------------------------------------------------------------------------------------------------------------------------------------------------------------------------------------------------------------------------------------------------------------------------------------------------------------------------------------------------------------------------------------------------------------------------------------------------------------------------------------------------------------------------------------------------------------------------------------------------------------------------------------------------------------------------------------------------------------------------------------------------------------------------------------------------------------------------------------------------------------------------------------------------------------------------------------------------------------------------------------------------------------------------------------------------------------------------------------------------------------------------------------------------------------------------------------------------------------------------------------------------------------|---|---------------------------------------------------------------------------------------|---|---|---------------------------------------------------------------------------------------|---|---|-------------------------------------------------------------------------------------|---|---|---------------------------------------------------------------------------------------|---|
| A |  LEFT X1 | | <div style="text-align: center; font-size: 2em; font-weight: bold; background-color: #ccc; padding: 5px; width: 40px; margin: 0 auto;">1</div>  | <div style="text-align: center; font-size: 2em; font-weight: bold; background-color: #ccc; padding: 5px; width: 40px; margin: 0 auto;">2</div>  <table border="1" style="width: 100%; margin-top: 10px;"> <tbody> <tr> <td style="text-align: center; width: 30px;">H</td> <td style="text-align: center;"></td> <td style="text-align: center; width: 30px;">3</td> </tr> <tr> <td style="text-align: center;">I</td> <td style="text-align: center;"></td> <td style="text-align: center;">6</td> </tr> </tbody> </table> | H |  | 3 | I |  | 6 | | | | | | |
| H |  | 3 | | | | | | | | | | | | | | |
| I |  | 6 | | | | | | | | | | | | | | |
| B |  RIGHT X1 | | | | | | | | | | | | | | | |
| C |  X1 | | | | | | | | | | | | | | | |
| D |  38cm X1 | | | | | | | | | | | | | | | |
| E |  38cm X1 | | | | | | | | | | | | | | | |
| F |  36cm X2 | | <div style="text-align: center; font-size: 2em; font-weight: bold; background-color: #ccc; padding: 5px; width: 40px; margin: 0 auto;">3</div>  | <div style="text-align: center; font-size: 2em; font-weight: bold; background-color: #ccc; padding: 5px; width: 40px; margin: 0 auto;">4</div>  <table border="1" style="width: 100%; margin-top: 10px;"> <tbody> <tr> <td style="text-align: center; width: 30px;">H</td> <td style="text-align: center;"></td> <td style="text-align: center; width: 30px;">3</td> </tr> <tr> <td style="text-align: center;">I</td> <td style="text-align: center;"></td> <td style="text-align: center;">6</td> </tr> <tr> <td style="text-align: center;">J</td> <td style="text-align: center;"></td> <td style="text-align: center;">4</td> </tr> </tbody> </table> <table border="1" style="width: 100%; margin-top: 10px;"> <tbody> <tr> <td style="text-align: center; width: 30px;">K</td> <td style="text-align: center;"></td> <td style="text-align: center; width: 30px;">6</td> </tr> </tbody> </table> | H |  | 3 | I |  | 6 | J |  | 4 | K |  | 6 |
| H |  | 3 | | | | | | | | | | | | | | |
| I |  | 6 | | | | | | | | | | | | | | |
| J |  | 4 | | | | | | | | | | | | | | |
| K |  | 6 | | | | | | | | | | | | | | |
| G |  36cm X2 | | | | | | | | | | | | | | | |
| H |  M6*35mm X6 | | | | | | | | | | | | | | | |
| I |  M6*10mm X12 | | | | | | | | | | | | | | | |
| J |  M6*15mm X4 | | | | | | | | | | | | | | | |
| K |  M4*40mm X6 | | | | | | | | | | | | | | | |
| L |  M6 X1 | | | | | | | | | | | | | | | |