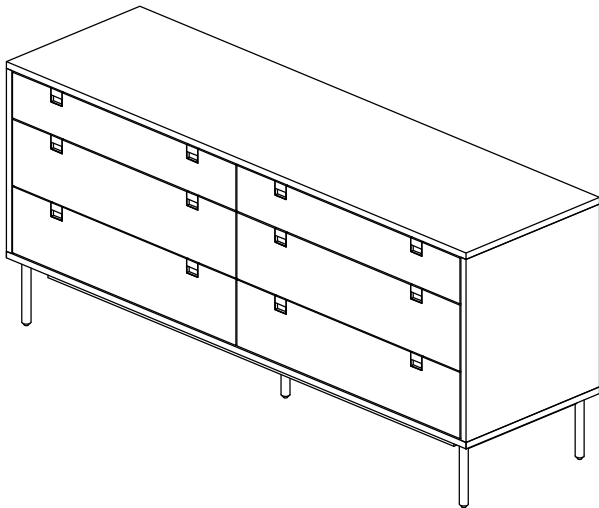


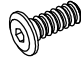


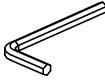
ASSEMBLY INSTRUCTION

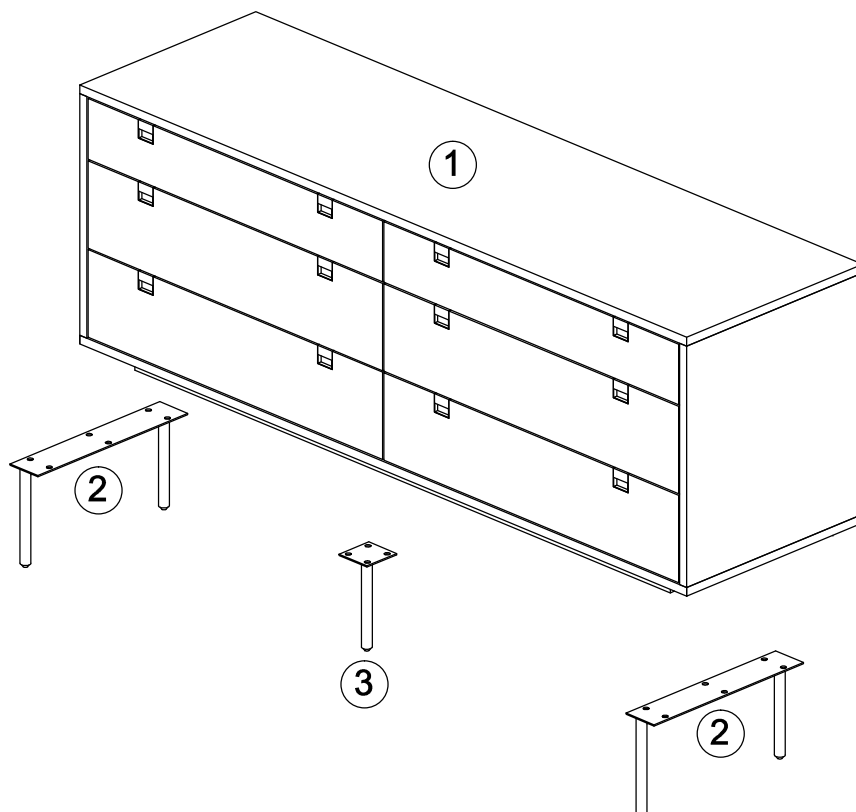
6 DRAWER DRESSER

Thank you for purchasing this quality product. Be sure to check all packing material carefully for small parts which may have come loose inside the carton during shipment. Identify and count all parts and compare with the parts list below.

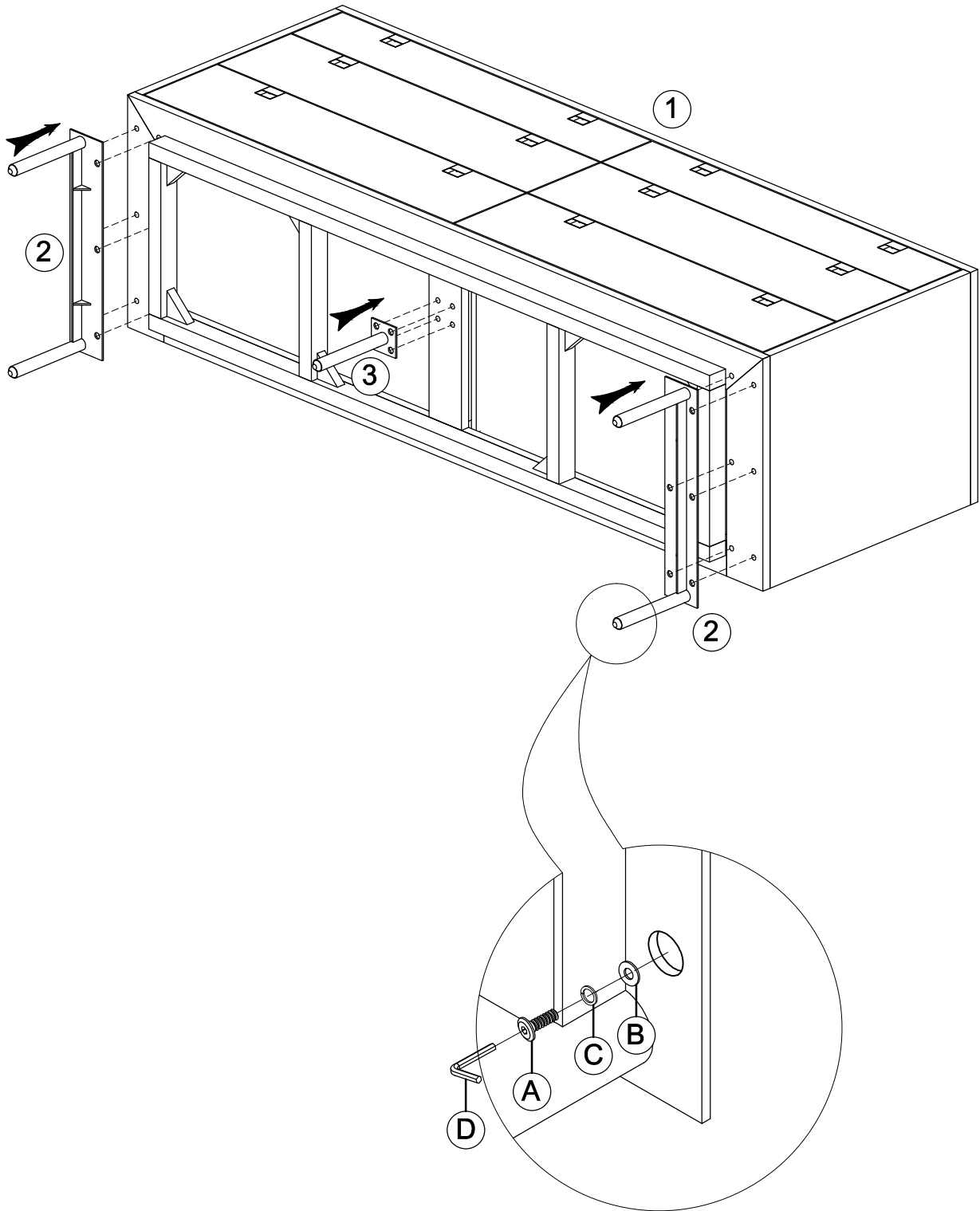


HARDWARE LIST

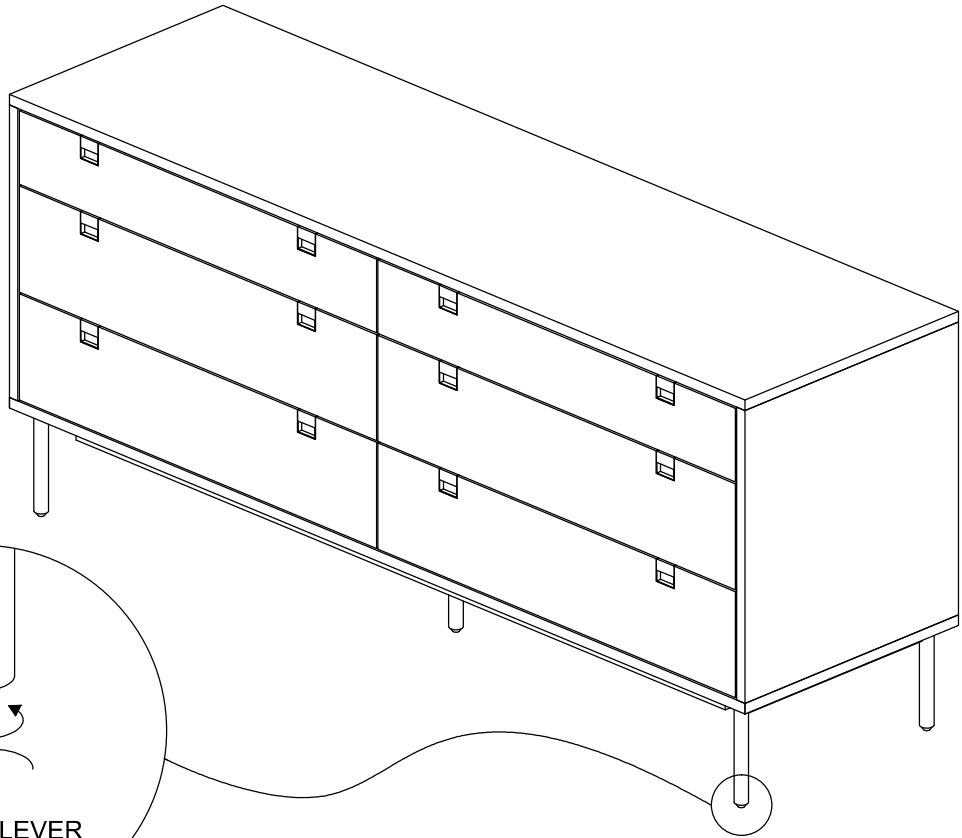
A		BOLT M6 x 20	16
B		FLAT WASHER	16
C		SPRING WASHER	16
D		M4	1



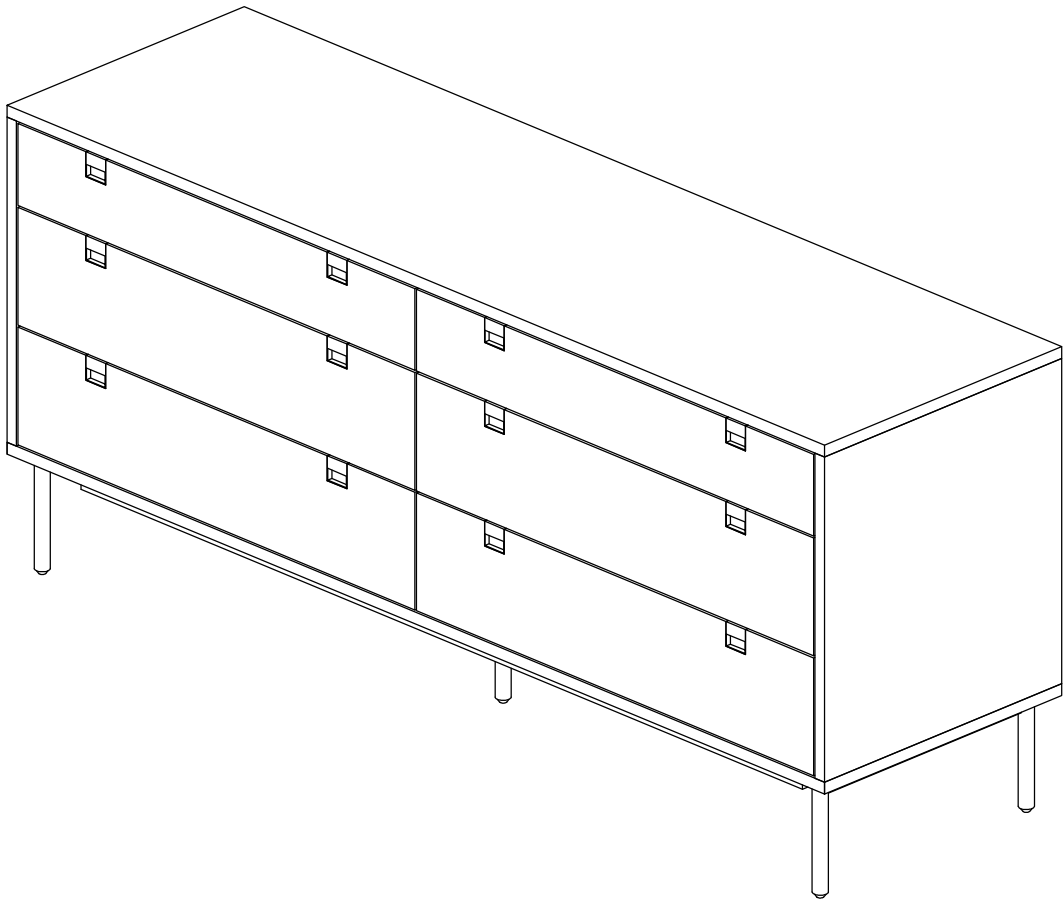
1



2



ADJUST LEVER
FOR BALANCE



FINISHED

PAGE 3