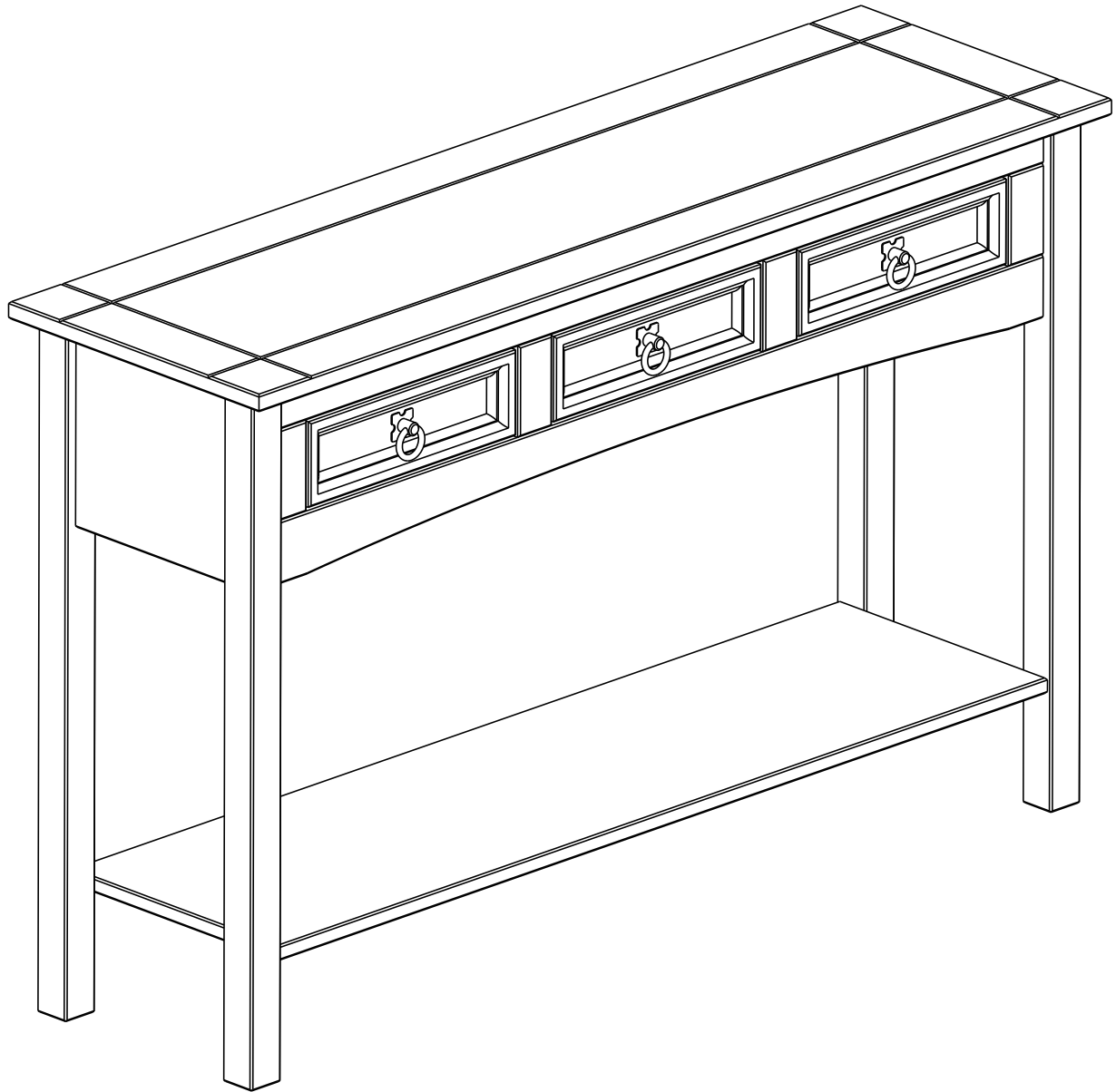


# 3 DRAWER CONSOLE

## ASSEMBLY INSTRUCTIONS

Distressed Waxed Pine

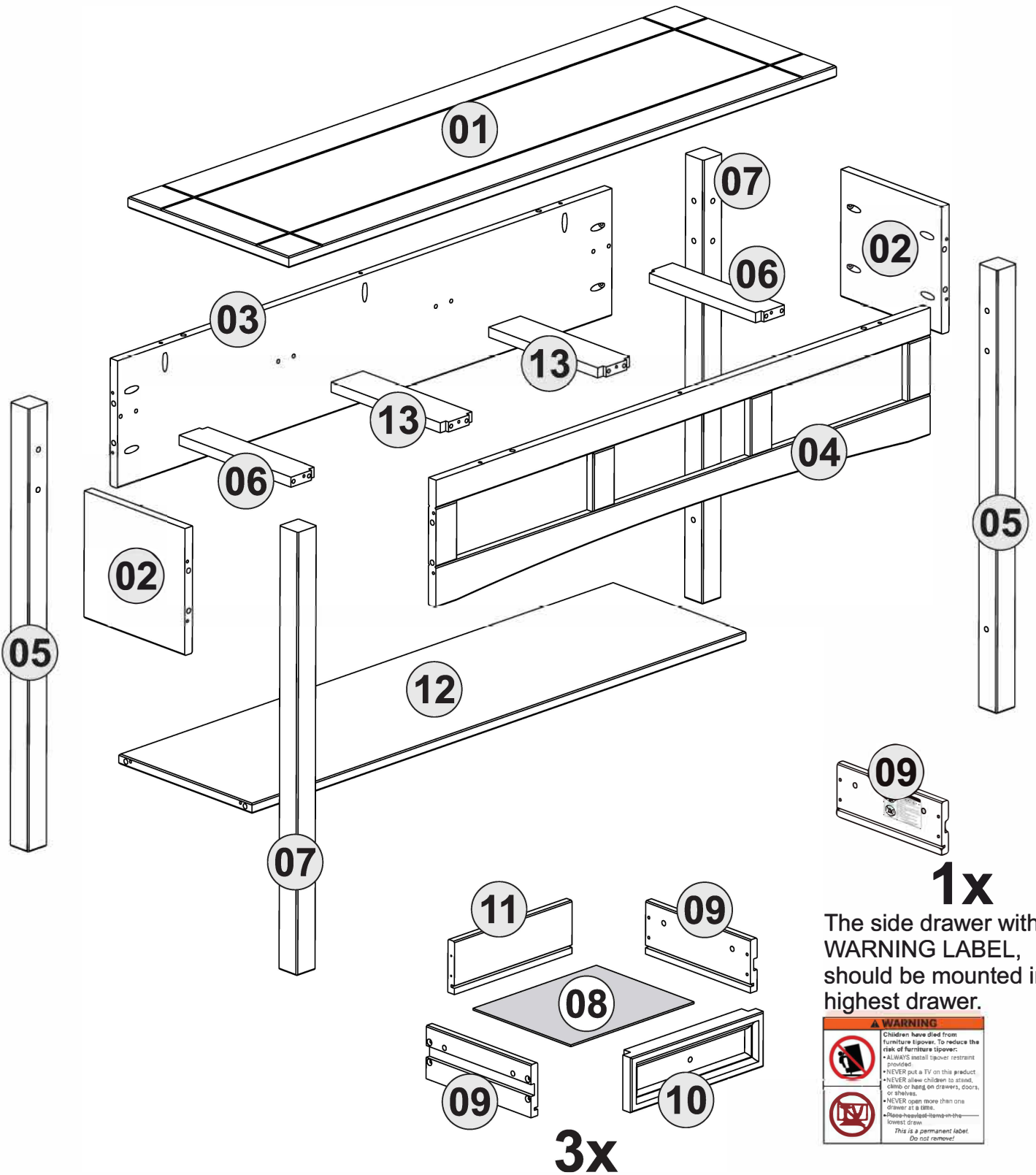
---



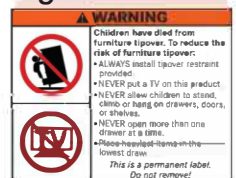
**IMPORTANT**  
**PLEASE READ BEFORE YOU CONTINUE FURTHER**  
**FOR DOMESTIC USE ONLY**  
**CARE AND MAINTENANCE**

- After unpacking this product please keep the original packaging in case it needs to be returned for any reason.
- Please ensure all fittings and parts are present before commencing with assembly.
- We recommend that you lay a blanket or sheet on the floor to avoid damage to both your floor and the product.
- We strongly recommend that you keep children away from your work area.
- Assemble this product as close to its final position as possible
- Never drag or push products as this could cause damage to the joints making it inferior.
- Do not drag or push items across your furniture as this may cause the surface to scratch.
- Do not place this product next to radiator or in direct sunlight.
- Wood is a natural product and may expand if subjected to damp and may shrink or crack if subjected to heat. Therefore it is recommended that room temperature is maintained, with no sudden temperature fluctuations.
- Make sure any spillage is Wiped off immediately.
- Do not place hot or chilled items directly on to the surface, use a place mat or marking will occur.
- For general cleaning use soft cotton or micro fibre cloth and do not use detergents of any kind.
- Do not place on a wet or damp floor as staining may occur to your floor.
- From time to time it may be necessary to tighten fittings, regular inspections should be carried out.

# HOW TO ASSEMBLY THIS PRODUCT



**1x**  
 The side drawer with  
 WARNING LABEL,  
 should be mounted in  
 highest drawer.



# HOW TO ASSEMBLY THIS PRODUCT

***Please Note:***

The parts below have been stamped with the part number/color to help identify them during assembly

## PARTS LIST

Part Number	Part Description	Quantity	Carton
01	Top Panel	1	1/1
02	Side Panel	2	1/1
03	Back Panel	1	1/1
04	Front Frame	1	1/1
05	Right Leg	2	1/1
06	Drawer Runner	2	1/1
07	Left Leg	2	1/1
08	Drawer Bottom	3	1/1
09	Drawer Side	6	1/1
10	Front Drawer	3	1/1
11	Drawer Back	3	1/1
12	Fixed Shelf	1	1/1
13	Central Drawer Runner	2	1/1



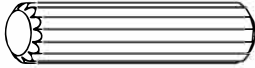



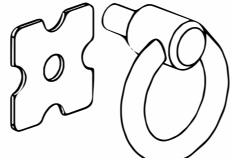



\* Use of power tools to assemble this product will invalidate any claim and damage this product making it unsafe !!!  
\* Please assemble on a clean soft surface to avoid damage.



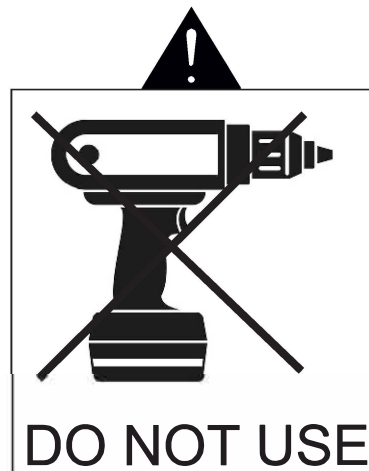
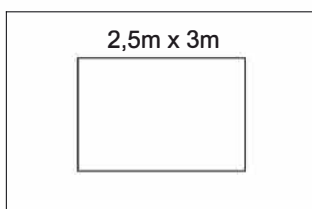
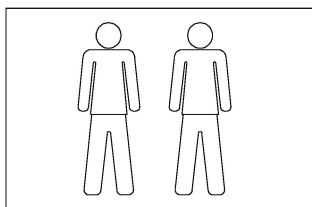
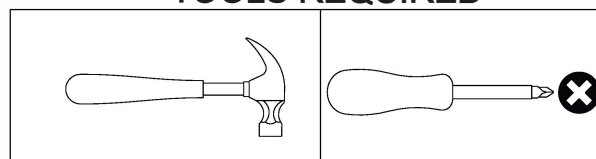
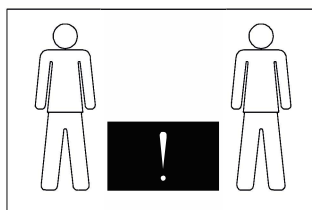
\* Please check contents and read the instructions before commencing assembly.  
\* Assemble this product following the enclosed instructions carefully.  
\* Please take care to avoid damaging panels during assembly.

# HOW TO ASSEMBLY THIS PRODUCT

## FITTINGS

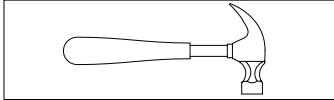
A	 $\text{Ø}8 \times 30\text{mm}$	30
B	 $\text{Ø}3,5 \times 35\text{mm}$	35
C	 $\text{Ø}3,0 \times 30\text{mm}$	24
F	 $3/16 \times 5/8$	03
G		03
I	 $\text{Ø}6 \times 30\text{mm}$	16
K	 Strap	01
L	 Washer	02

### TOOLS REQUIRED



# STEP 1

## TOOLS REQUIRED

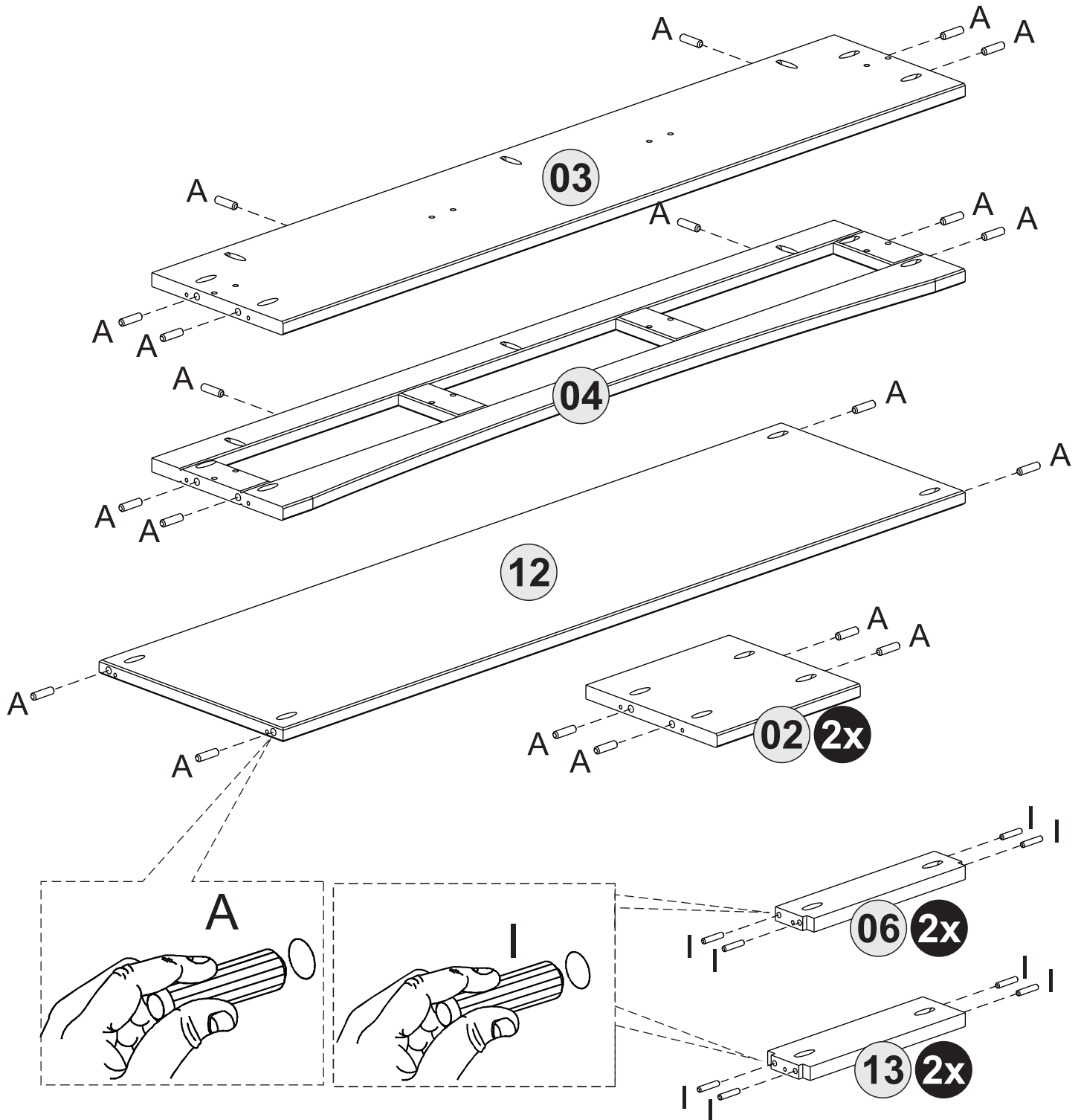


## PARTS REQUIRED

2 - SIDE PANEL	x2
3 - BACK PANEL	x1
4 - FRONT FRAME	x1
6 - DRAWER RUNNER	x2
12 - FIXED SHELF	x1
13 - CENTRAL DRAWER RUNNER	x2

## HARDWARE REQUIRED

<b>A</b>		<b>24</b>
<b>I</b>		<b>16</b>



# STEP 2

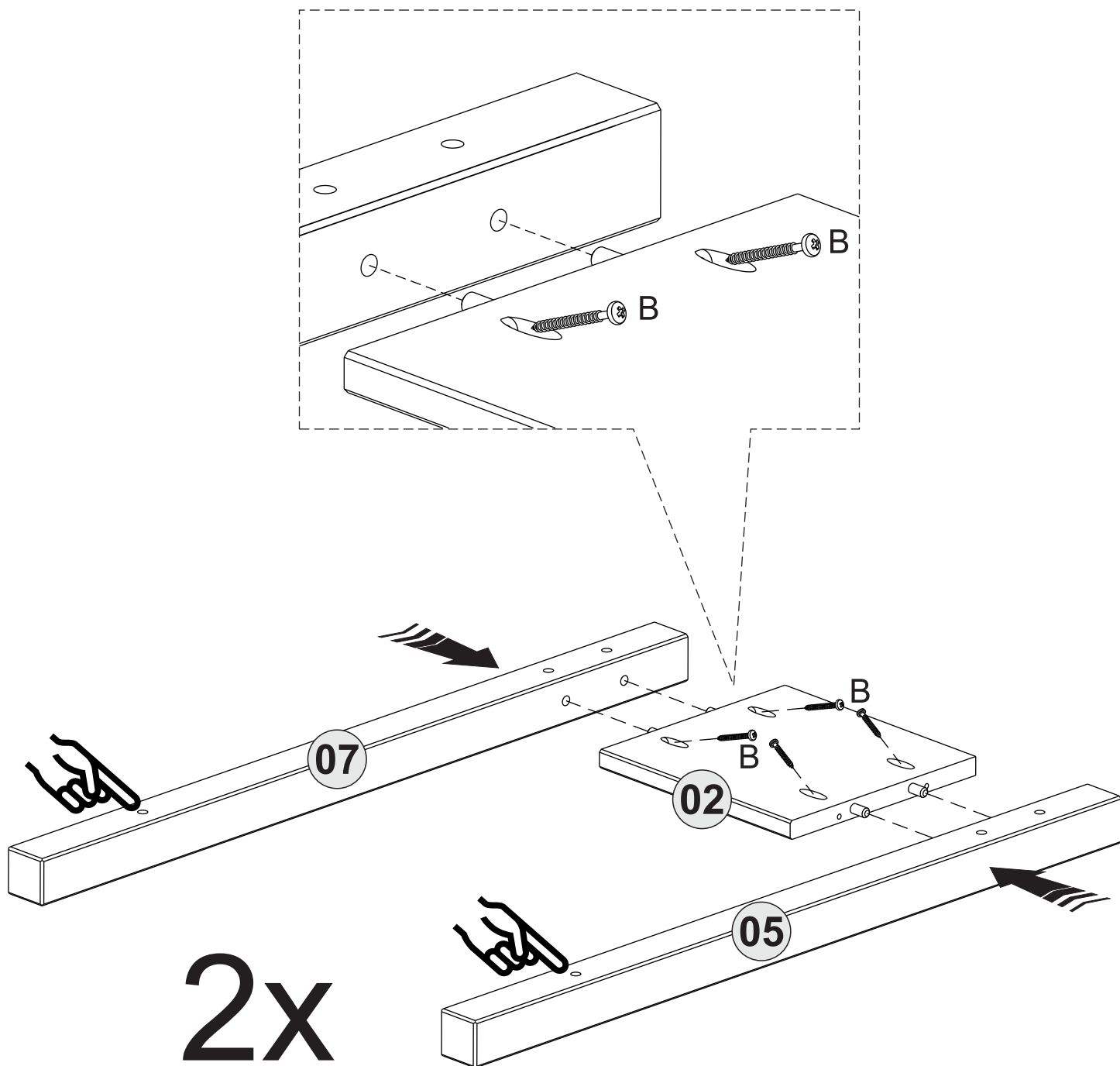
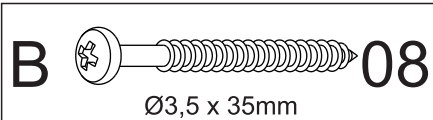
## TOOLS REQUIRED



## PARTS REQUIRED

2 - SIDE PANEL	x2
5 - RIGHT LEG	x2
7 - LEFT LEG	x2

## HARDWARE REQUIRED

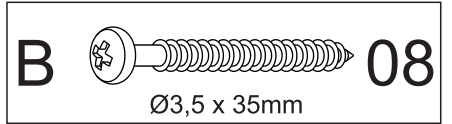


# STEP 3

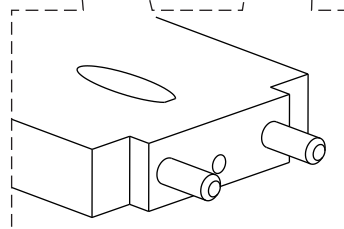
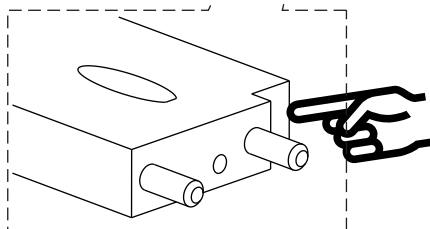
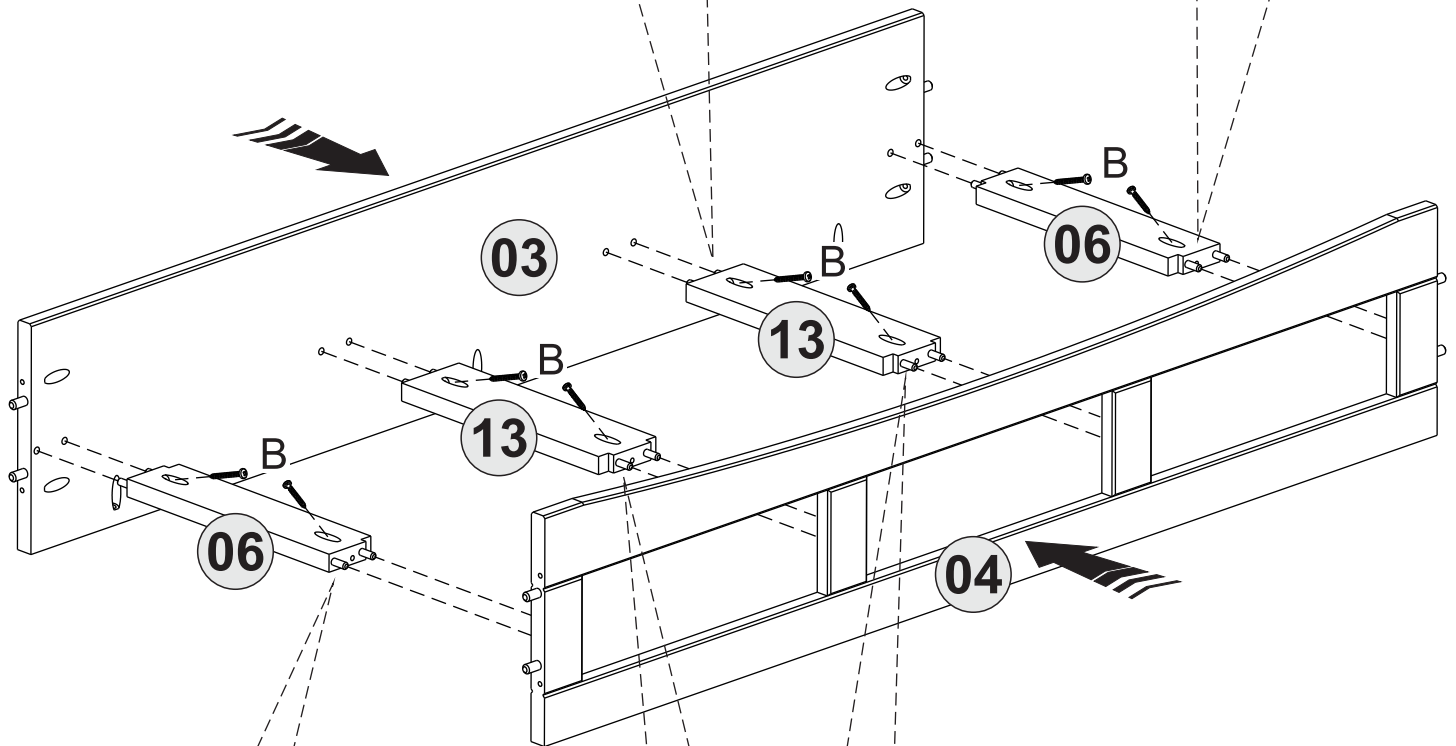
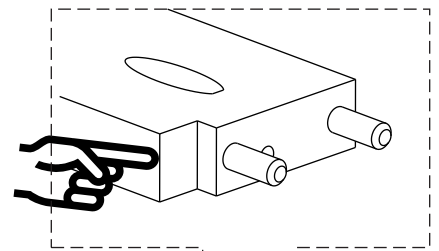
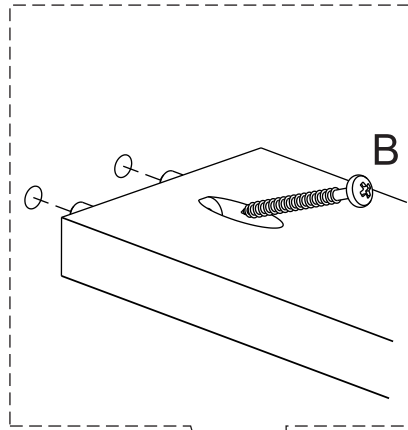
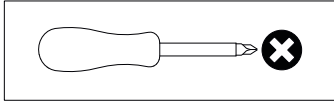
## PARTS REQUIRED

3 - BACK PANEL	x1
4 - FRONT FRAME	x1
6 - DRAWER RUNNER	x2
13 - CENTRAL DRAWER RUNNER	x2

## HARDWARE REQUIRED



## TOOLS REQUIRED



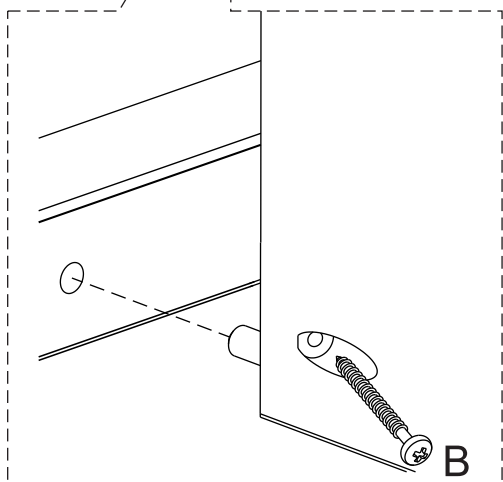
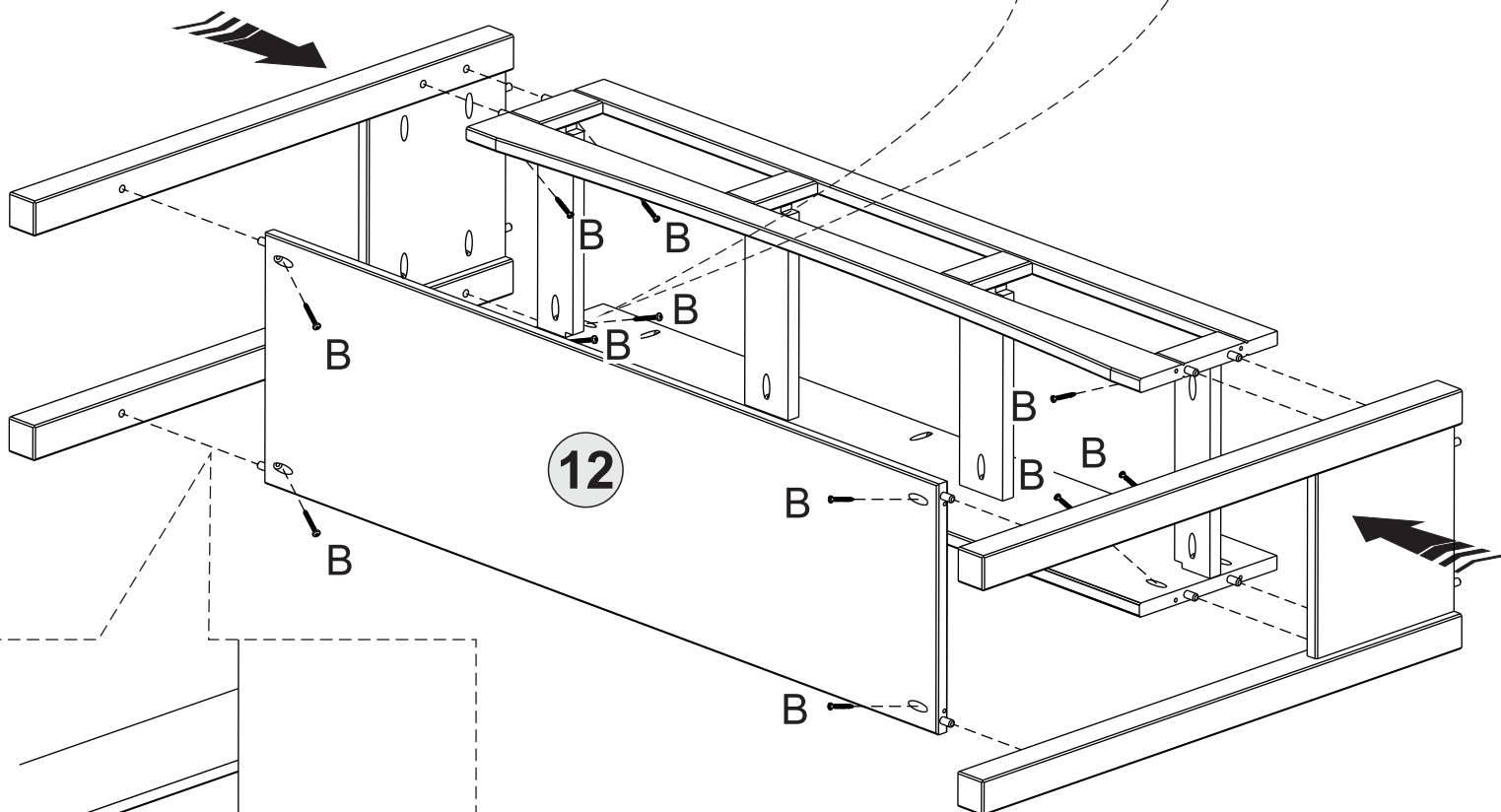
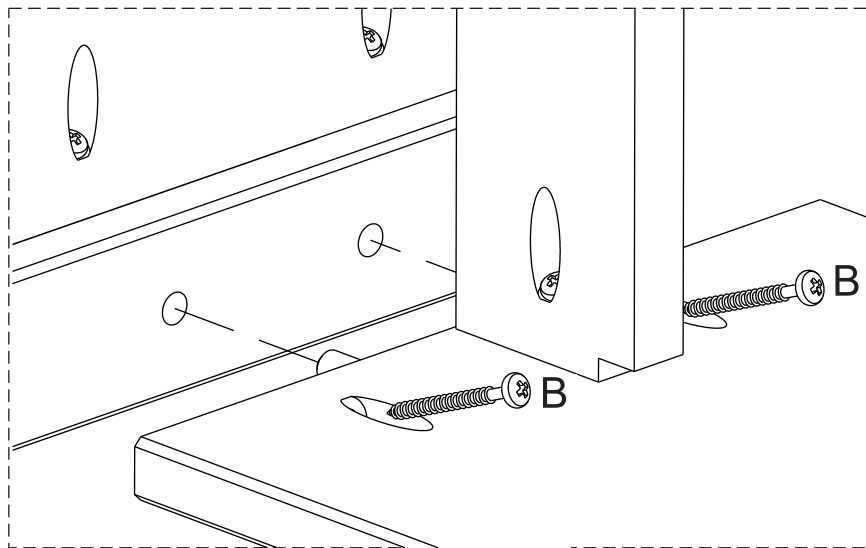
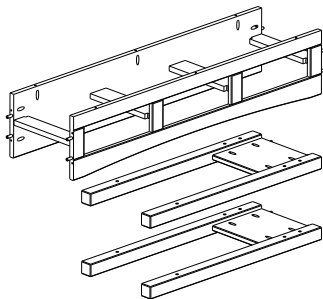
# STEP 4

PARTS REQUIRED  
12 - FIXED SHELF x1

HARDWARE REQUIRED

B  12  
Ø3,5 x 35mm

TOOLS REQUIRED



# STEP 5

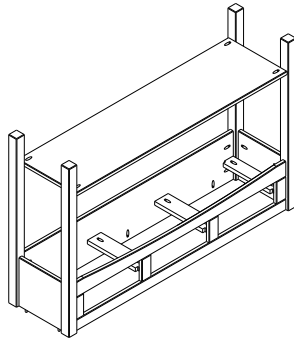
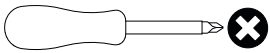
## PARTS REQUIRED

1 - TOP PANEL **x1**

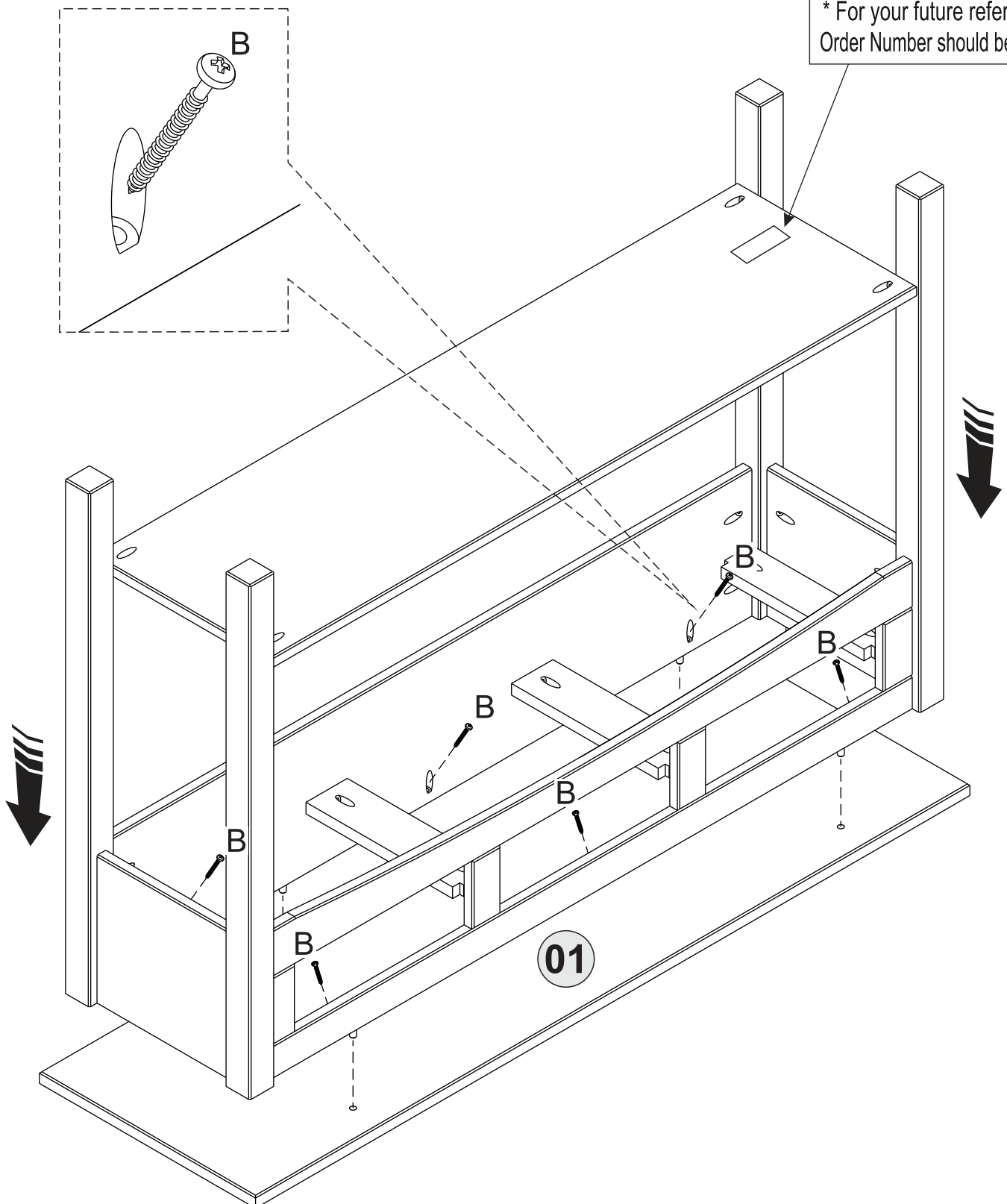
## HARDWARE REQUIRED

**B**  **06**  
Ø3,5 x 35mm

## TOOLS REQUIRED



\* For your future reference  
Order Number should be here




# STEP 6

## PARTS REQUIRED

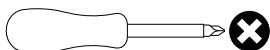
9 - DRAWER SIDE **x6**

10 - FRONT DRAWER **x3**

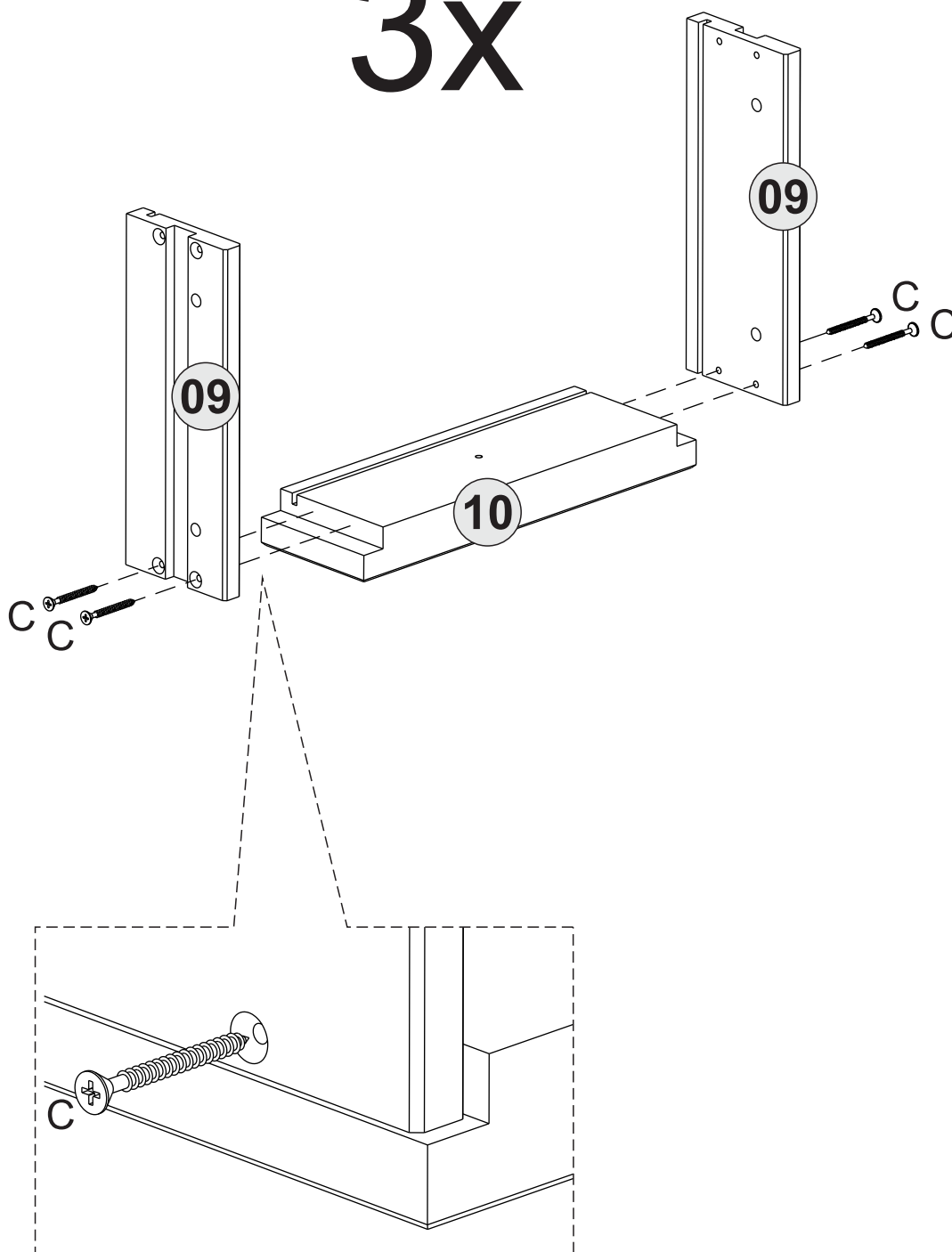
## HARDWARE REQUIRED

**C**  **12**  
Ø3,0 x 30mm

## TOOLS REQUIRED



# 3x




# STEP 7

## PARTS REQUIRED

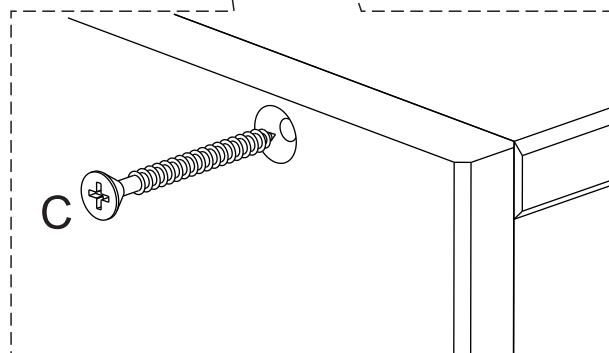
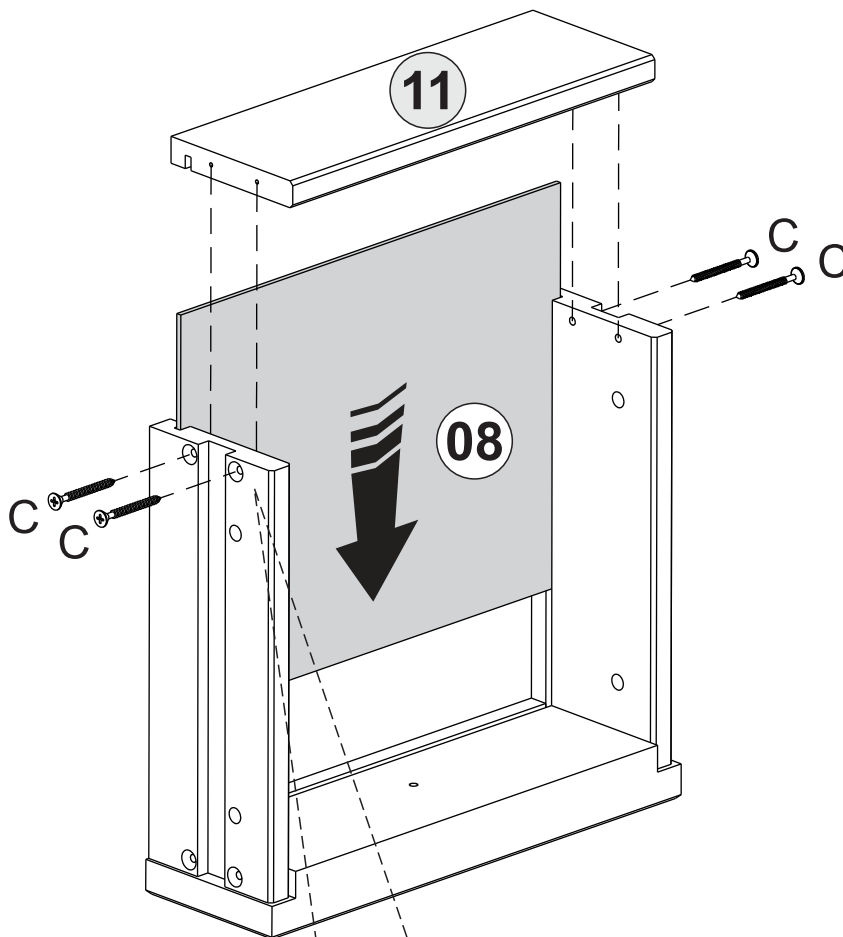
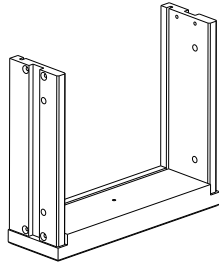
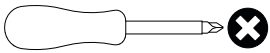
8 - DRAWER BOTTOM **x3**

11 - DRAWER BACK **x3**

## HARDWARE REQUIRED

**C**  **12**  
Ø3,0 x 30mm

## TOOLS REQUIRED

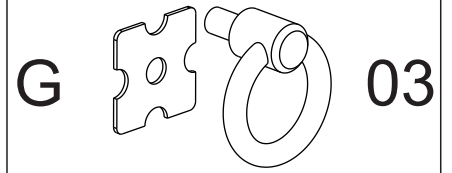
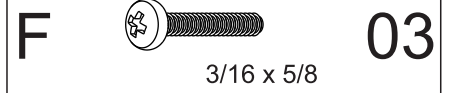
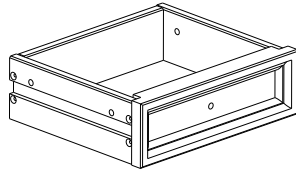
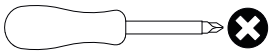


# STEP 8

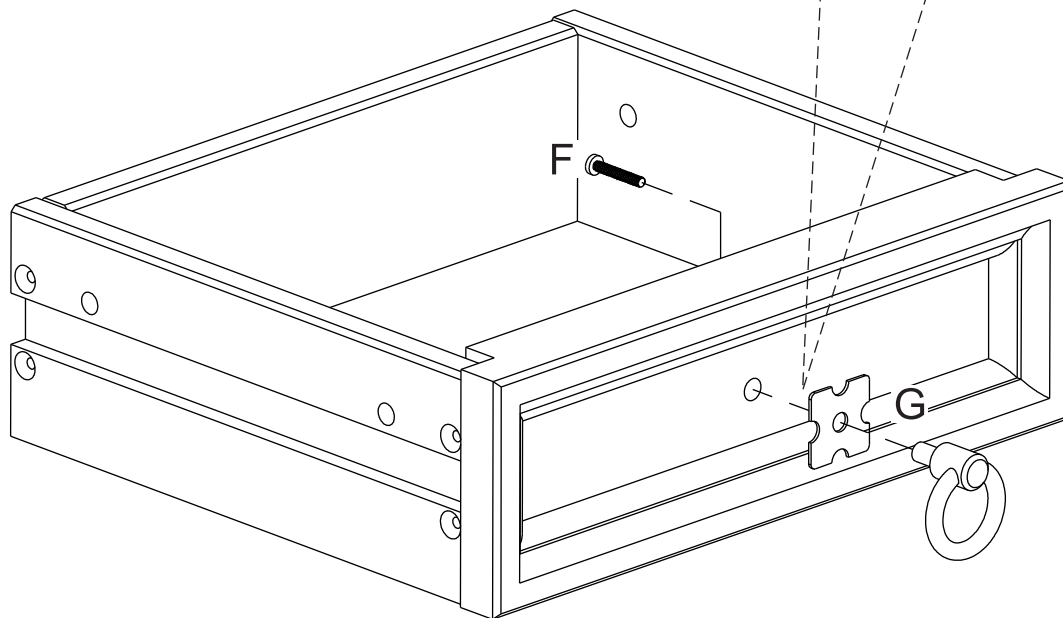
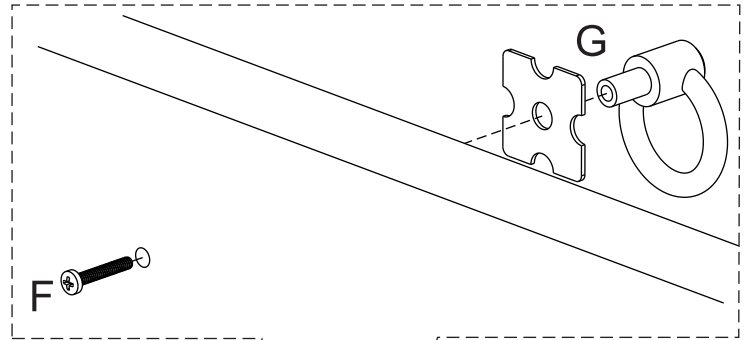
## PARTS REQUIRED

## HARDWARE REQUIRED

### TOOLS REQUIRED



**3x**

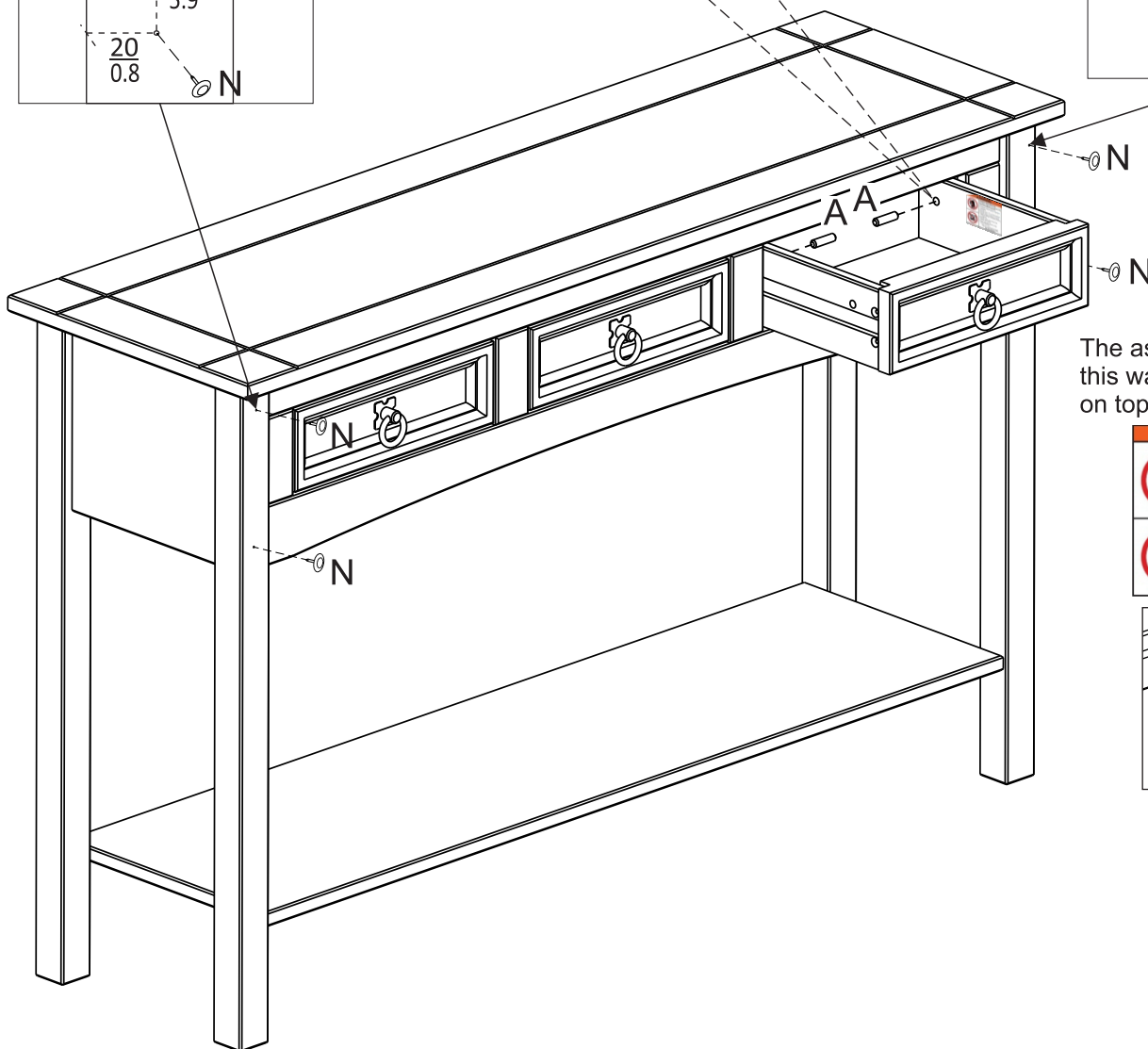
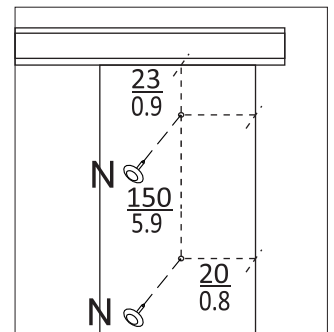
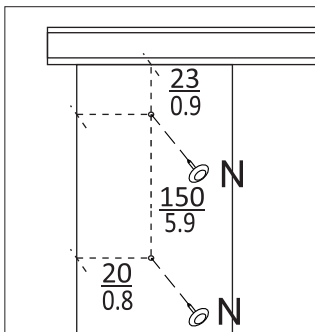
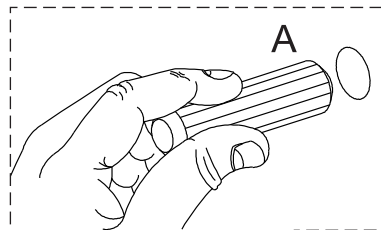
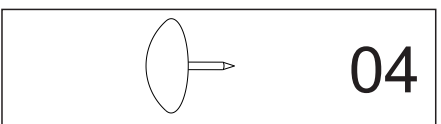
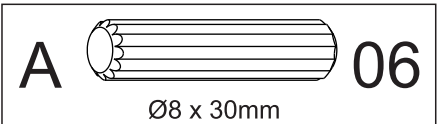
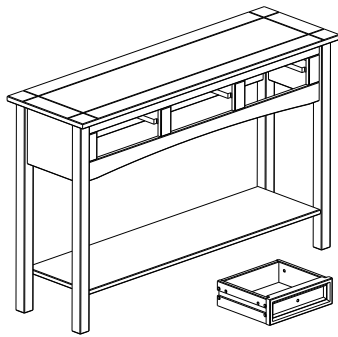
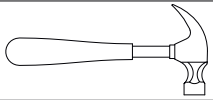


# STEP 9

## PARTS REQUIRED

## HARDWARE REQUIRED

### TOOLS REQUIRED



The assembled drawer with this warning must be placed on top of the unit.

**WARNING**

Children have died from furniture tipover. To reduce the risk of furniture tipover:

- ALWAYS install tipover restraint provided.
- NEVER put a TV on this product.
- NEVER allow children to stand, climb or hang on drawers, doors, or shelves.
- NEVER open more than one drawer at a time.
- Place heaviest items in the lowest drawers.

*This is a permanent label. Do not remove!*



# WARNING

**Serious or fatal injuries can occur from furniture tipping over. To prevent the furniture from tipping over we recommend that it is permanently fixed to the wall.**

Wall fixings are not supplied with this product as different wall materials require different types of fixing devices.

Please make sure you use fixings suitable for the walls in your home.

