



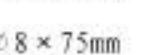






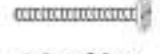

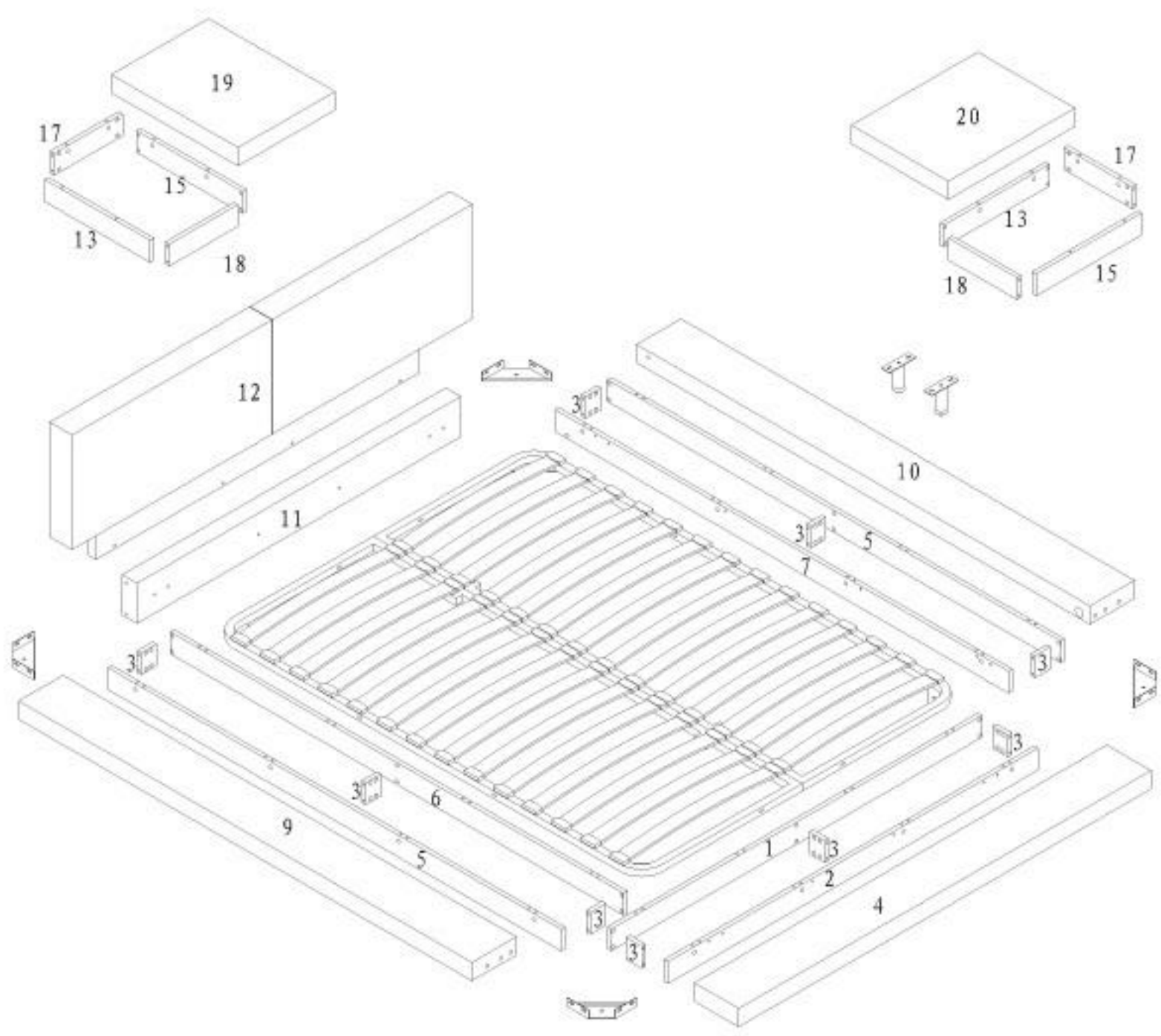
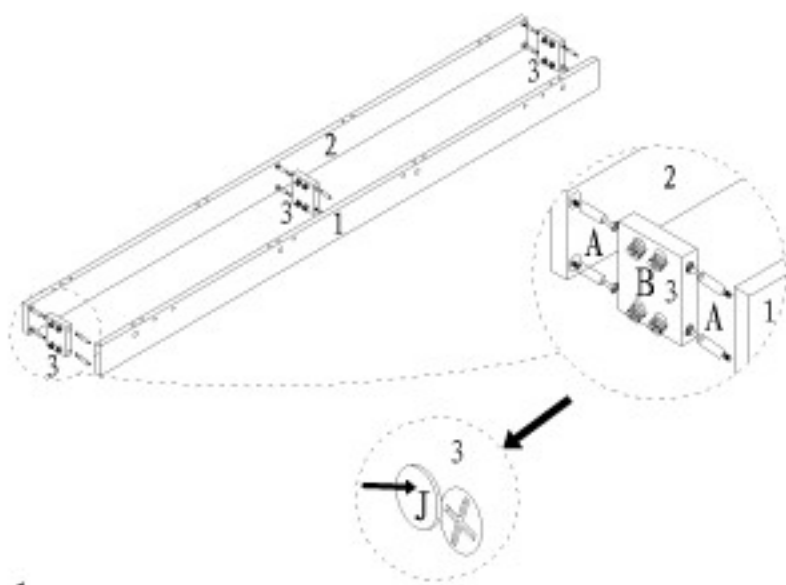


| | | |
|---|--|---|
|  Ø 15mm A × 90 |  Ø 15mm B × 90 |  Ø 8 × 40mm C × 24 |
|  Ø 10 × 40mm D × 4 |  Ø 8 × 75mm E × 4 |  F × 4 |
|  G × 4 |  H × 4 |  J × 90 |
|  Ø 6 × 15mm K × 16 |  Ø 30 × 5mm L × 8 |  Ø 6 × 50mm M × 16 |

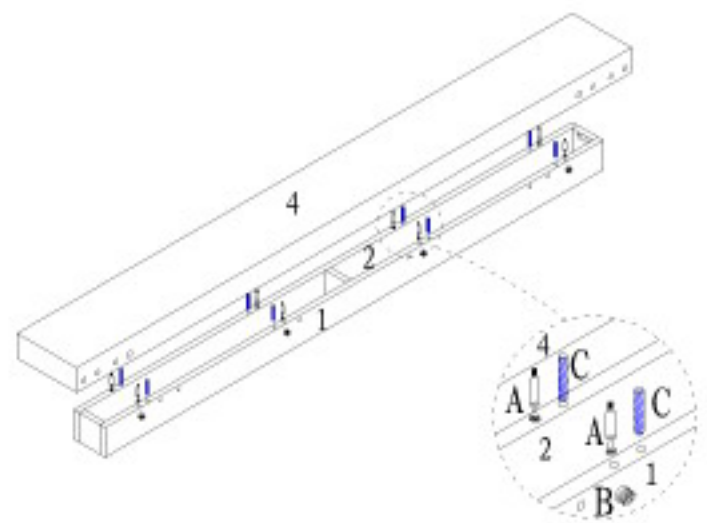


Please put "J" on "B"
Repeat this step for NO.1

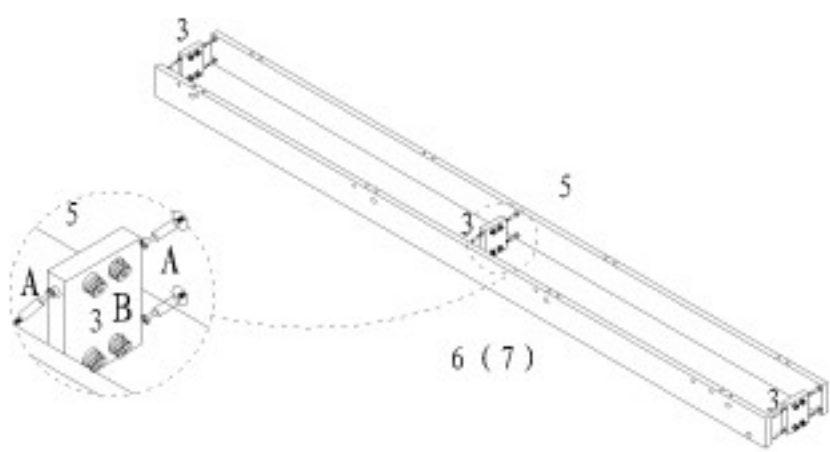




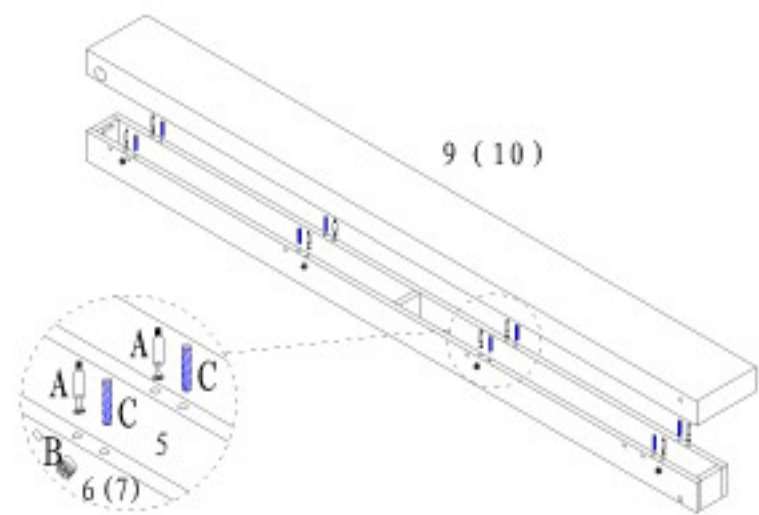
No. 1



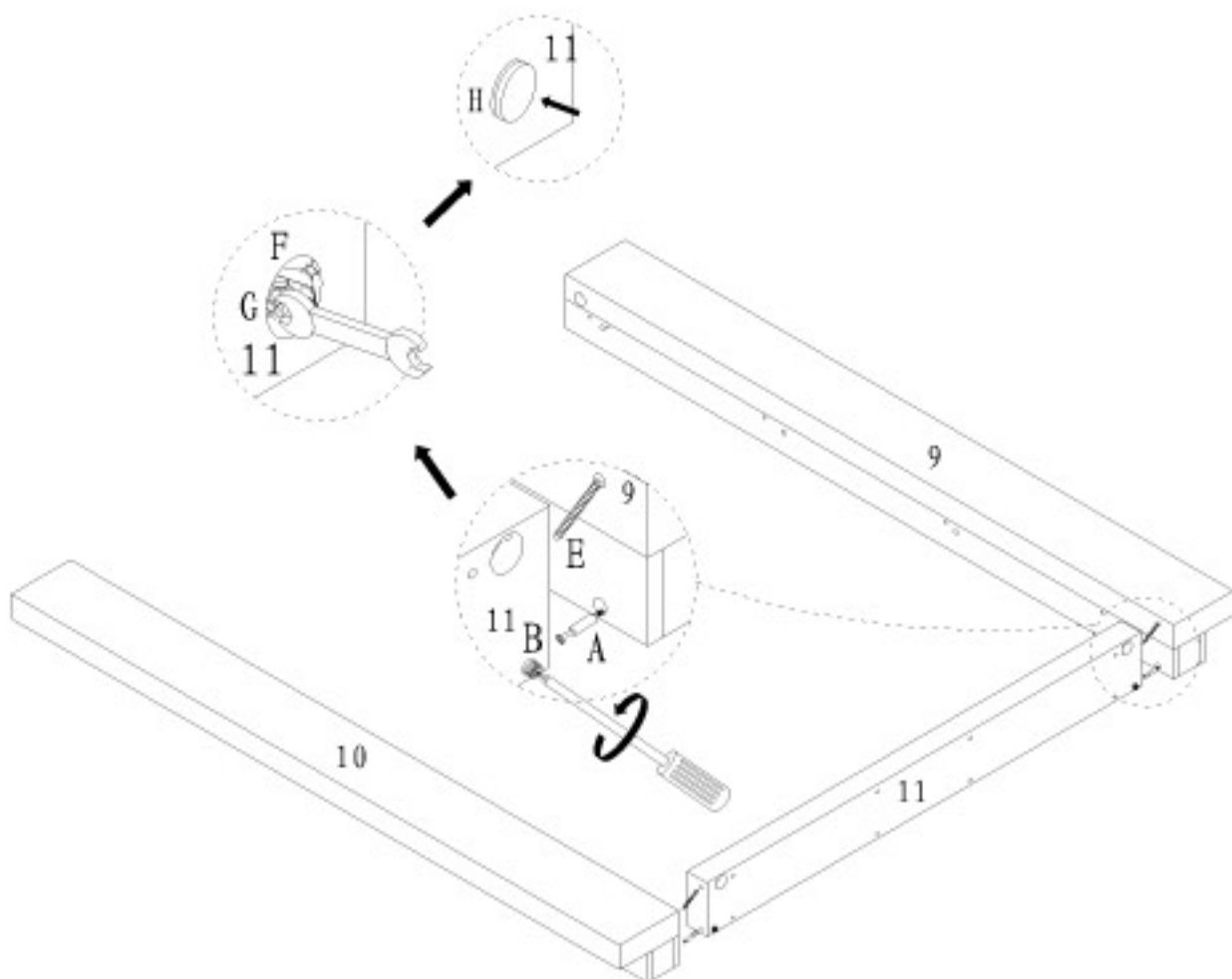
No. 2



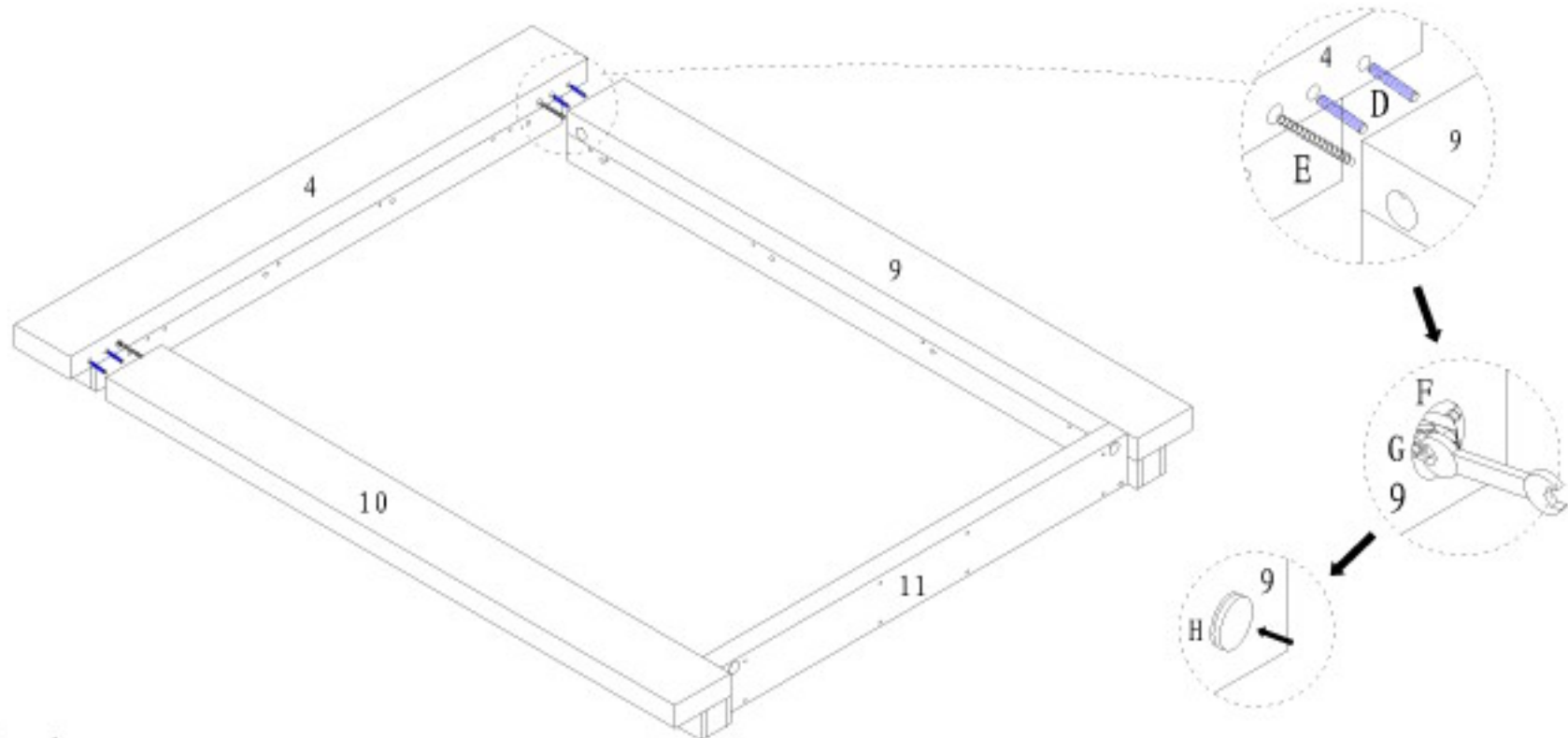
No. 3



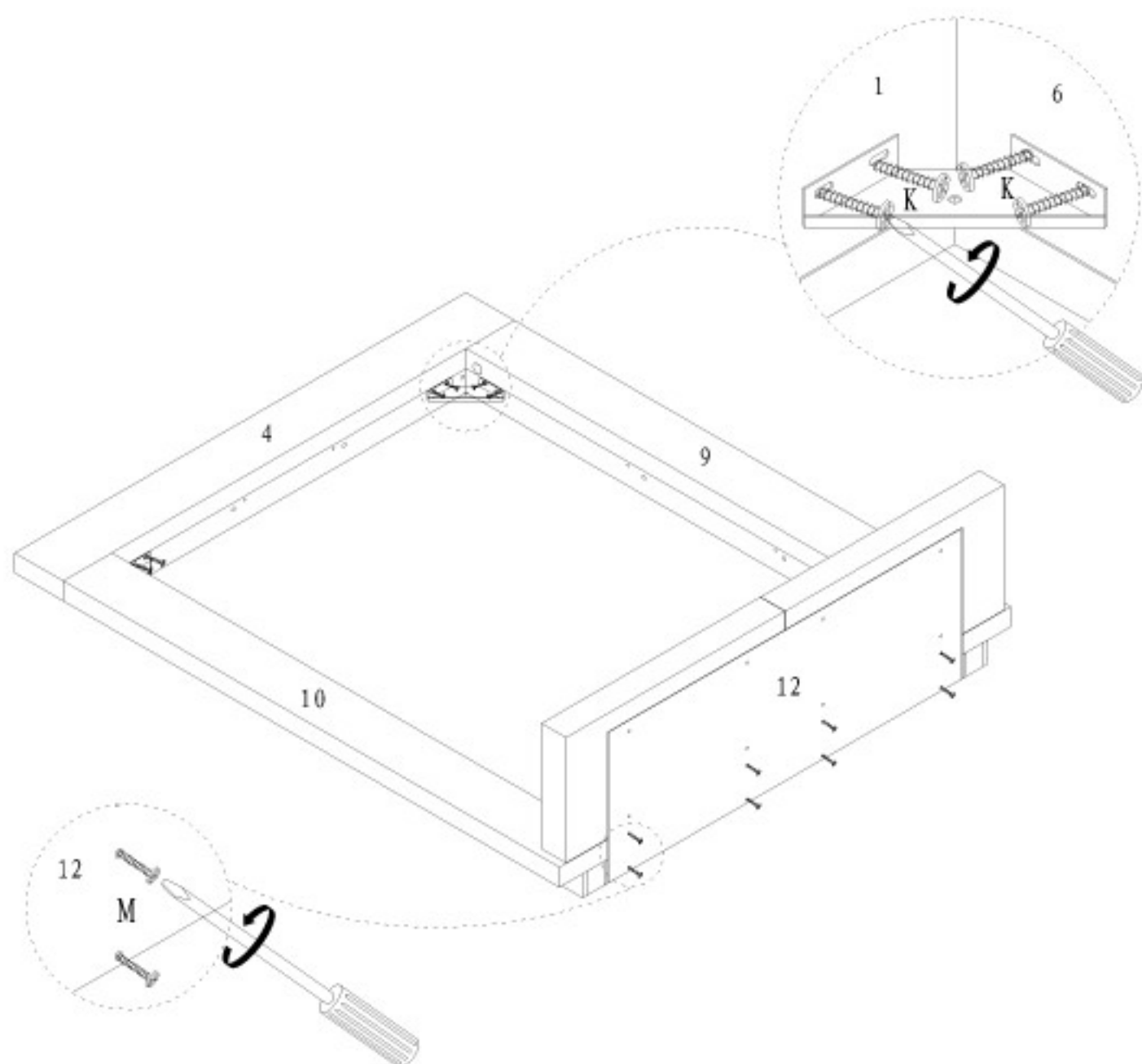
No. 4



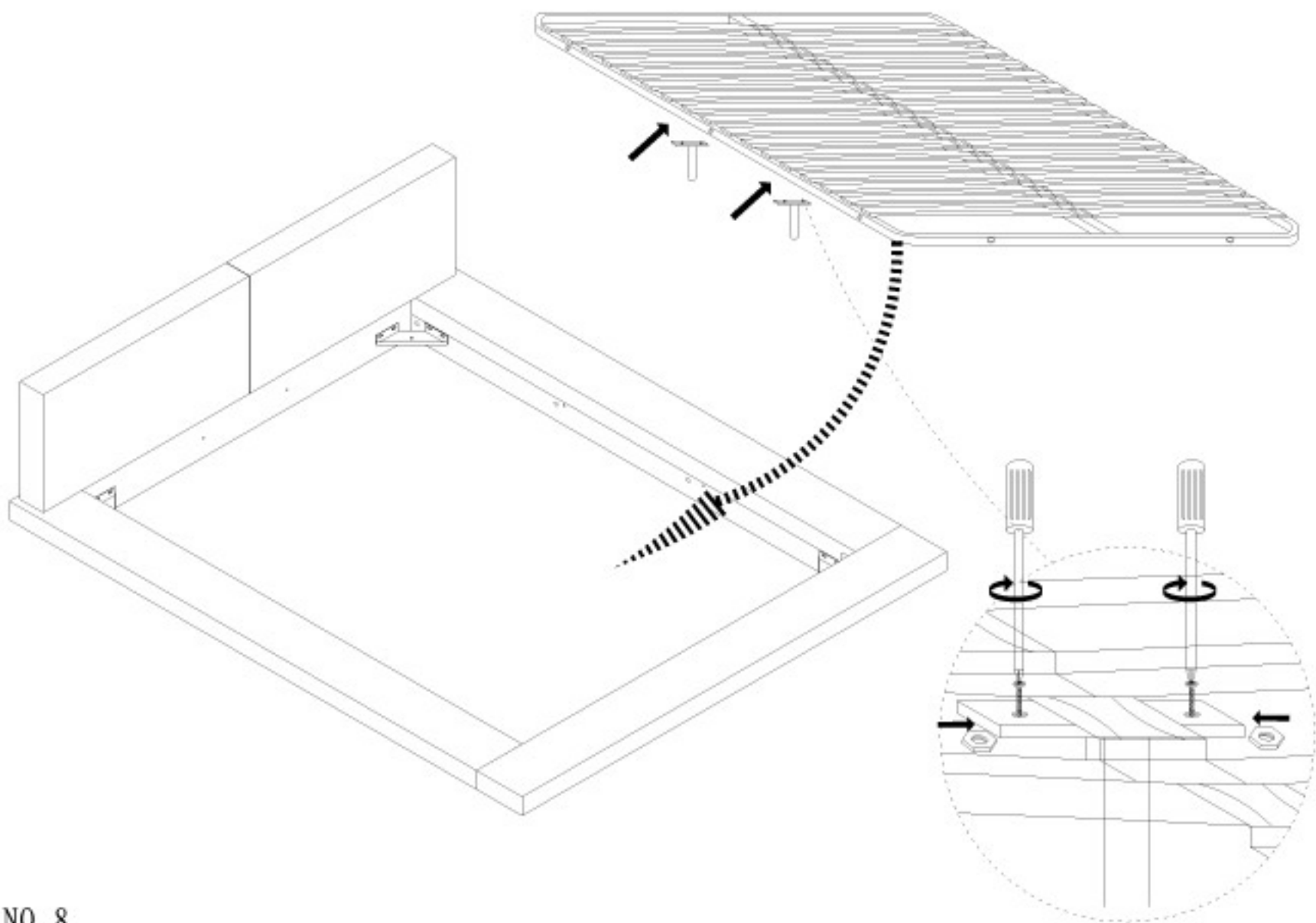
No. 5



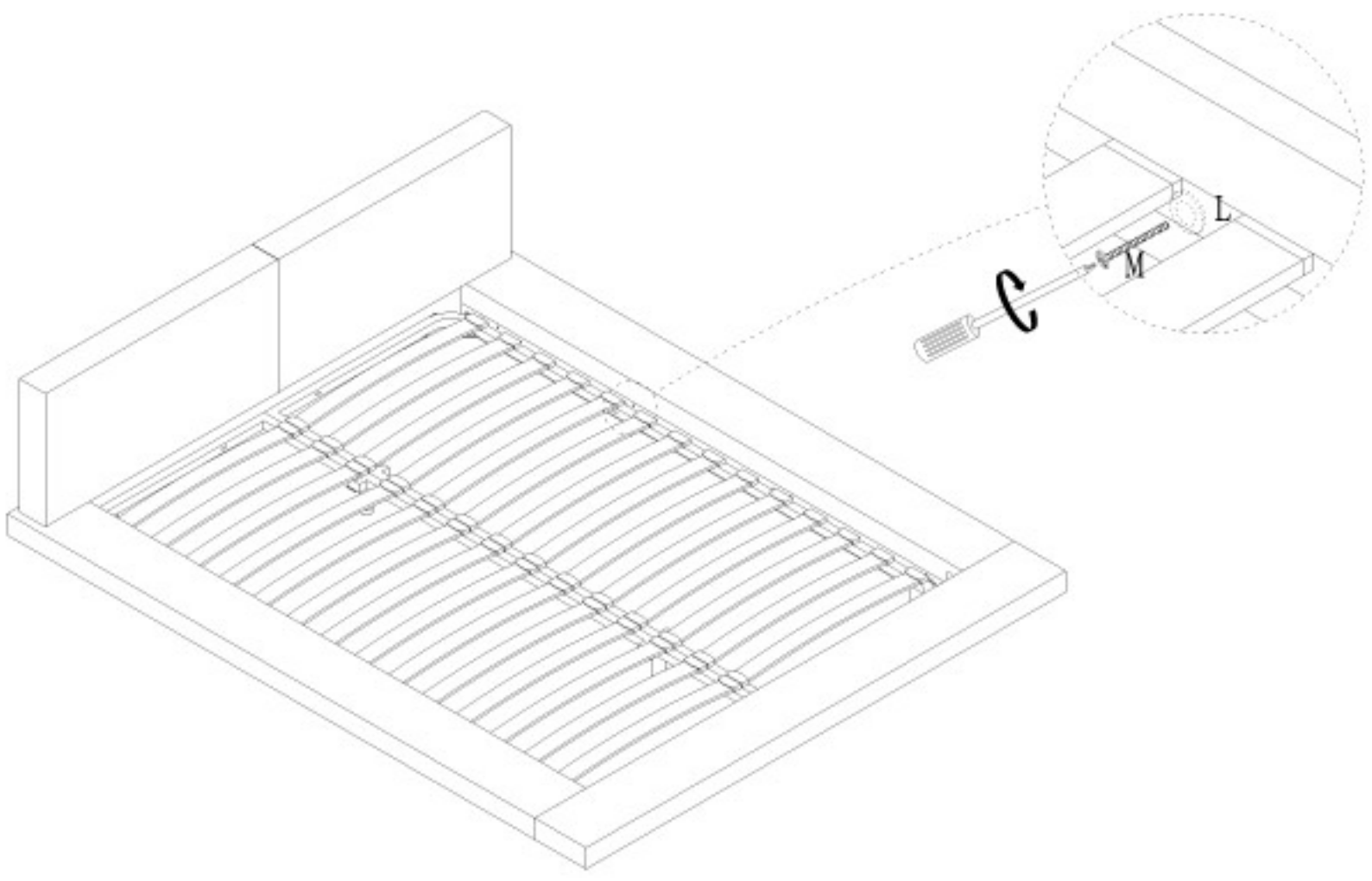
No. 6



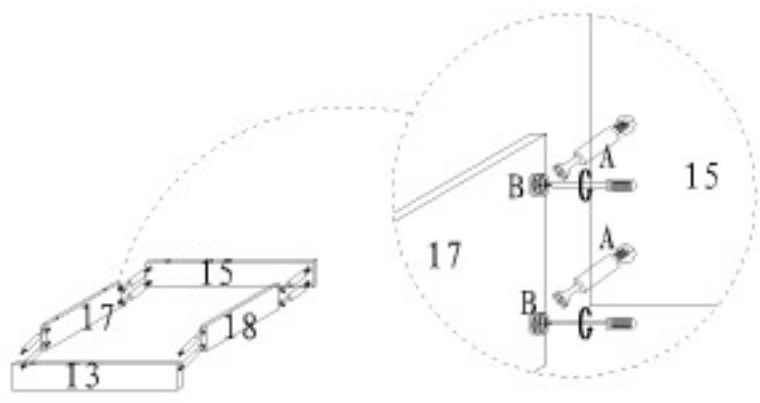
No. 7



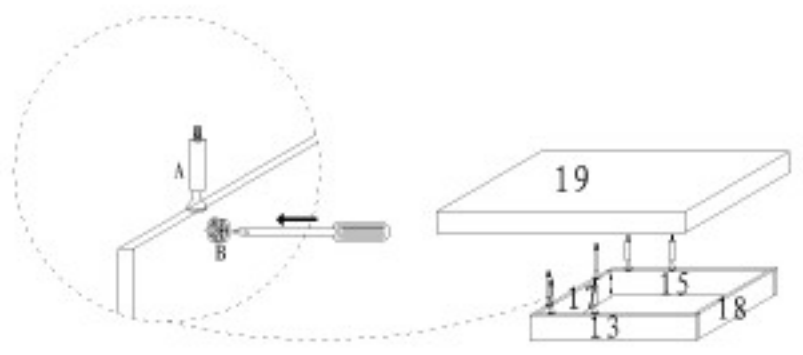
NO. 8



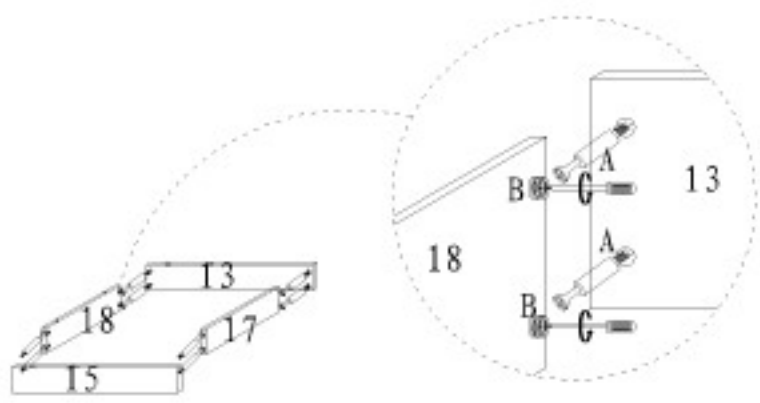
NO. 9



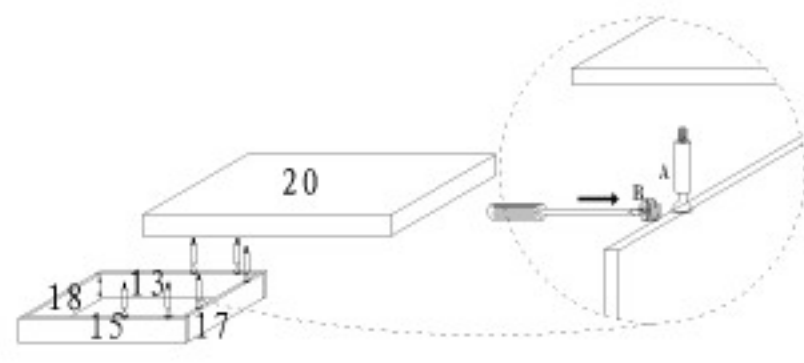
NO. 10



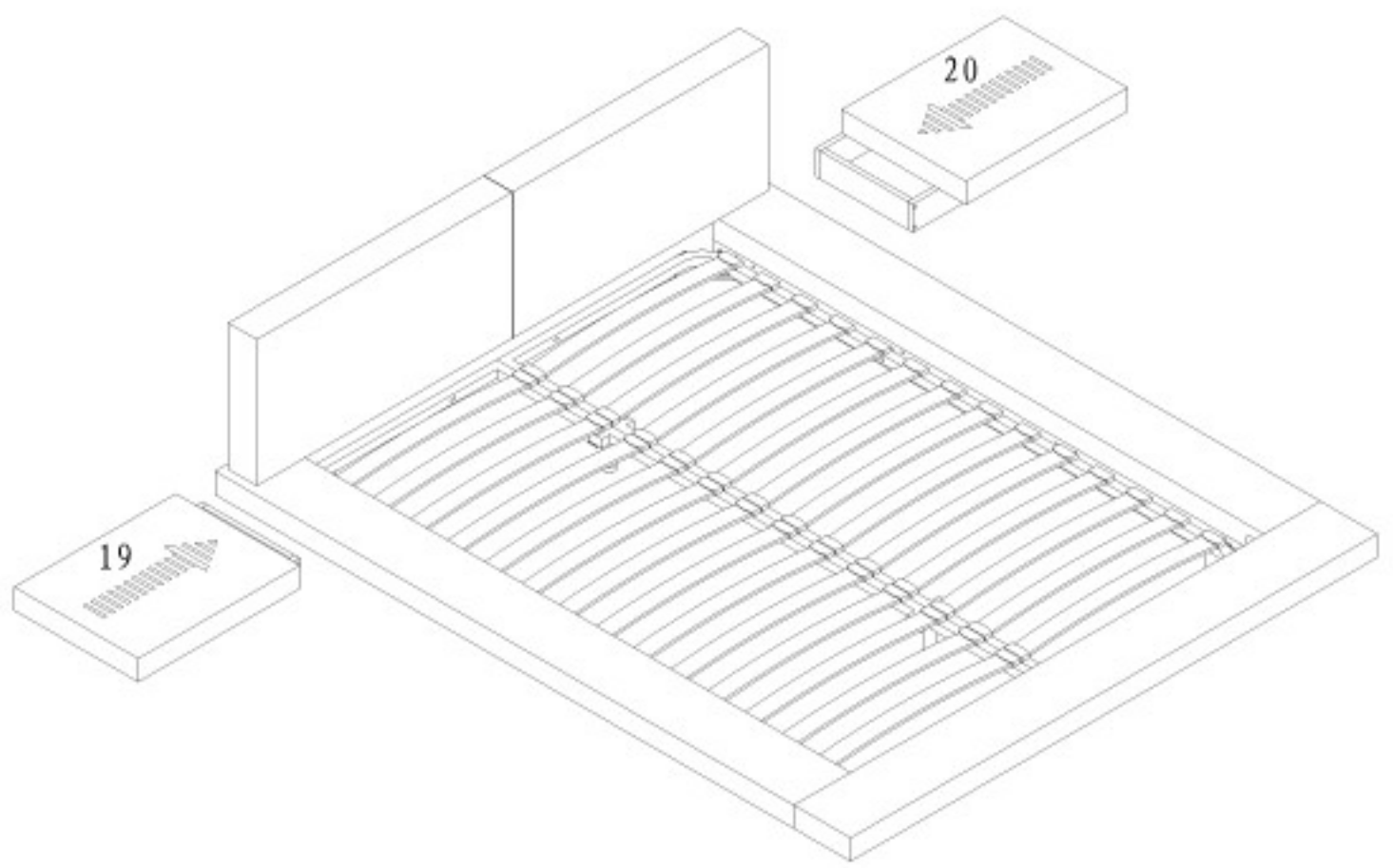
NO. 11



NO. 12



NO. 13



NO. 14