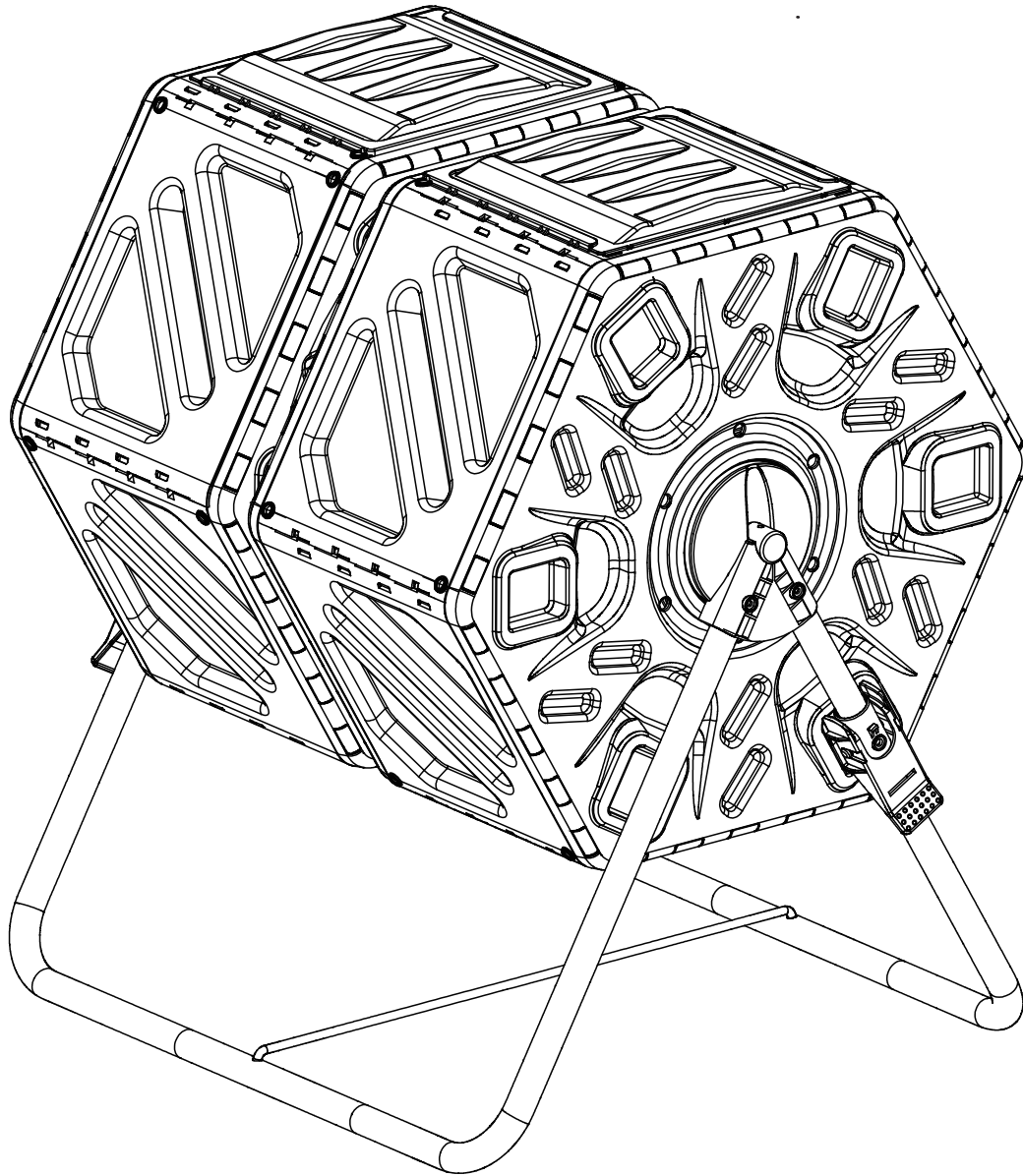


ZJXD-V 1

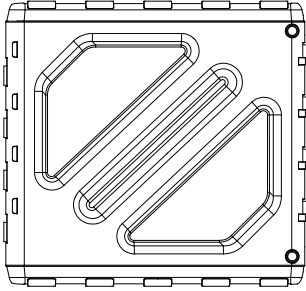
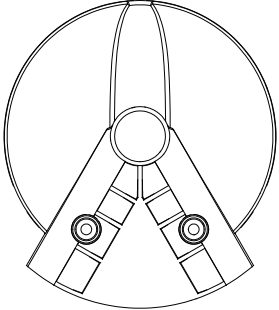
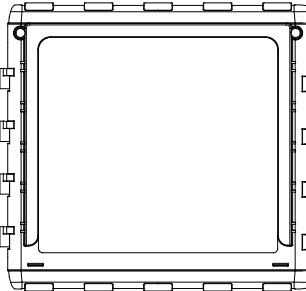
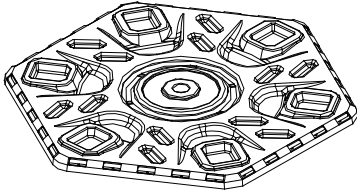
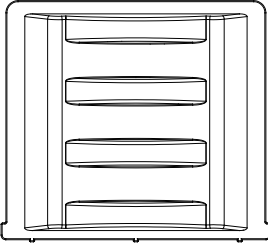

FTPLDB-5001

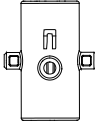
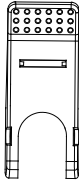
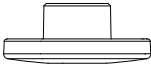
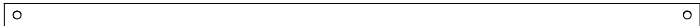




DUAL CHAMBER COMPOST TUMBLER

**⚠ Once installed, the product cannot be detached. Strictly follow each step in the installation manual.**

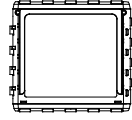
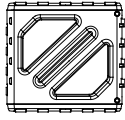
1. Gather and organize all required parts prior to assembly.
2. Assemble on a flat, clean and soft surface.
3. Please prepare rubber mallet in advance for convenient installation.
4. The product's structure prevents it from being conveniently assembled in low temperatures, so do not intentionally install at low temperatures.
5. During installation, please refer to the accessories guides to ensure that they are installed in the correct directions.

Item no.	Reference Image	Qty.	Item no.	Reference Image	Qty.
<b>A</b>		X10	<b>D</b>		X2
<b>B</b>		X2	<b>G</b>		X4
<b>C</b>		X2	<b>L</b>		X2

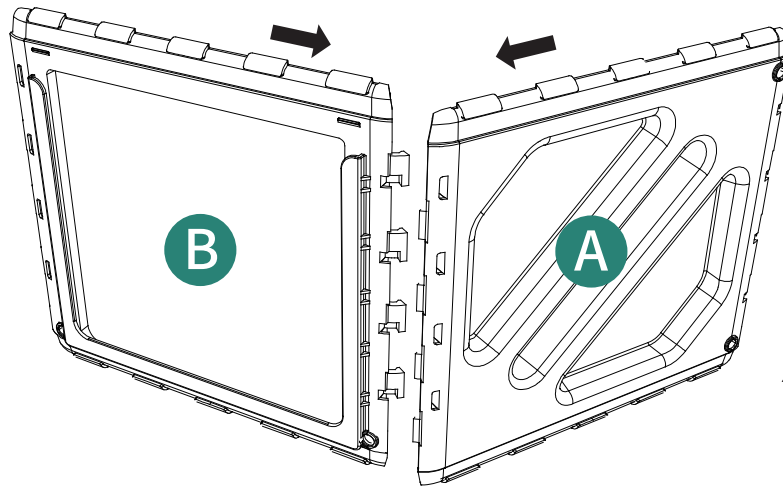
Item no.	Reference Image	Qty.
E		X2
F		X2
H		X2
J		X1
K		X1
1		X8

**1**

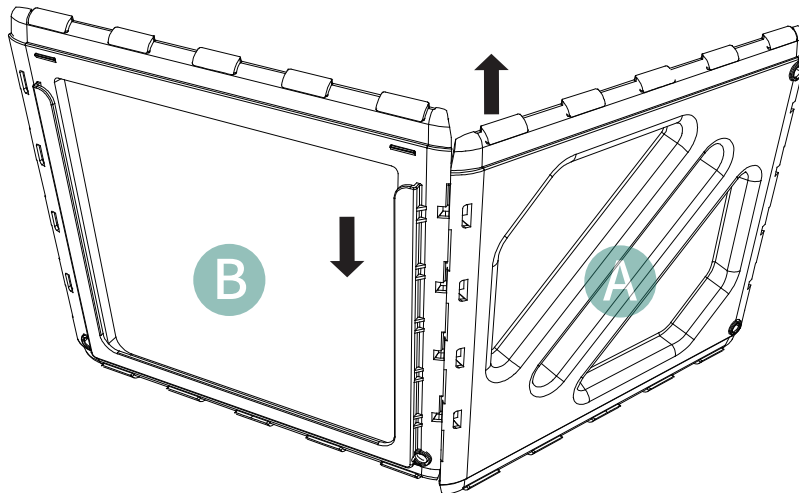
X2



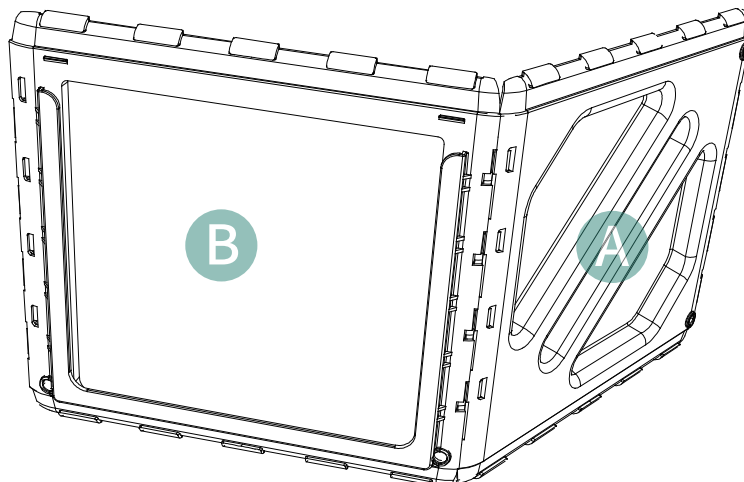
Ⓐ 2pcs Ⓑ 2pcs



1



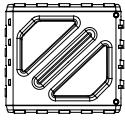
2



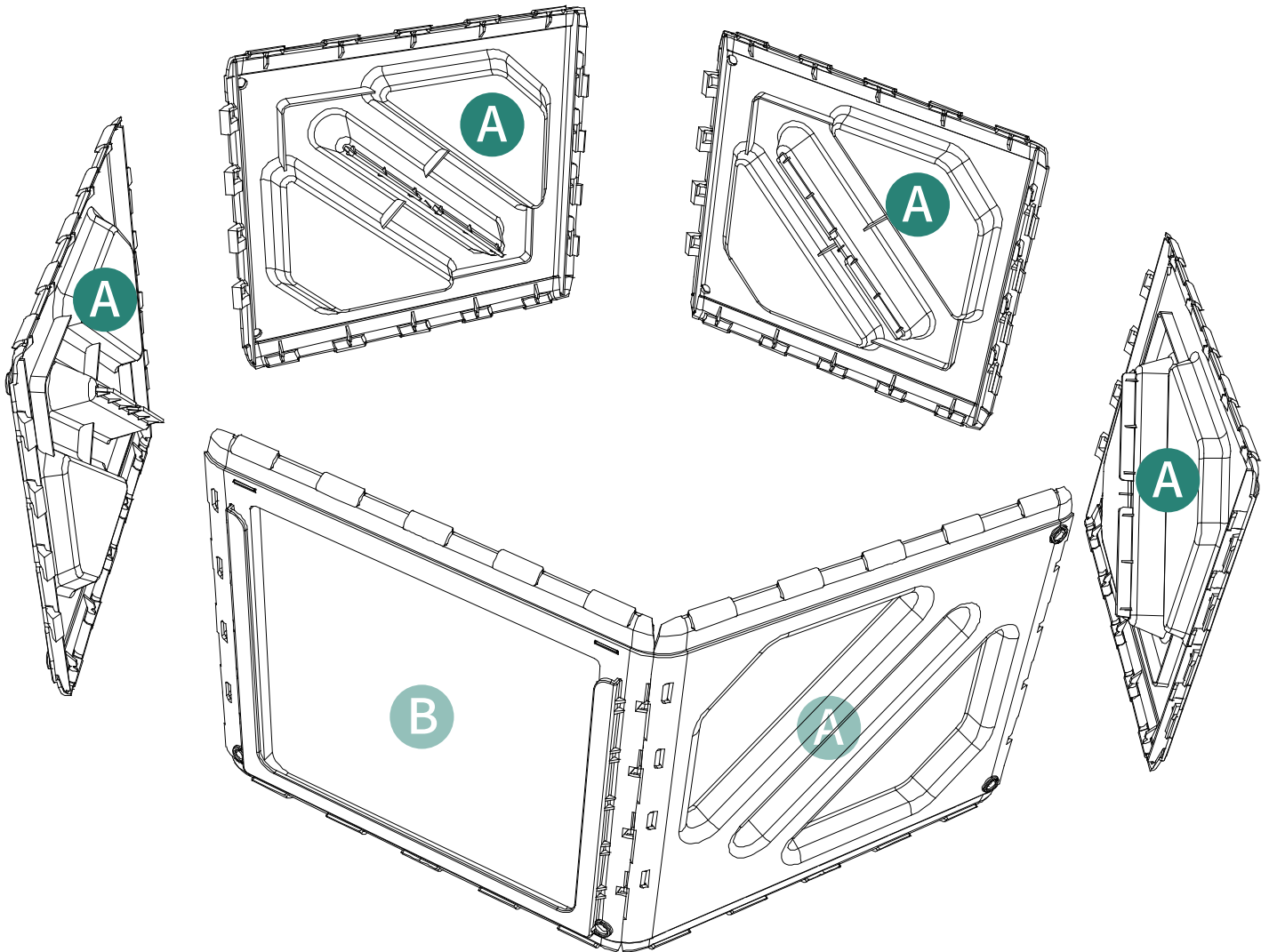
3

2

X2



(A) 8pcs



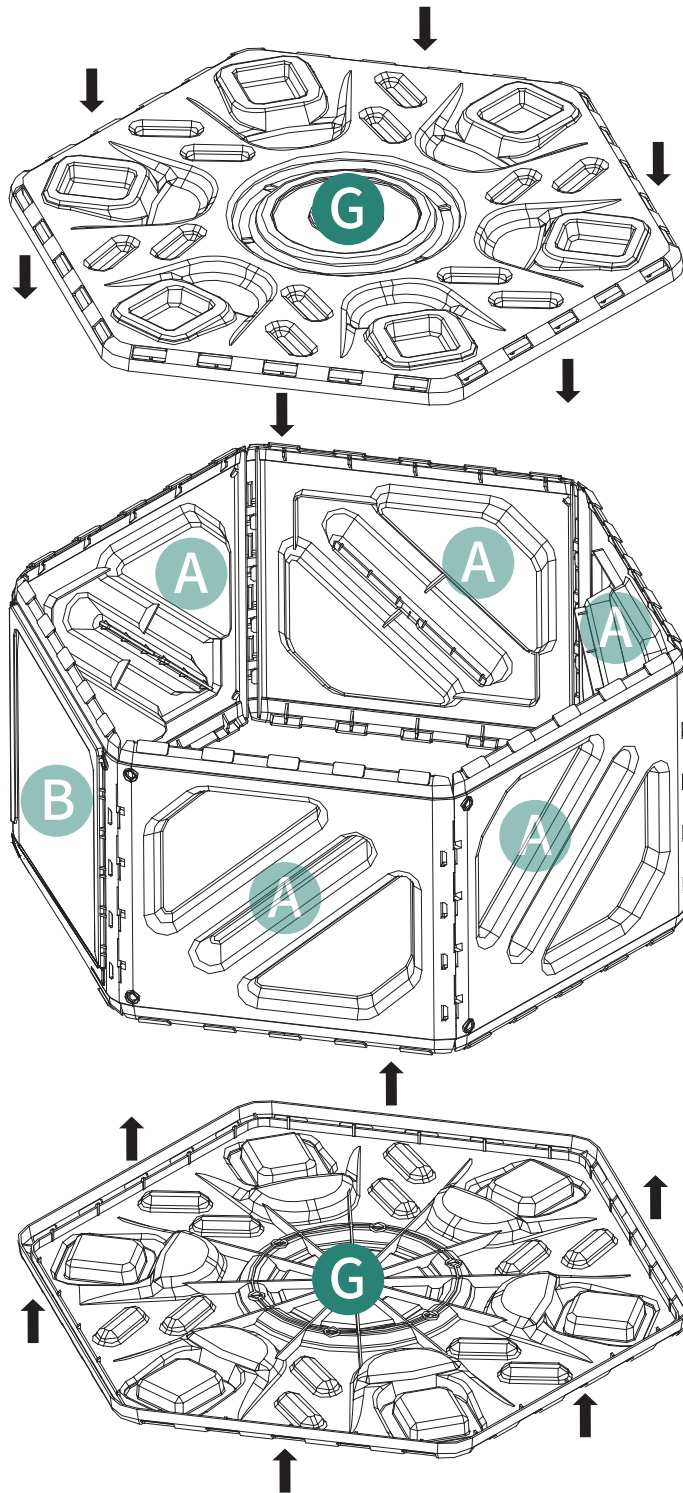
Install the remaining parts A by following the same installation method as step 1.

3

X2



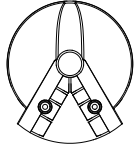
ⓐ4pcs



### 4



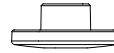
①C 2pcs



①D 2pcs



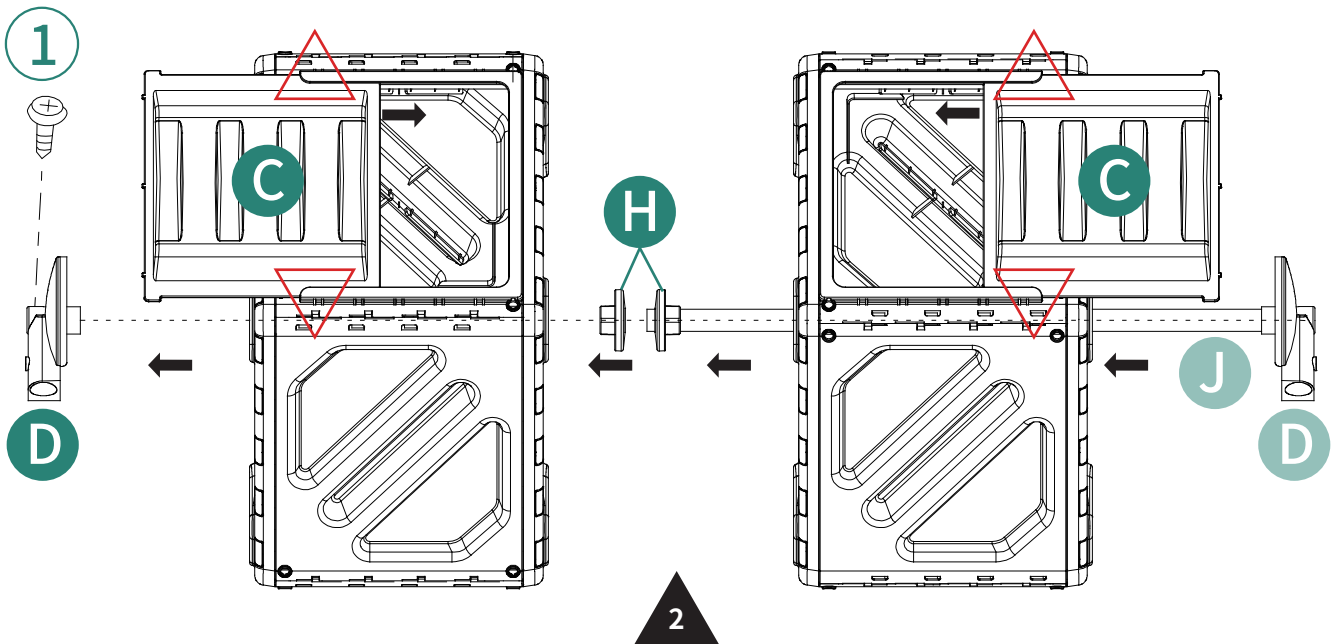
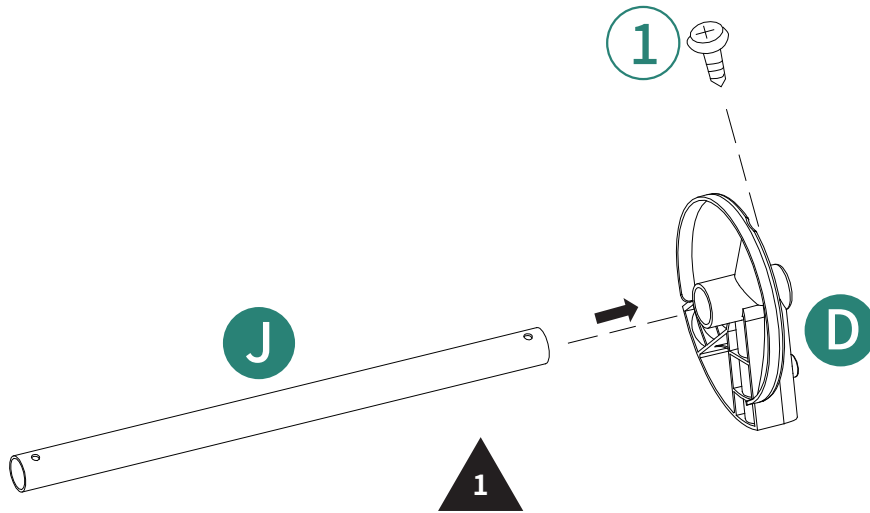
①J 1pc



①H 2pcs



①1 2pcs



△ Make sure parts C are facing outward when inserting part J through the two chambers.

5

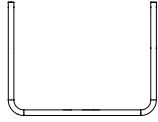
X2



ⓔ 2pcs



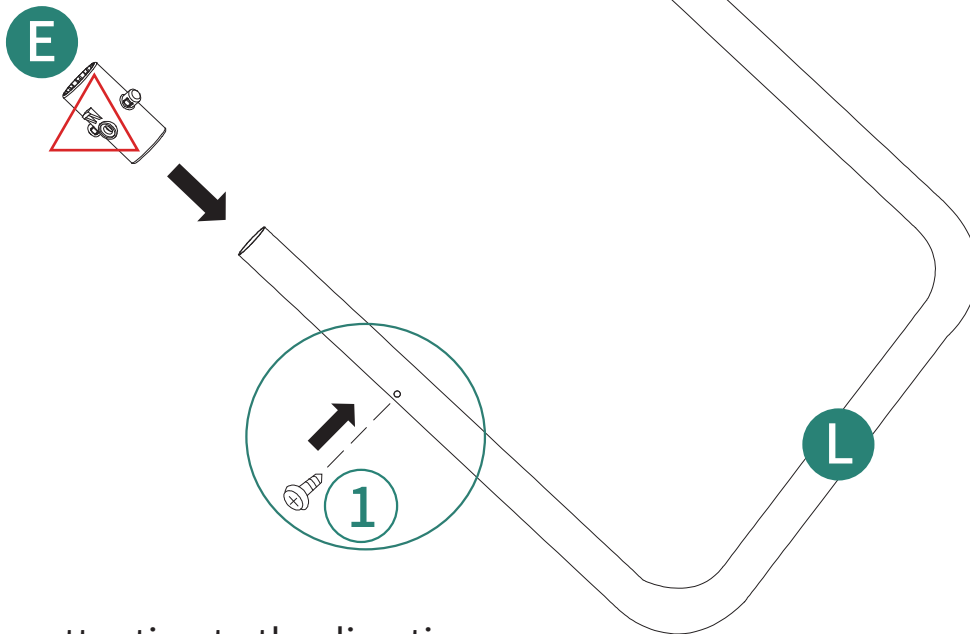
ⓕ 2pcs



Ⓛ 2pcs

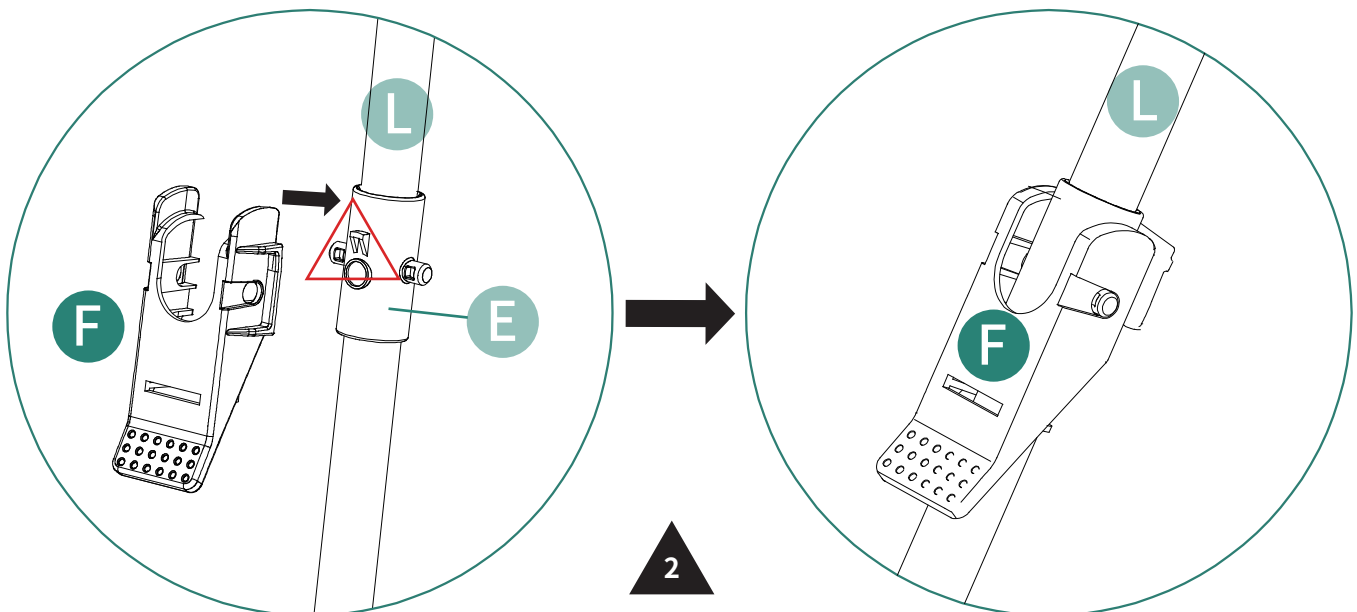


① 2pcs



△ Pay attention to the direction of the protruded section.

1

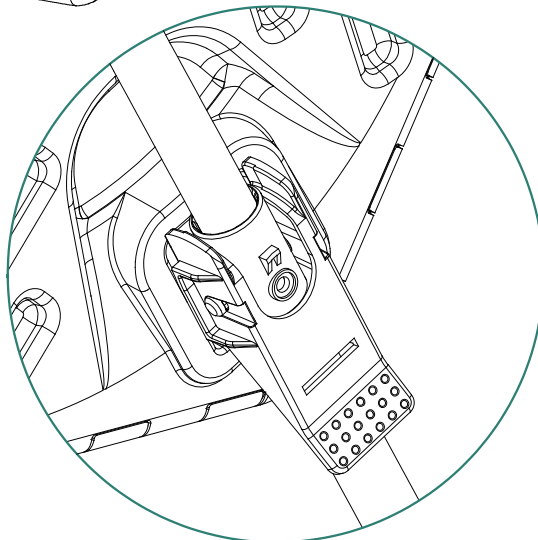
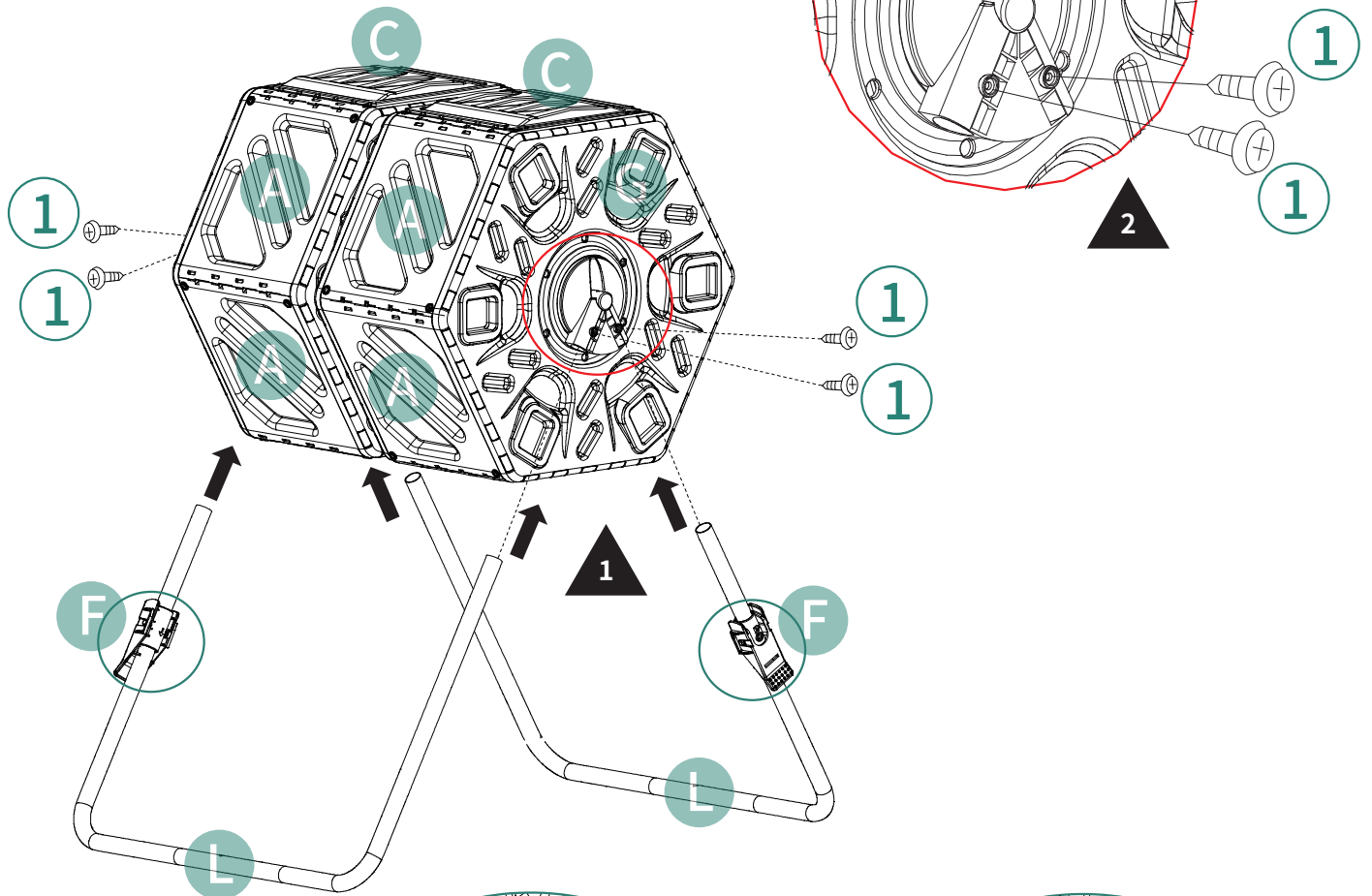


2

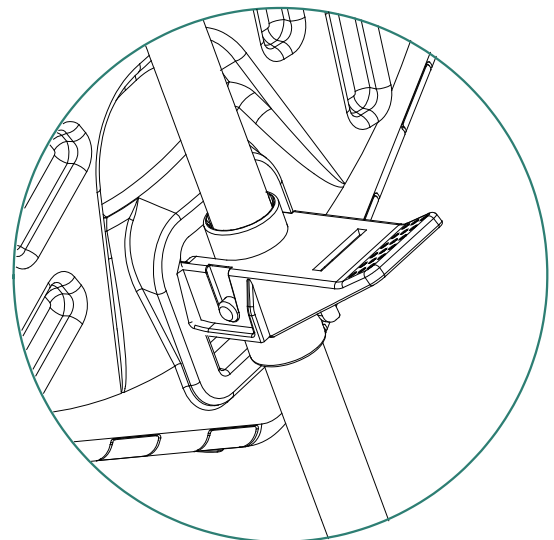
6



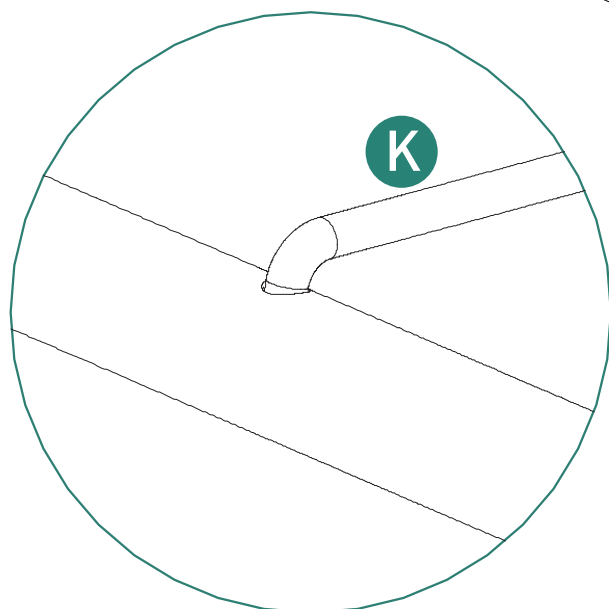
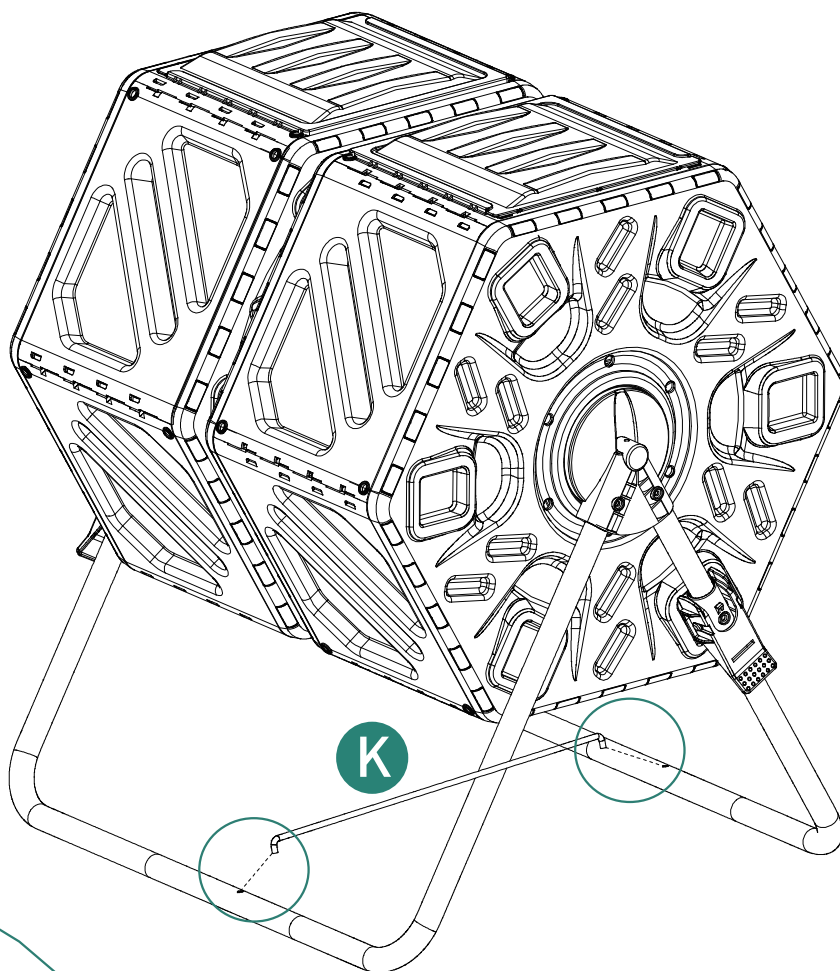
① 4pcs



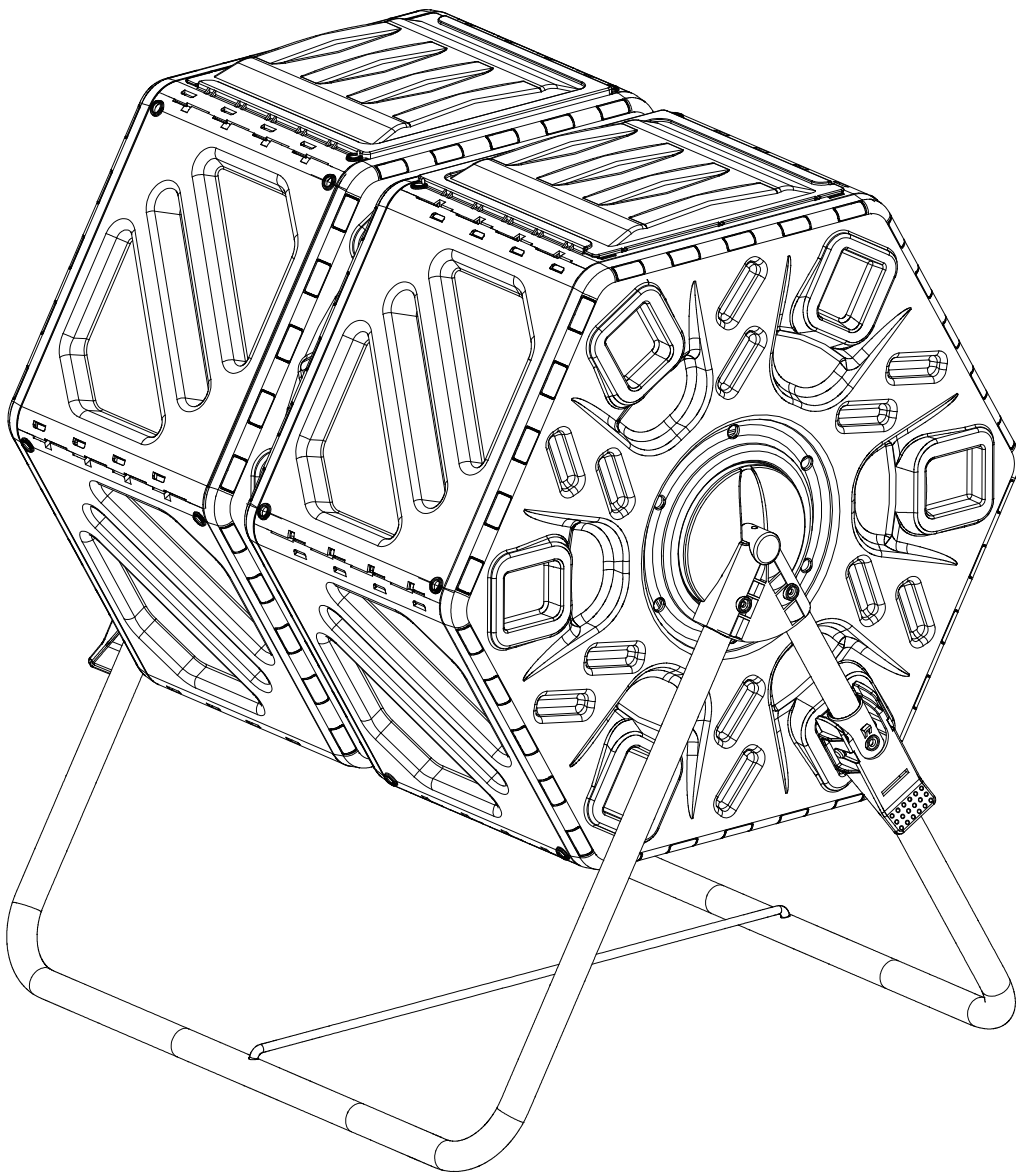
ON



OFF



8



Installation Completed



## **CONTACT US:**

If you have any questions about the installation of YITAHOME products, just contact us at +1 (888) 717-8084 from Mon-Fri 8:00 AM-4:30 PM PST / Sat. 8:00 AM-12:00 PM PST or e-mail us at [after-sale.cs@hotmail.com](mailto:after-sale.cs@hotmail.com)

Alternative method to contact us (amazon.com orders only)

1. Log into your Amazon account
2. Go to "Your Orders" and find the purchase
3. Click on "Contact Seller"