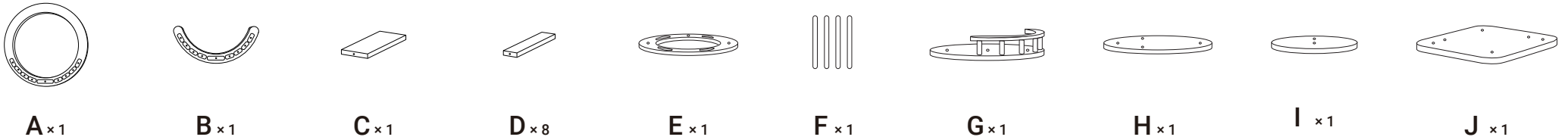
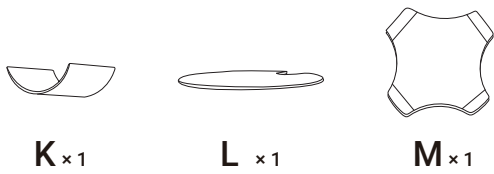


Transformable Cat Tree Update - Package Includes

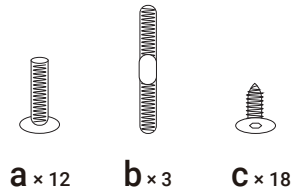
Wood



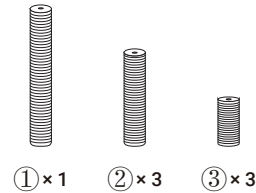
Mats



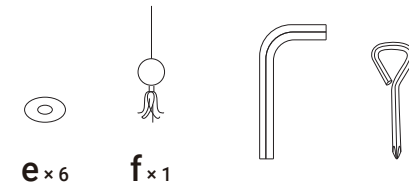
Screws



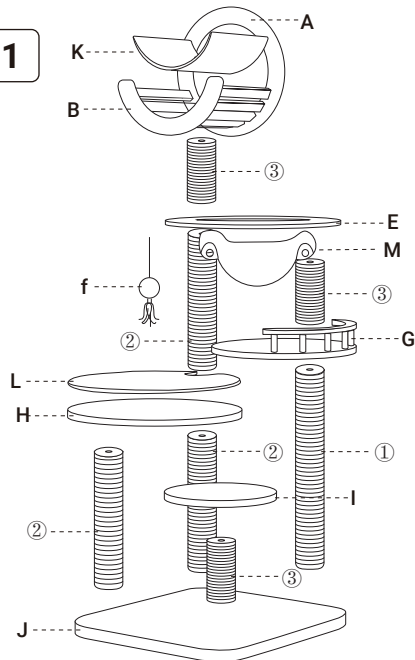
Sisal Posts



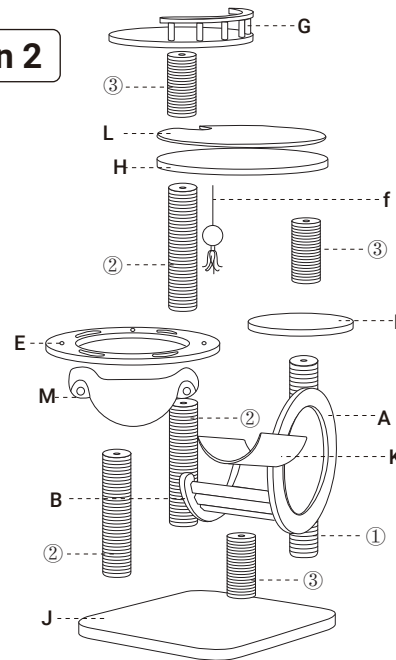
Accessories



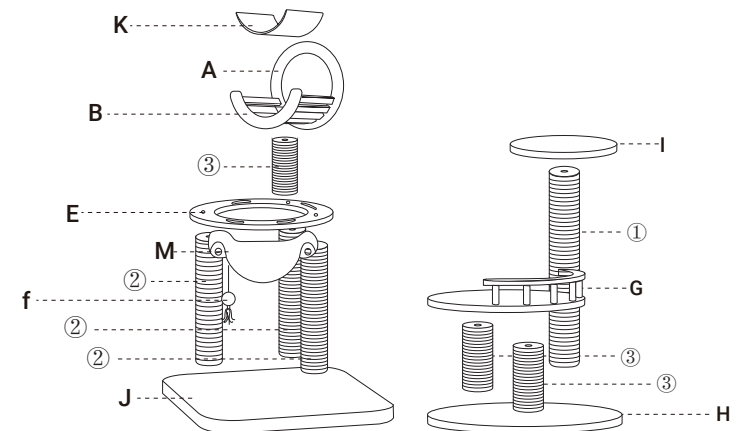
Combination 1



Combination 2

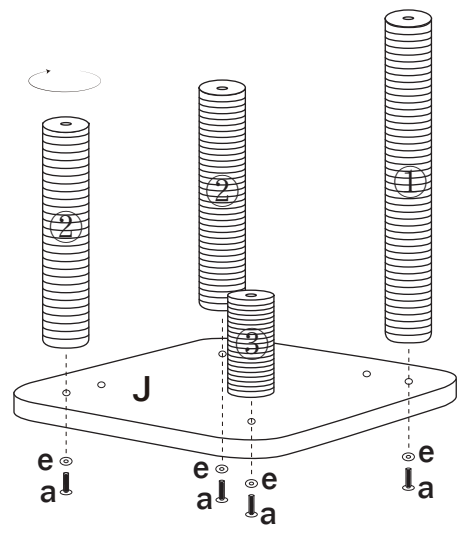


Combination 3

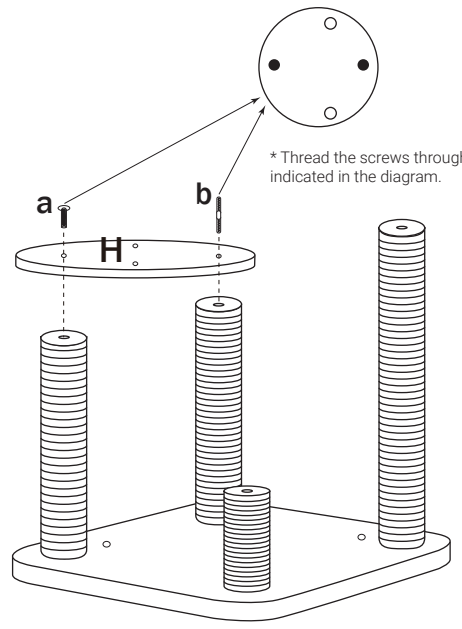


Combination 1

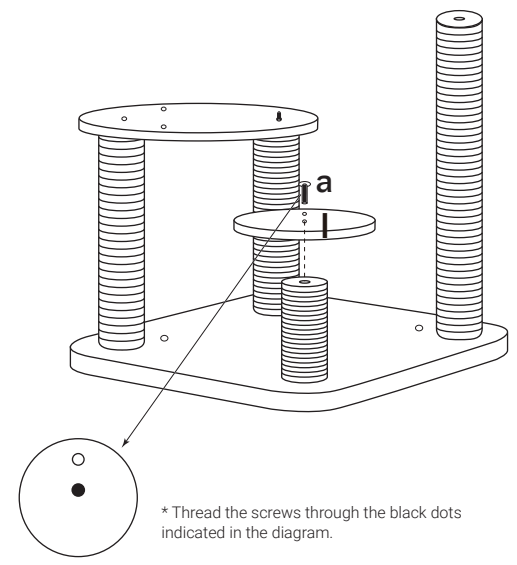
1



* Install the four sisal posts as shown in the diagram at the four holes on the outer edge of the base.



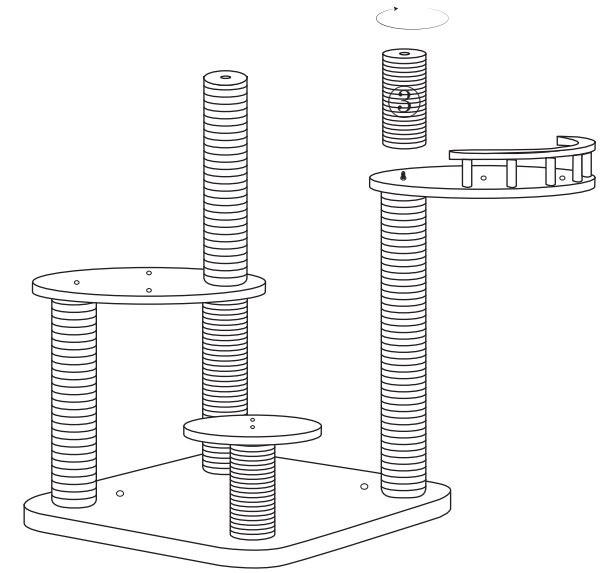
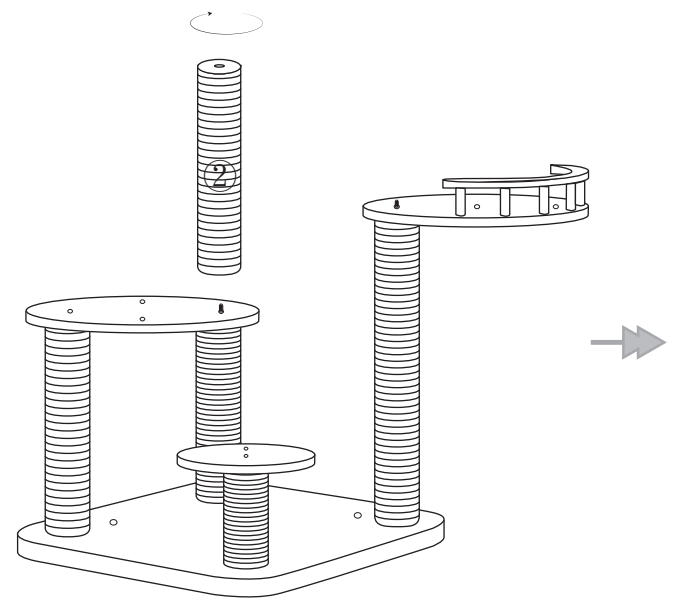
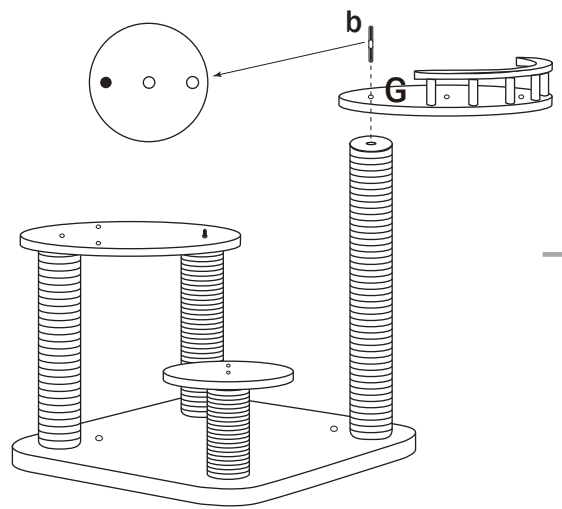
* Thread the screws through the black dots indicated in the diagram.



* Thread the screws through the black dots indicated in the diagram.

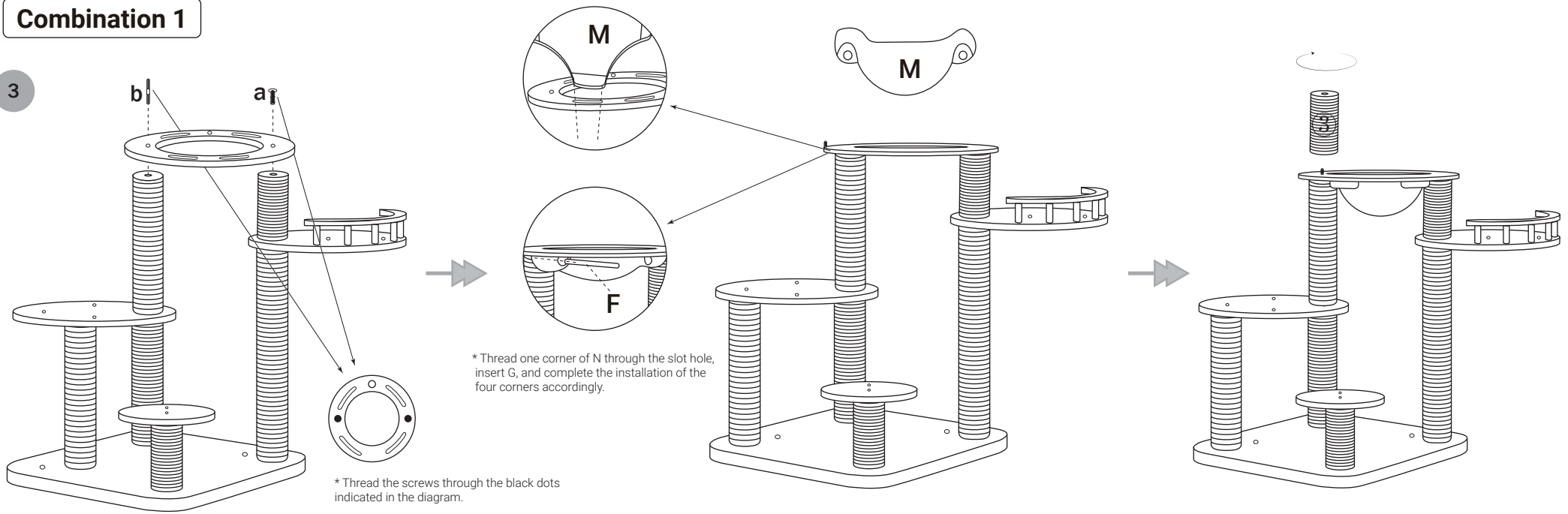
2

* Thread the screws through the black dots indicated in the diagram.

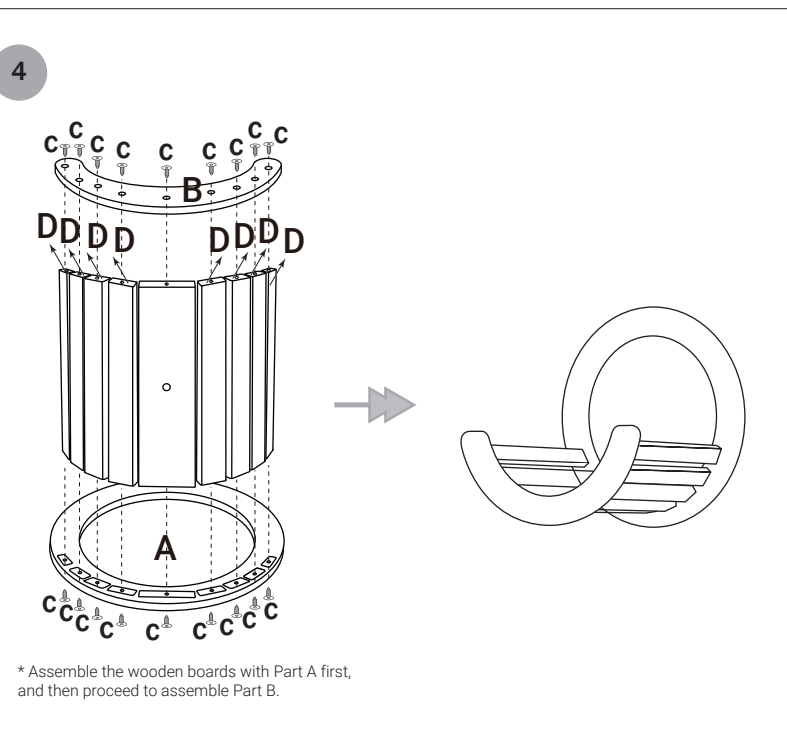


Combination 1

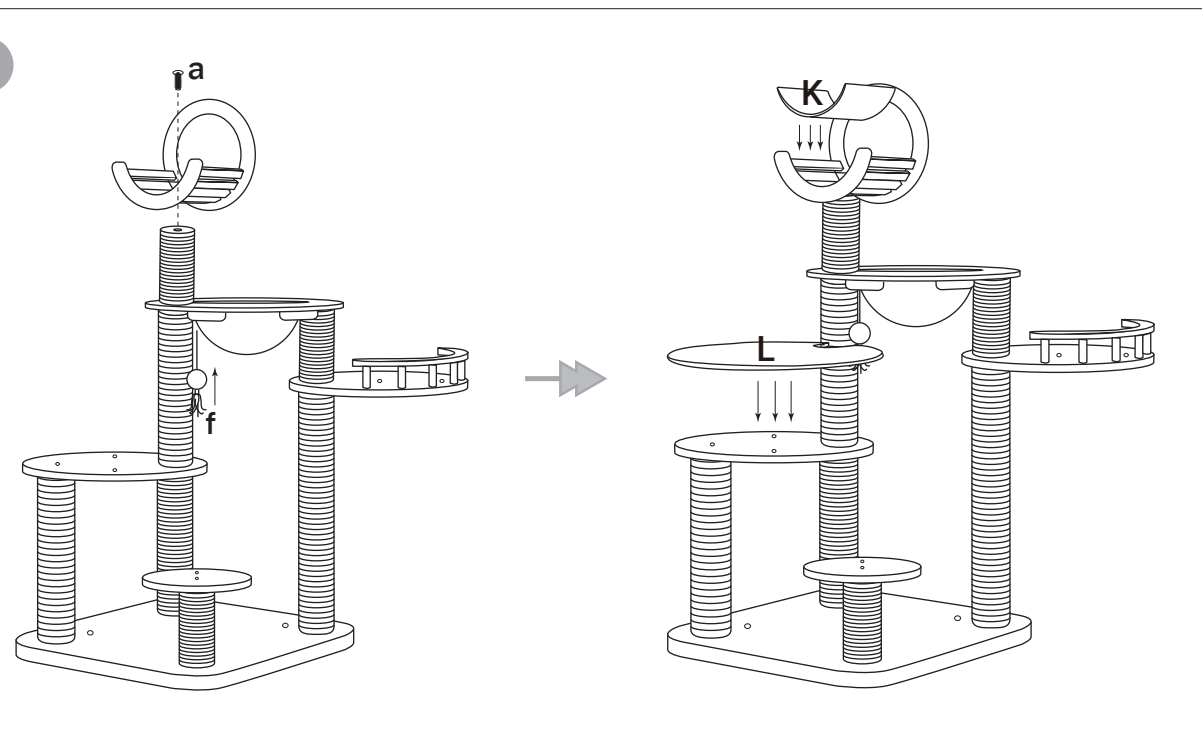
3



4

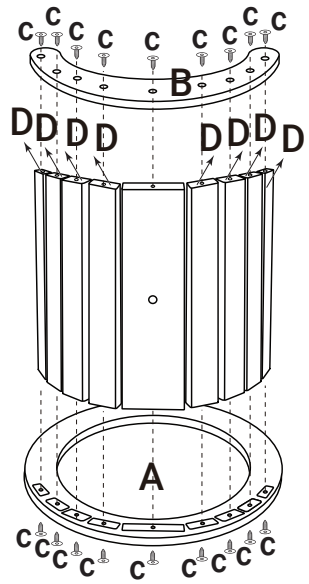


5



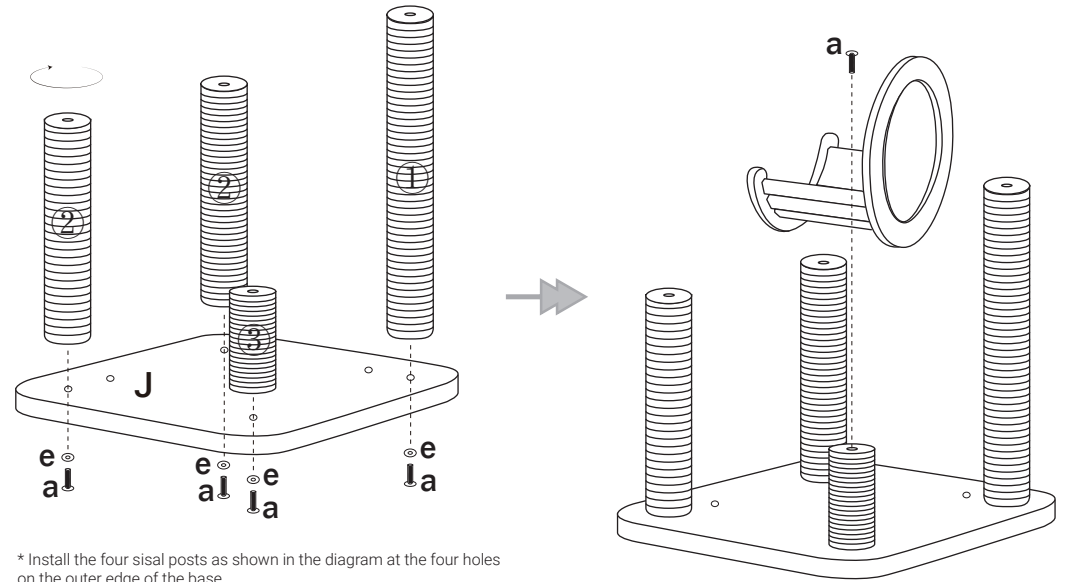
Combination 2

1



* Assemble the wooden boards with Part A first, and then proceed to assemble Part B.

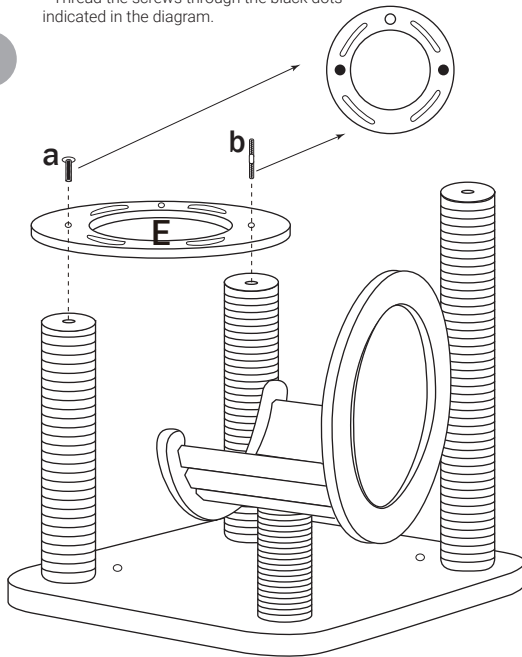
2



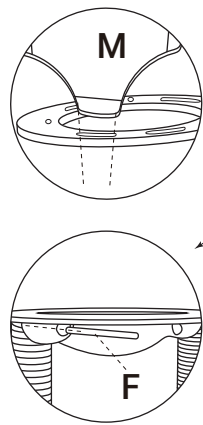
* Install the four sisal posts as shown in the diagram at the four holes on the outer edge of the base.

3

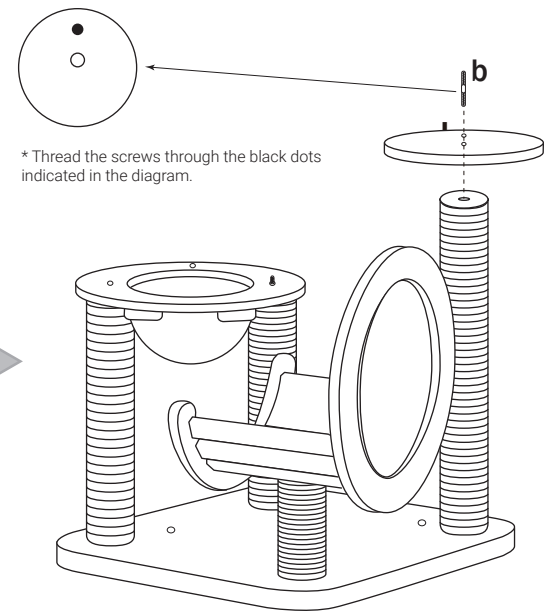
* Thread the screws through the black dots indicated in the diagram.



* Thread one corner of N through the slot hole, insert G, and complete the installation of the four corners accordingly.

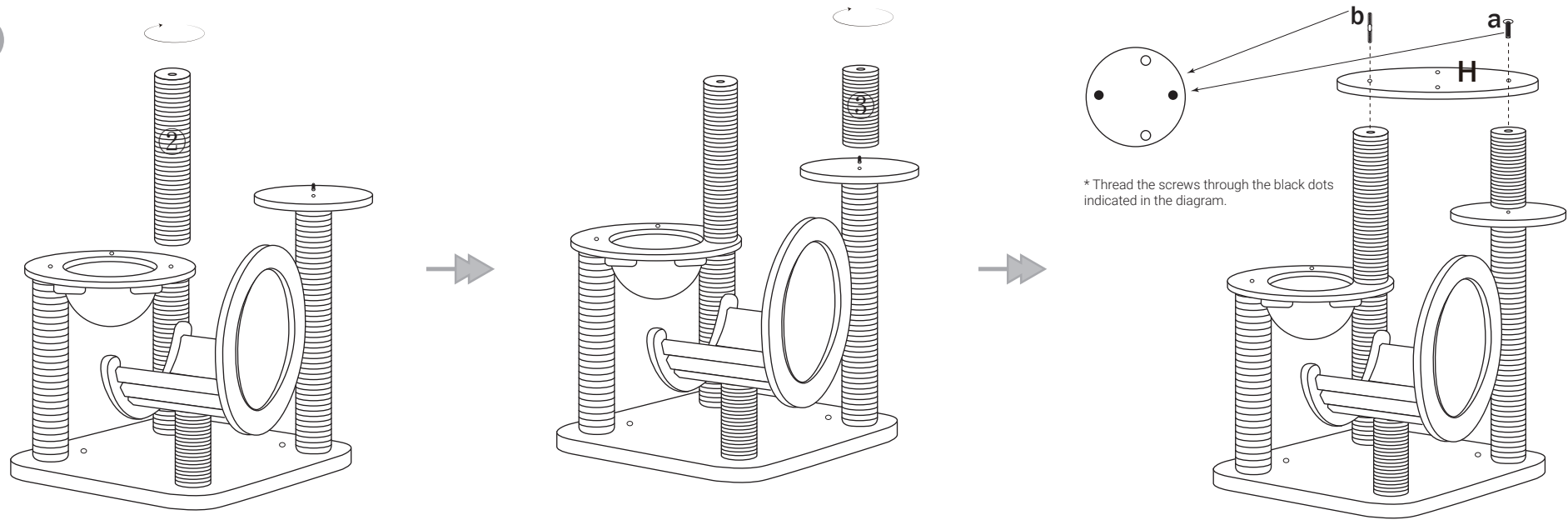


* Thread the screws through the black dots indicated in the diagram.

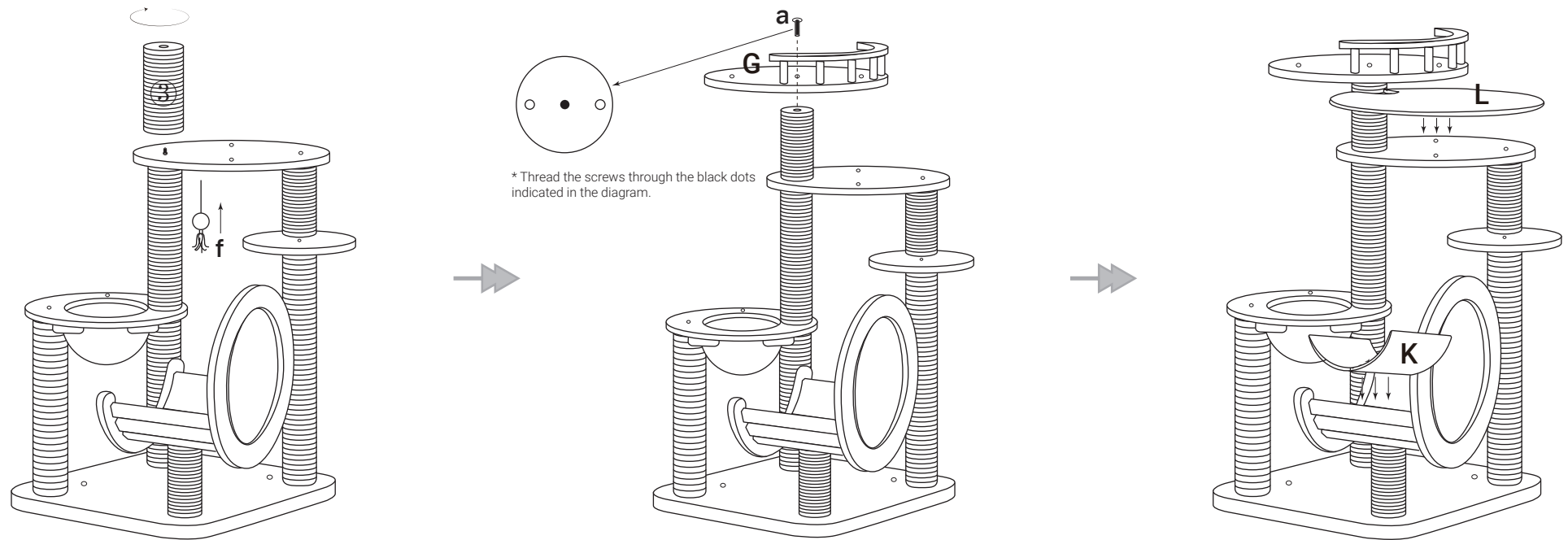


Combination 2

4

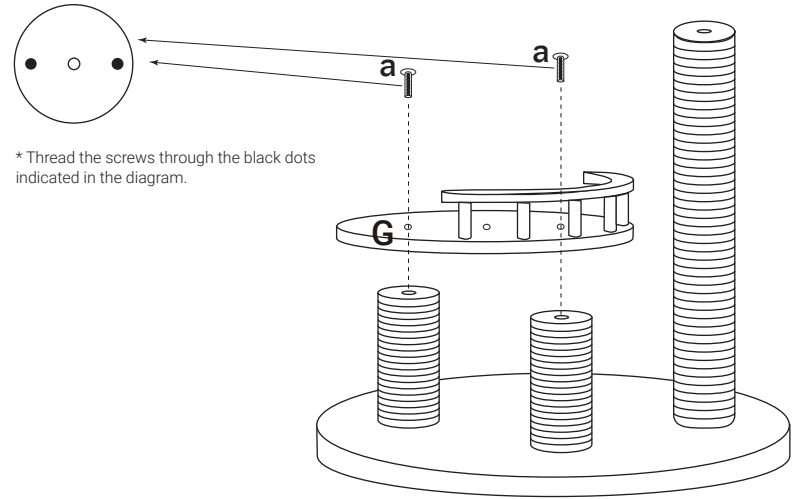
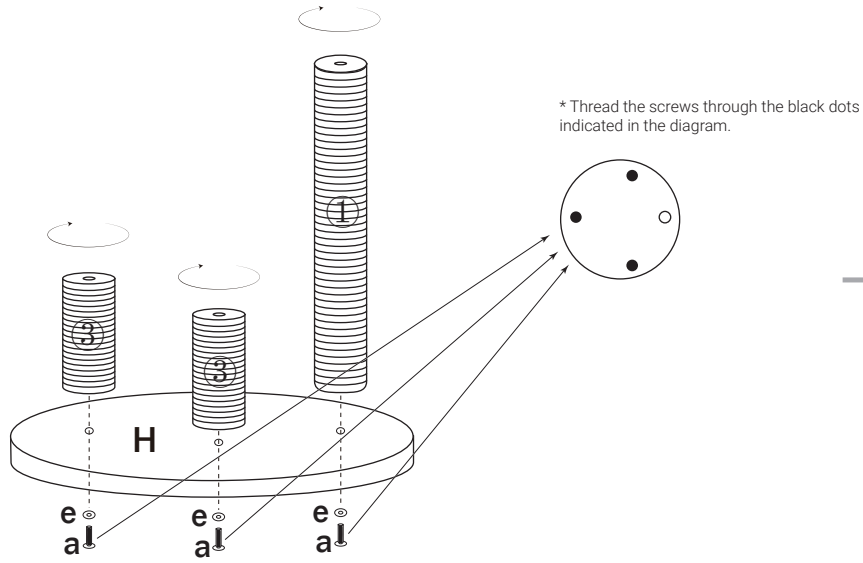


5

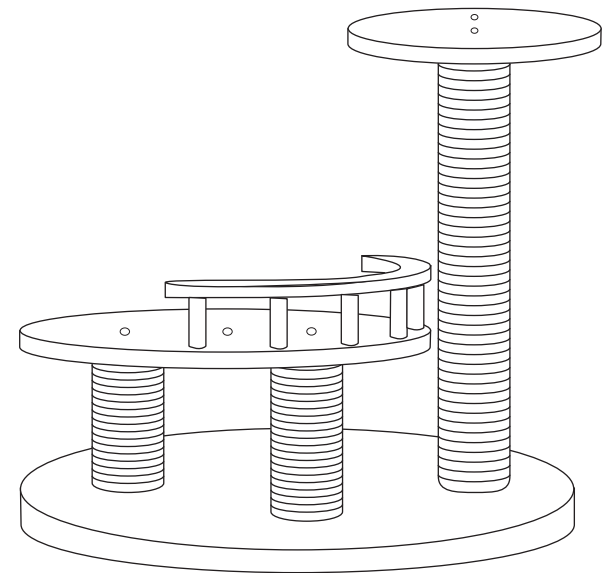
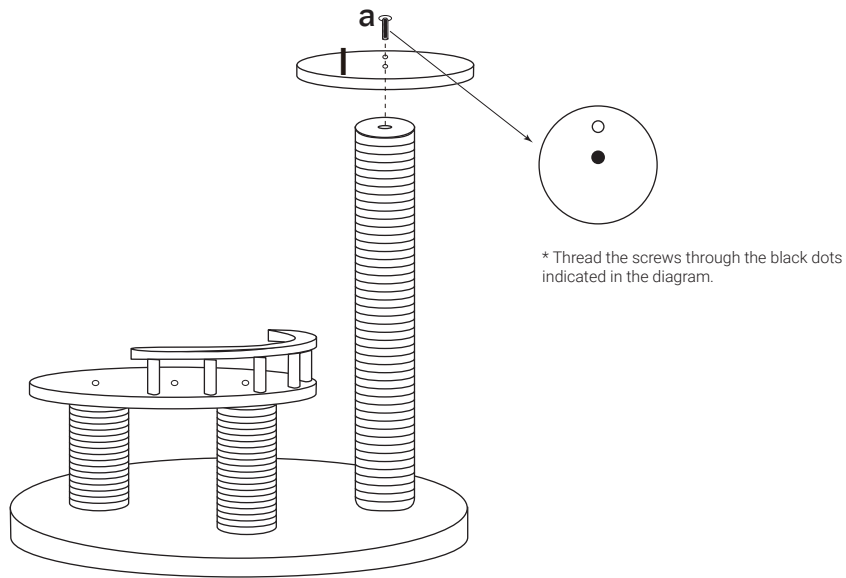


Combination 3 Part 1 | a×6 e×3 ①×1 ③×2

1

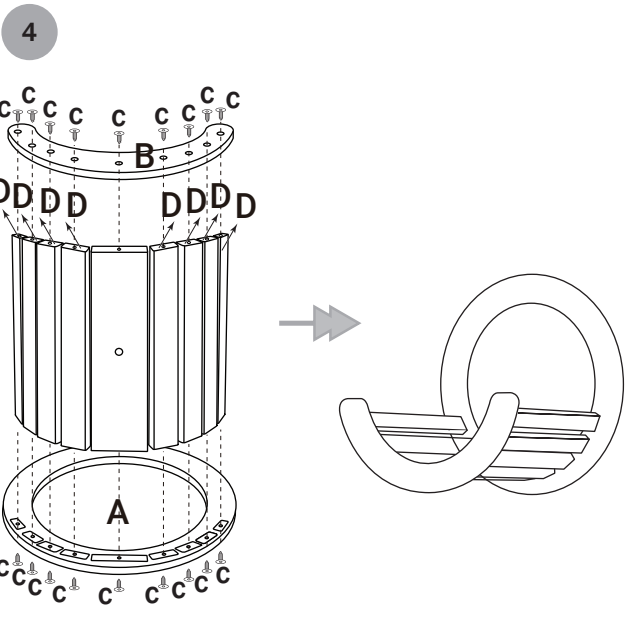
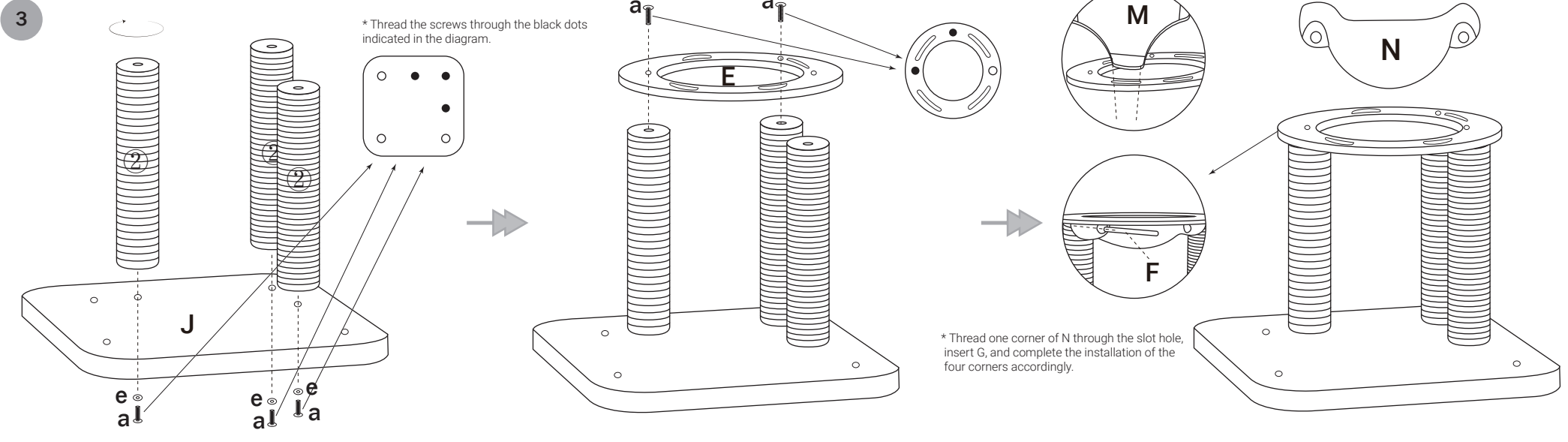


2



Combination 3 Part 2 | a×6 b×1 c×6 e×3 f×1 ②×3 ③×1

* Thread the screws through the black dots indicated in the diagram.



* Assemble the wooden boards with Part A first, and then proceed to assemble Part B.

