

# Assembly Instructions



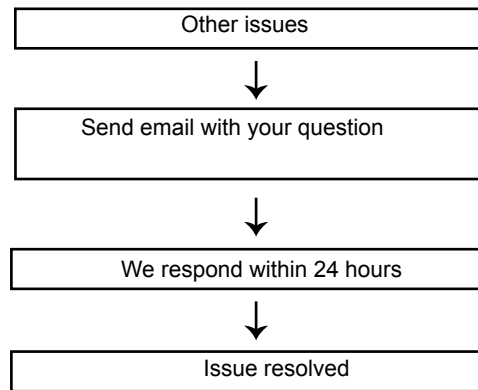
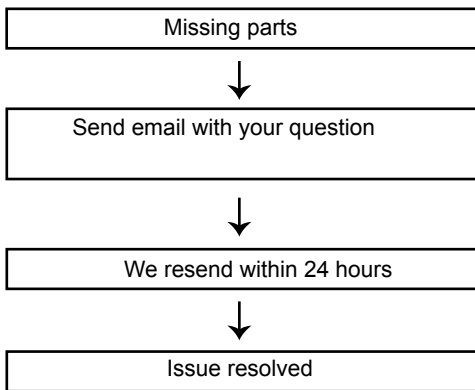
<b>A</b>		M6*25mm	2
<b>B</b>		M6*20mm	4
<b>C</b>		M6*30mm	8
<b>D</b>			8
<b>F</b>			1

Check all the components & screws before assembly. Do not install in case part is missing, contact us to get. Send email with your question. We will resend within 24 hours.

## Return Policy

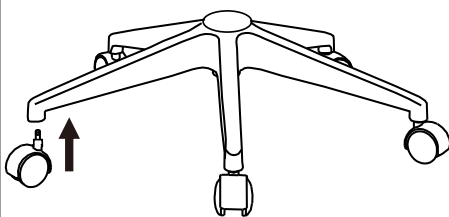
We believe you will absolutely love your chair. But if for some reason you want to return the chair, please contact us directly before you decide to return your product. Our customer service organization can answer most concerns and assist you with any questions you may have about your new chair, please email us first.

## Trouble shooting:

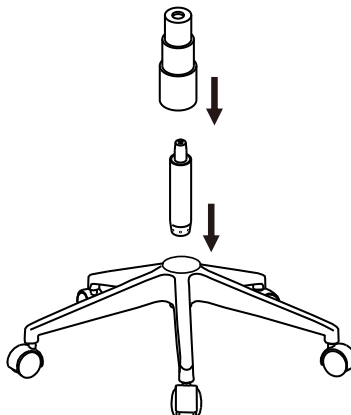


We control manufacturing and distribution ourselves, ensure the quality.

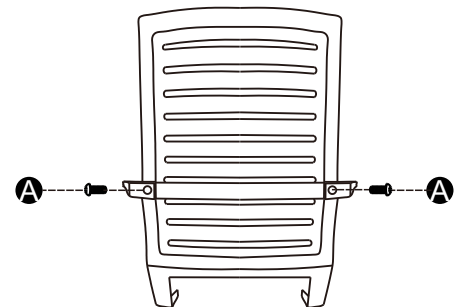
- 1** Press the casters into the holes at the end of each base leg.



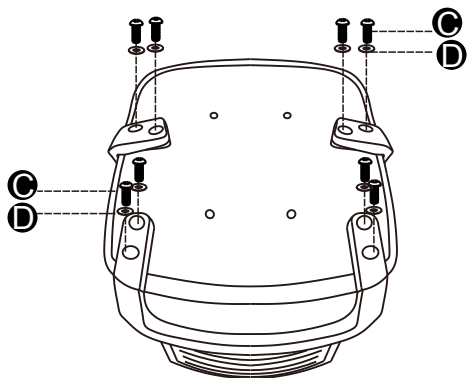
- 2** Insert the lift with cover into the center hole of the star base.



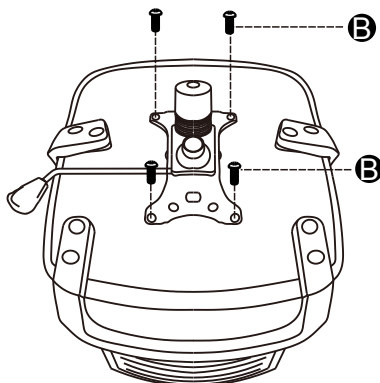
- 3** Attach the arms to the back cushion using two (A) screws, using the wrench (F).



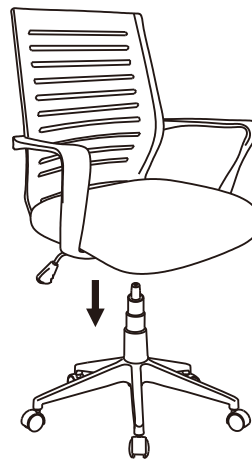
**4** Attach the back cushion to the seat cushion using eight (C) screws and four (D) washers using the wrench (F).



**5** Attach the seat plate to the seat cushion using four (B) screws with the wrench (F)



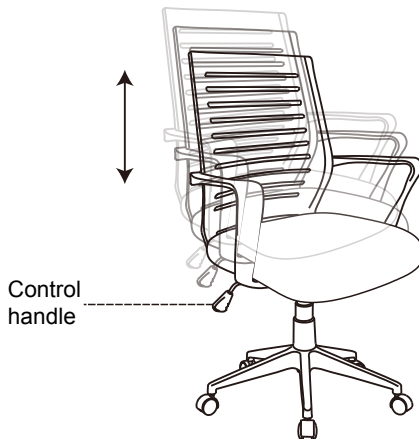
**6** Align the center hole of the seat plate over the lift, then push the seat cushion down onto the lift firmly



**7** For your safety, before using your chair, make sure that all of the screws are fully tightened.



**8** Adjusting the seat height



**9** Adjusting the tilt tension



**10** To operate the tilt lockout  
To let your chair tilt back, pull the control handle out.  
To stop your chair from tilting, sit forward, then push the control handle in.



## Register Senior User to Get Extra Benefit

- 1. Priority customer support
- 2. Free trials of newly released products
- 3. Regularly exclusive discount codes, rewards, and other VIP privileges