


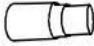
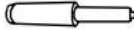

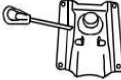






# ASSEMBLY INSTRUCTIONS

## Office Chair

Avoid using sharp objects such as a knife to cut open packing as you may accidentally damage the upholstery.

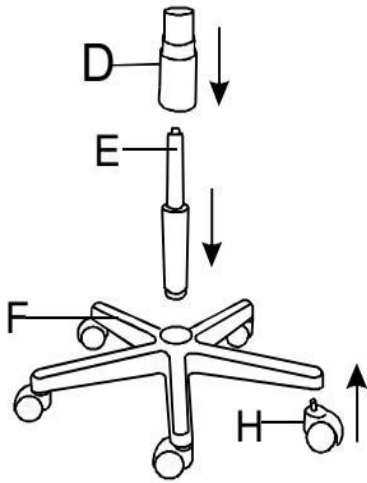
PARTS LIST			
ITEM	DESCRIPTION	SKETCH	QUANTITY
A	Back		1pc
B	Seat		1pc
C	Arms (L/R)		2pcs
D	Dust cover		1pc
E	Gas lift		1pc
F	Base		1pc
G	Mechanism		1pc
H	Casters		5pcs
I	Bolts	 6*20mm	12pcs
J	Arm Cover		8pcs
K	Allen key		1pc



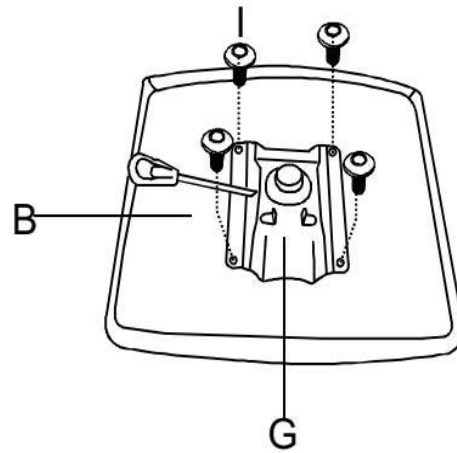
# ASSEMBLY INSTRUCTIONS

Do not fully tighten bolts until assembly is complete.

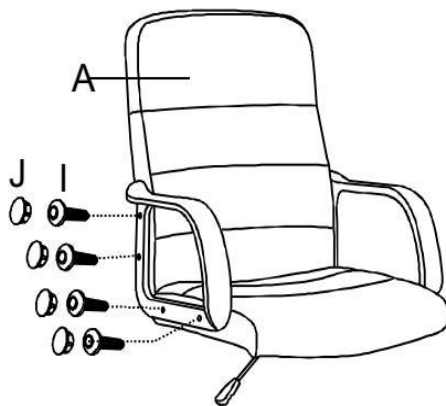
STEP 1



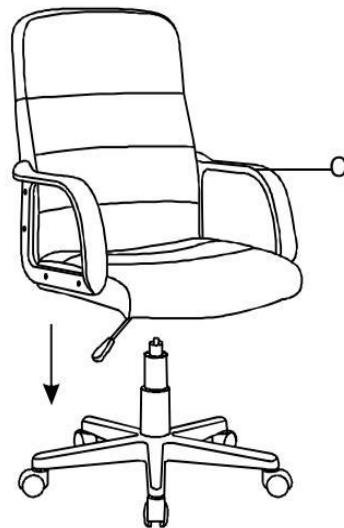
STEP 2



STEP 3



STEP 4



STEP 5



**CLEANING INSTRUCTIONS:** Clean with soft cloth, brush, or lightly vacuum.

**ADULT ASSEMBLY REQUIRED**

If you are missing any parts or have any questions regarding assembly, do not return this item to the retailers store. Please call our toll-free, customer service number and have this assembly manual open to the parts list ready to provide the model name, number and part name or number.



**WARNING:** This product may contain small components, please ensure they are kept away from small children.