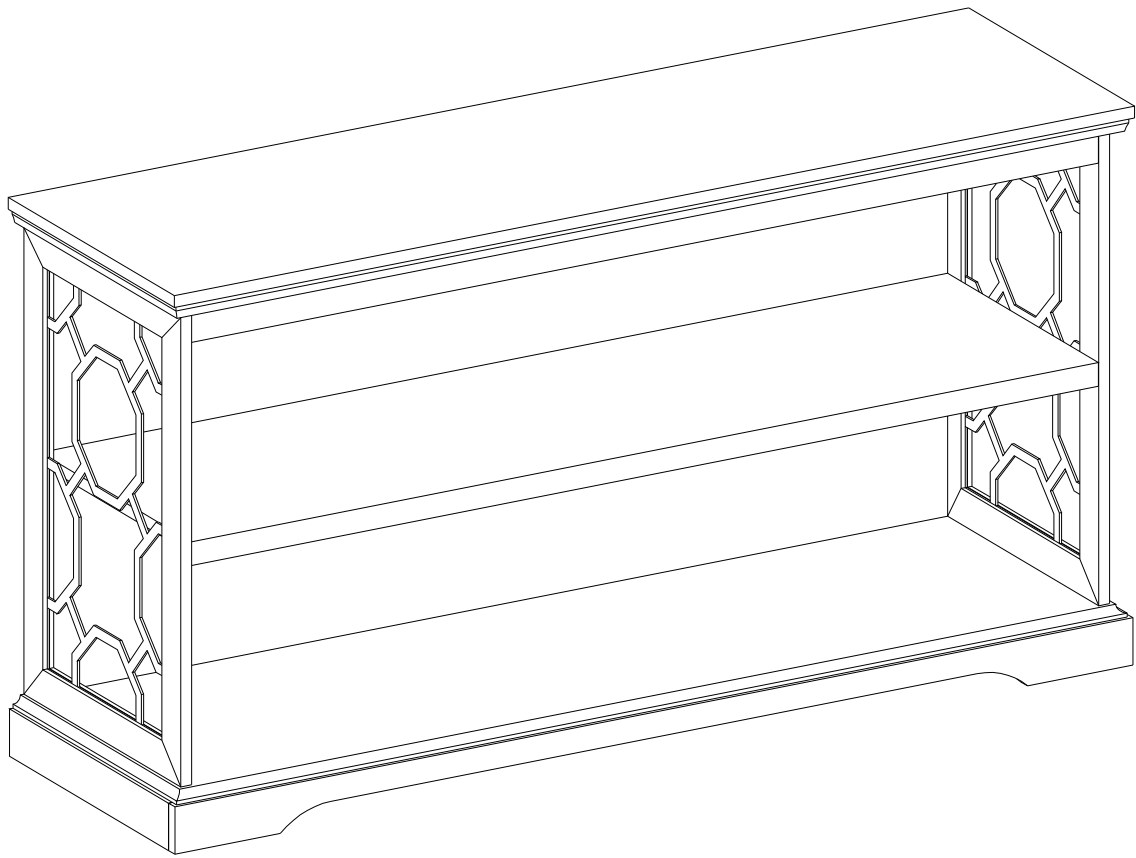
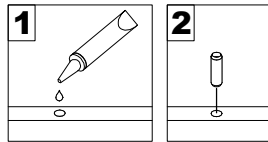


Assembly Instructions

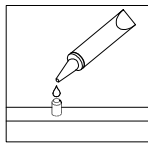


General Assembly Guidelines

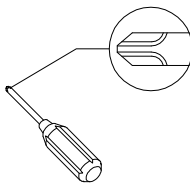
- I. Ensure that all parts and hardware are available before beginning assembly.
- II. Follow each step carefully to ensure the proper assembly of this product.
- III. Two people are recommended for ease in the assembly of this product.
- IV. The three main types of hardware used to assemble this product are: wood dowels, screws and bolts.
- V. The provided glue is to secure wood dowels in place. When first inserting dowels, locate the appropriate hole for the dowel, place a small amount of glue in the hole and insert the dowel. Wipe away excess glue immediately.



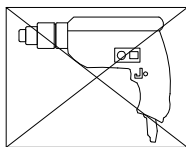
In future assembly steps when dowels are necessary to attach assembly parts together, place a small amount of glue on the end of the dowel before attaching parts together. Wipe away excess glue immediately.



- VI. A Phillips head screwdriver is required for the assembly of this product .

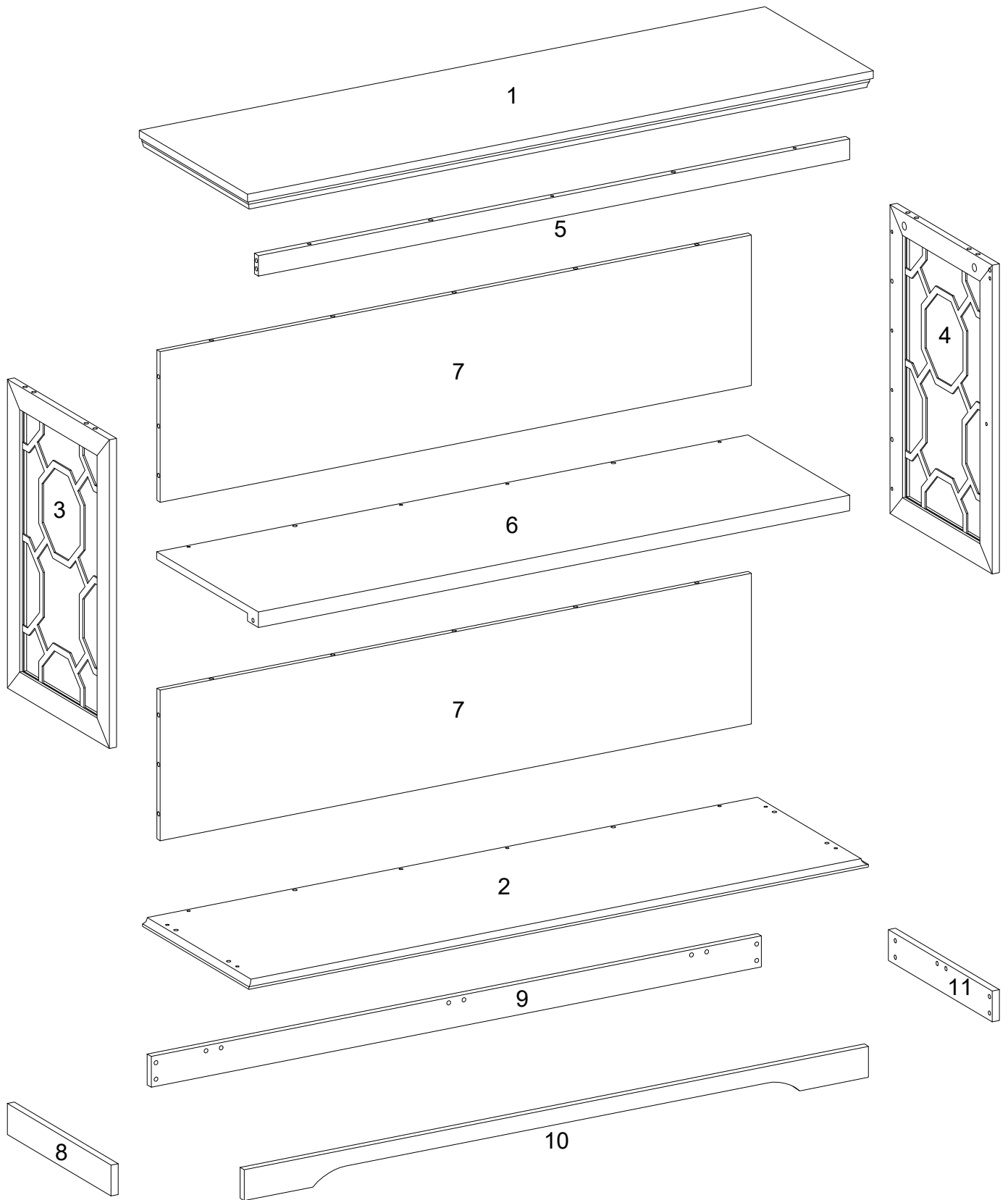


- VII. Power tools should not be used to assemble this product.










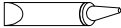



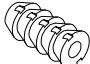


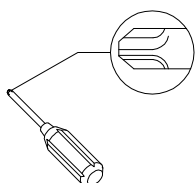
- VIII. Drill may be needed for securing product to wall.

Parts List



Hardware List

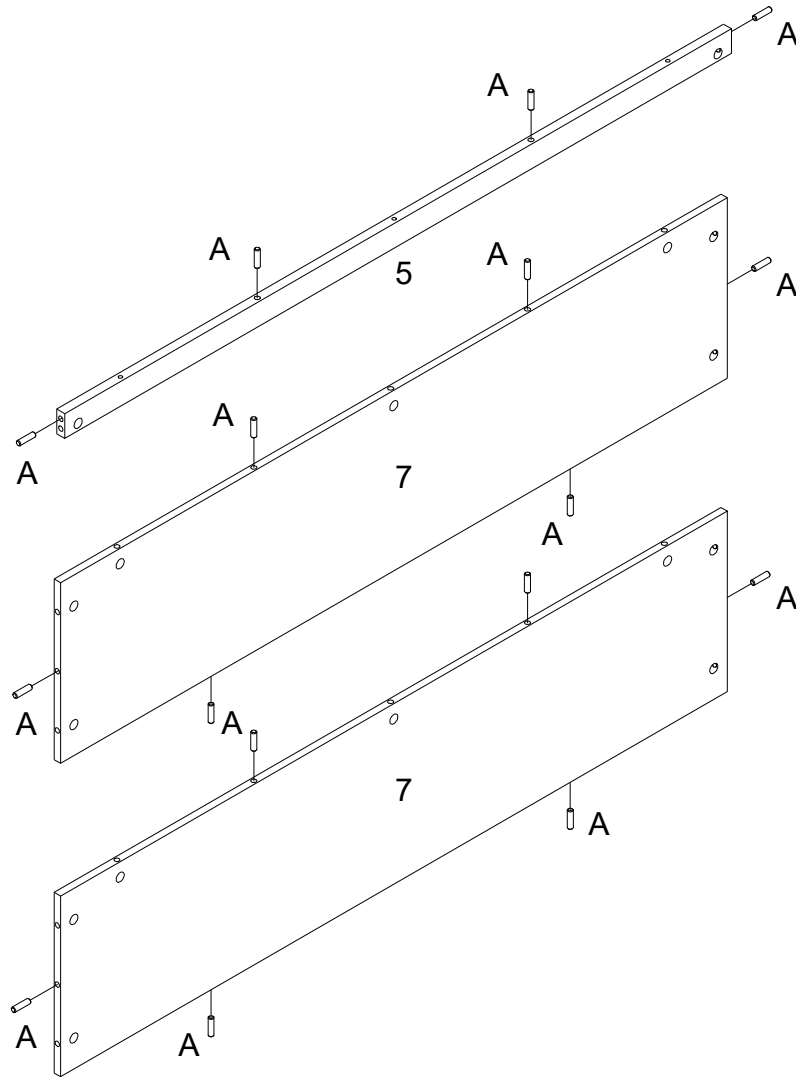
A		Ø8x30mm	Wooden dowel	24 pcs
B		Ø6x35mm	Cam bolt	22 pcs
C		Ø15x11mm	Cam lock	8 pcs
D		Ø15x9mm	Cam lock	14 pcs
E		Ø30mm	Sticker	22 pcs
F		Ø4x45mm	Screw	15 pcs
G			Plastic wedge	12 pcs
H		M6x13mm	Bolt	24 pcs
J		M 4	Hex key	1 pc
K			Glue tube	1 pc
L		Ø4x12mm	Screw	2 pcs
M		Ø4x25mm	Screw	2 pcs
N			Plastic strap	2 pcs
P			Nut	2 pcs



Philips head screwdriver required for assembly
(not included)

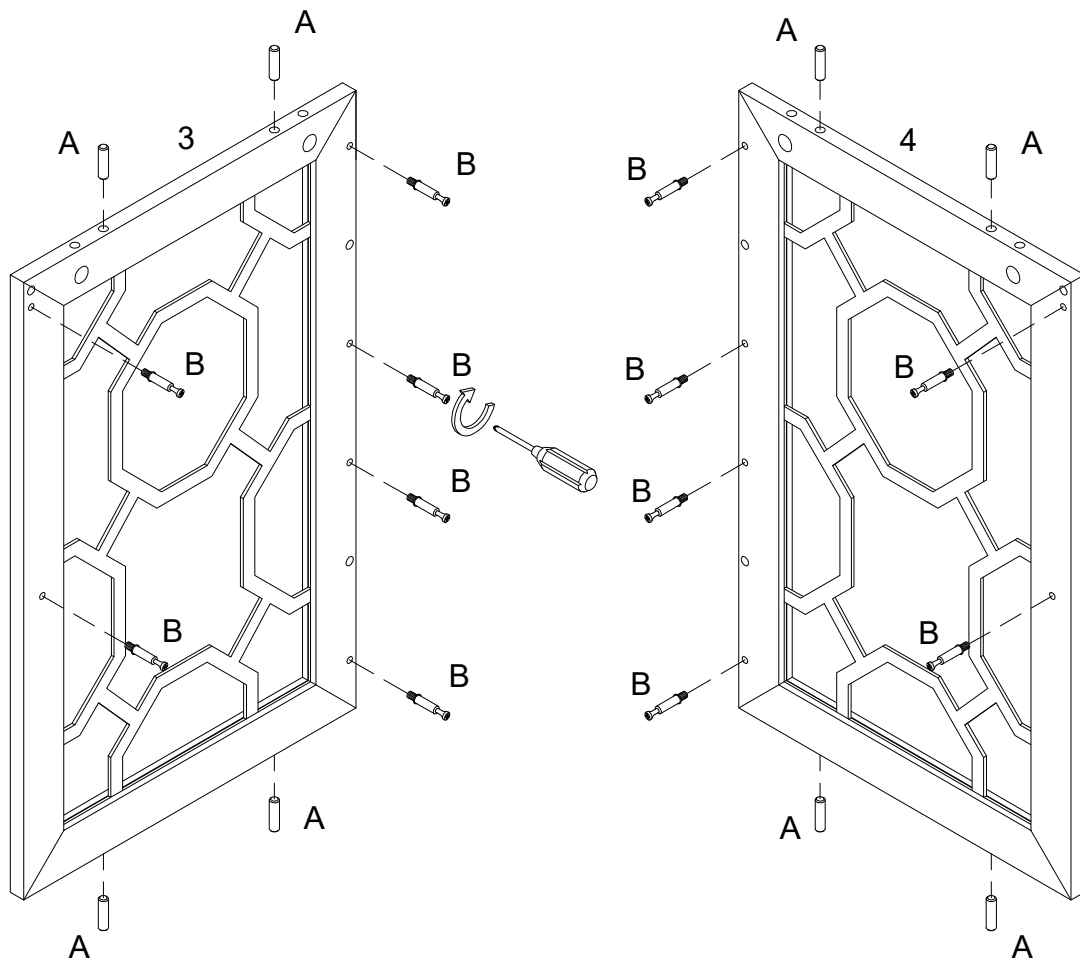
*The hardware quantities listed above are required for proper assembly.
Some extra hardware may also have been included.*

Step 1



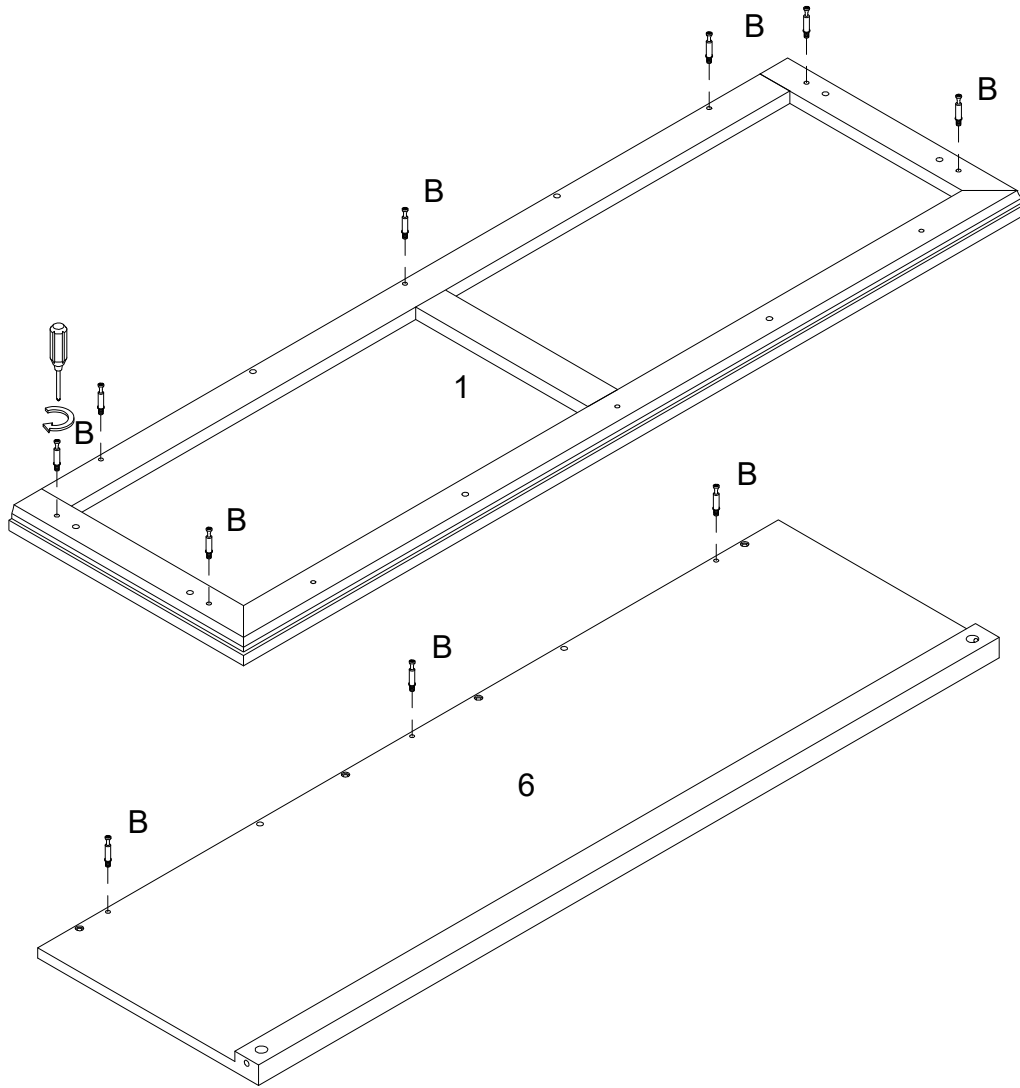
Insert wooden dowel (A) into parts (5,7) as per diagram.

Step 2



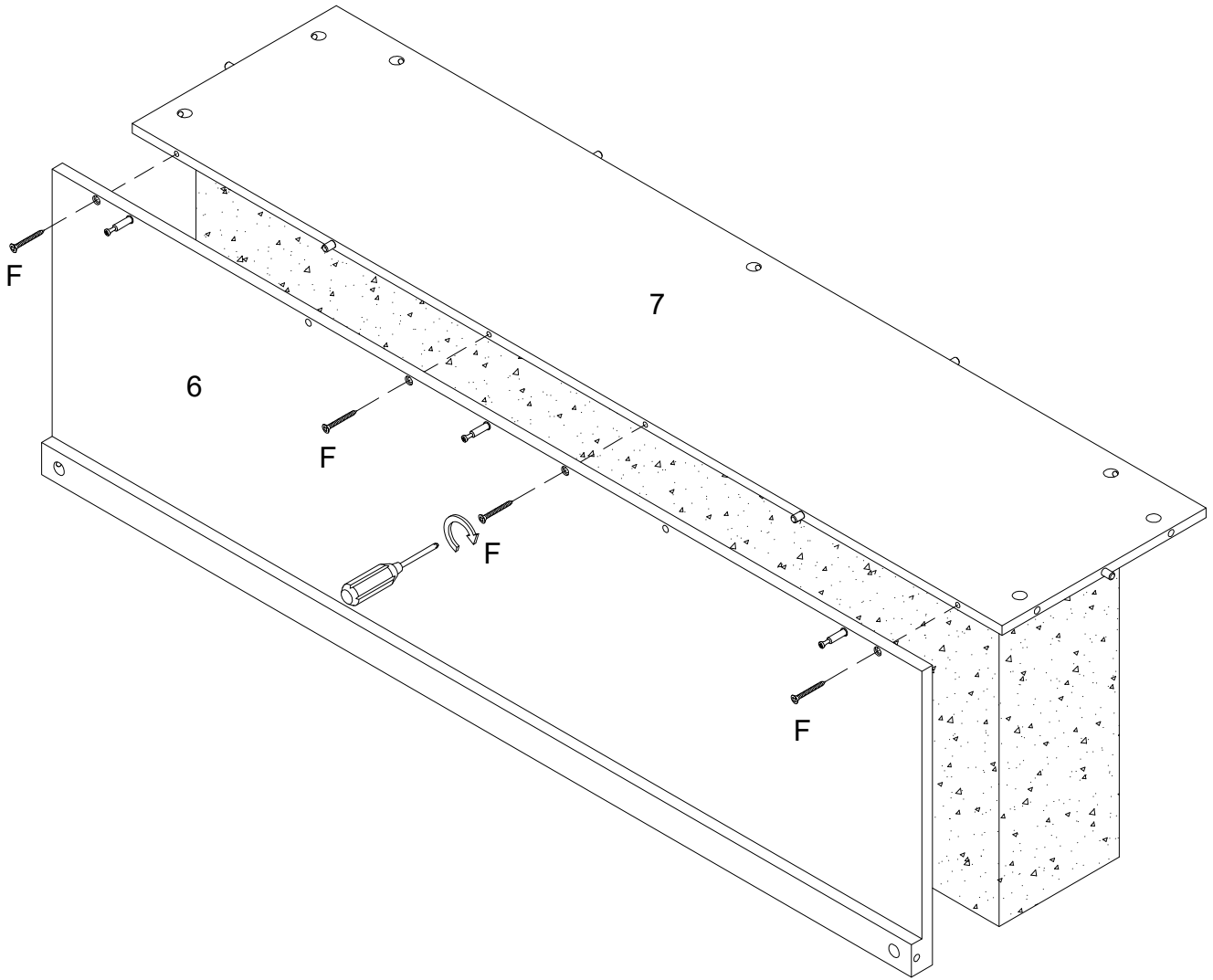
Insert wooden dowel (A) into parts (3,4), and then secure cam bolt (B) into parts (3,4) with Philips head screwdriver as per diagram.

Step 3



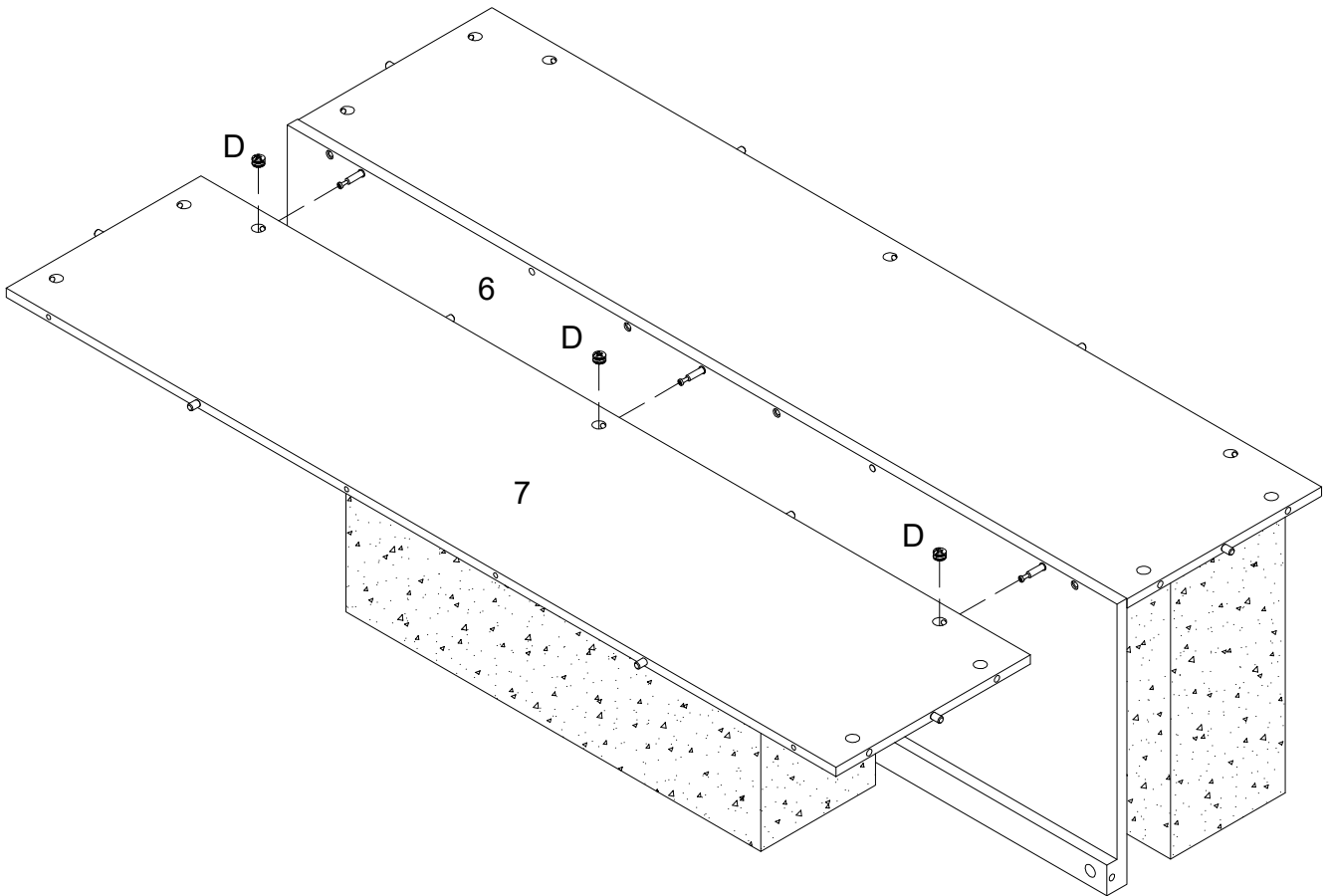
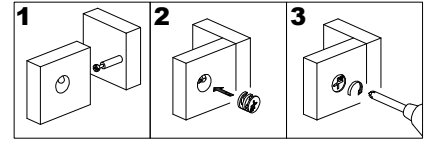
Secure cam bolt (B) into parts (1,6) with Philips head screwdriver as per diagram.

Step 4



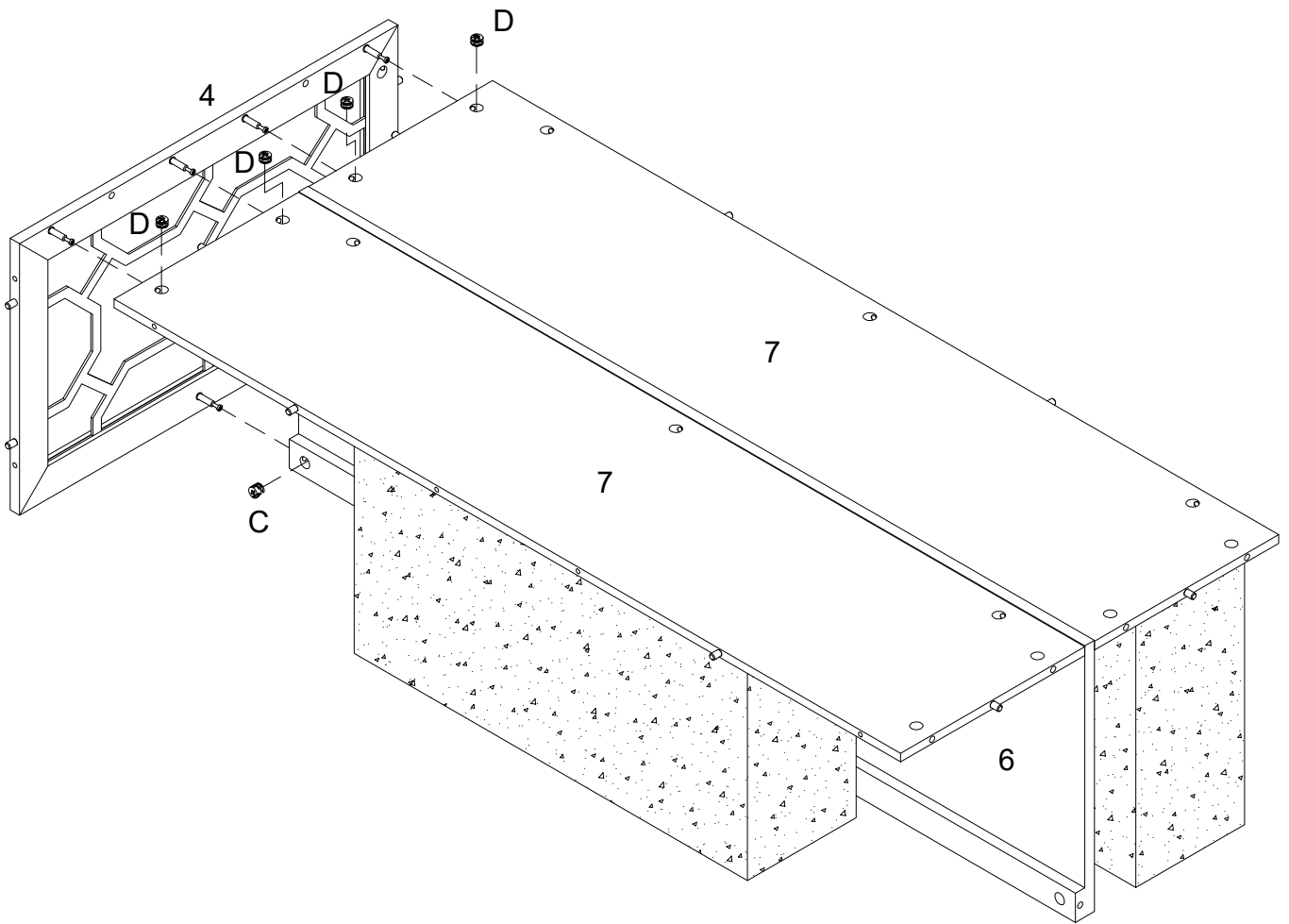
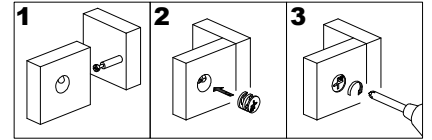
Using screw (F) secure part (6) to part (7) with Philips head screwdriver as per diagram.

Step 5



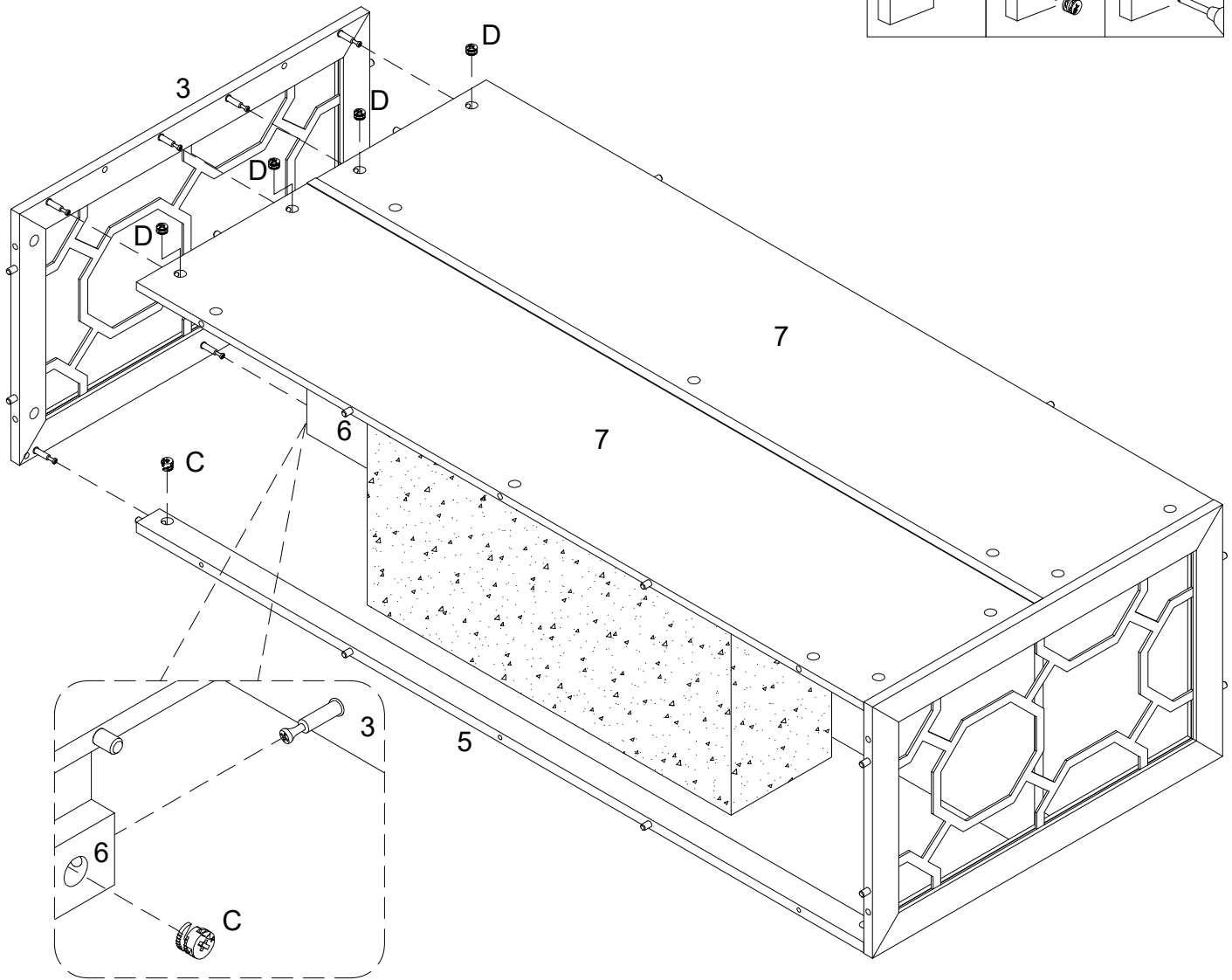
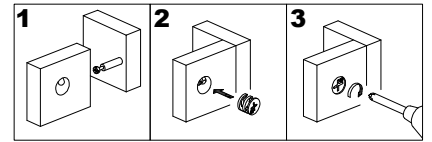
Using cam lock (D) secure part (7) to part (6) with Philips head screwdriver as per diagram.

Step 6



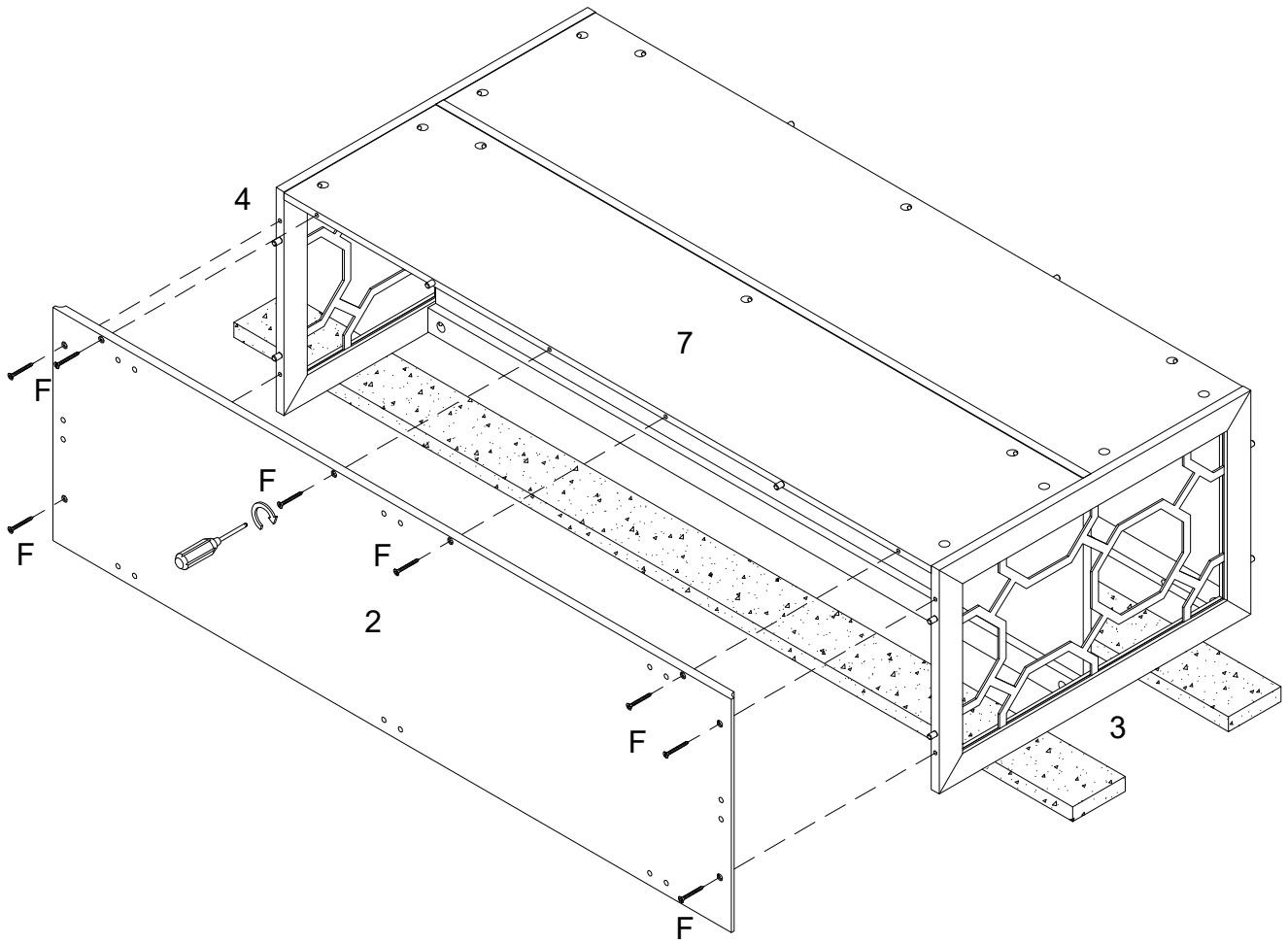
Using cam lock (C) secure part (4) to part (6) and cam lock (D) secure part (4) to part (7) with Philips head screwdriver as per diagram.

Step 8



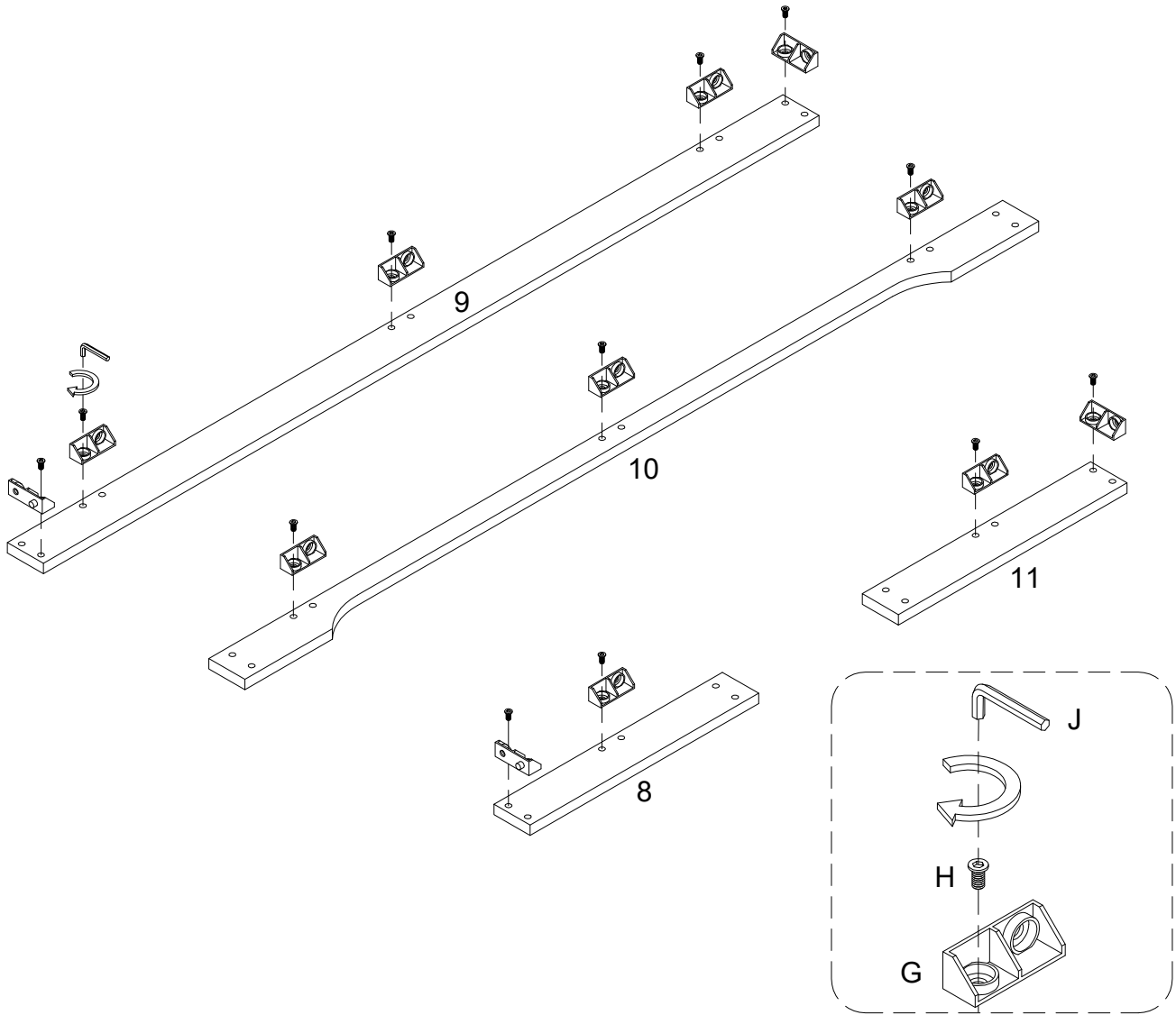
Using cam lock (D) secure part (3) to part (7) and cam lock (C) secure part (3) to parts (5,6) with Philips head screwdriver as per diagram.

Step 9



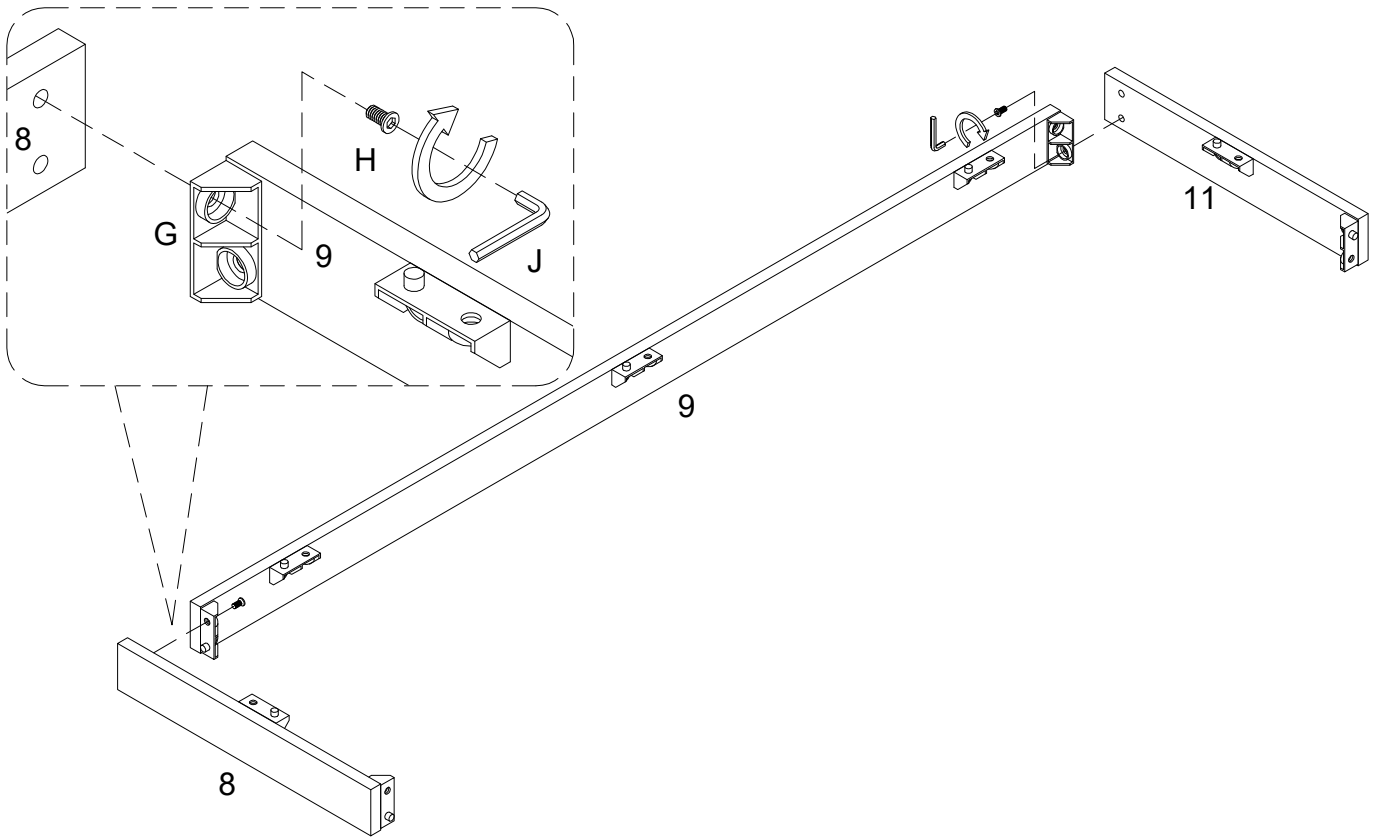
Using screw (F) secure part (2) to parts (3,4,7) with Philips head screwdriver as per diagram.

Step 10



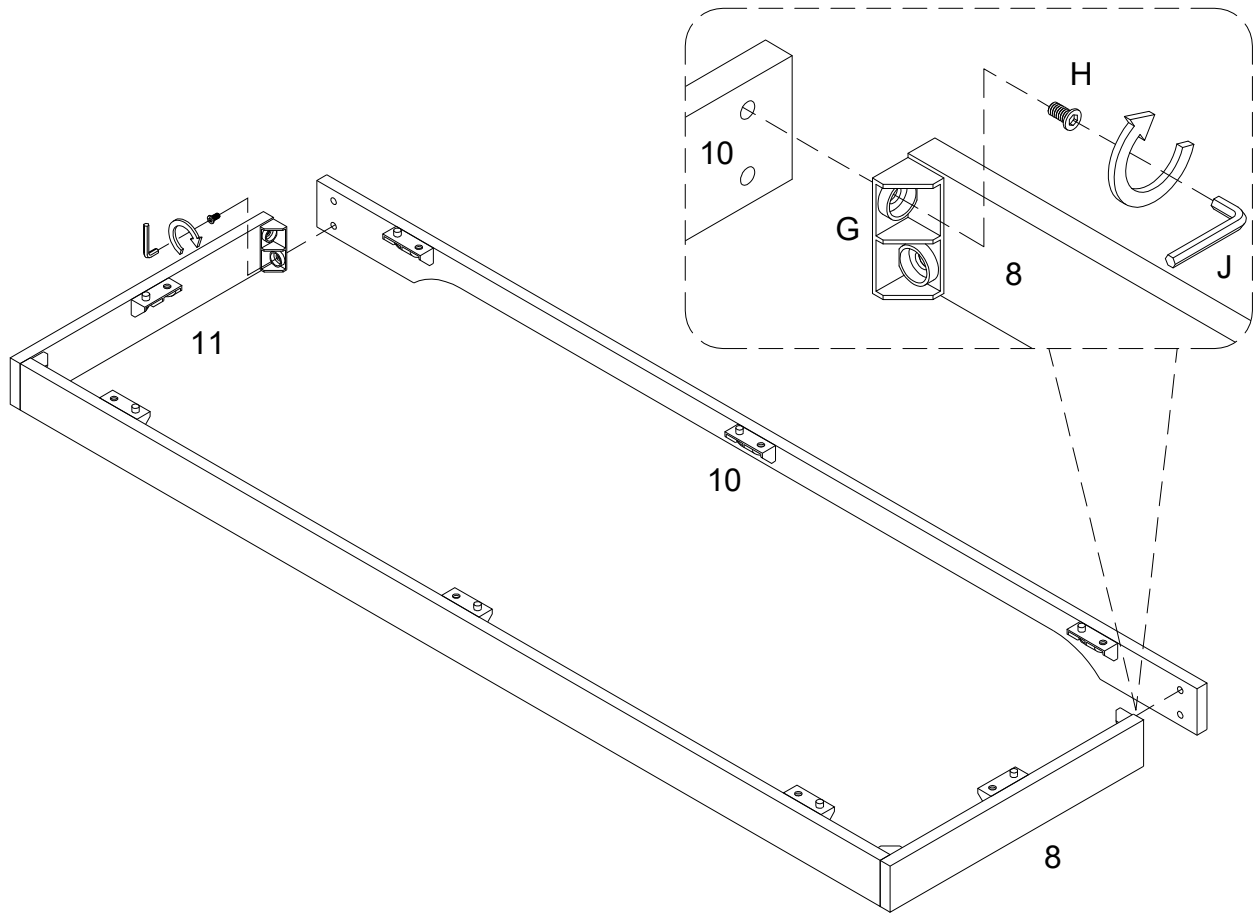
Using bolt (H) secure plastic wedge (G) to parts (8,9,10,11) with hex key (J) as per diagram.

Step 11



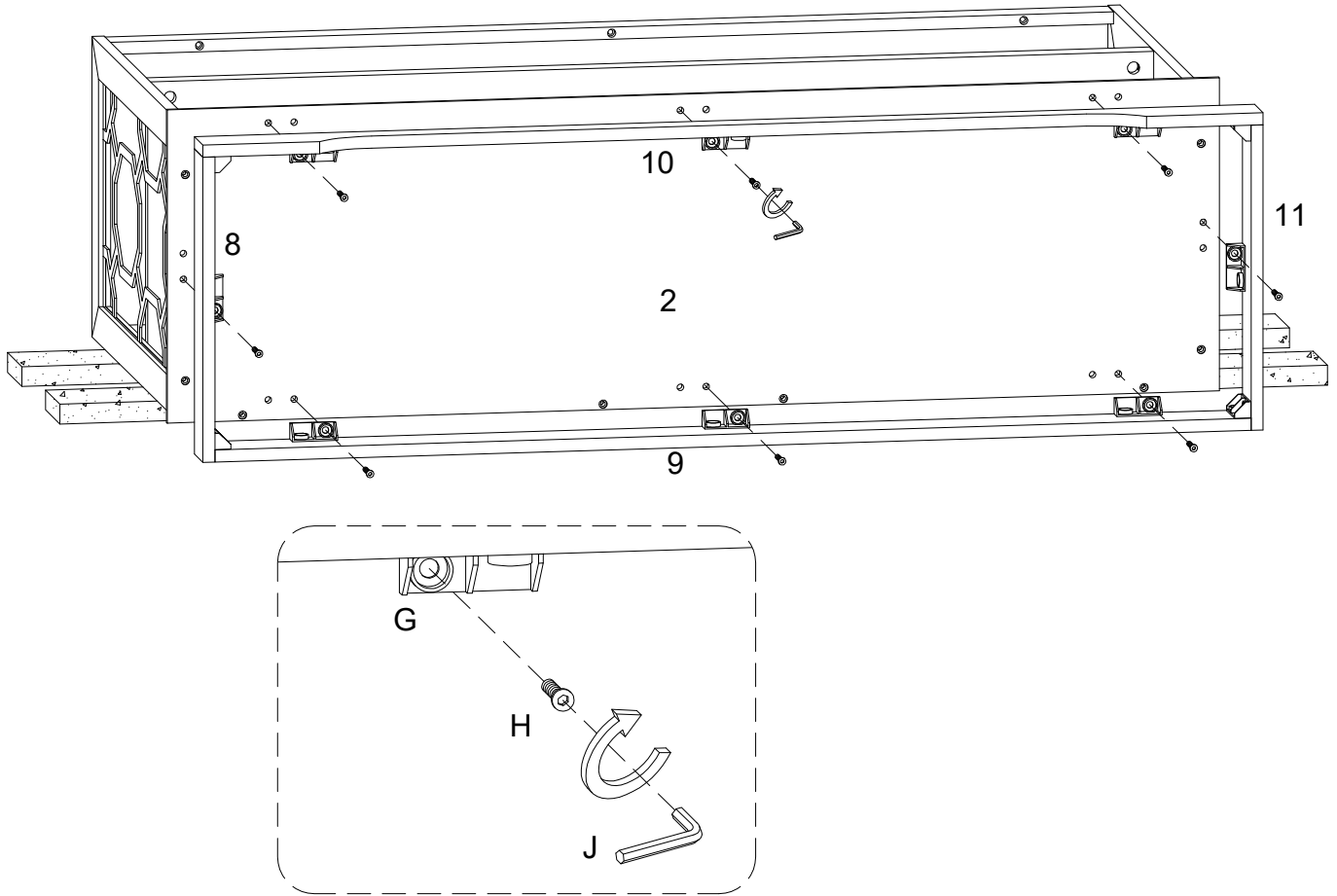
Using bolt (H) attach plastic wedge (G) to secure part (9) to parts (8,11) with hex key (J) as per diagram.

Step 12



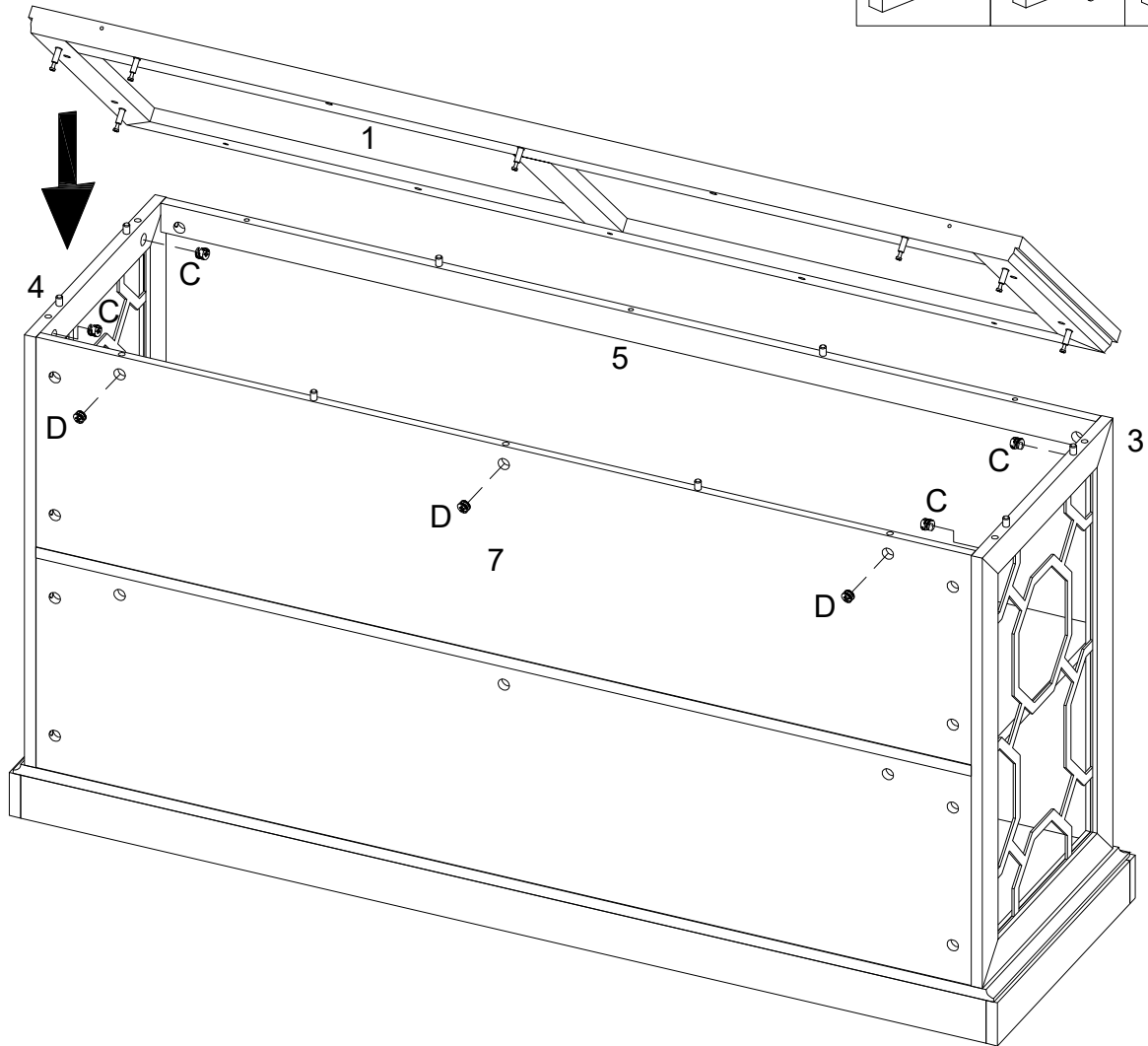
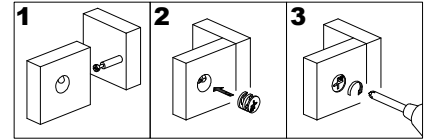
Using bolt (H) attach plastic wedge (G) to secure part (10) to parts (8,11) with hex key (J) as per diagram.

Step 13



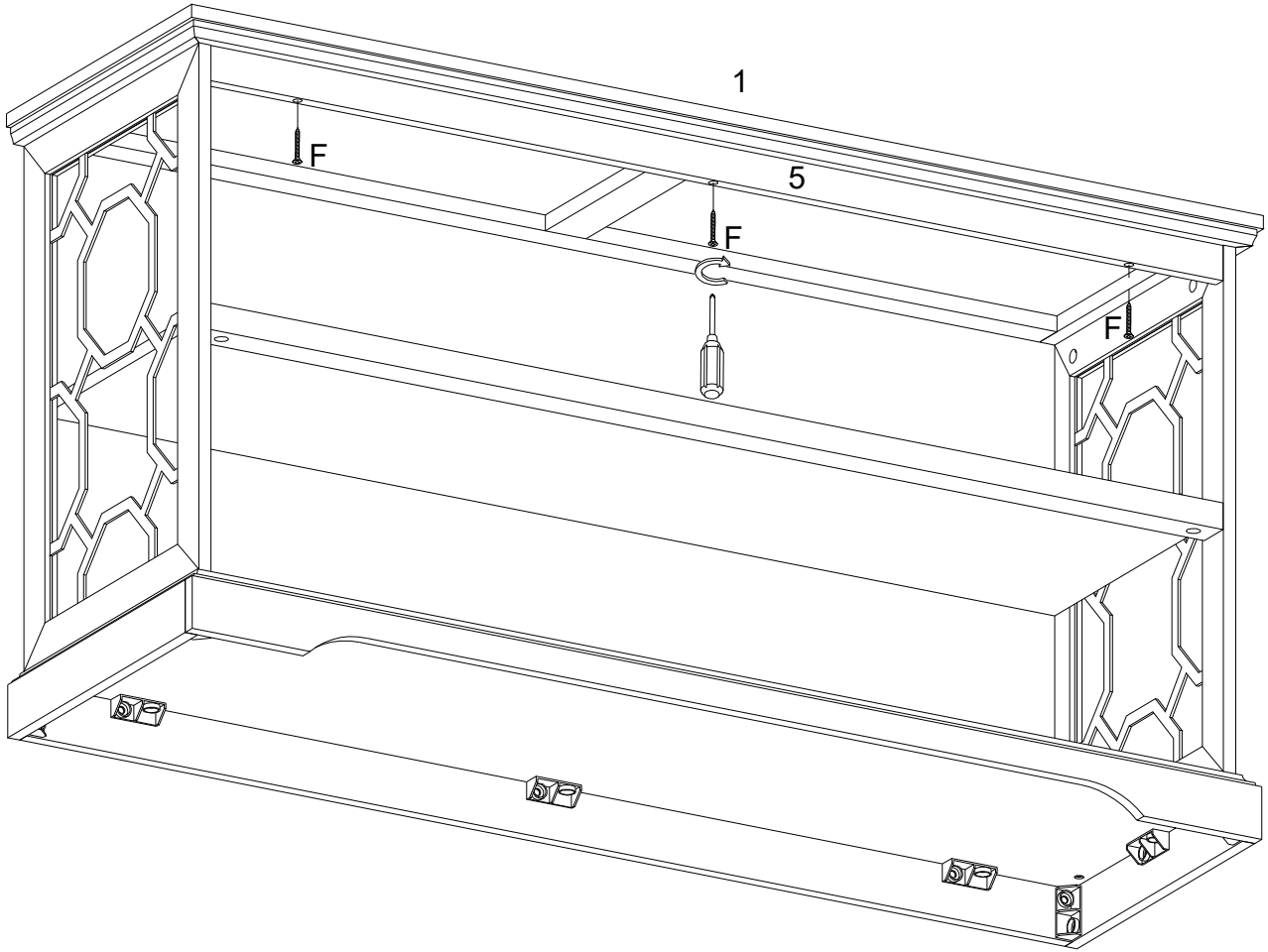
Using bolt (H) attach plastic wedge (G) to parts (8,9,10,11) to part (2) with hex key (J) as per diagram.

Step 14



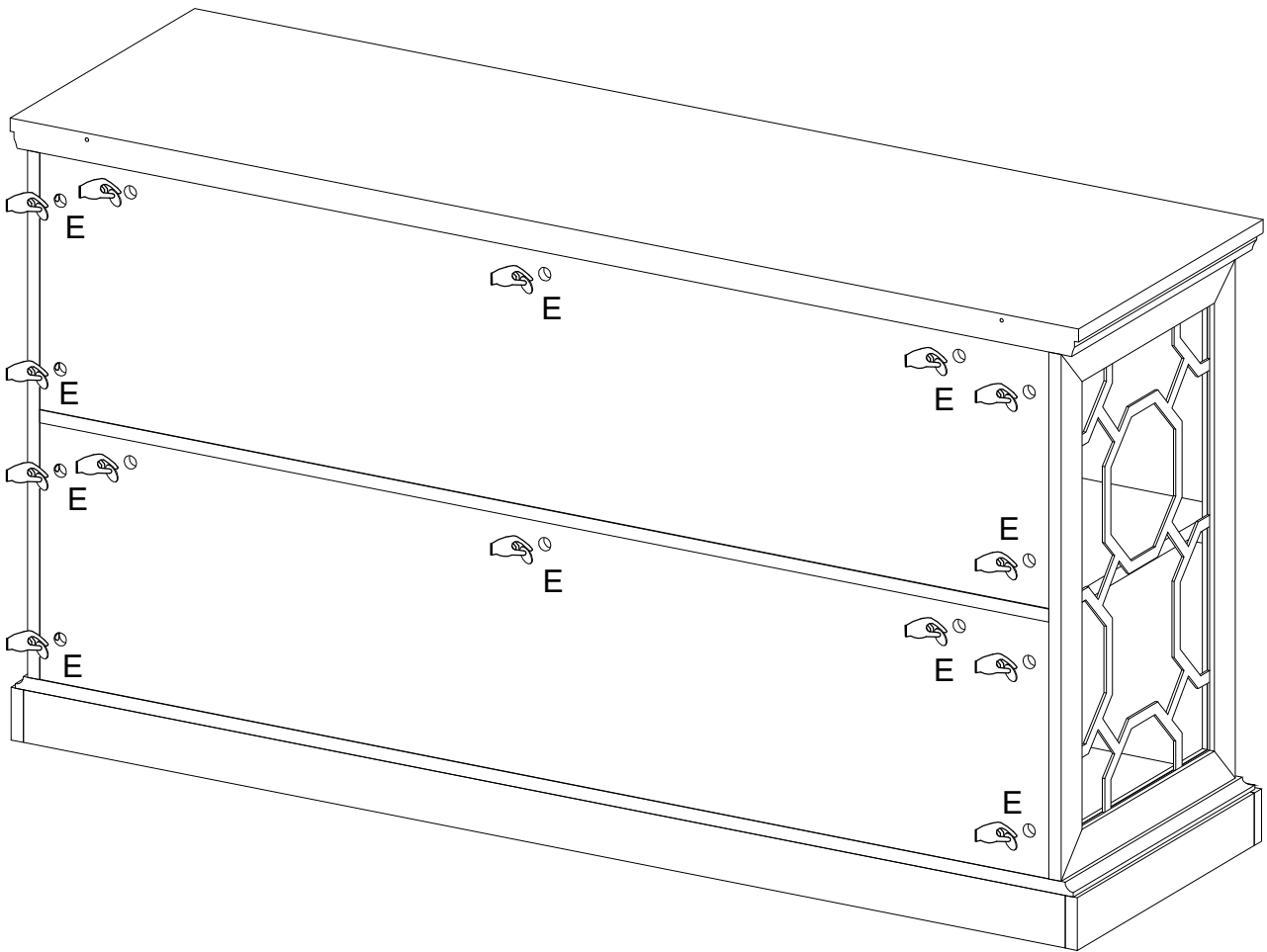
Using cam lock (C) secure part (1) to parts (3,4) and cam lock (D) secure part (1) to part (7) with Philips head screwdriver as per diagram.

Step 15



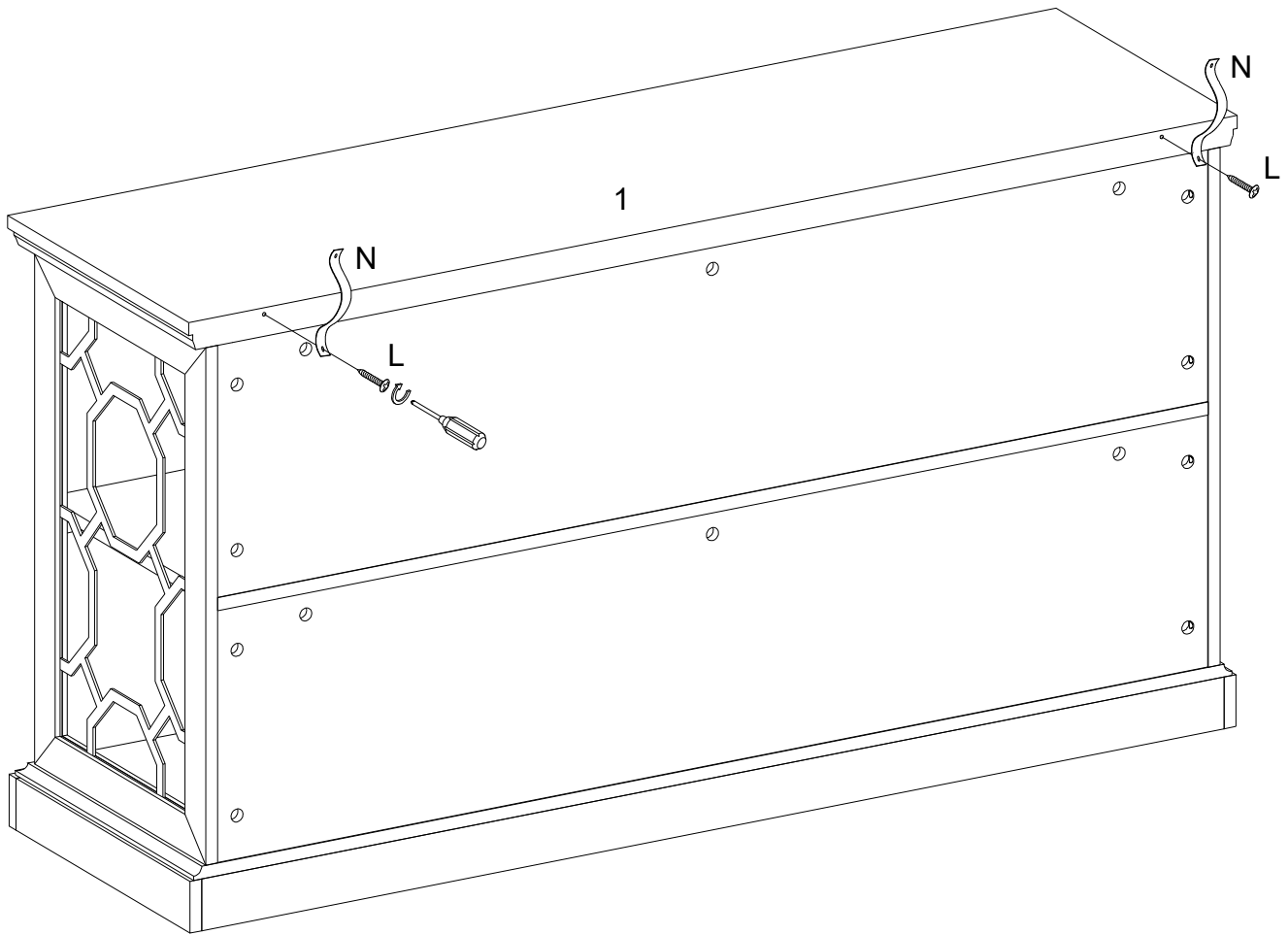
Using screw (F) secure part (5) to part (1) with Philips head screwdriver as per diagram.

Step 16



Place sticker (E) cover the holes as per diagram.

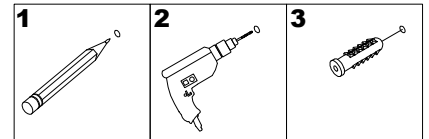
Step 17



Using screw (L) attach plastic strap (N) into part (1) with Philips head screwdriver as per diagram.

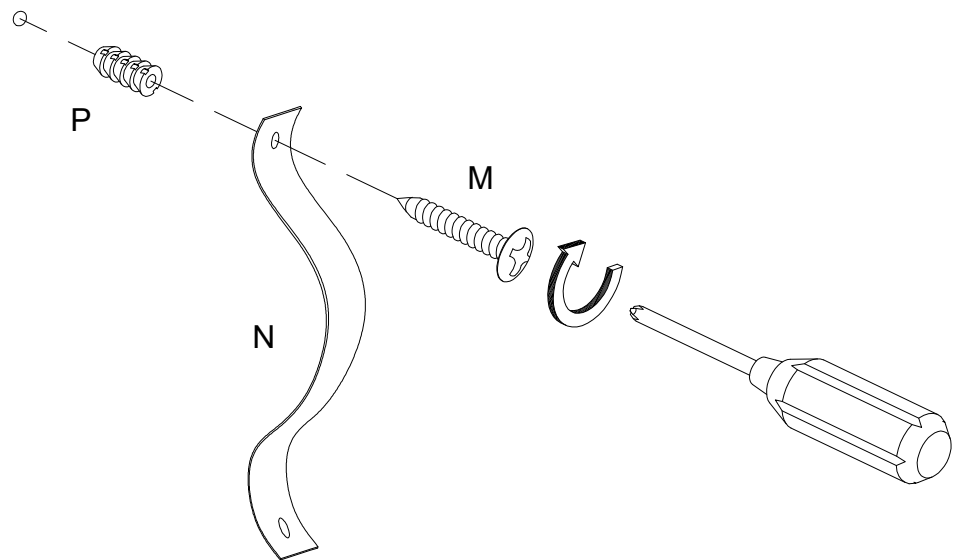
Step 18

WARNING



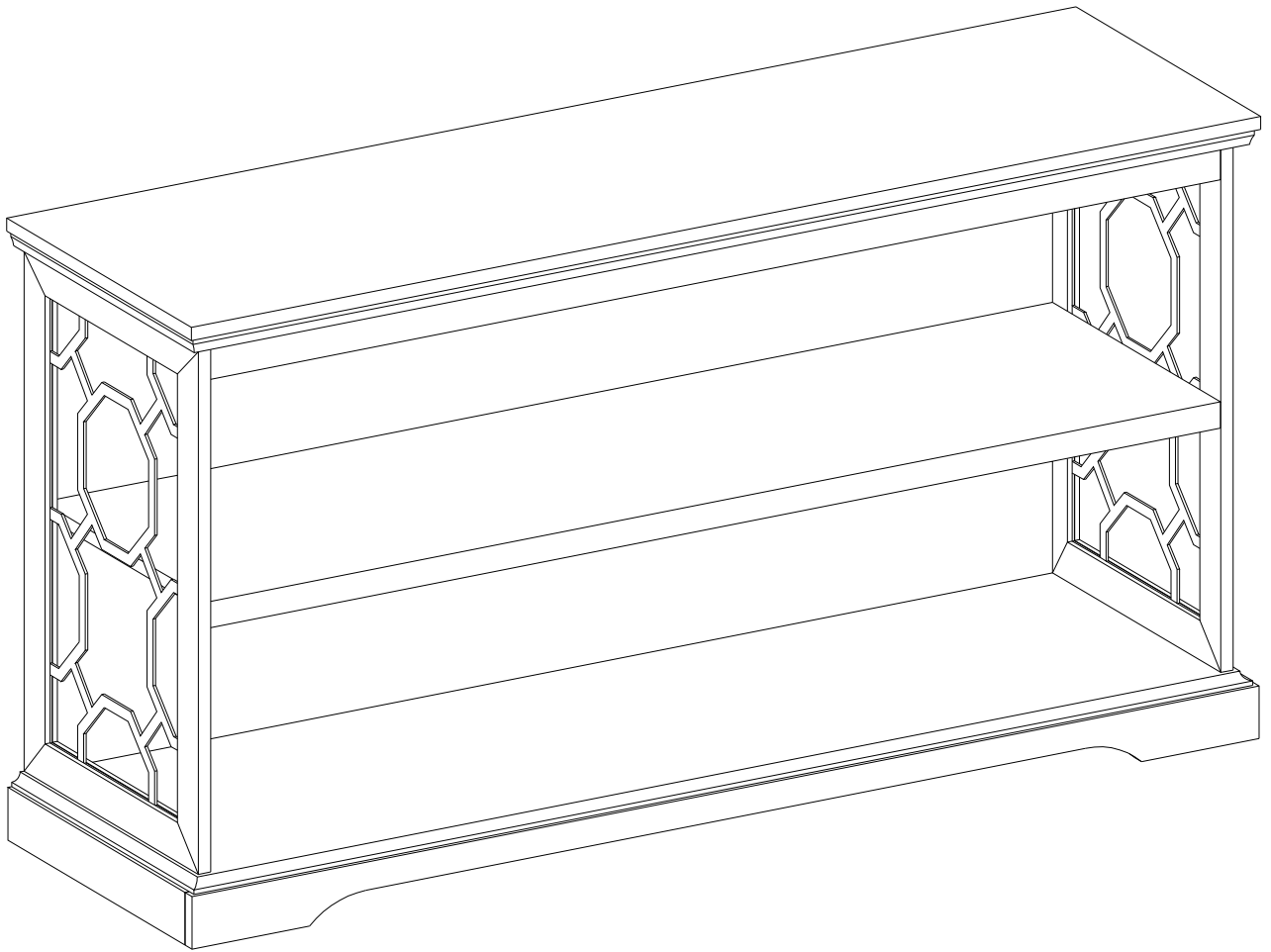
Serious or fatal injuries can occur from furniture tipping over. To prevent the furniture from tipping over we recommend that it is permanently fixed to the wall. Wall anchor and hardware are included with this product. Please make sure hardware is suitable for your walls before installing, as different wall materials may require different types of anchors.

Wall



Using screw (M) attach plastic strap (N) into nut (P) to wall with Philips head screwdriver as per diagram.

Step 19



Final Assembly