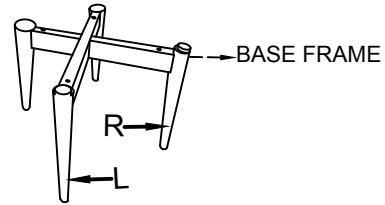
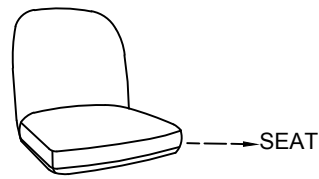
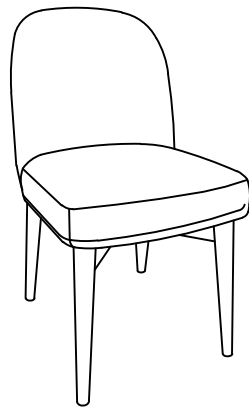


ASSEMBLY INSTRUCTIONS

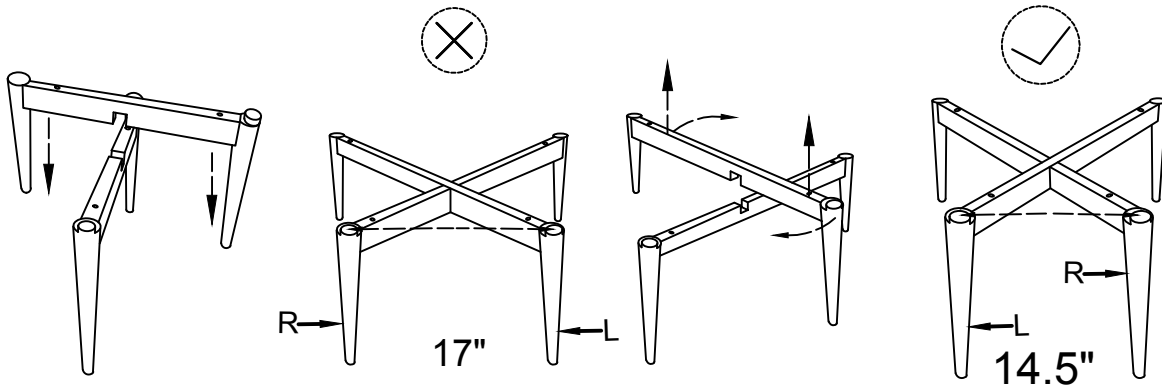
C-FU03410
 C-FU03411
 C-FU03412
 C-FU03413



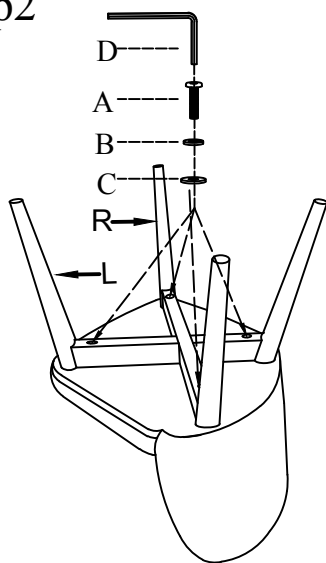
Step 1

Incorrect

Correct

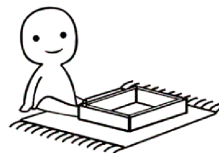
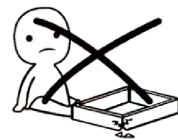


Step 2



IMPORTANT INFORMATION!

please read the entire manual before starting to assemble and/or using this product. follow the manual thoroughly and keep it for further reference.



AVOID SCRATCHES!

In order to avoid scratching this furniture should be assembled on a soft layer- could be a rug.



IMPROVE EFFICIENCY!

Try to find a partner to install with you, which can speed up the installation efficiency and shorten the time.

HARDWARE LIST

A		Bolt (Ø1/4"*3")	4pcs	D		Allen Wrench (4mm)	1pc
B		Lock Washer (Ø1/4")	4pcs			Foot Pads (Ø20*3mm)	4pcs
C		Flat Washer (Ø1/4"*Ø3/4")	4pcs				