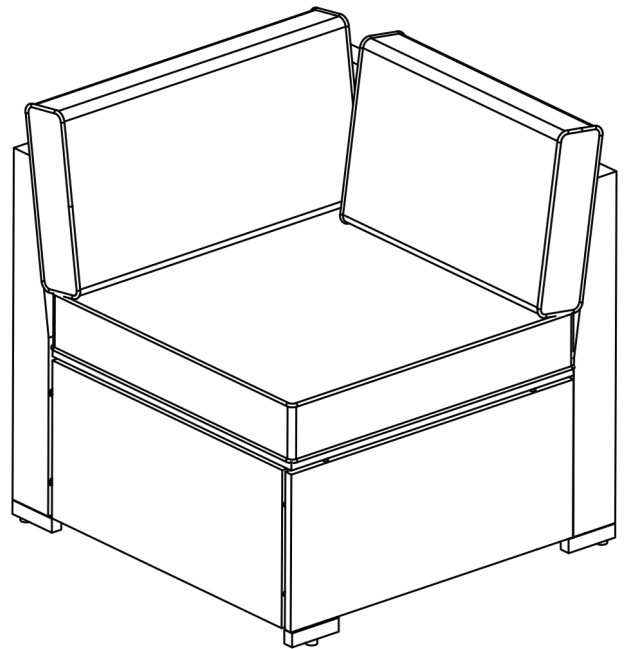
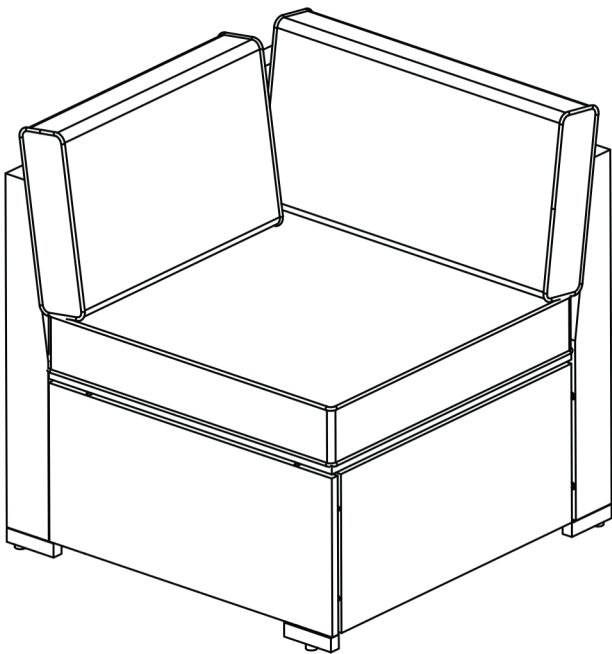


# **2 Pcs Corner Sofa**

---



# NOTICE



**Please retain these instructions for future reference.**

## Dear Customer

Thank you for your purchase.

When you receive the product, please make sure that all the parts are intact.




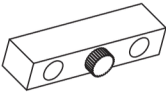
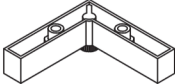

Then please browse the entire installation manual before assembly.

If problem occur unsatisfactorily as follows

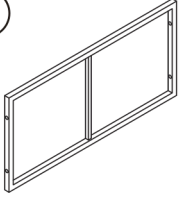
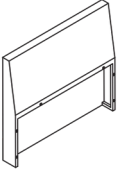
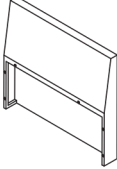
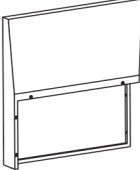
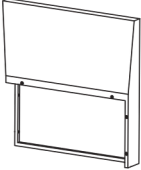
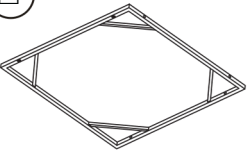
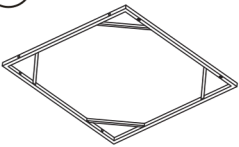
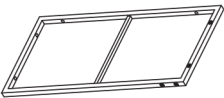
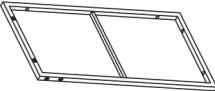
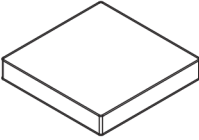
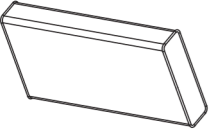
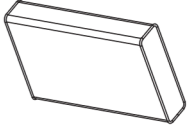
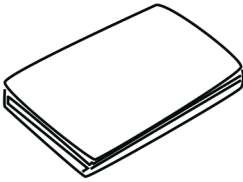
- A** . The outer box is damaged
- B** . The product is damaged / bent / cracked while you open the box
- C** . The parts / accessories / assembly tools are missing
- D** . The product is hard to assemble
- E** . The instructions are not clear and can not be referred
- F** . The product has functional problems
- G** . Other aspects that you are not satisfied with

Please do not hesitate to contact us for help. Our team with factory direct after-sales service will reply within 24 hours and will do our best to resolve the problem for you.

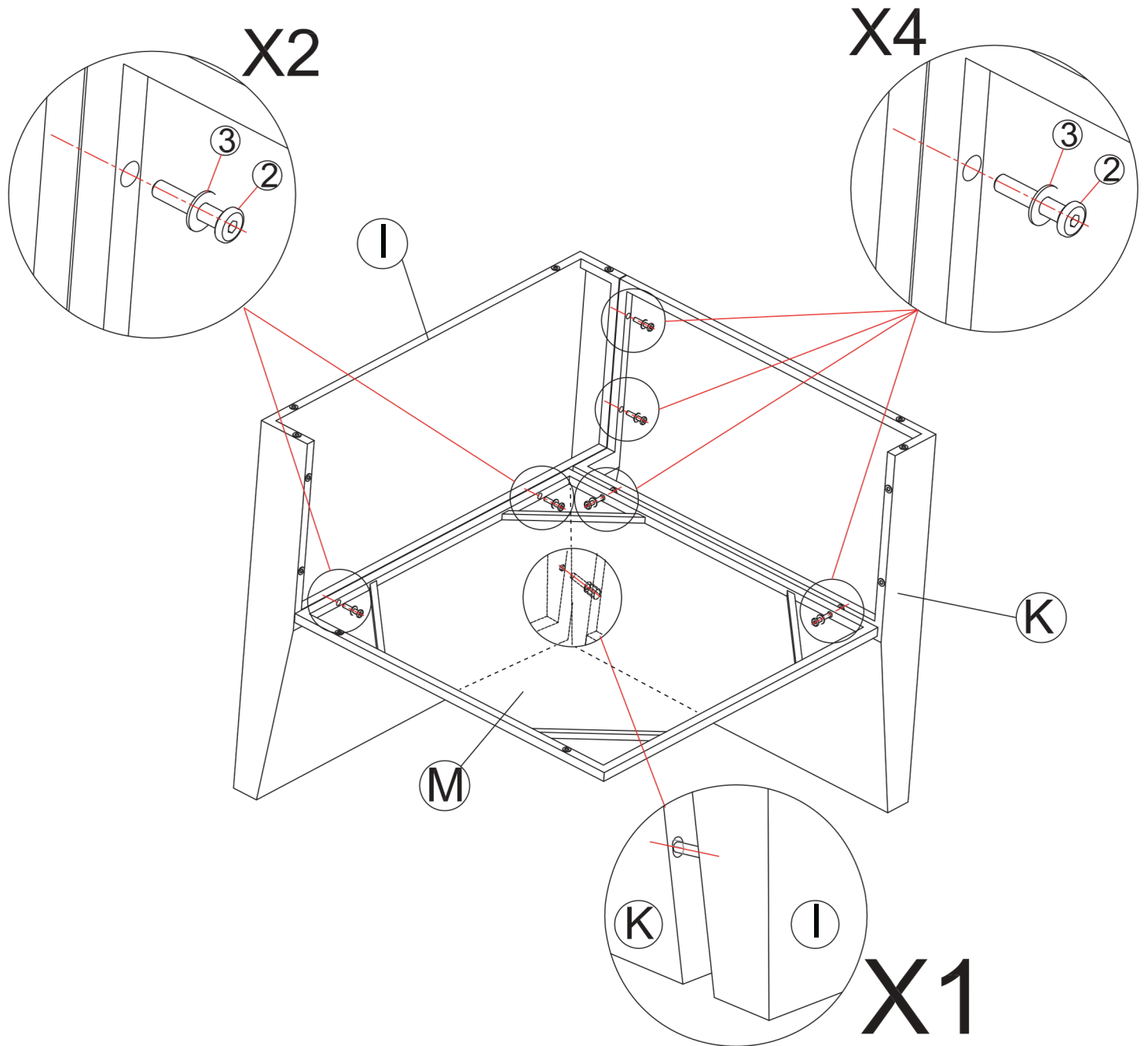
# HARDWARE LIST

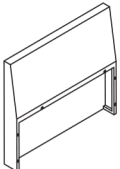
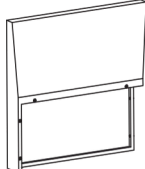
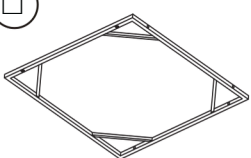


 M6*25 mm Bolt	 M6*30 mm Bolt	 Φ6*12 Washer	 Floor Mat	 L Floor Mat
16 pc	28 pc	28 pc	2 pc	6 pc
 Hex Wrench				
1 pc				

# PART LIST

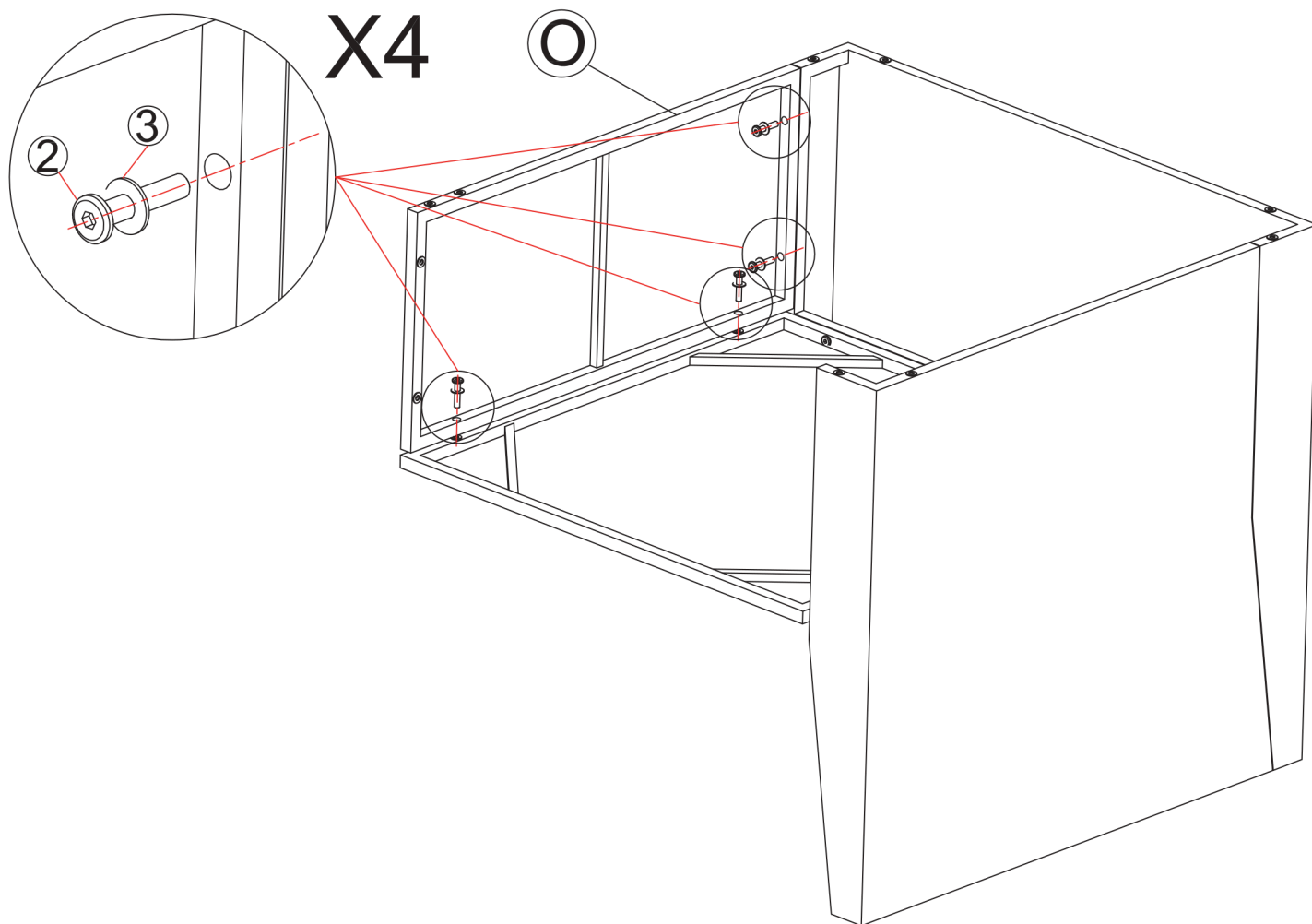
 <p>(Side Panel)</p> <p>2 pc</p>	 <p>(Left Armrest)</p> <p>1 pc</p>	 <p>(Right Armrest)</p> <p>1 pc</p>	 <p>(Left Backrest)</p> <p>1 pc</p>	 <p>(Right Backrest)</p> <p>1 pc</p>
 <p>(Left Seat Panel)</p> <p>1 pc</p>	 <p>(Right Seat Panel)</p> <p>1 pc</p>	 <p>(Front Panel Left)</p> <p>1 pc</p>	 <p>(Front Panel Right)</p> <p>1 pc</p>	 <p>(Seat Cushion)</p> <p>2 pc</p>
 <p>(Back Cushion)</p> <p>2 pc</p>	 <p>(Back Cushion)</p> <p>2 pc</p>	 <p>Cover</p> <p>1 pc</p>		

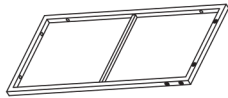


# STEP 1 Left Armrest Sofa



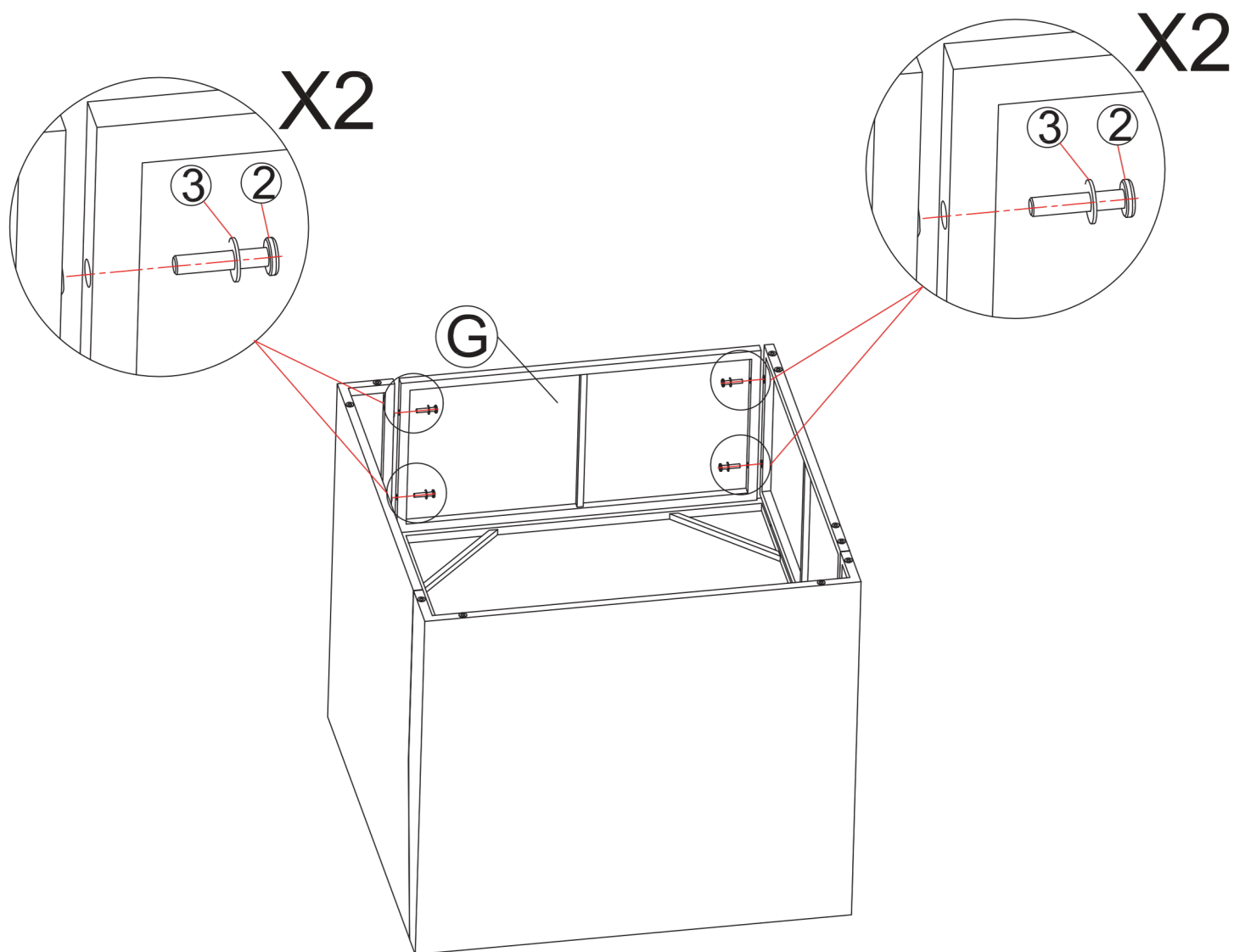
 <p>(Left Armrest)</p>	 <p>(Left Backrest)</p>	 <p>(Left Seat Panel)</p>	 <p>M6*30 mm Bolt</p>	 <p>Φ6*12 Washer</p>
1 pc	1 pc	1 pc	6 pc	6 pc

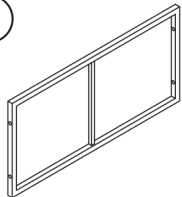


# STEP 2 Left Armrest Sofa



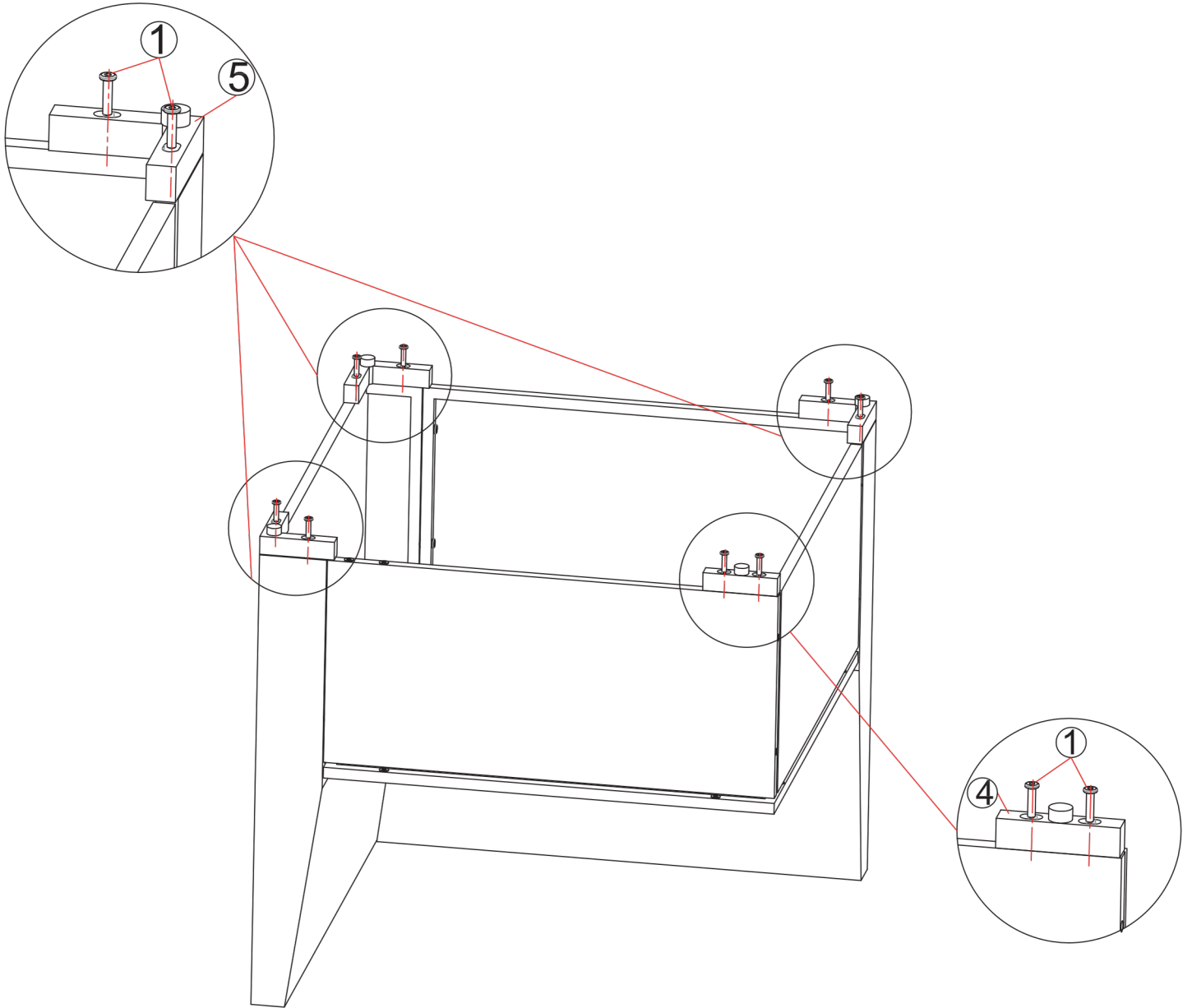
 (Front Panel Left)	 M6*30 mm Bolt	 Φ6*12 Washer
1 pc	4 pc	4 pc


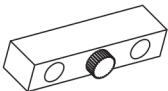
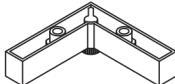
# STEP 3 Left Armrest Sofa



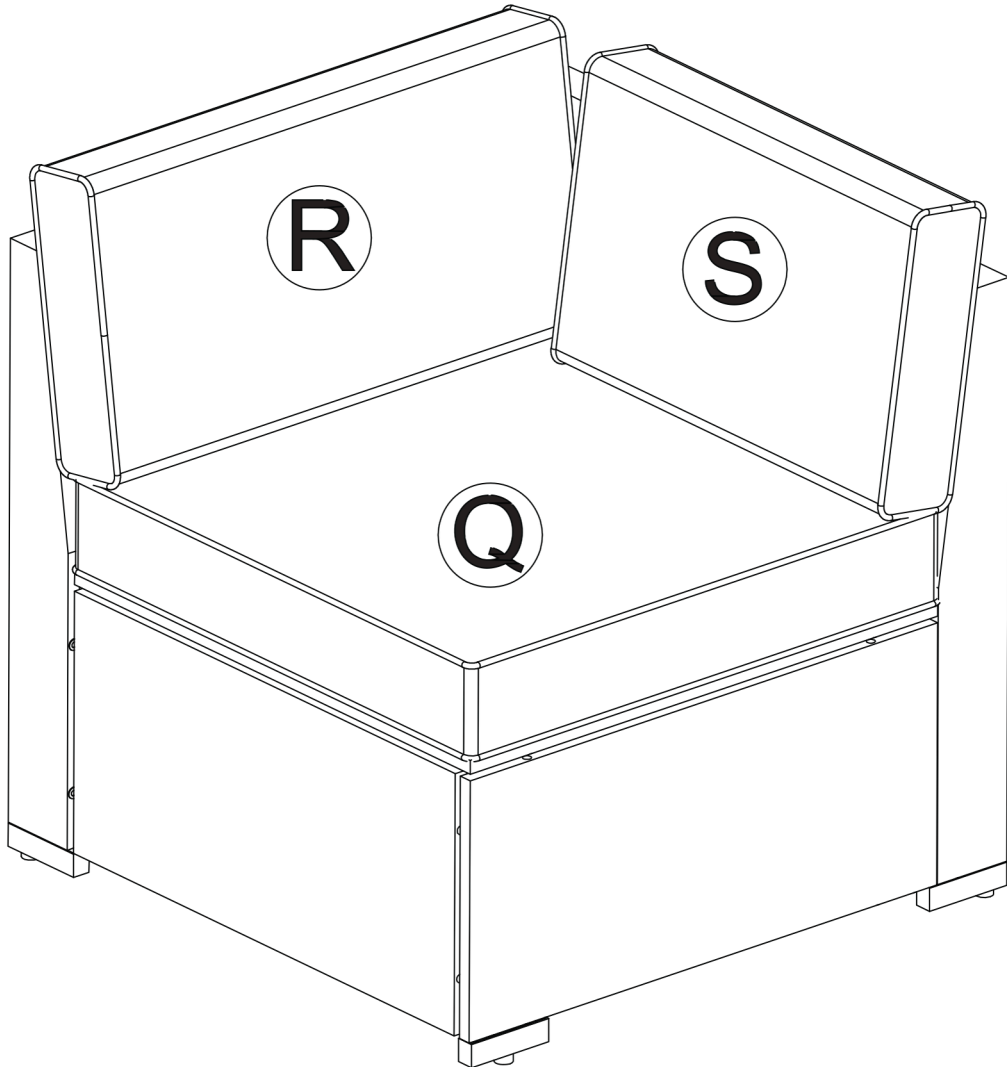
 (Side Panel)	 M6*30 mm Bolt	 Φ6*12 Washer
1 pc	4 pc	4 pc

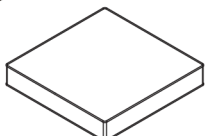
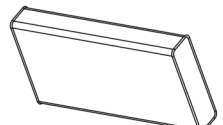
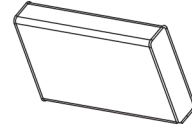
# STEP 4 Left Armrest Sofa



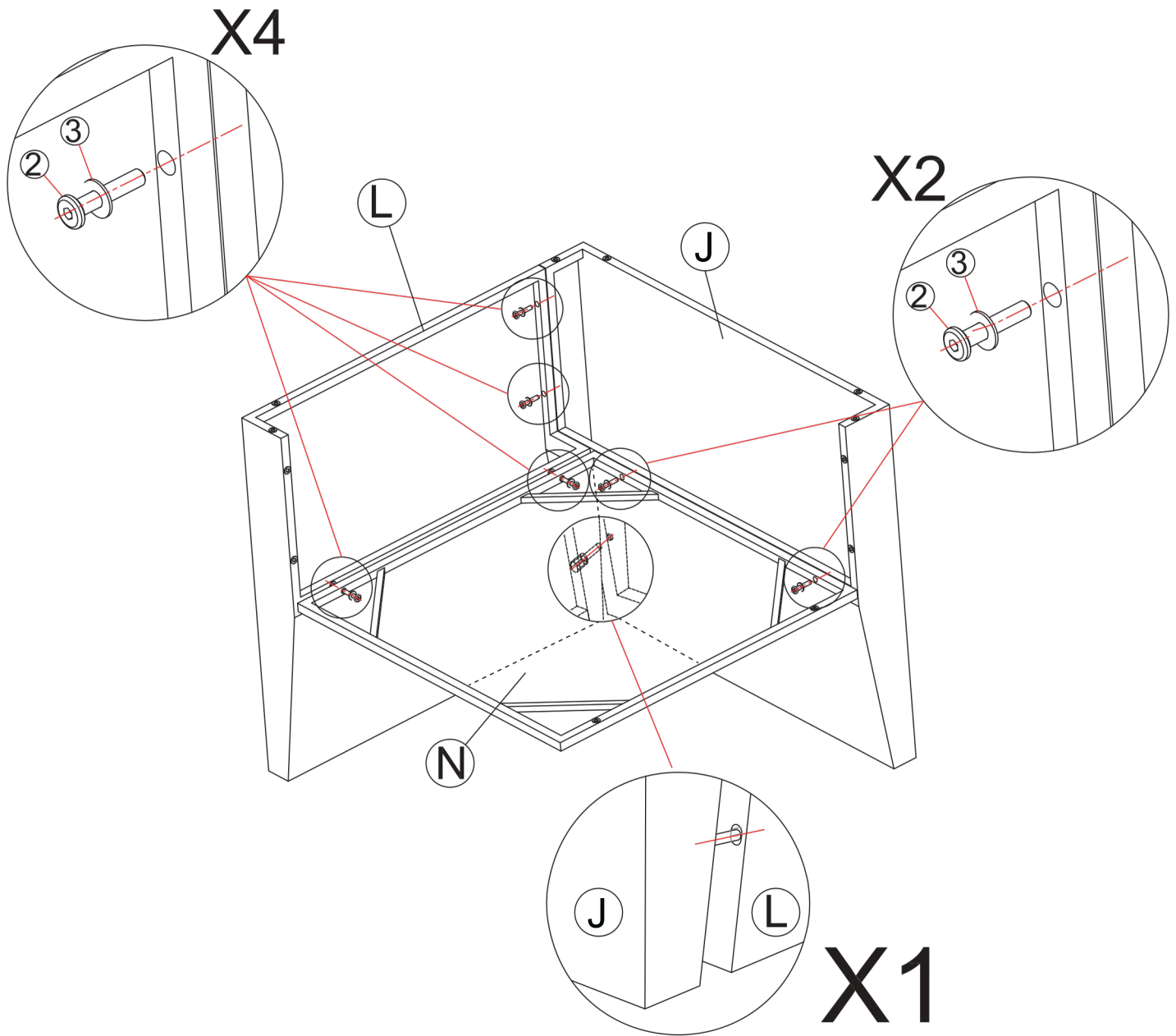
<p>①</p>  <p>M6*25 mm Bolt</p>	<p>④</p>  <p>Floor Mat</p>	<p>⑤</p>  <p>L Floor Mat</p>
<p>8 pc</p>	<p>1 pc</p>	<p>3 pc</p>

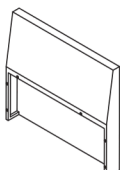
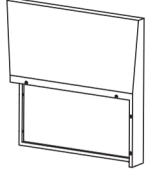
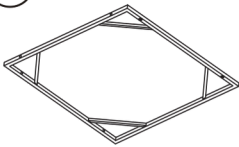


# STEP 5 Left Armrest Sofa



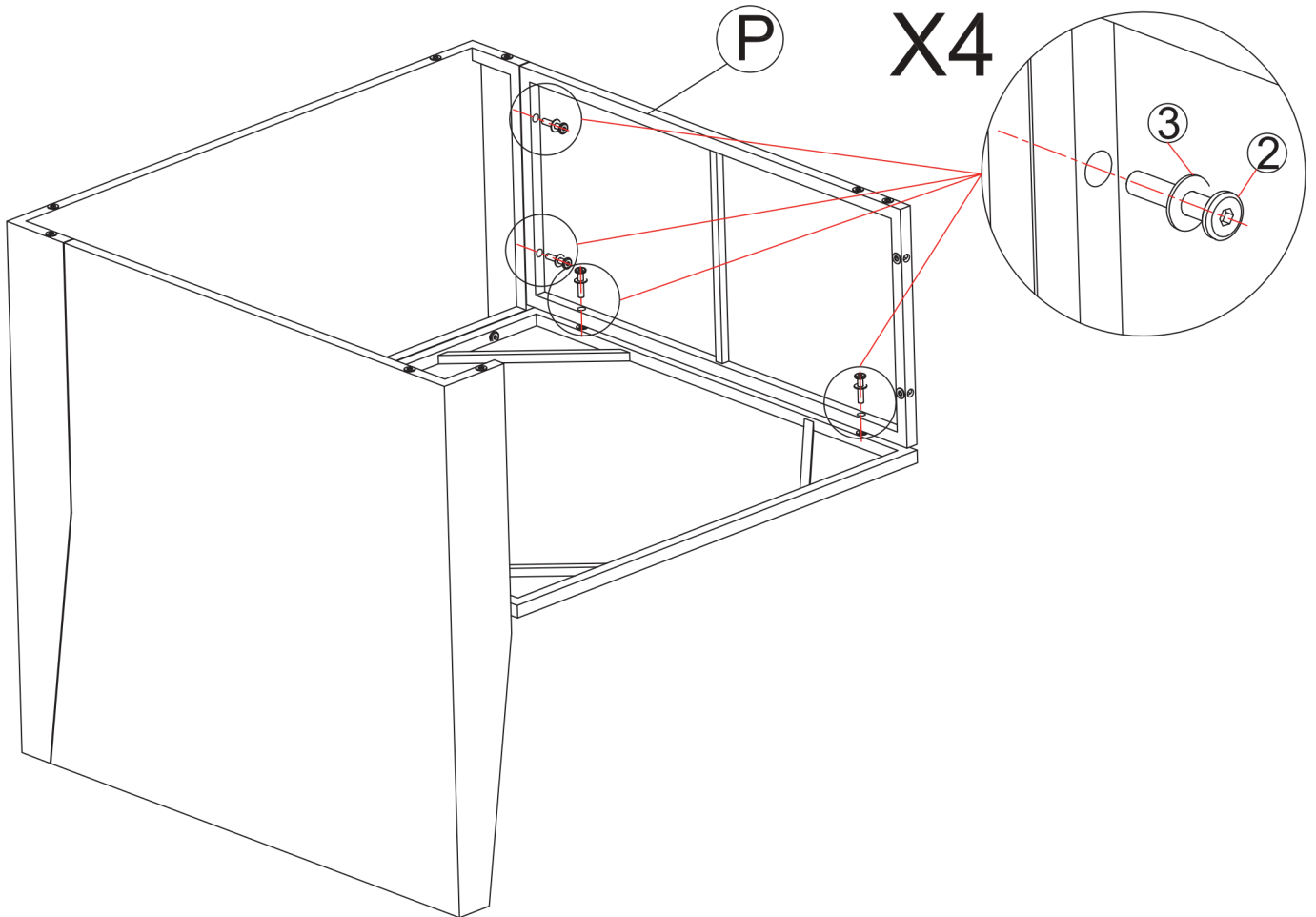
 Q	 R	 S
(Seat Cushion)	(Back Cushion)	(Back Cushion)
1 pc	1 pc	1 pc


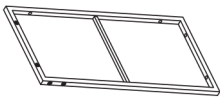


# STEP 6 Right Armrest Sofa



<p>(J)</p>  <p>(Right Armrest)</p>	<p>(L)</p>  <p>(Right Backrest)</p>	<p>(N)</p>  <p>(Right Seat Panel)</p>	<p>(2)</p>  <p>M6*30 mm Bolt</p>	<p>(3)</p>  <p>Φ6*12 Washer</p>
<p>1 pc</p>	<p>1 pc</p>	<p>1 pc</p>	<p>6 pc</p>	<p>6 pc</p>

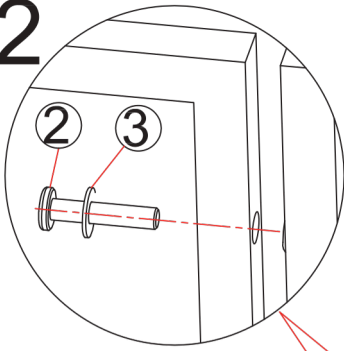
# STEP 7 Right Armrest Sofa



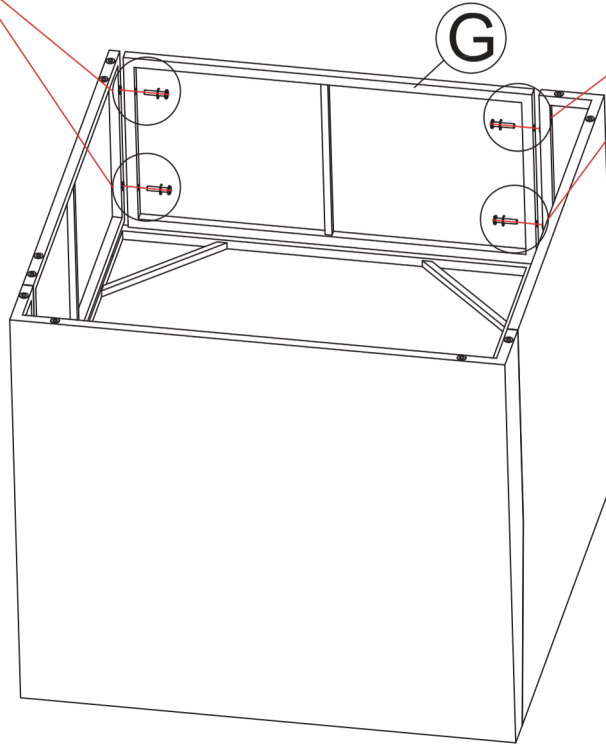
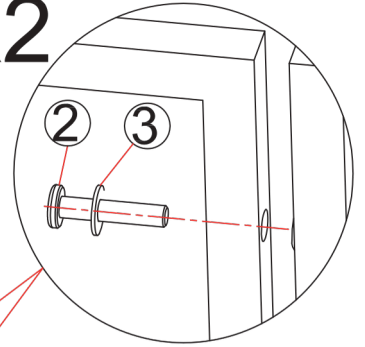
  (Front Panel Right)	 M6*30 mm Bolt	 Φ6*12 Washer
1 pc	4 pc	4 pc

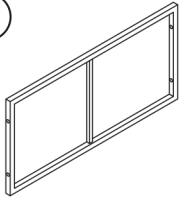


# STEP 8 Right Armrest Sofa

X2

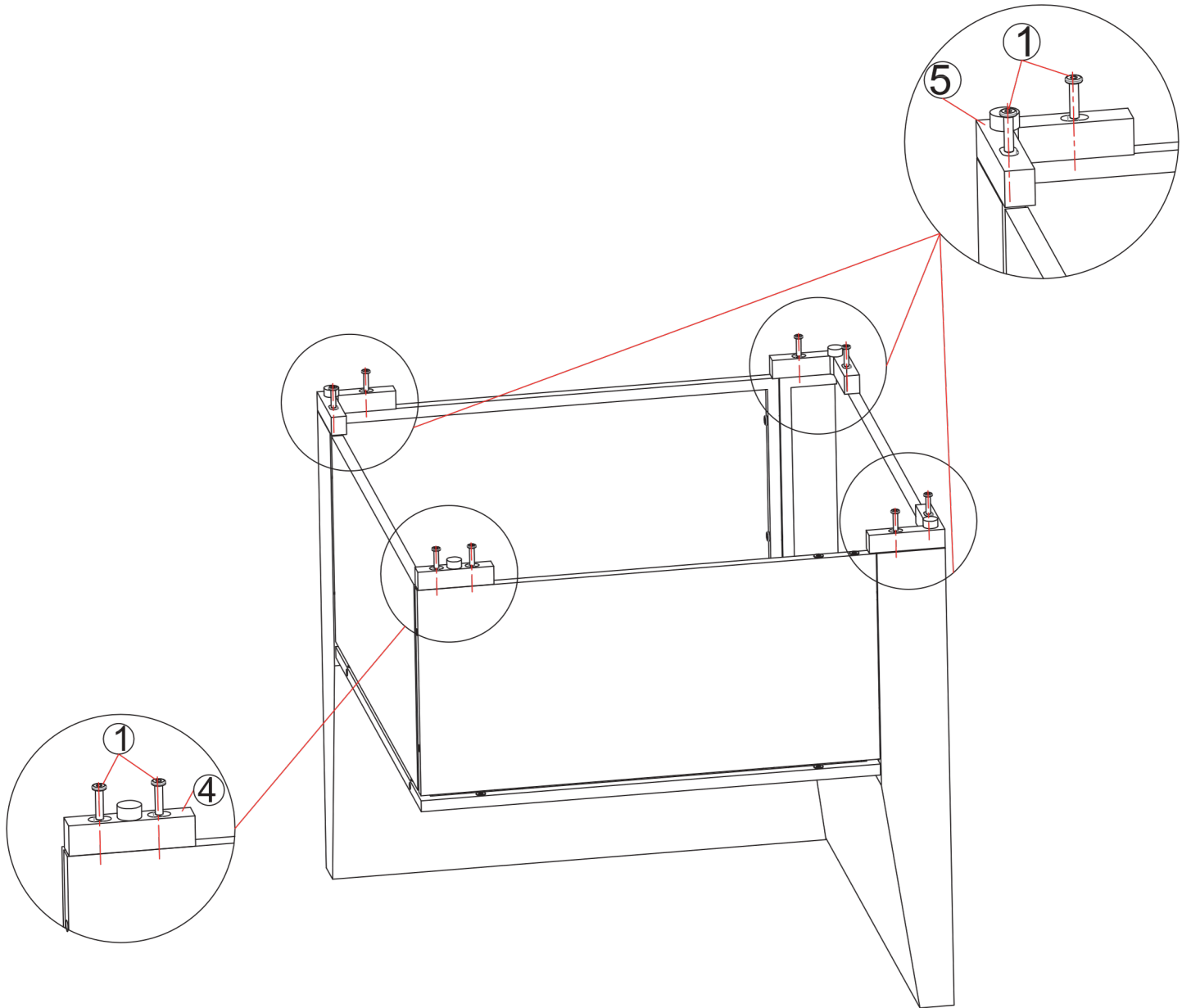



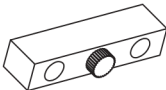
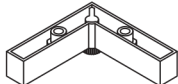
X2



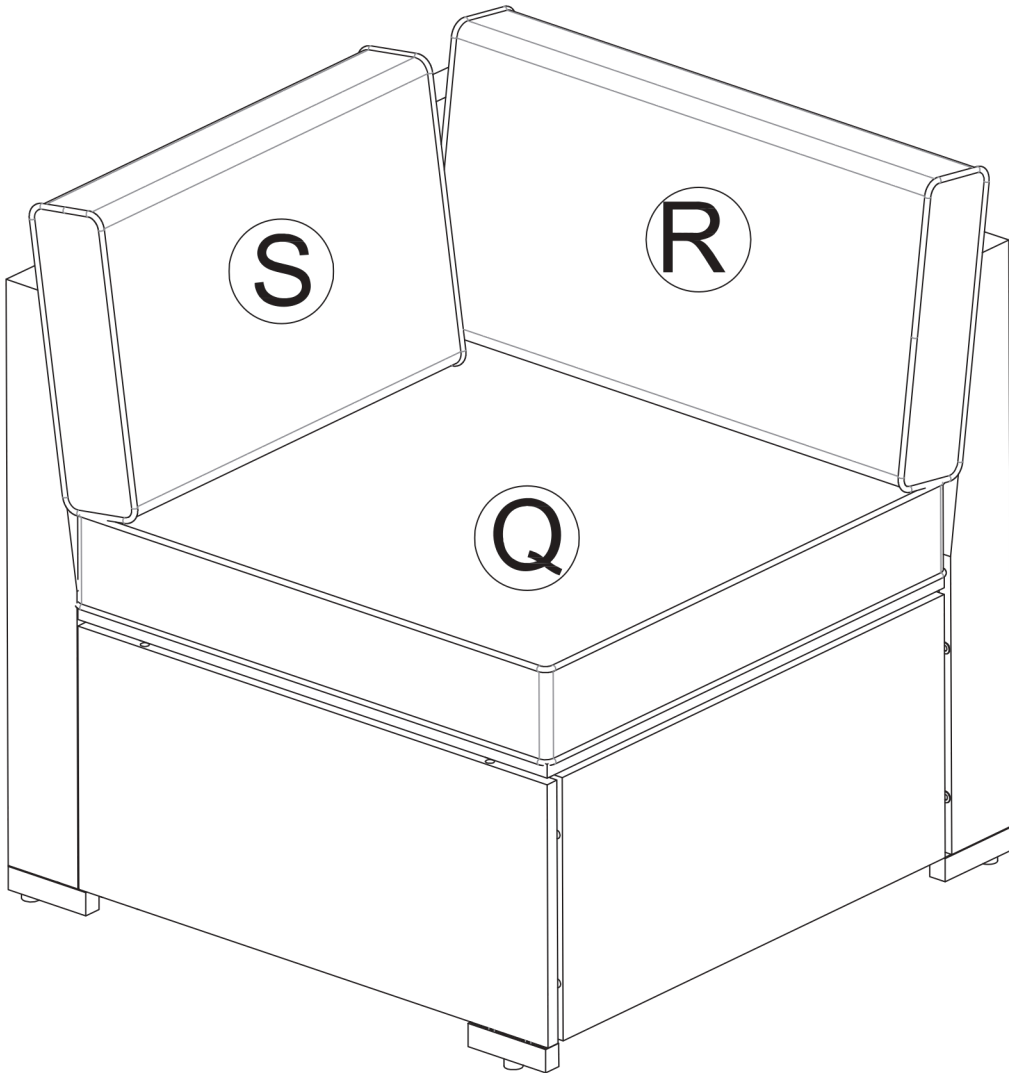
 (Side Panel)	 M6*30 mm Bolt	 Φ6*12 Washer
1 pc	4 pc	4 pc

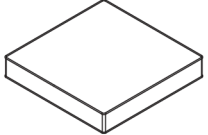
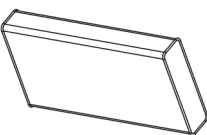
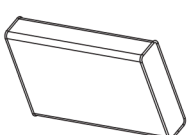
# STEP 9 Right Armrest Sofa



<p>①</p>  <p>M6*25 mm Bolt</p>	<p>④</p>  <p>Floor Mat</p>	<p>⑤</p>  <p>L Floor Mat</p>
8 pc	1 pc	3 pc

# STEP 10 Right Armrest Sofa



 Q	 R	 S
(Seat Cushion)	(Back Cushion)	(Back Cushion)
1 pc	1 pc	1 pc

### **AFTER-SALE SERVICE CARD**

If you have any suggestions for our products or find that the products have quality problems, please contact us first, our after-sales team will reply you within 24 hours, and we will do our best to give you solutions until you are satisfied.

### **Guaranteed Customer Service**

Your shopping experience is very important to us!

Feel unsatisfied? **Contact us!**

Have any questions? **Contact us!**

Wanna Share how wonderful our smart products makes your home?

Share your pictures with us.

Any suggestions? **Contact us!**

We gotcha back!