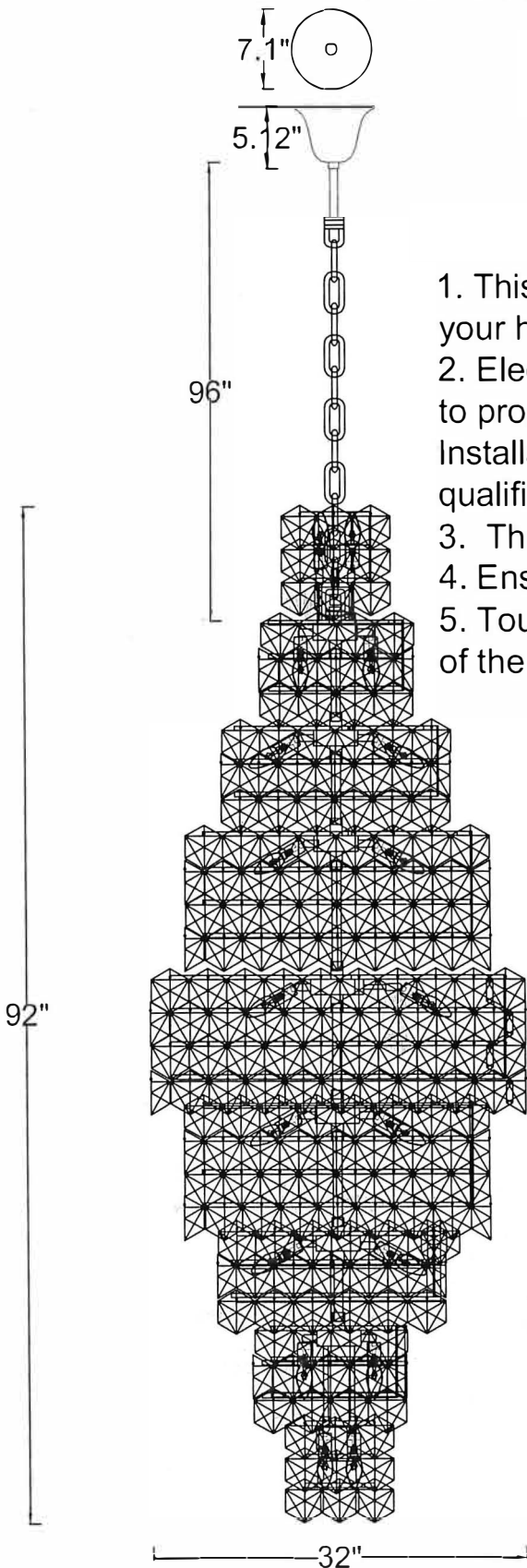


Assembling Instruction

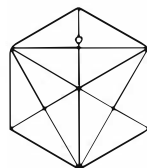


Warning!!!

1. This lamp total net weight over 255 pounds, making sure your home canopy is strong enough to hold this fixture
2. Electrical products can cause death, injury, or damage to property.
Installation of this product must be carried out by a qualified electrician
3. This fitting must be earthed.
4. Ensure all items and screws are tight.
5. Touching the frame with fingers will reduce the lifespan of the lamp. Use a cloth or tissue

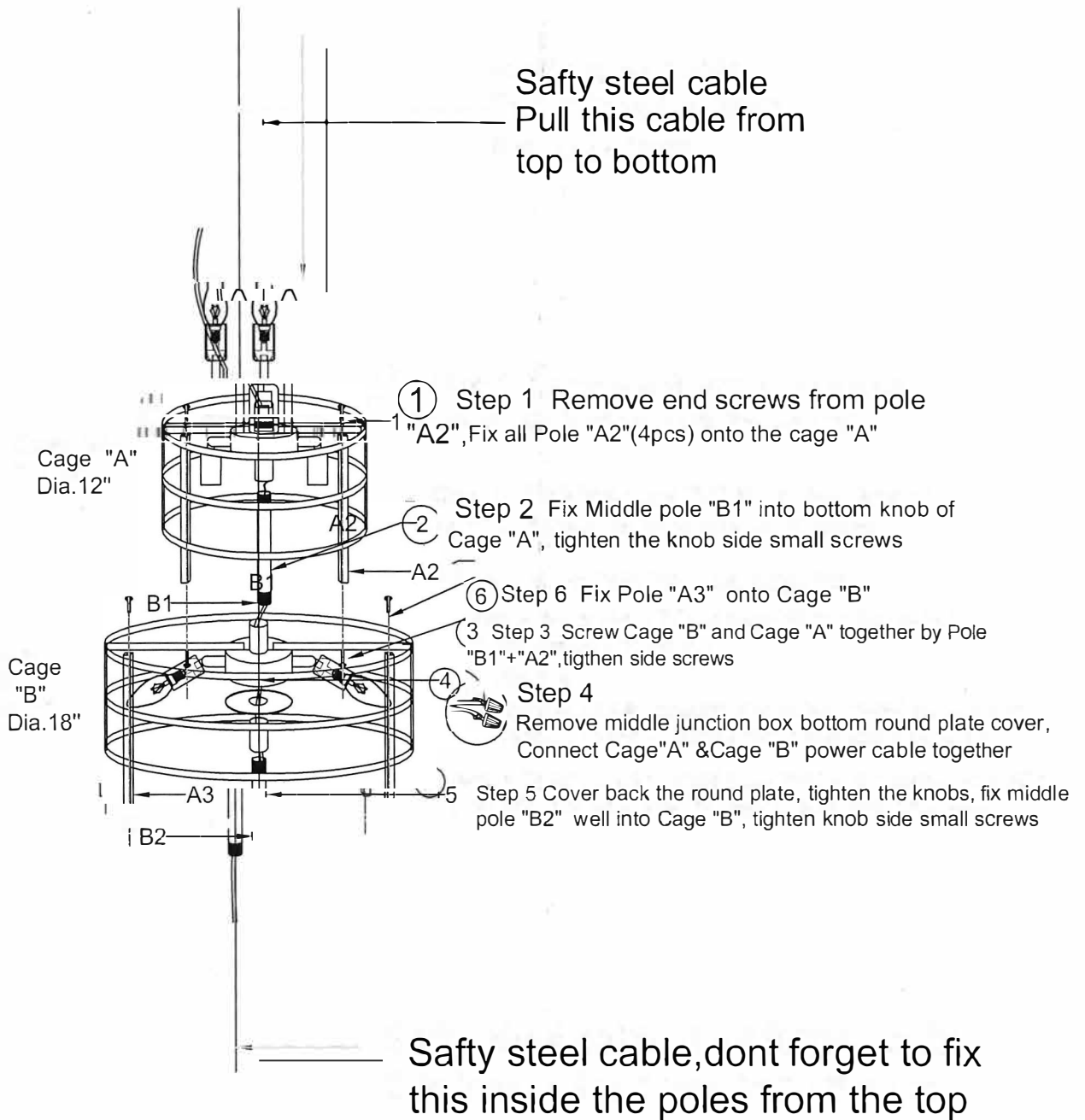
Fixture information:

1. Voltage: 110-120V
2. Rated Power: 56*25W (Suggest Led bulb)
3. Lampholder: E12
4. Protection Against Electric Shock: CLASS I, earth wire is requested.
5. IP RATING: Ip20
6. Fixture Type: Steel Body+K9 crystal

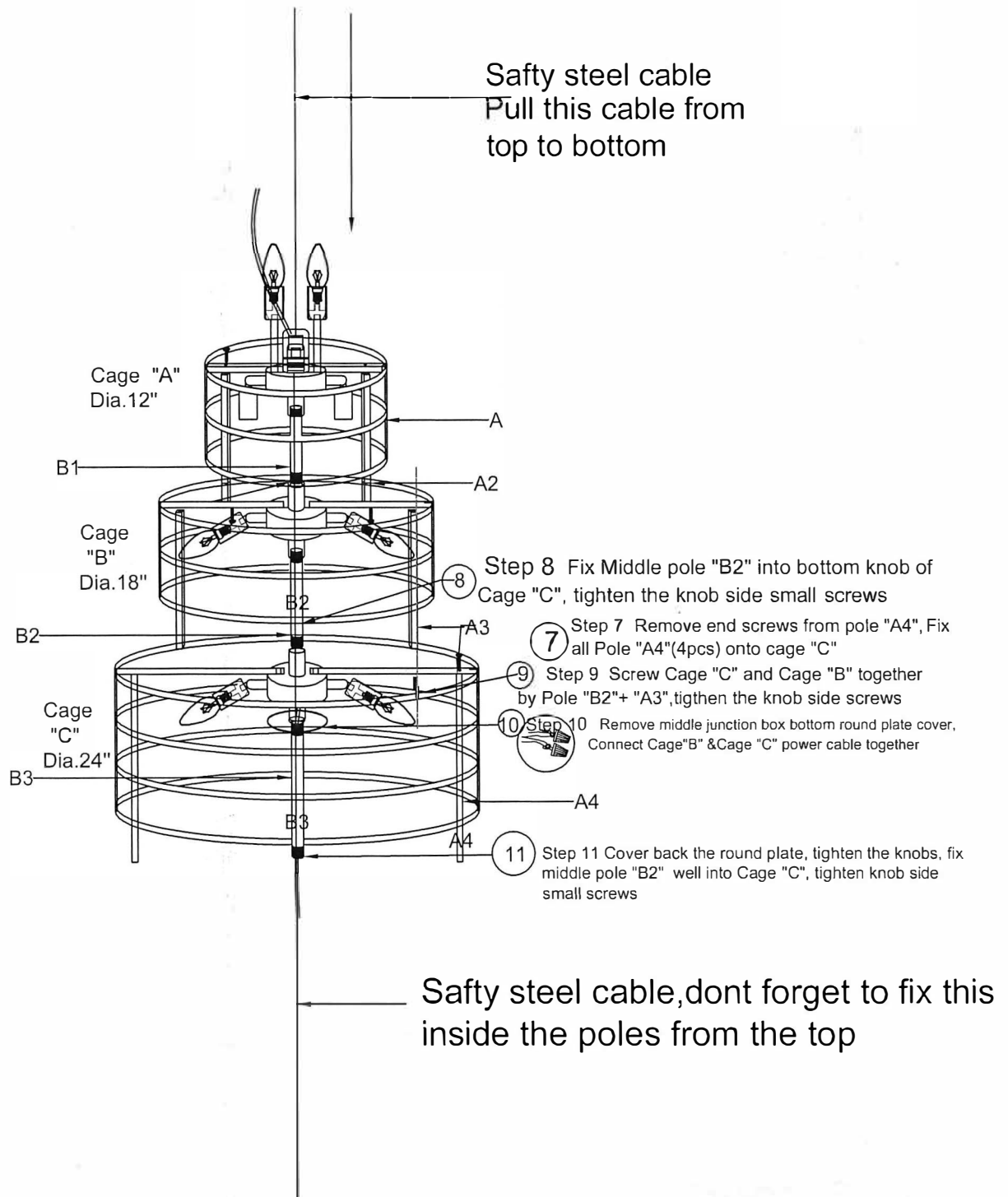


Crystal QTY:488PCS

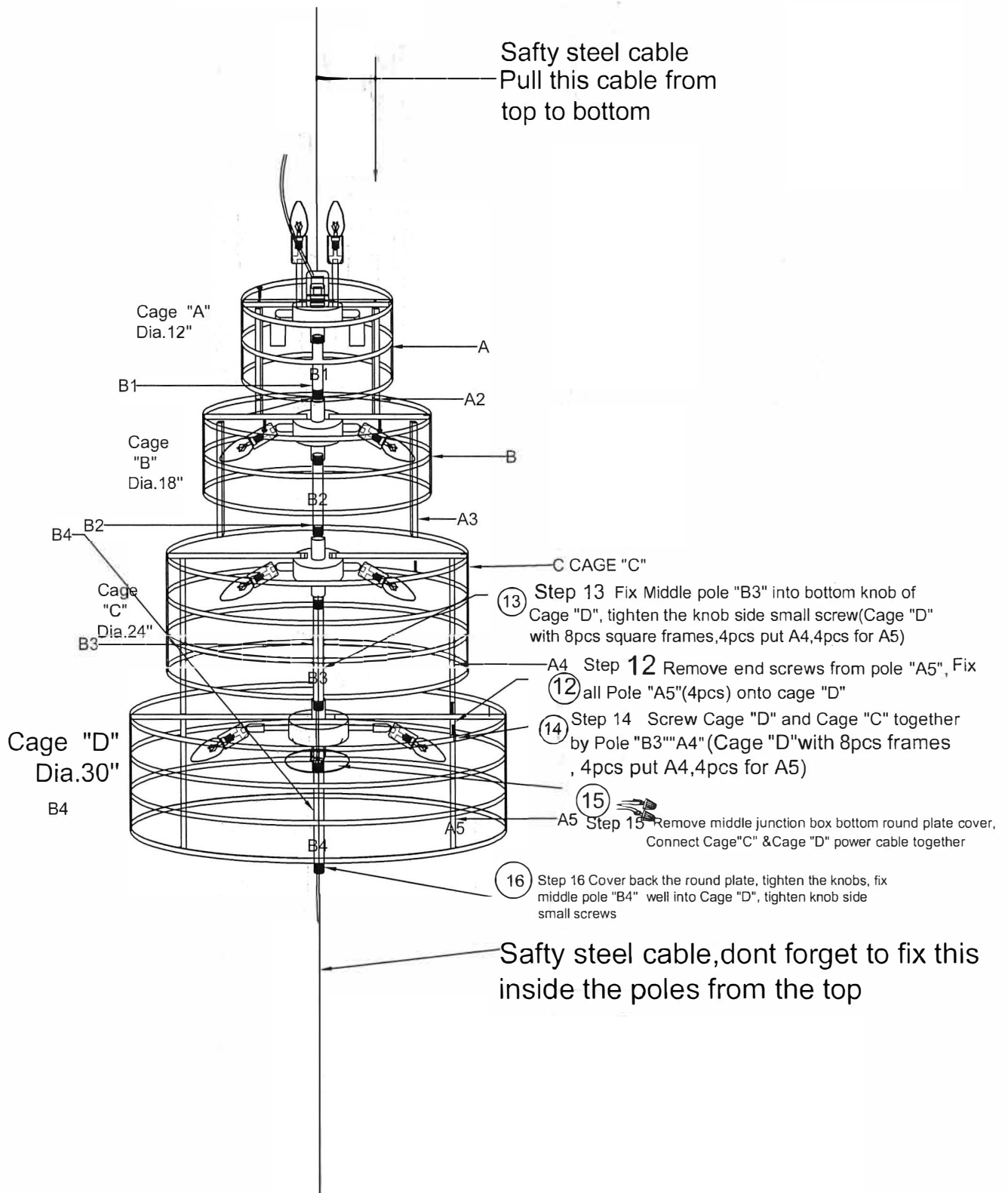
Assembling Instruction



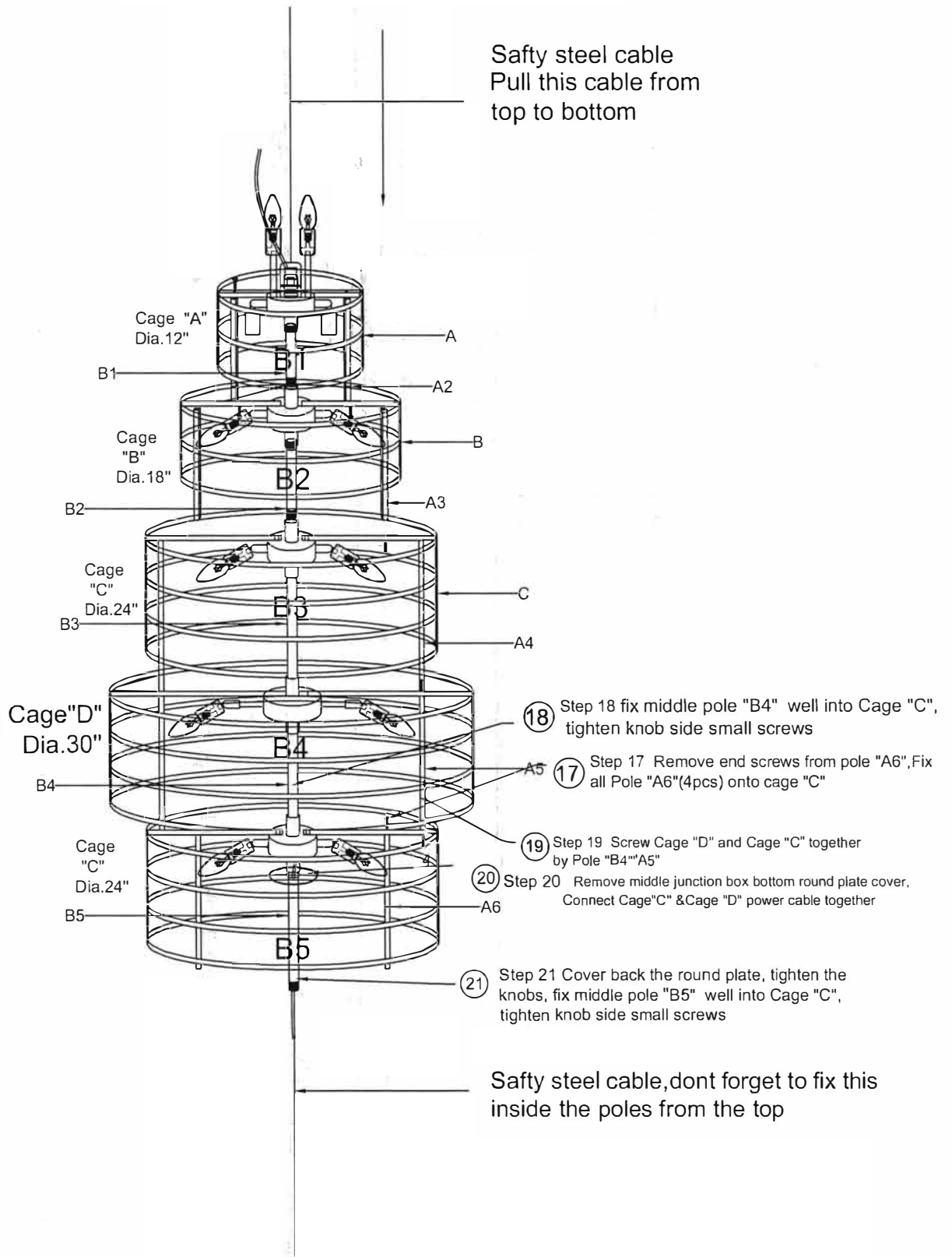
Assembling Instruction



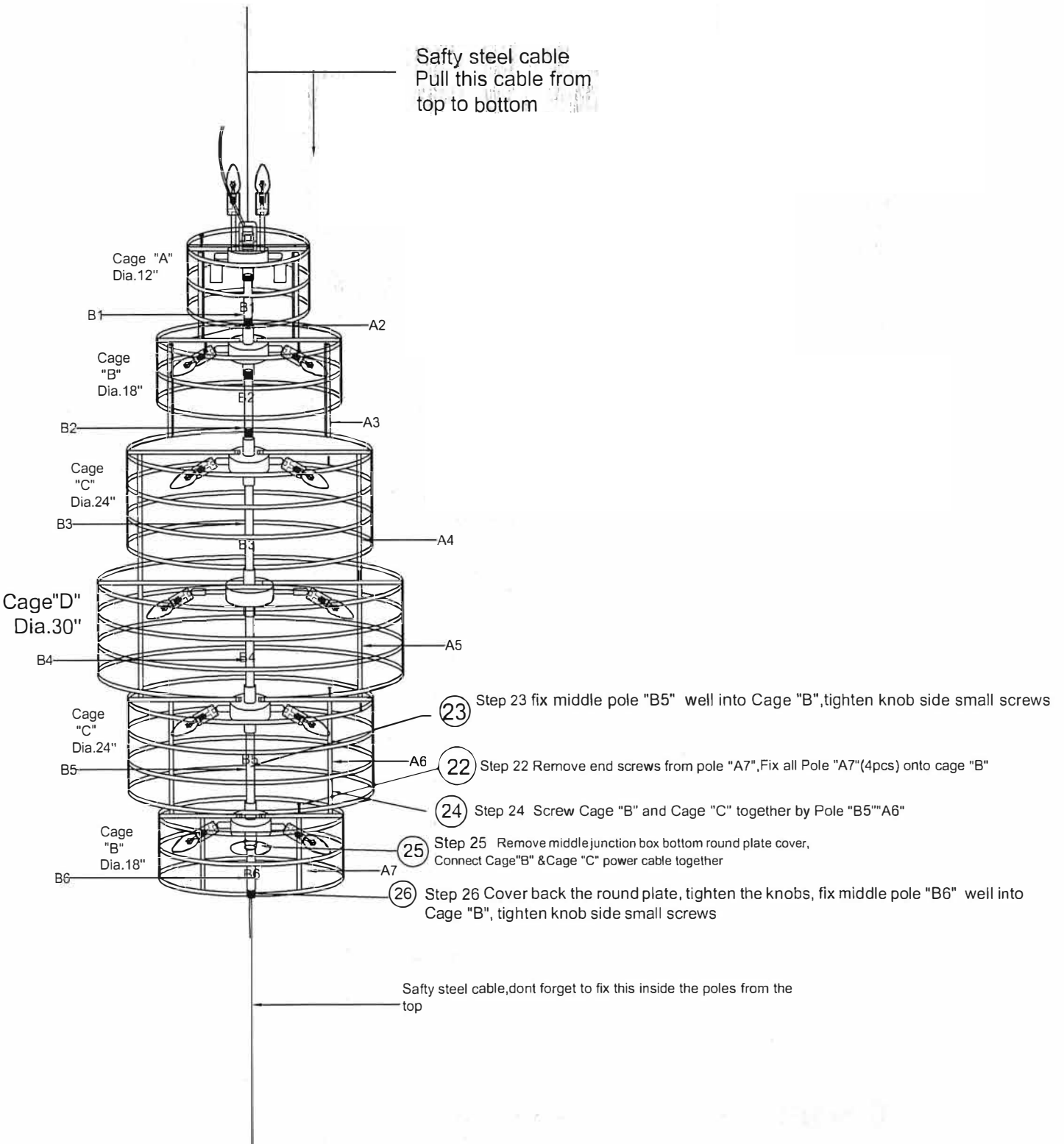
Assembling Instruction



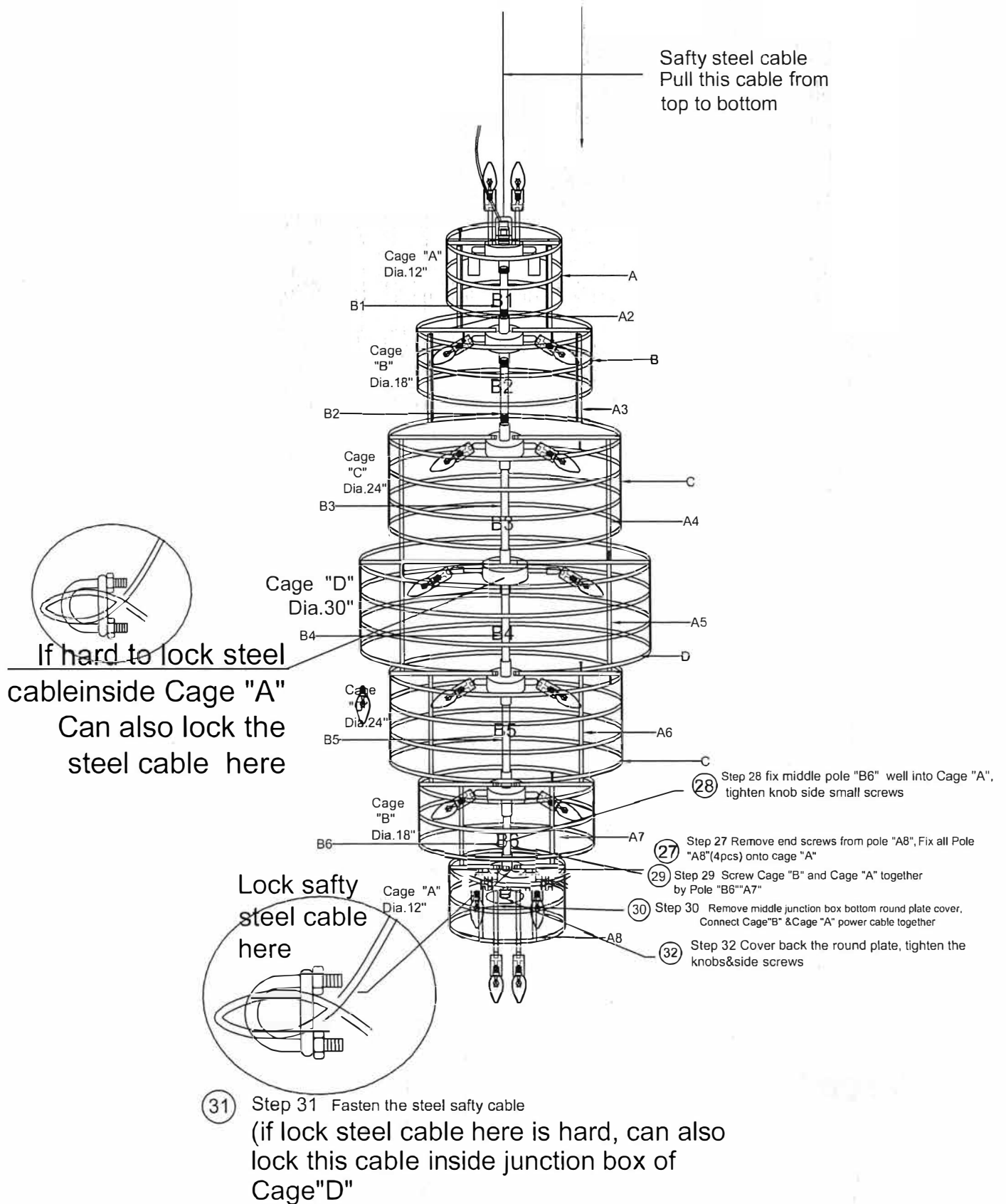
Assembling Instruction



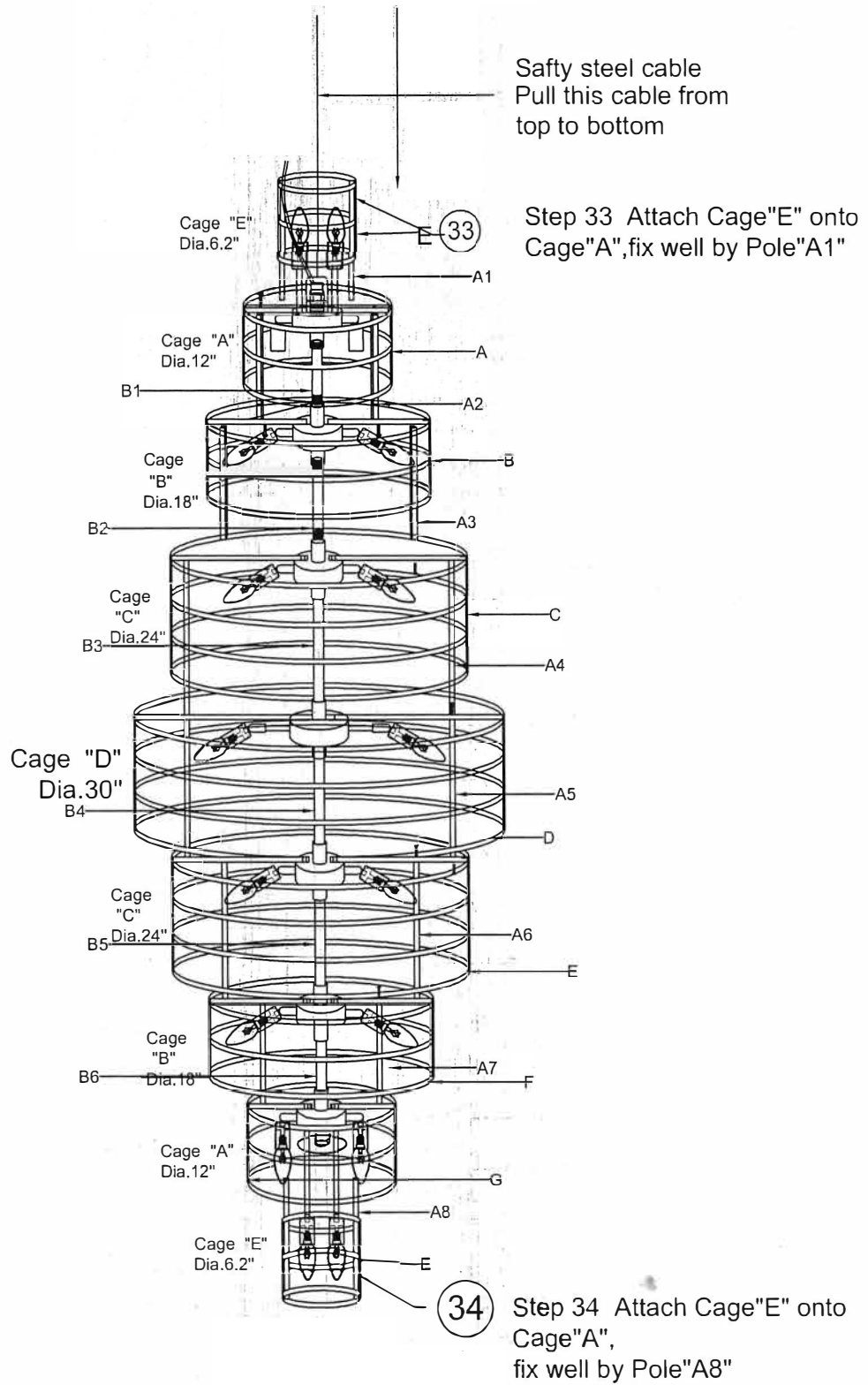
Assembling Instruction



Assembling Instruction



Assembling Instruction

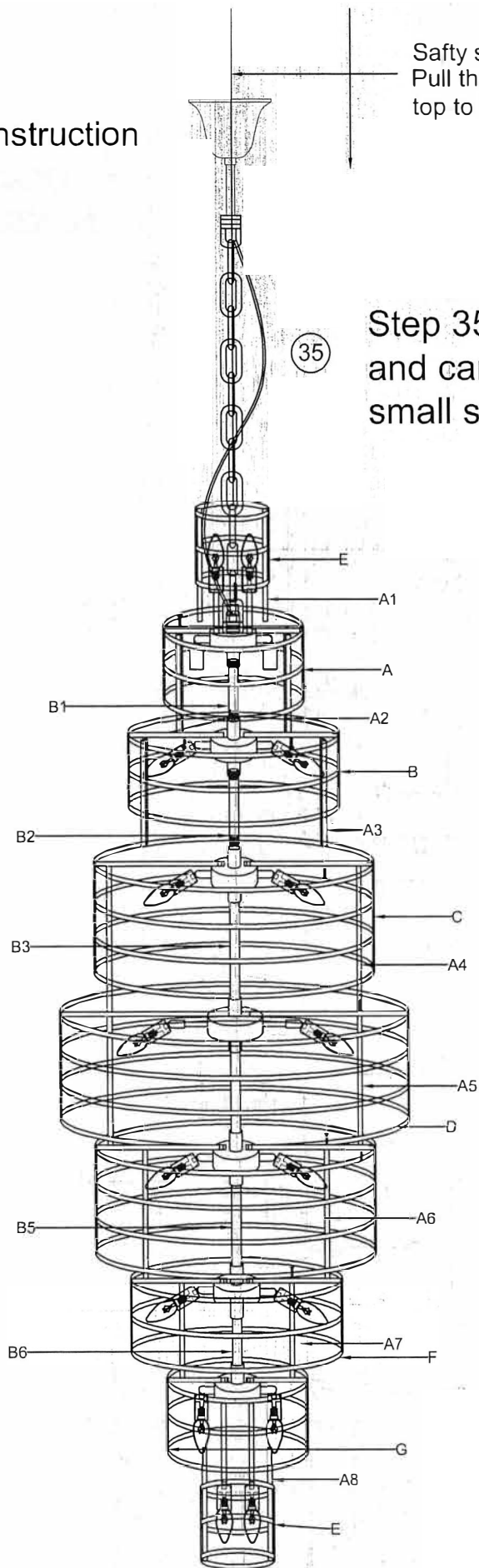


Assembling Instruction

Safety steel cable
Pull this cable from
top to bottom

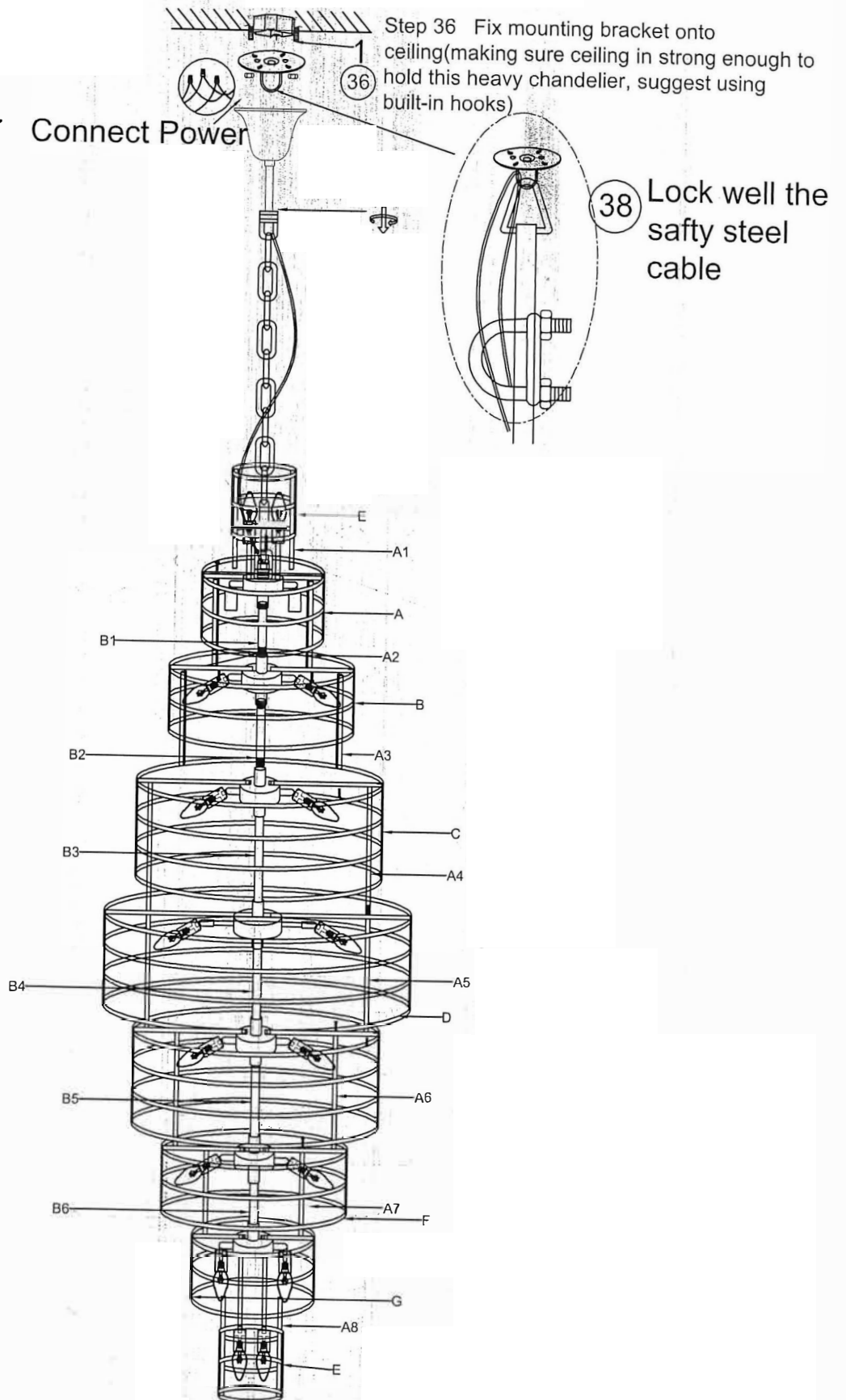
35

Step 35 Fix well the chain and canopy, fasten all the side small screws

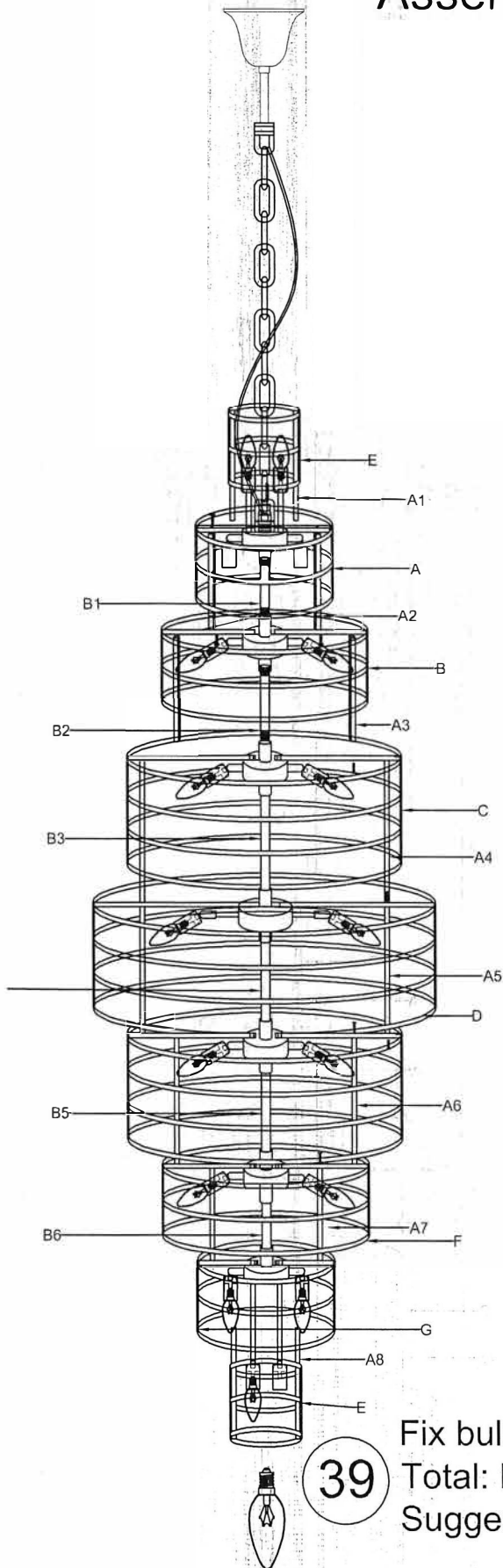


Assembling Instruction

37 Step 37
Connect Power
cable

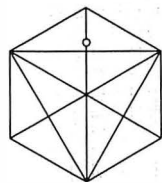
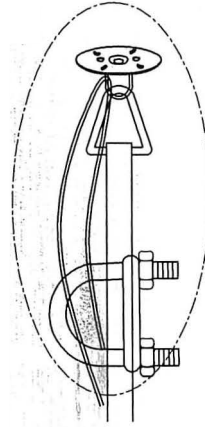
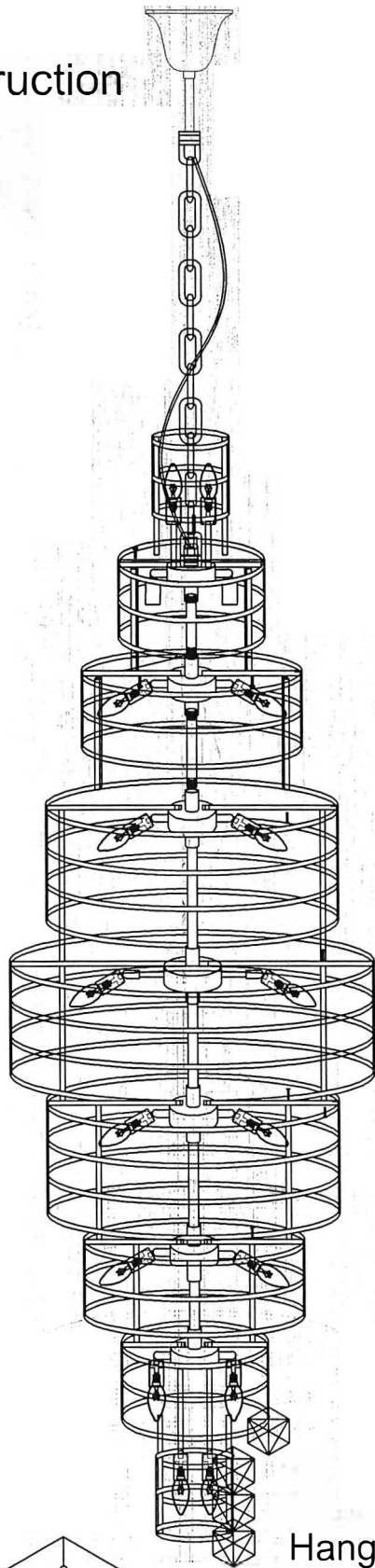


Assembling Instruction



Fix bulbs well
Total: E12*56PCS
Suggest LED bulb

Assembling Instruction



Hang crystals(well gloves)
Total QTY: 488pcs
(shipment with 496pcs, 8pcs spare crystals attached)

40