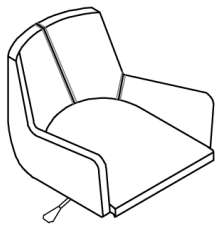


PLEASE NOTE: Check that you have received all components and hardware before assembling.

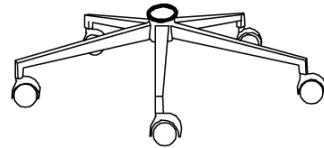
Assembly Instructions Office Chair



A (1 pc)

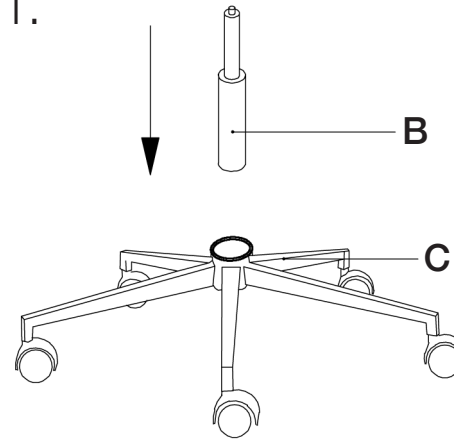


B (1 pc)

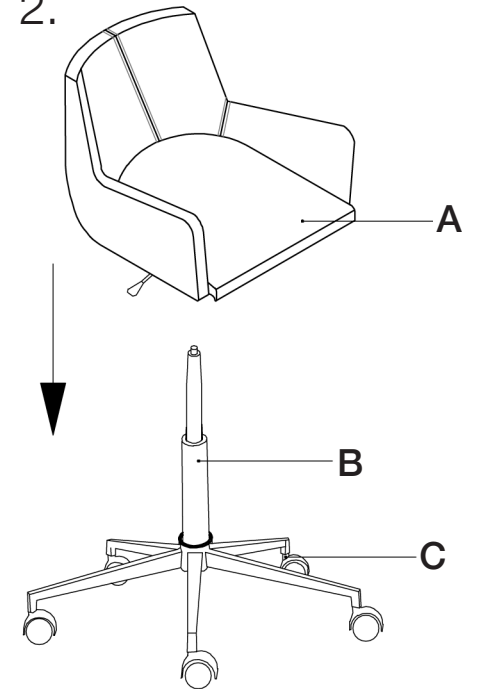


C (1 pc)

1.



2.



3.

