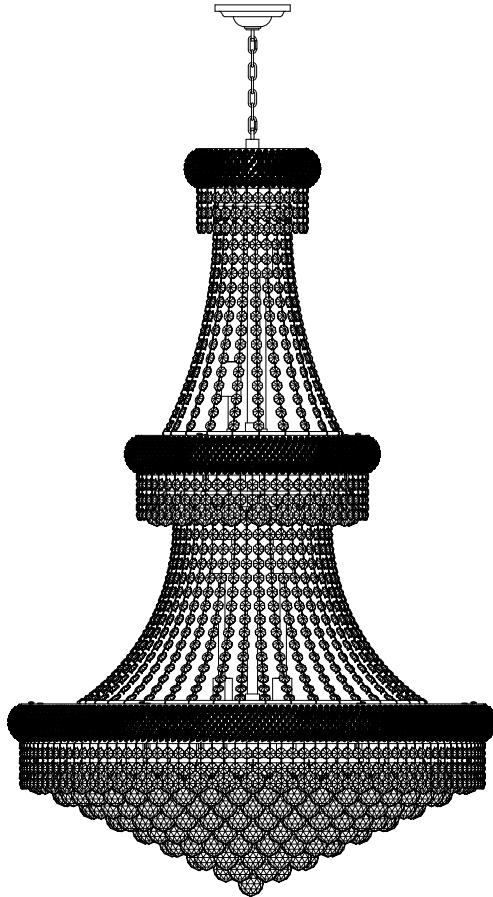


INSTALLATION MANUAL



- ◆ Require 19 pieces E12 bulbs(110V, Max 60W),not included in package, if you want it dimmable, please purchase a dimming bulbs with matched dimmer.
- ◆ For transportation safety, the product needs to be partially assembled
- ◆ please wear gloves for installation, especially when hanging crystals



SAFETY INSTRUCTIONS

These instructions are provided for your safety. It is very important that they are read completely before beginning the installation of your fixture.

1. WE RECOMMEND INSTALLATION BY A LICENSED ELECTRICIAN.
2. This fixture require 19 pieces E12 bulbs(not included in product) , bulb rated wattage Max 60W. To avoid risk of fire, do not exceed the recommended wattage.
3. If any special control devices are used with this fixture, follow the instructions carefully to assure full compliance with N.E.C. requirements. If there are any questions, contact a qualified electrical contractor.
4. please make sure shut off the main electrical supply before installation, changing bulbs or cleaning light fixture.



WARNINGS

THIS IS NOT A TOY AND THE PRODUCT HAS NO PLAY VALUE.

Keep at least 3 ft away from cribs, bassinets, and toddler beds.

Keep out of reach of children under 3.

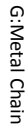
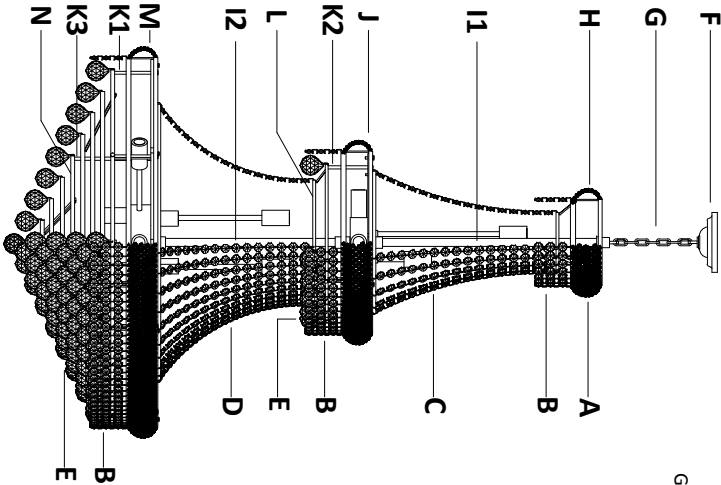


PREPARATION

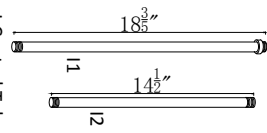
1. Before beginning installation, make sure all parts are included refer to the contents diagrams(PACKAGE CONTENTS). if any Part is missing or damaged, do not attempt to assemble, install or operate the product.
2. 19 pieces E12 bulbs(Max.60W) are required.
3. Any question or problem, please feel free to contact us.

PACKING CONTENTS

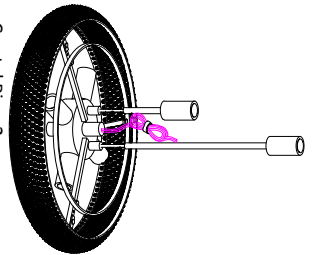
The main accessories are listed below, all fragile or easily lost parts (including during transportation and installation) have spare parts, please rest assured of installation



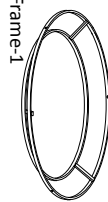
H: Circular Crystal Ring-1



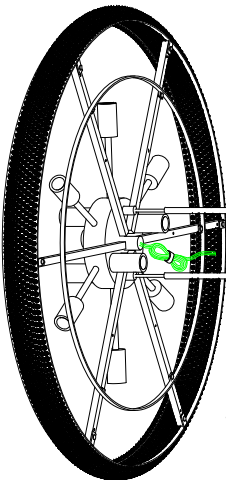
I: Central Tube



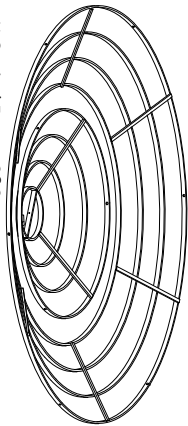
J: Circular Crystal Ring-2



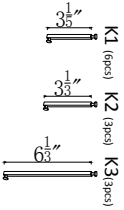
L: Conical Frame-1



M: Circular Crystal Ring-3



N: Conical Frame-2&3



3 1/2"

3 1/2"

6 1/2"



B: Crystal String



C: Crystal String

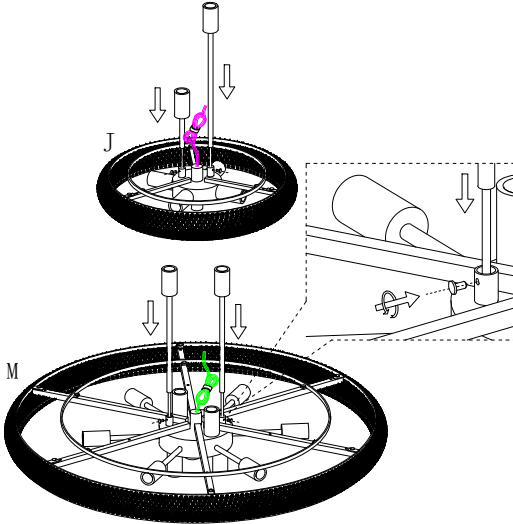


D: Crystal String



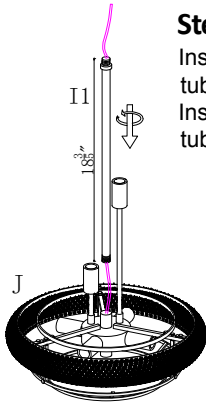
E: Crystal Ball

INSTALLATION STEPS



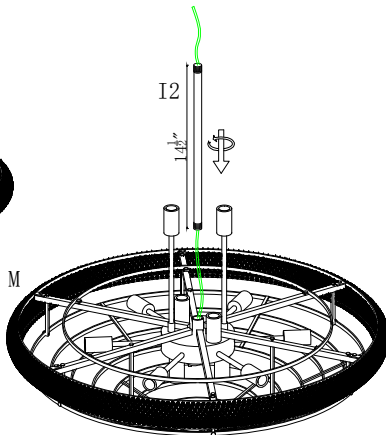
Step I

Fix the long lamp holders on 'J' and 'M' with side screws



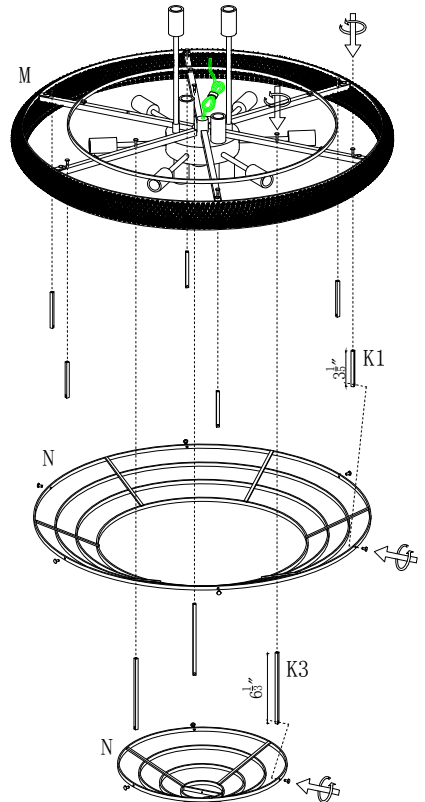
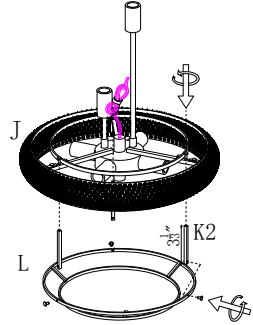
Step III

Install the longer center tube 'I1' on 'J'.
Install the shorter center tube 'I2' on 'M'



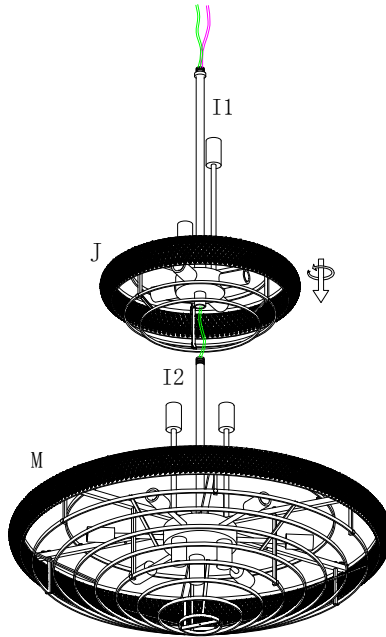
Step II

Install Conical Frame 'L' on 'J' with 'K2'.
Install Conical Frame 'N' on 'M' with 'K1&K3'.



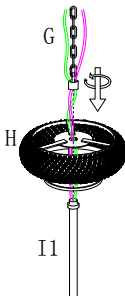
Step IV

Install 'J' on 'I2'
(before that, let the wires pass through the central tube)



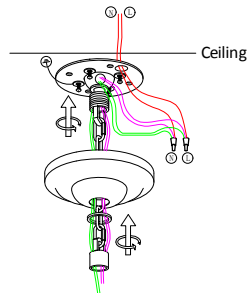
Step V

Put 'H' on 'I1', lock it with the cap nut on 'G'



Step VI

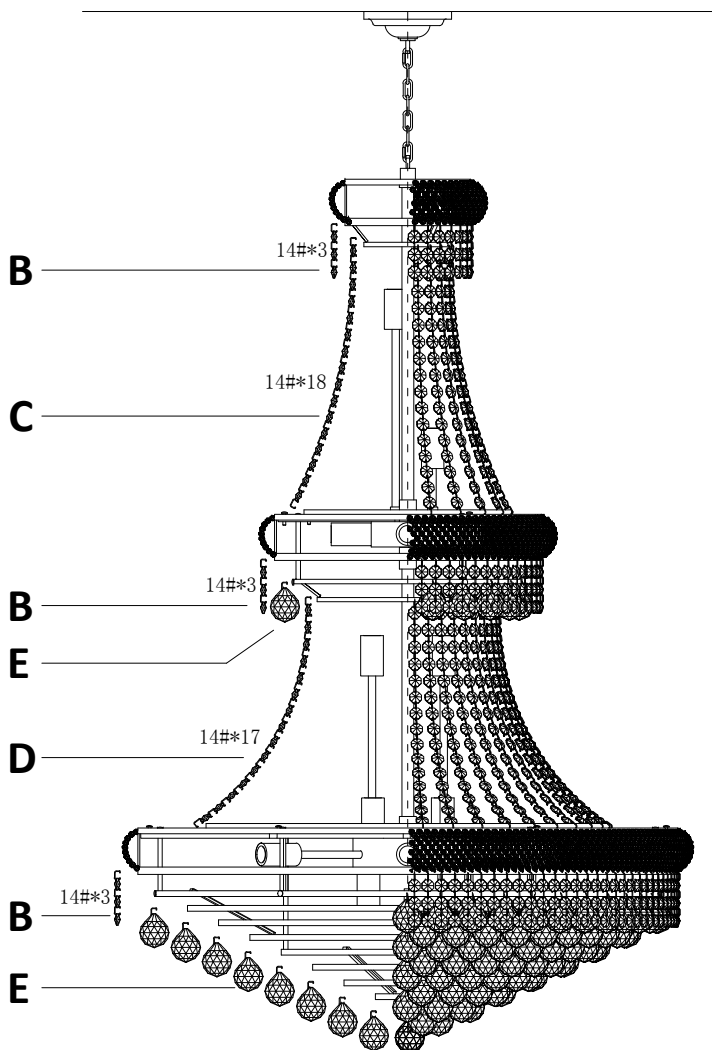
Remove the mounting bracket from 'F' and install it on the ceiling.
Connect the two lamp wires with house wires.
then hanging the lamp frame on the ceiling as shown in the figure

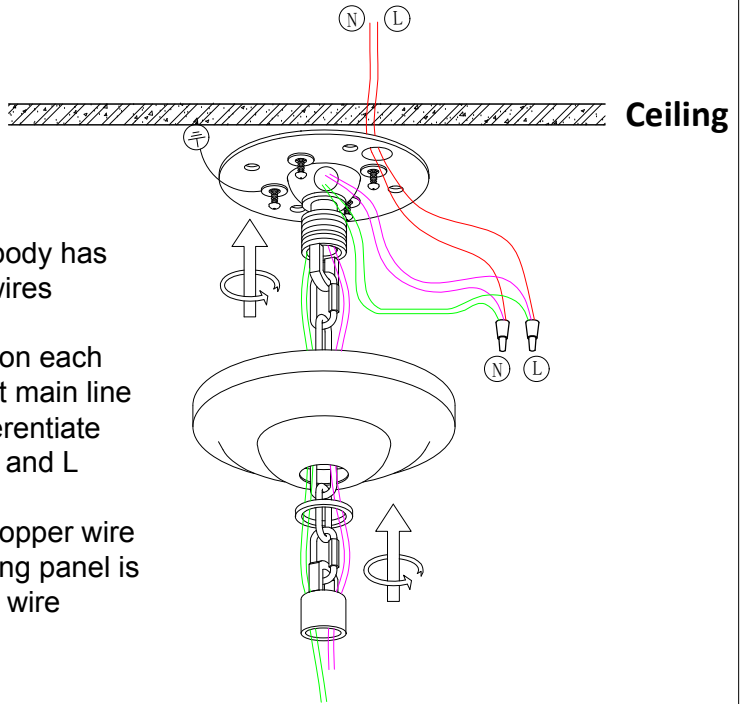


Step VII

Put on E12 bulbs prepared in advance.

Hanging crystals as shown





Notes:

1. The lamp body has two main wires
2. Two wires on each transparent main line do not differentiate between N and L
3. The bare copper wire on the ceiling panel is the ground wire

NOTES:

The diagram is only for reference installation method of ceiling plate, please install according to the actual ceiling situation.

If you don't need such a long chain, please cut it appropriately short before hanging it. If you want to increase the length of the hanging chain and wires, please purchase eligible wires and hanging chains that meet the standards and replace and install it by professional electricians.

WARNING: Never connect ground wire to black or white power supply wires.

please make sure shut off the main electrical supply before installation.

Please do not connect two wires on the same transparent wire together.

WARRANTY & SERVICES

1 year warranty services are provided for this light fixtures.

We provide 24-hour customer service, and any questions you have will be answered within 24 hours. If you have any questions or problems during the warranty period, please feel free to contact us via email, your order ID and details are preferred so that our customer service will help you more quickly and accurately!

Note: please use this light fixture accordingly to its intended purpose, do not retrofit or remodeling this light fixture. The warranty does not cover if the failure is caused by the third party product, or natural disasters.