

Thank you for choosing this product.

Your complete satisfaction is our top priority.

Customer Service and Warranty Information

- **For Warranty Assistance:**

If you experience any issues or require additional information regarding your warranty, please do not contact the place of purchase. Instead, reach out directly to our Customer Service Team or visit our website for prompt support.

- **Warranty Coverage:**

We warrant its products to the original purchaser against defects in materials or workmanship. A defect is defined as any flaw that impairs the normal use of the product. This warranty is limited to the replacement of defective parts or components and is valid for one (1) year from the date of purchase.

- **Warranty Limitations:**

This warranty covers products used under normal household conditions. It does not apply to furniture used outdoors or damage resulting from improper assembly or disassembly, product modification, intentional damage, accidents, misuse, exposure to elements, or any labor or assembly costs.

- **Additional Terms:**

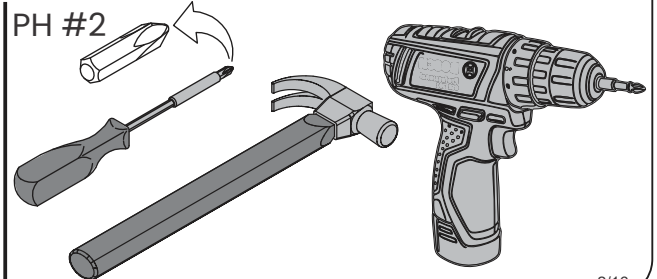
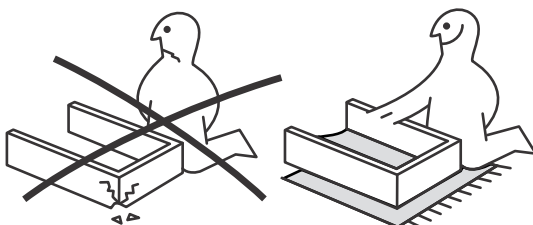
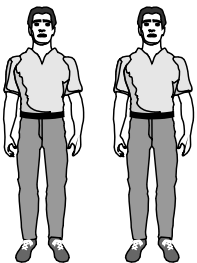
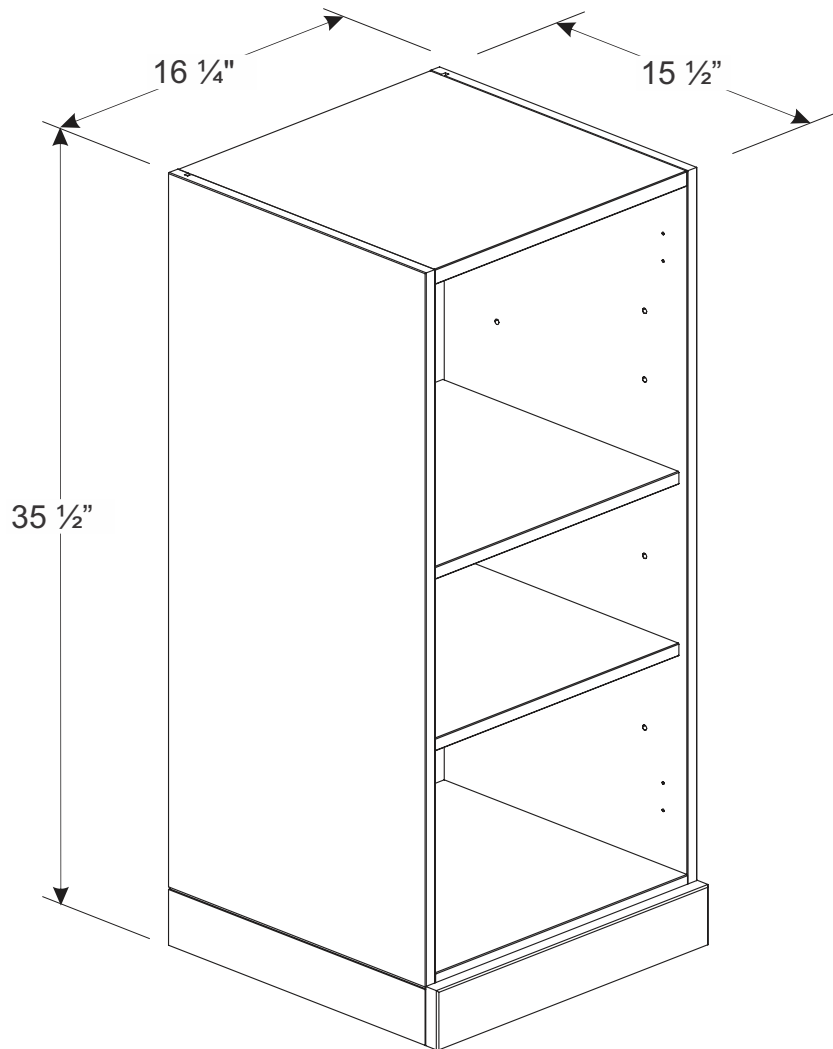
We reserve the right to require proof of purchase to process any warranty claim. We are not liable for any incidental or consequential damages arising from the misuse of our products.

ASSEMBLY GUIDE

16.5" Unit

White
Mocha
Gray
Black
Teal
Yellow

Aqua
Green
Sage
Beige
Navy Blue
Antique Blue



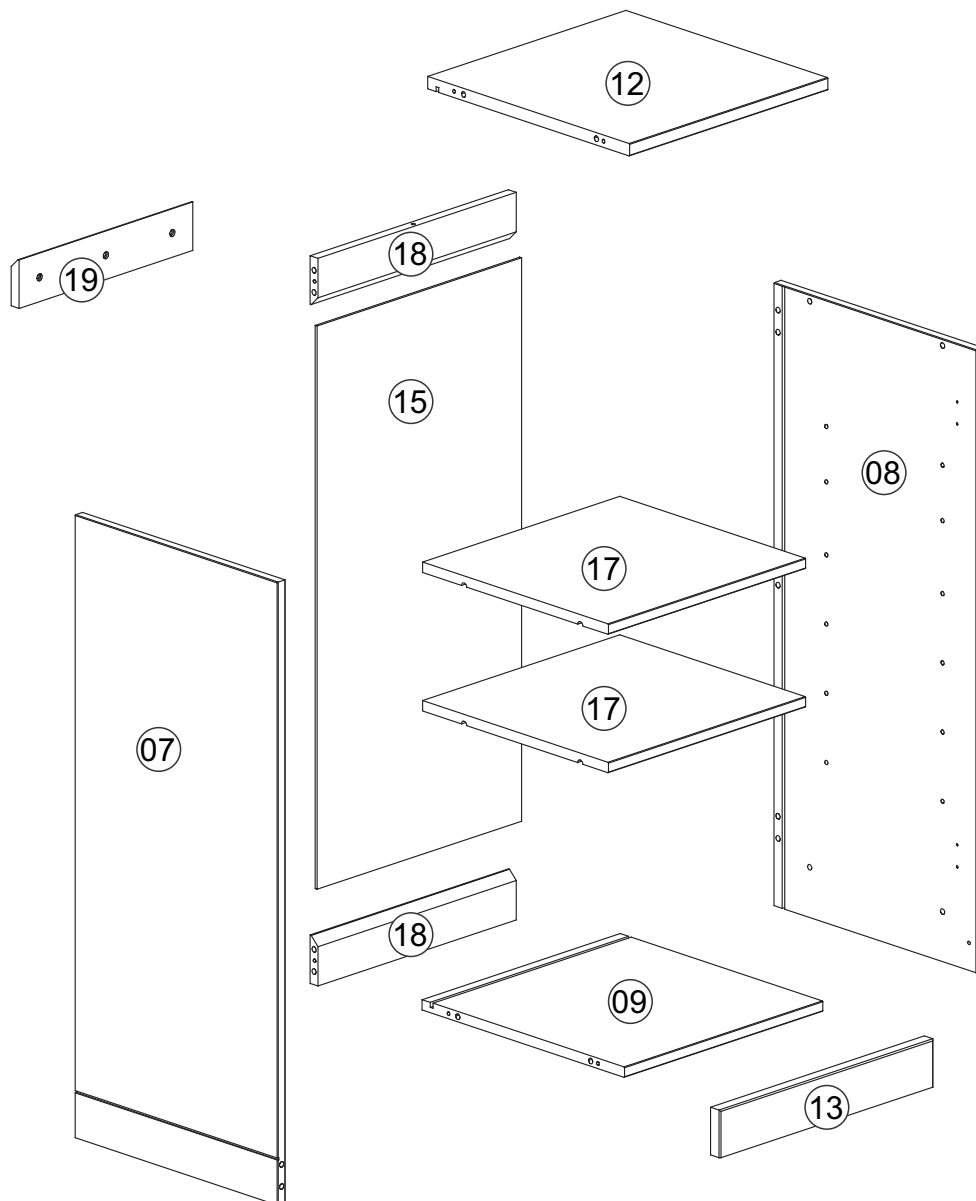
Before You Begin Assembly

- Carefully inspect the package contents. A complete parts checklist is provided below.
- If any parts are missing or damaged, please contact us for assistance.

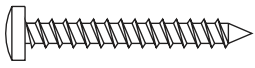
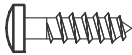

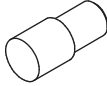
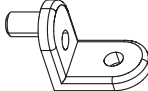
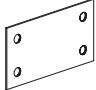
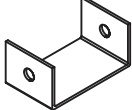
Assembly Tips

- Assemble the item on a flat, smooth surface. We recommend placing a blanket or protective covering underneath to prevent scratches.
- Use a power drill **only at a low-speed setting** to avoid damaging components.
- Assemble the product as close as possible to its final location to minimize the need for moving it later.
- Important: The hardware pack contains small parts that may pose a choking hazard.
Keep all small items out of reach of young children.

PARTS LAYOUT



Screws Are Illustrated at Actual Size for Accurate Reference

A1	 4,0x30	14+1
A44	 3,5x14	14+1
C2	 8,0x25	20+1
D4	 Ø6x8	08+1
D57	 18x17x2,5	03
D58	 66x35x1,2	01
D59	 32x14x19	02



**WARNING:
CHOKING HAZARD**

Contains small parts - choking hazard.
Adult supervision is required during assembly.
Not suitable for children under 3 years of age.


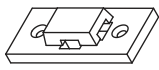



WARNING:

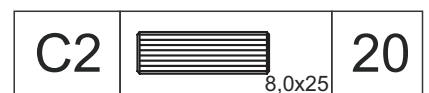
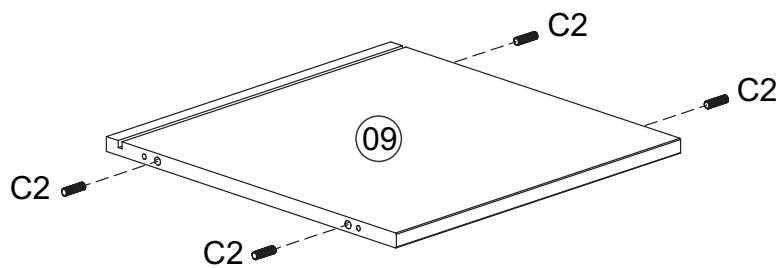
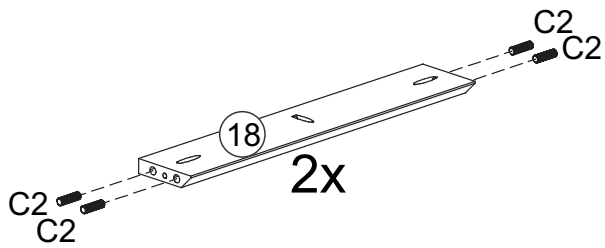
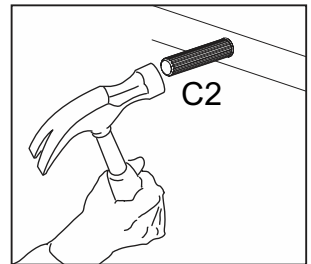
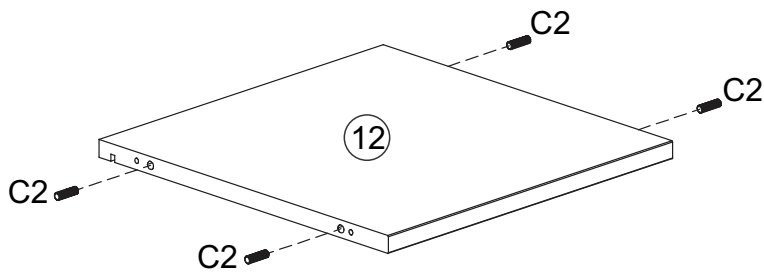
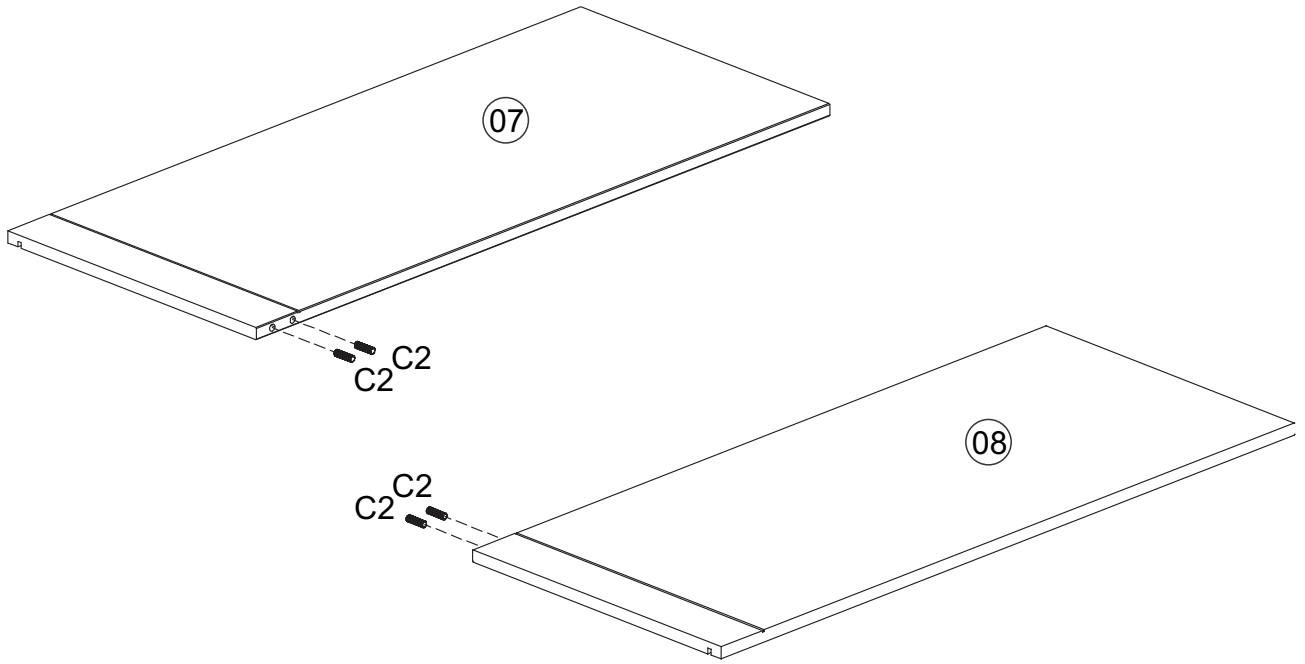
Important Safety Notice:

This furniture includes tip-over prevention hardware, which **MUST** be securely attached to the wall as outlined in the assembly instructions. Failure to do so may result in serious injury or death.

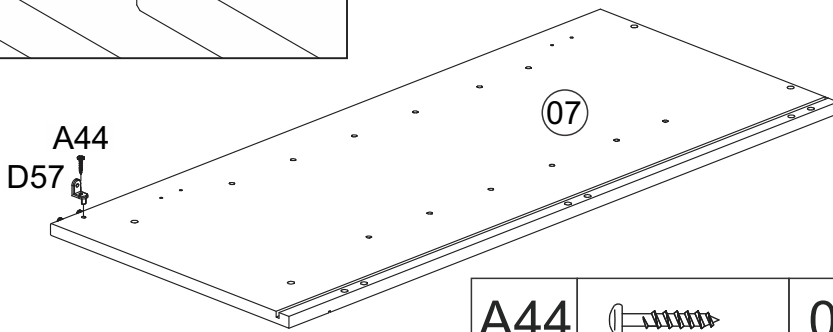
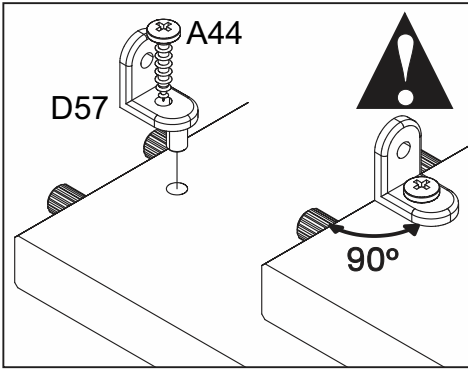
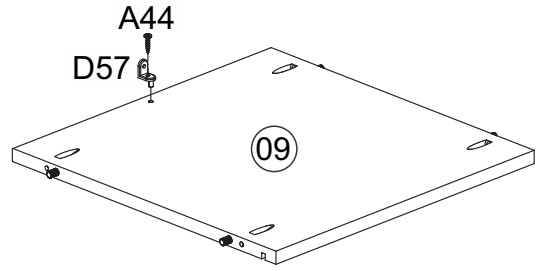
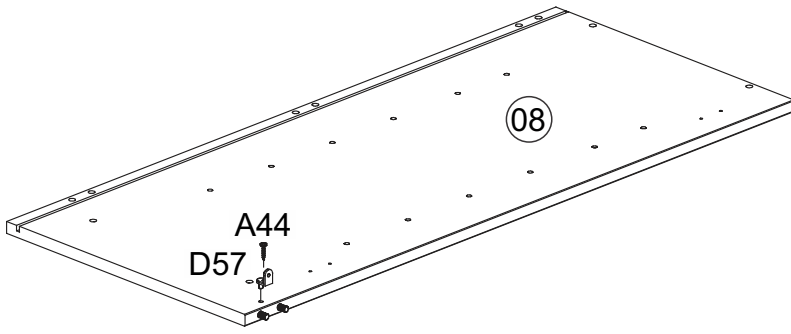
TIPOVER RESTRAINT KIT

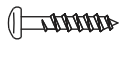
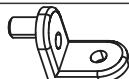
A47	 3,0x20	02+1
F8	 47x20x9	02
F15	 300mm	01

01)

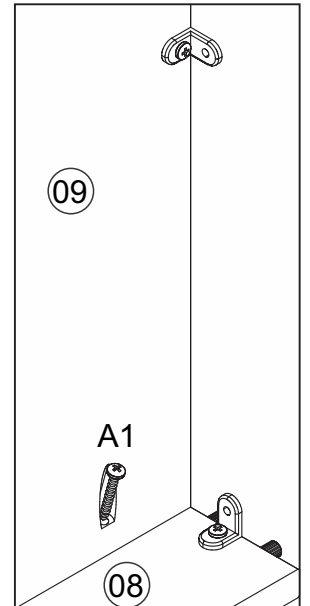
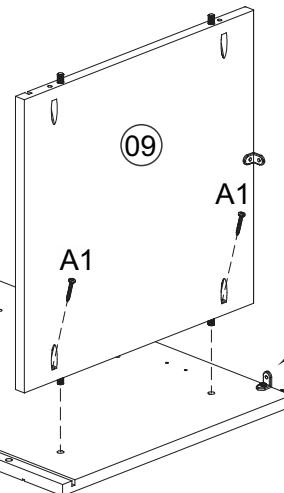
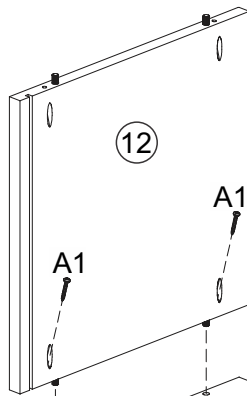
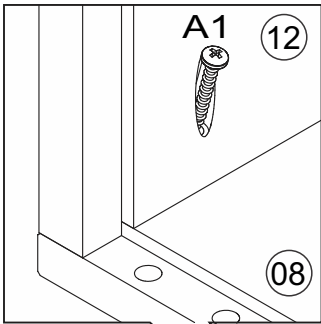



02)



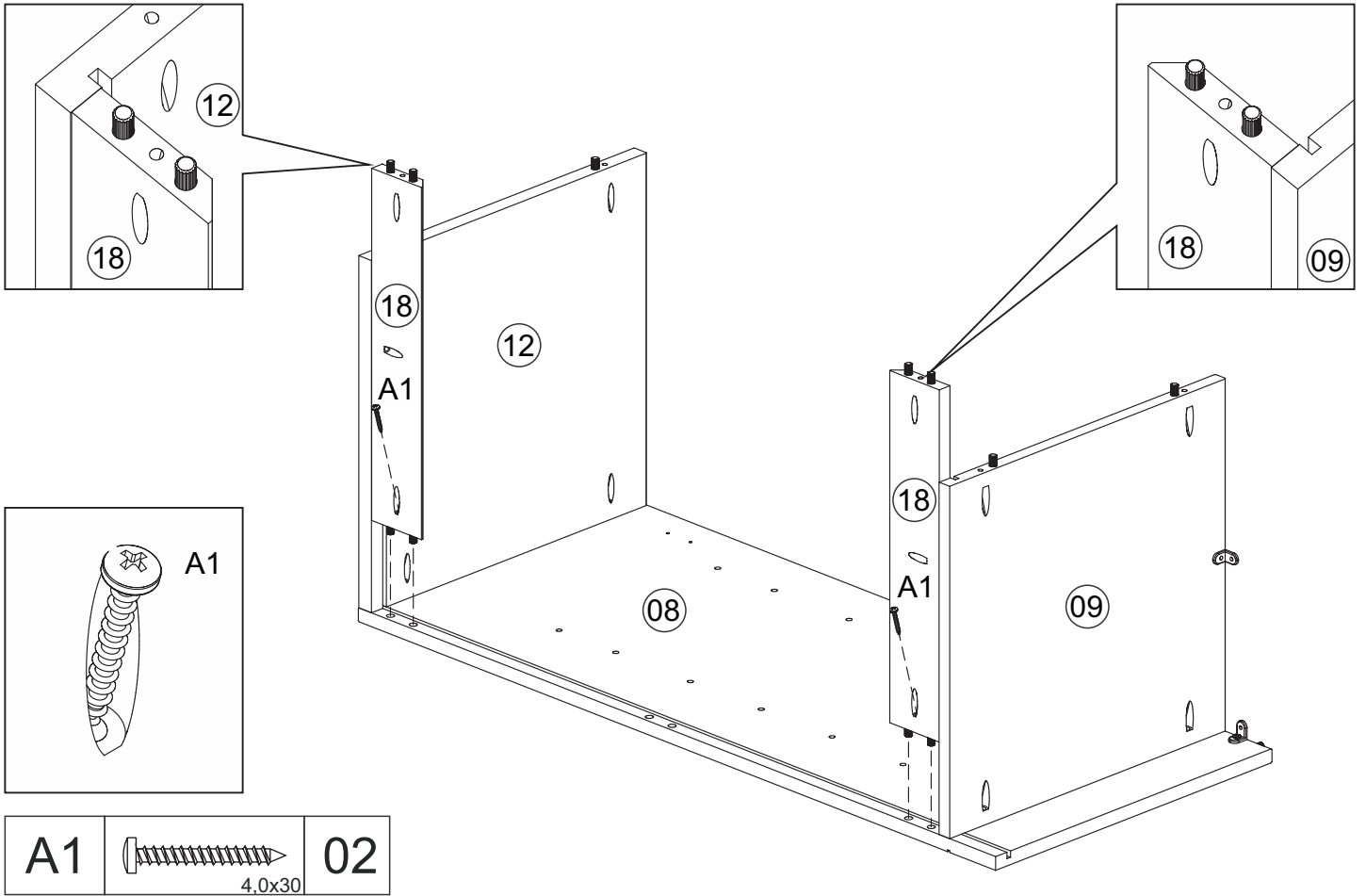
A44	 3.5x14	03	D57		03
-----	-----------------------------------------------------------------------------------------------	----	-----	---------------------------------------------------------------------------------------	----

03)

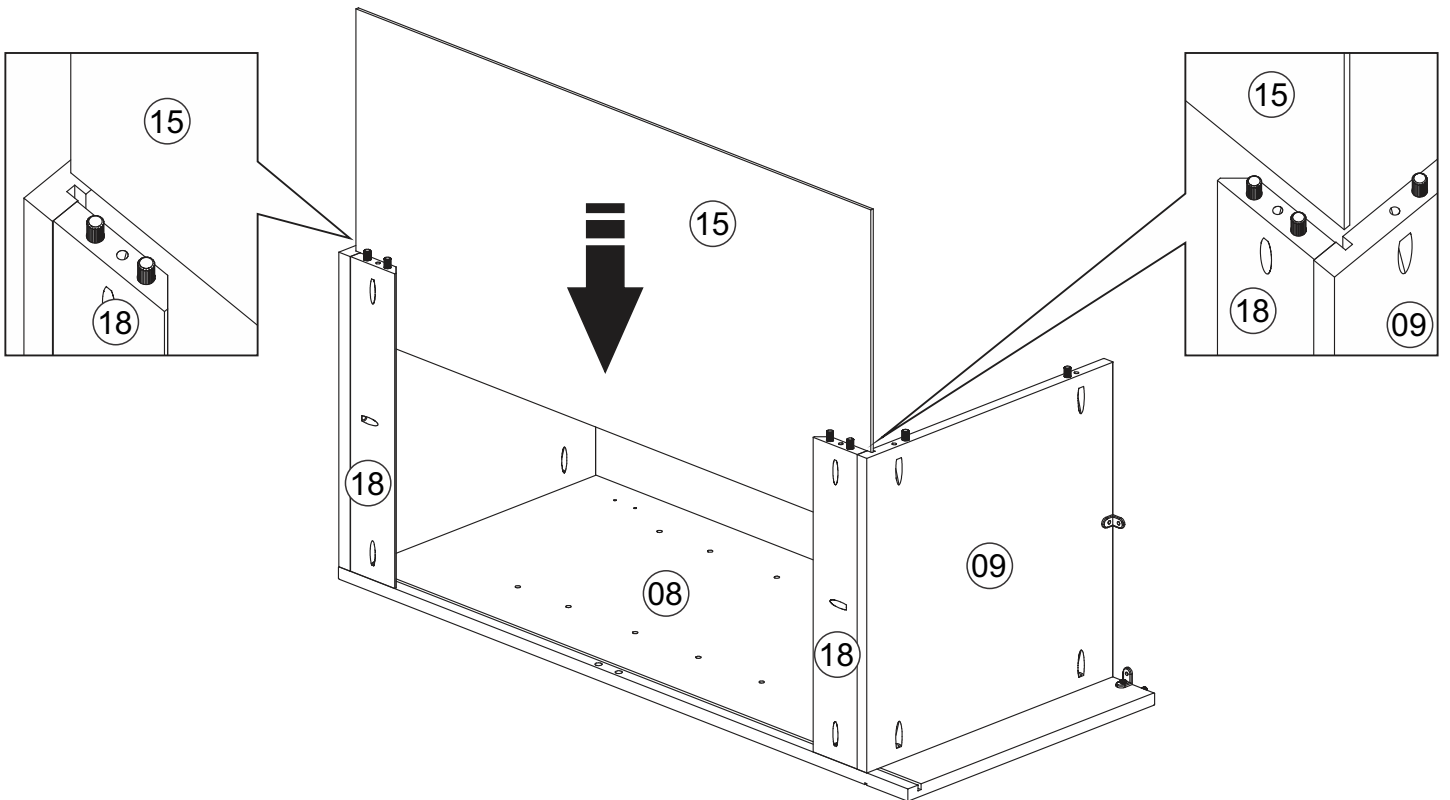


A1	 4.0x30	04
----	-----------------------------------------------------------------------------------------------	----

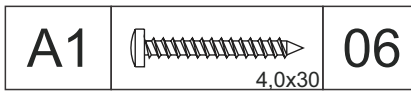
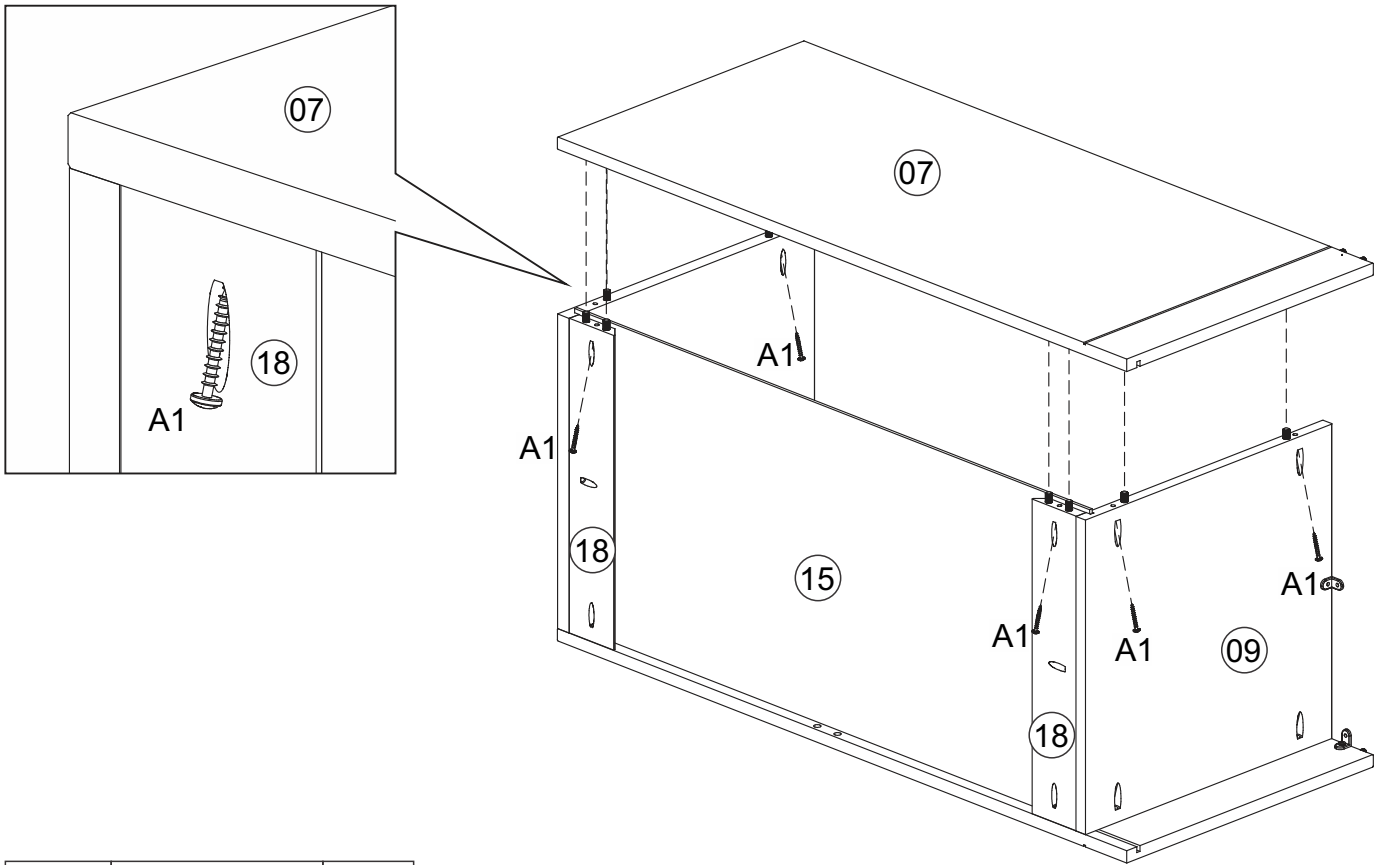
04)



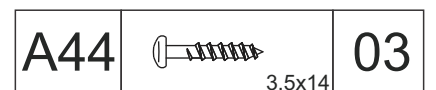
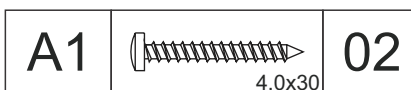
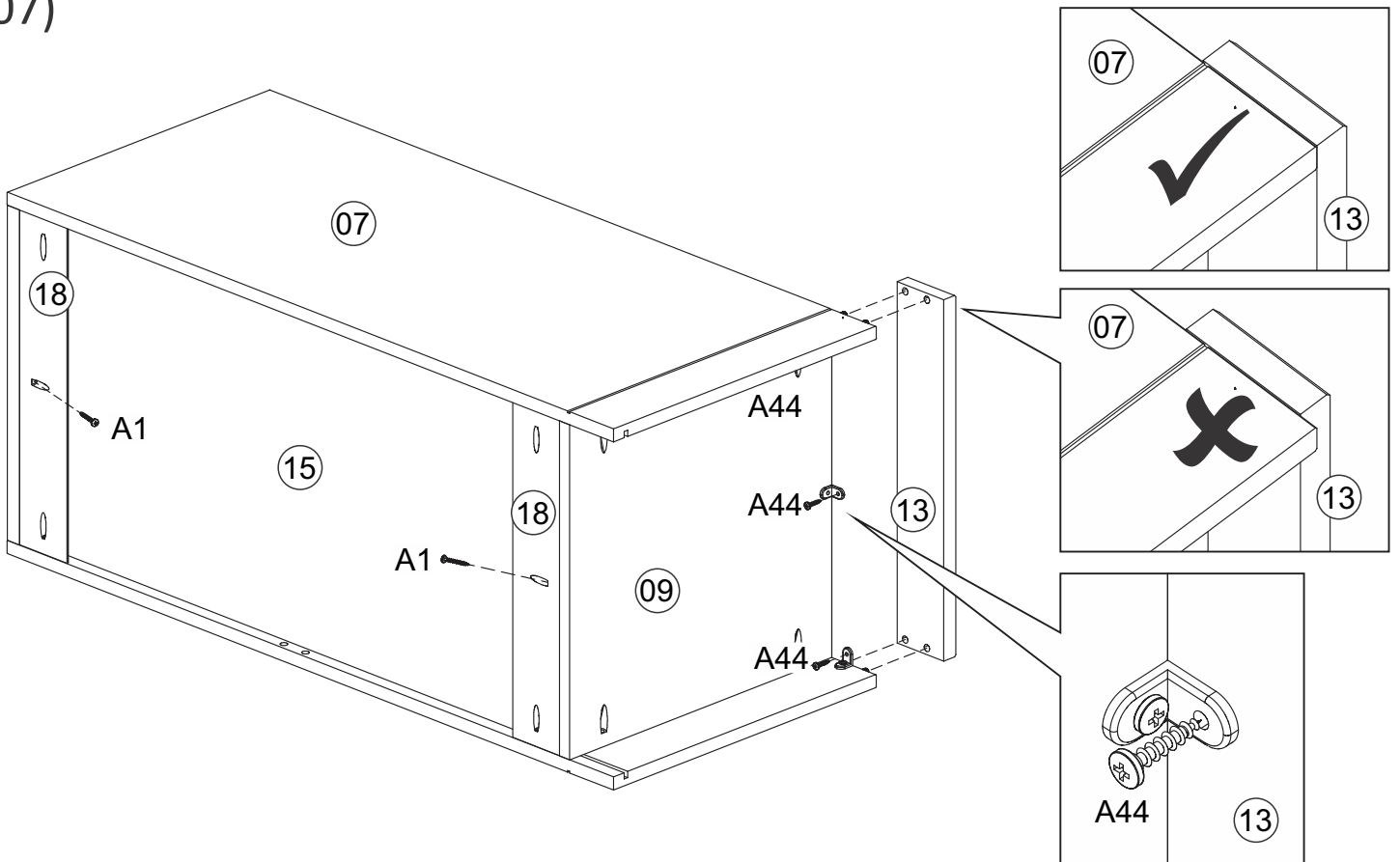
05)



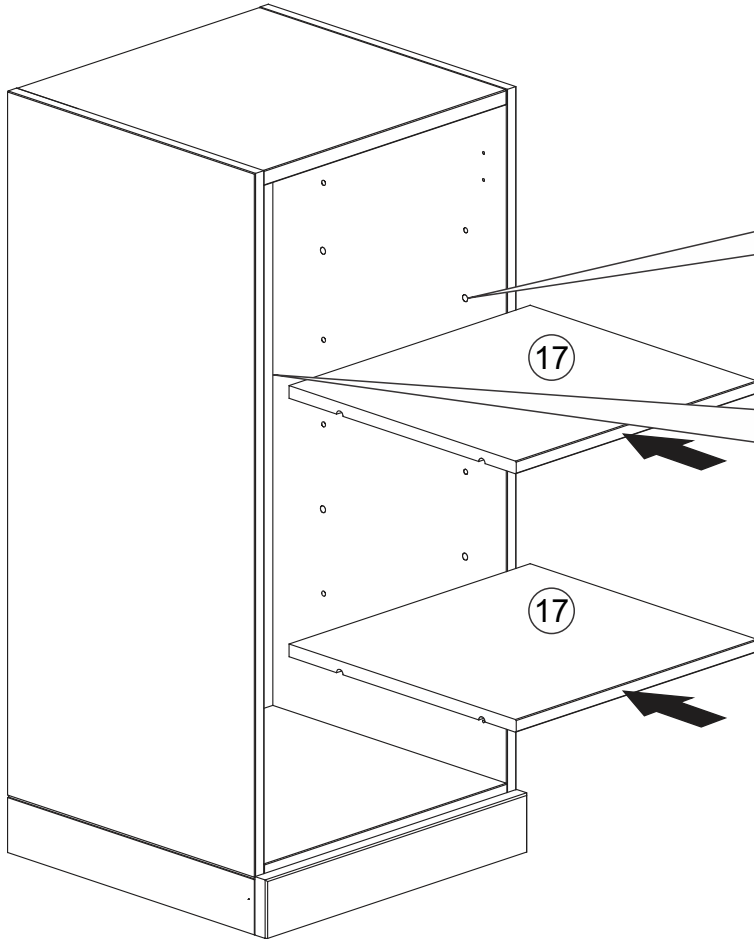
06)



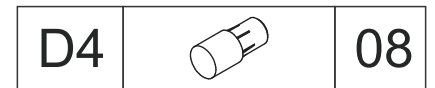
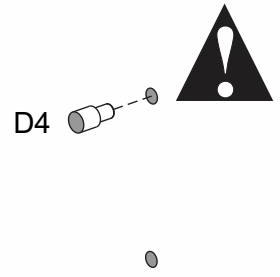
07)



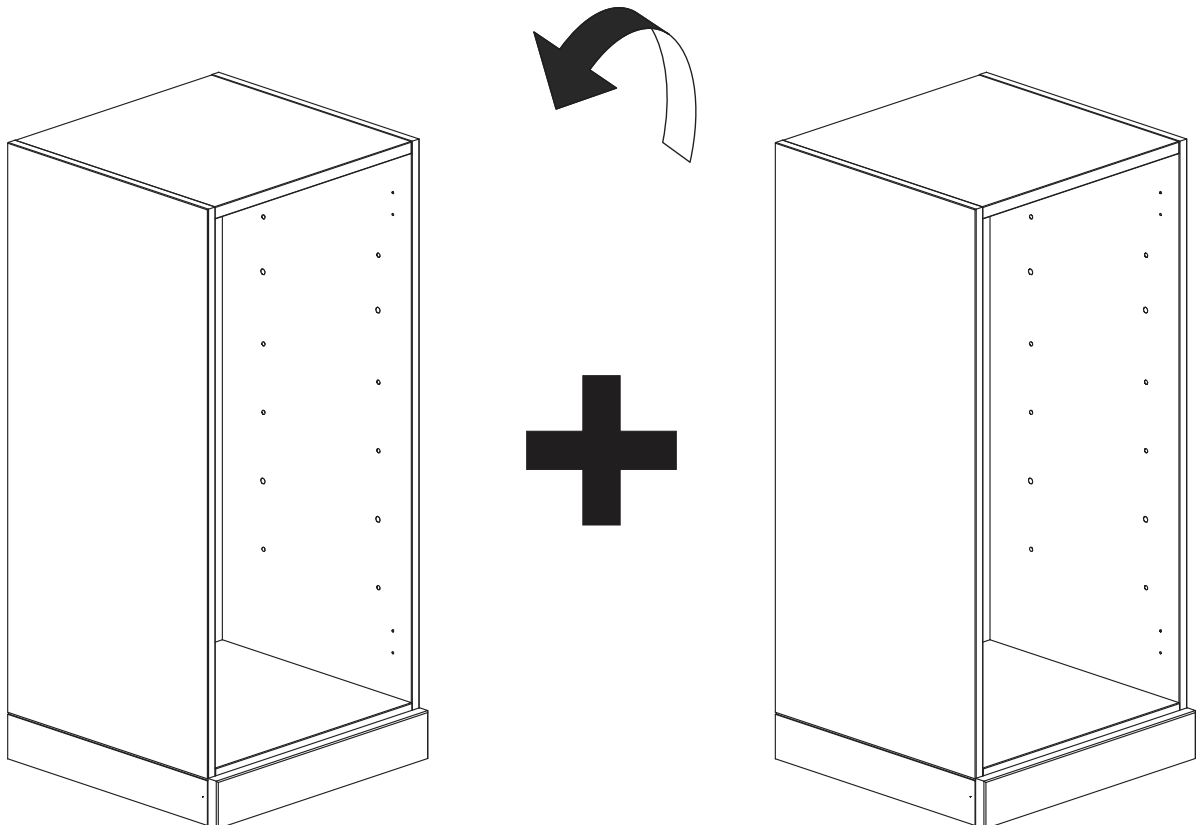
08)



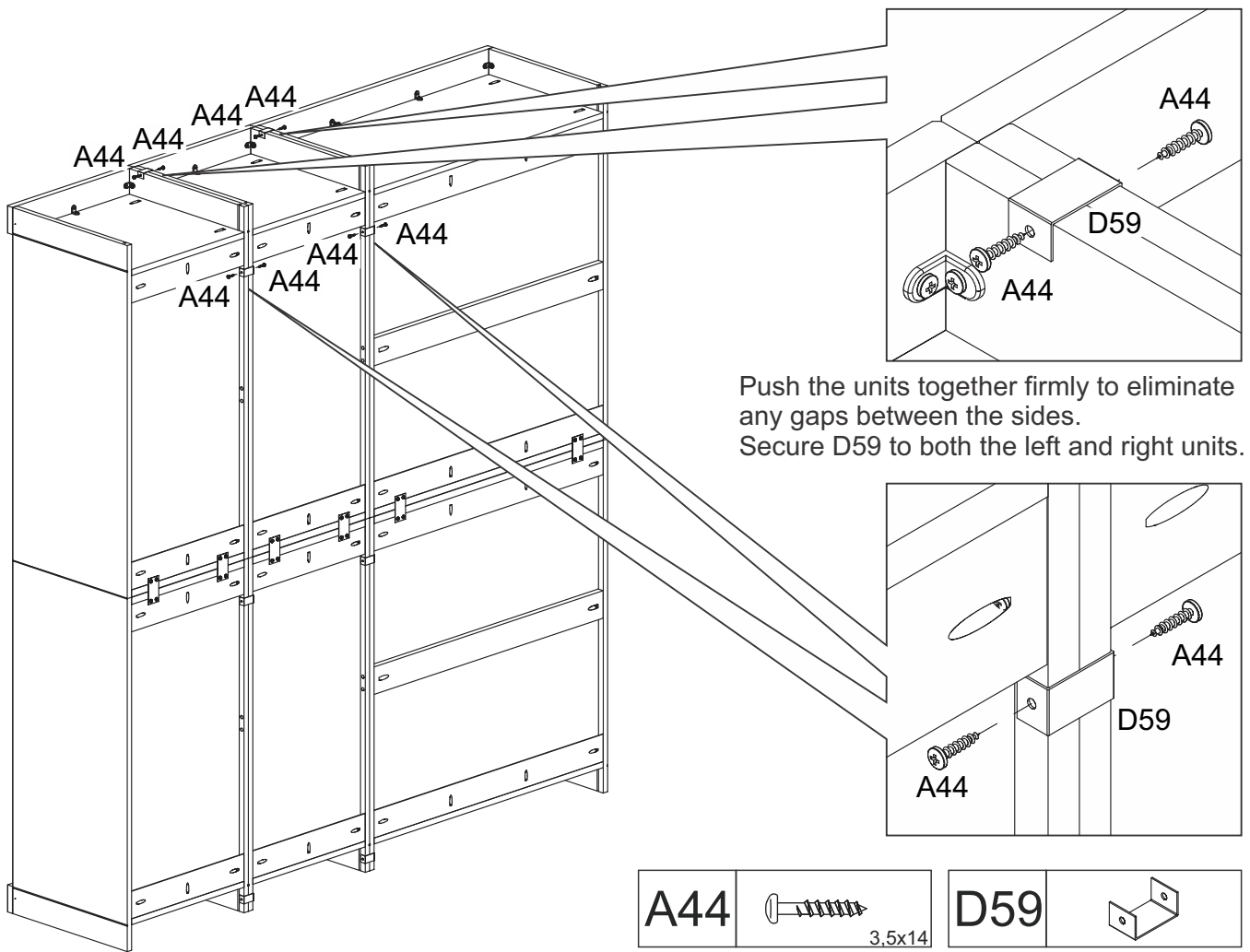
Select the desired shelf height and insert the metal pegs into the corresponding holes. ●



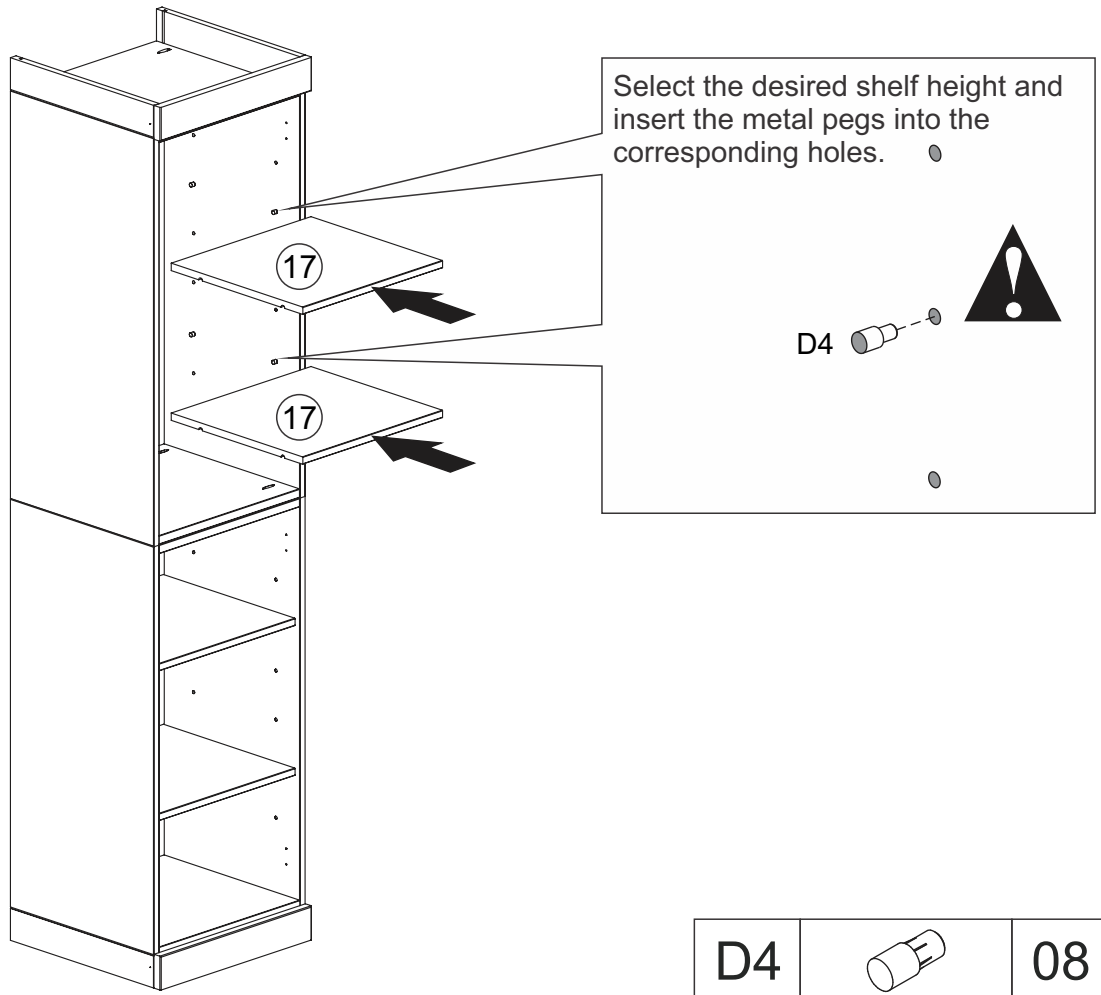
09) Stacking and Connecting Multiple Units



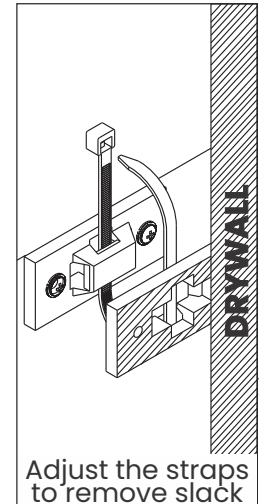
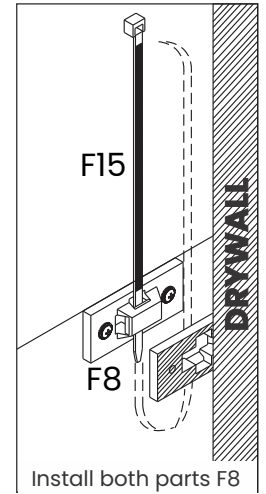
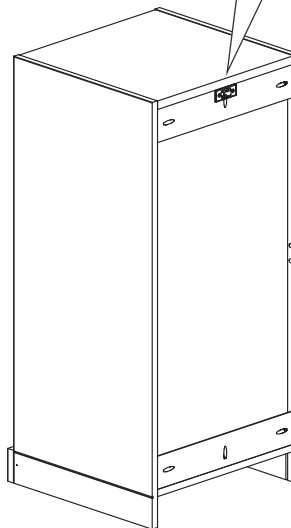
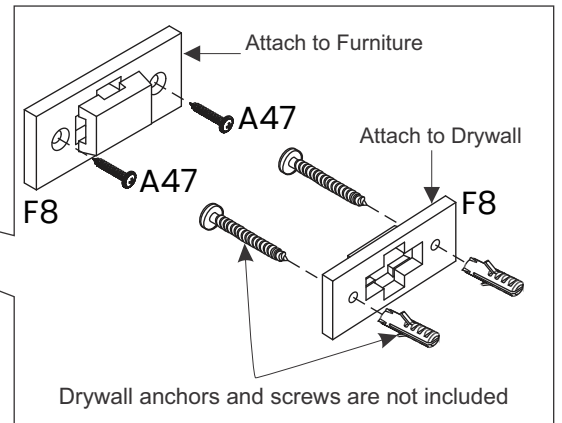
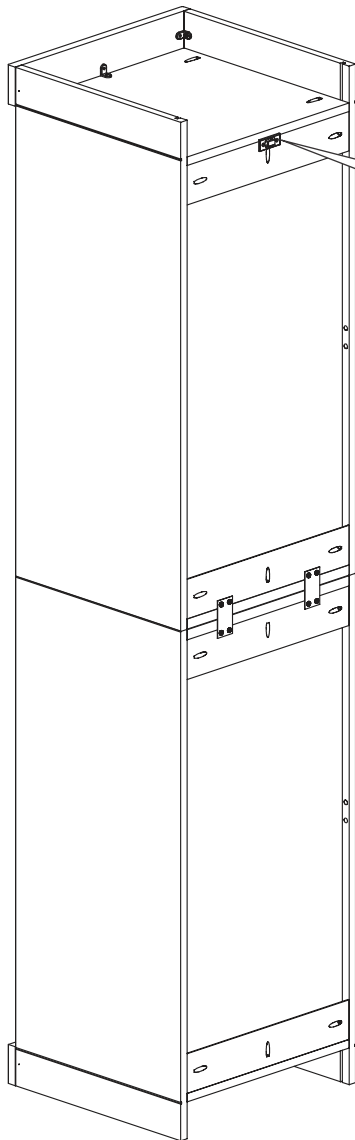
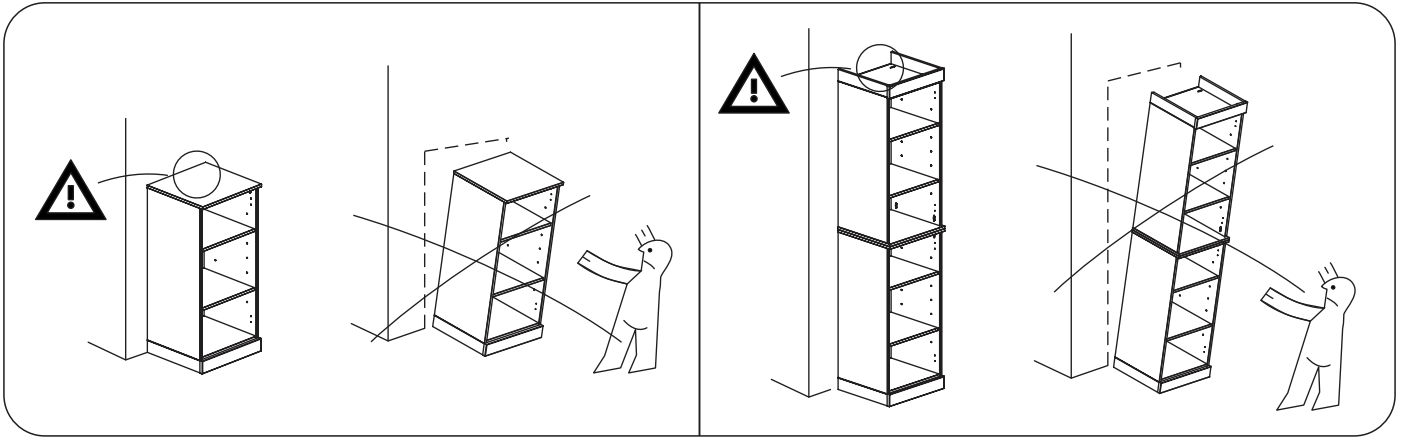
12)


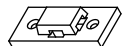



13)

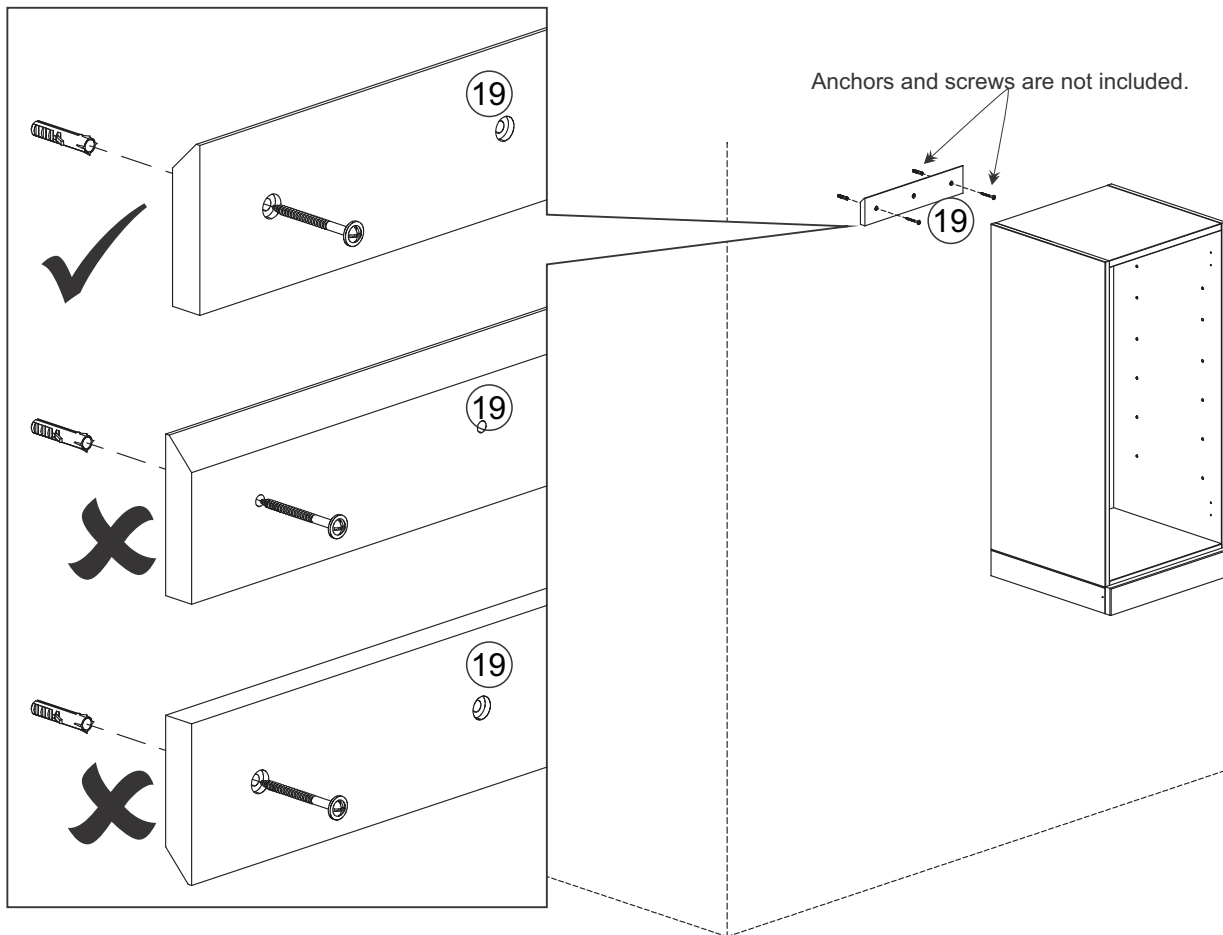


14) Tip-over Restraint Kit Installation

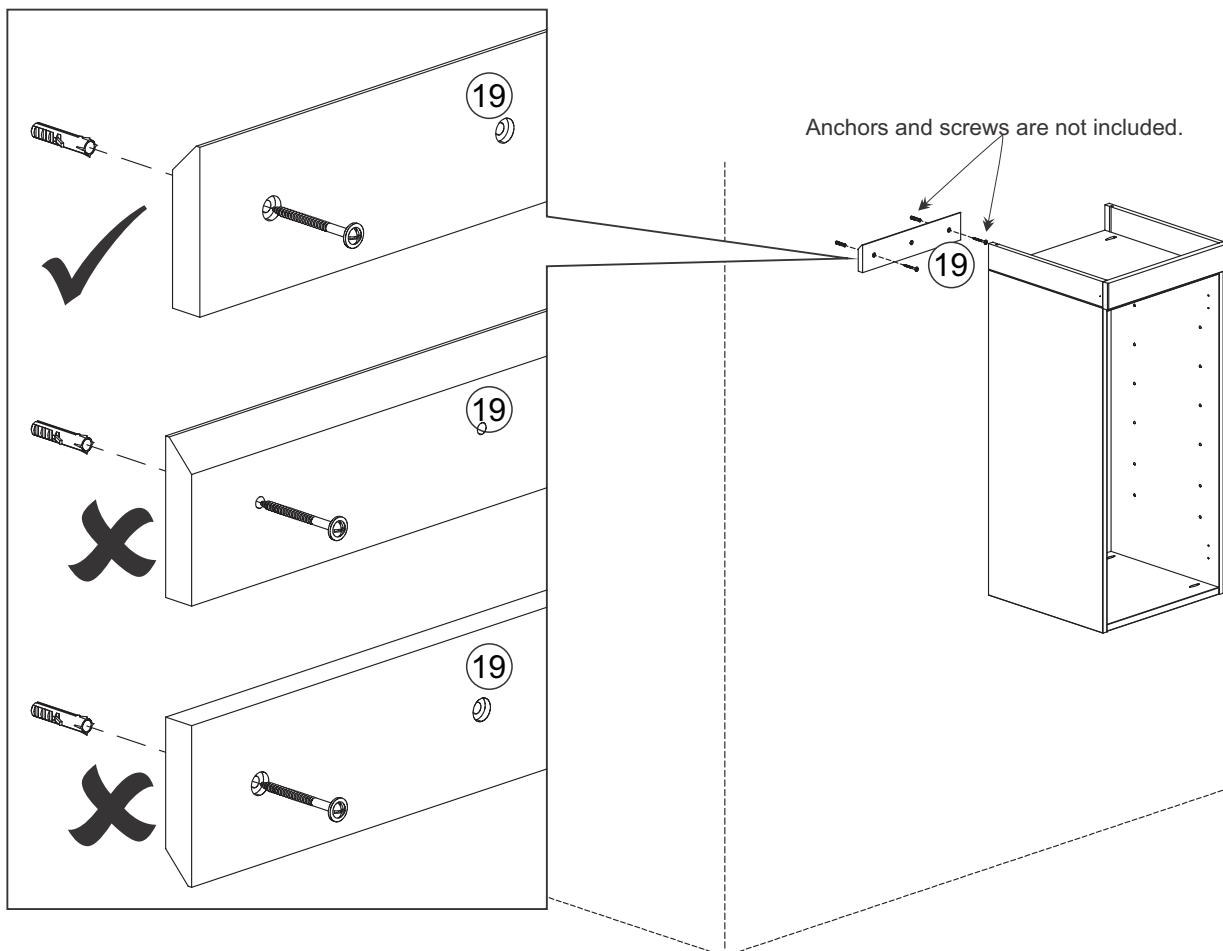


A47	 3,0x20	2
F8		2
F15		1

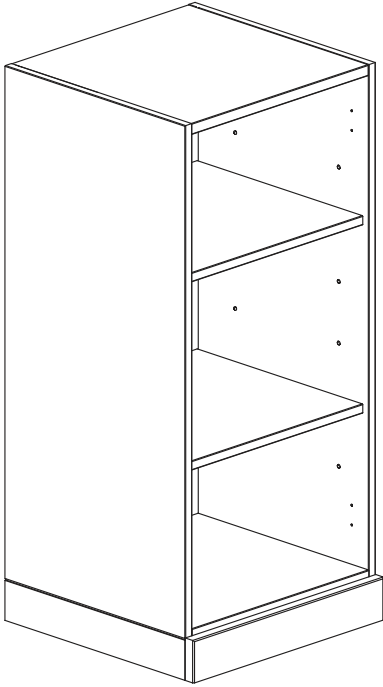
15) Mounting Wall Cabinets with the Molding Facing Downward



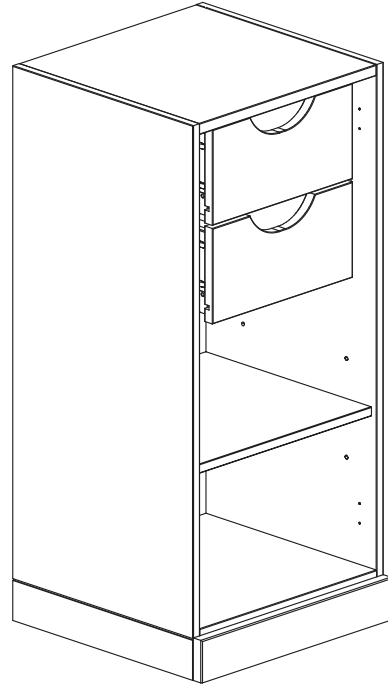
16) Mounting Wall Cabinets with the Molding Facing Upward



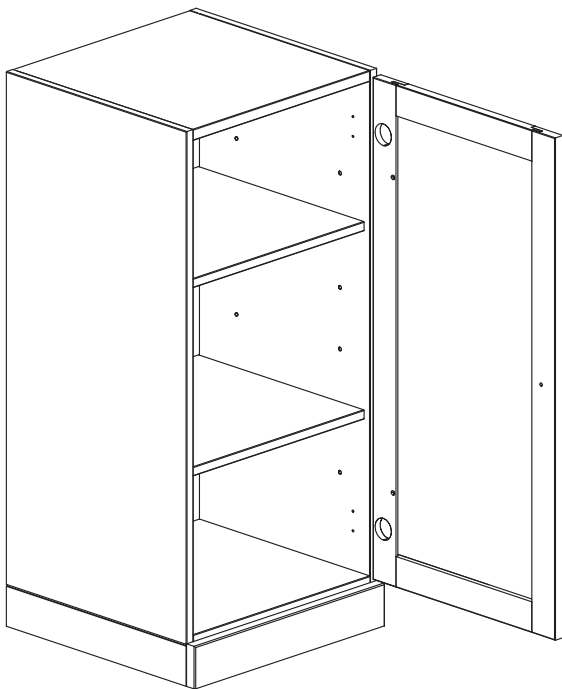
17) This product is modular and can be expanded into multiple configurations with the addition of extra units, doors, or drawer sets (sold separately)



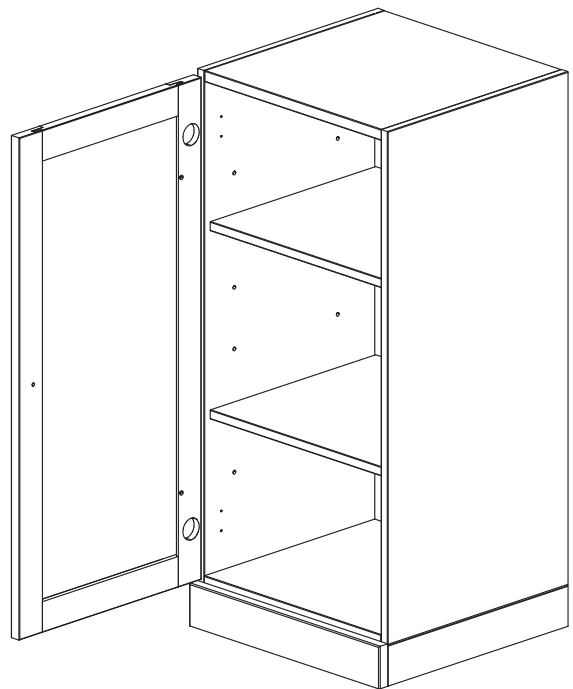
16.5" Unit



16.5" Unit + Drawers

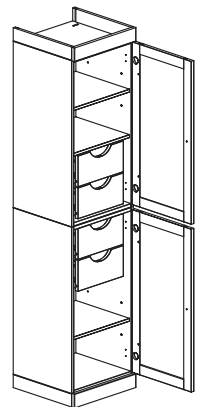
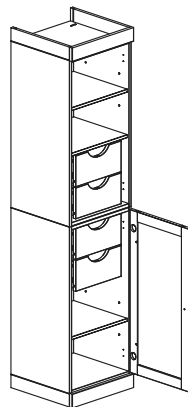
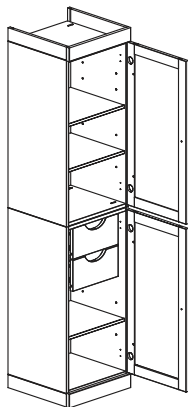
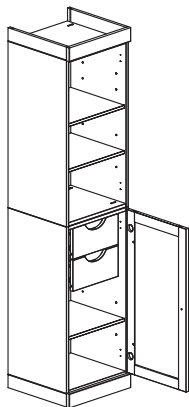
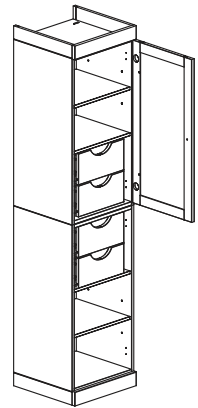
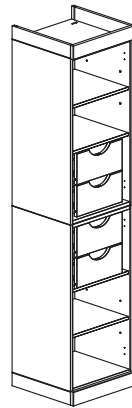
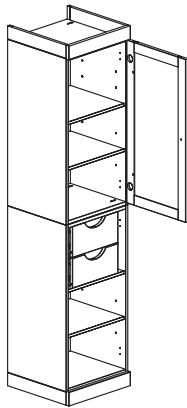
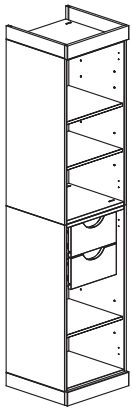
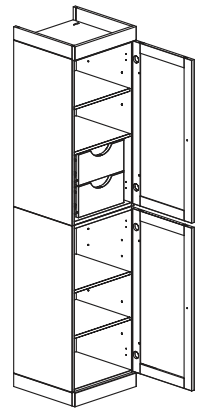
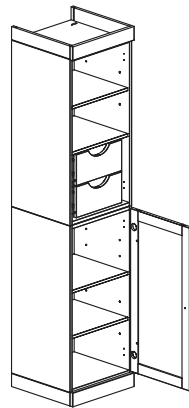
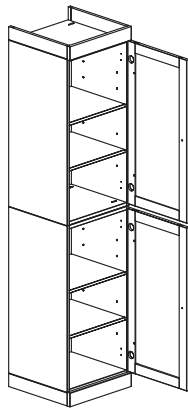
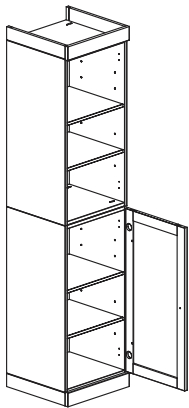
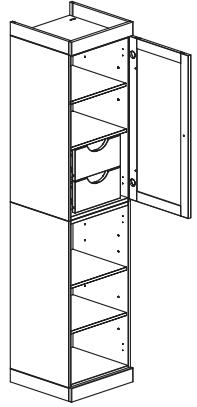
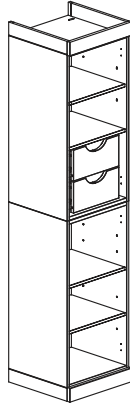
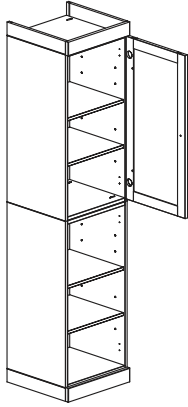
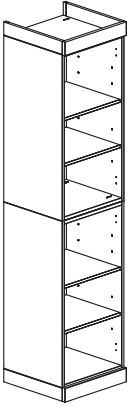


16.5" Unit + Door on the right



16.5" Unit + Door on the left

18) Examples of additional possible configurations



19) Examples of additional possible configurations with the door on the left

