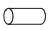

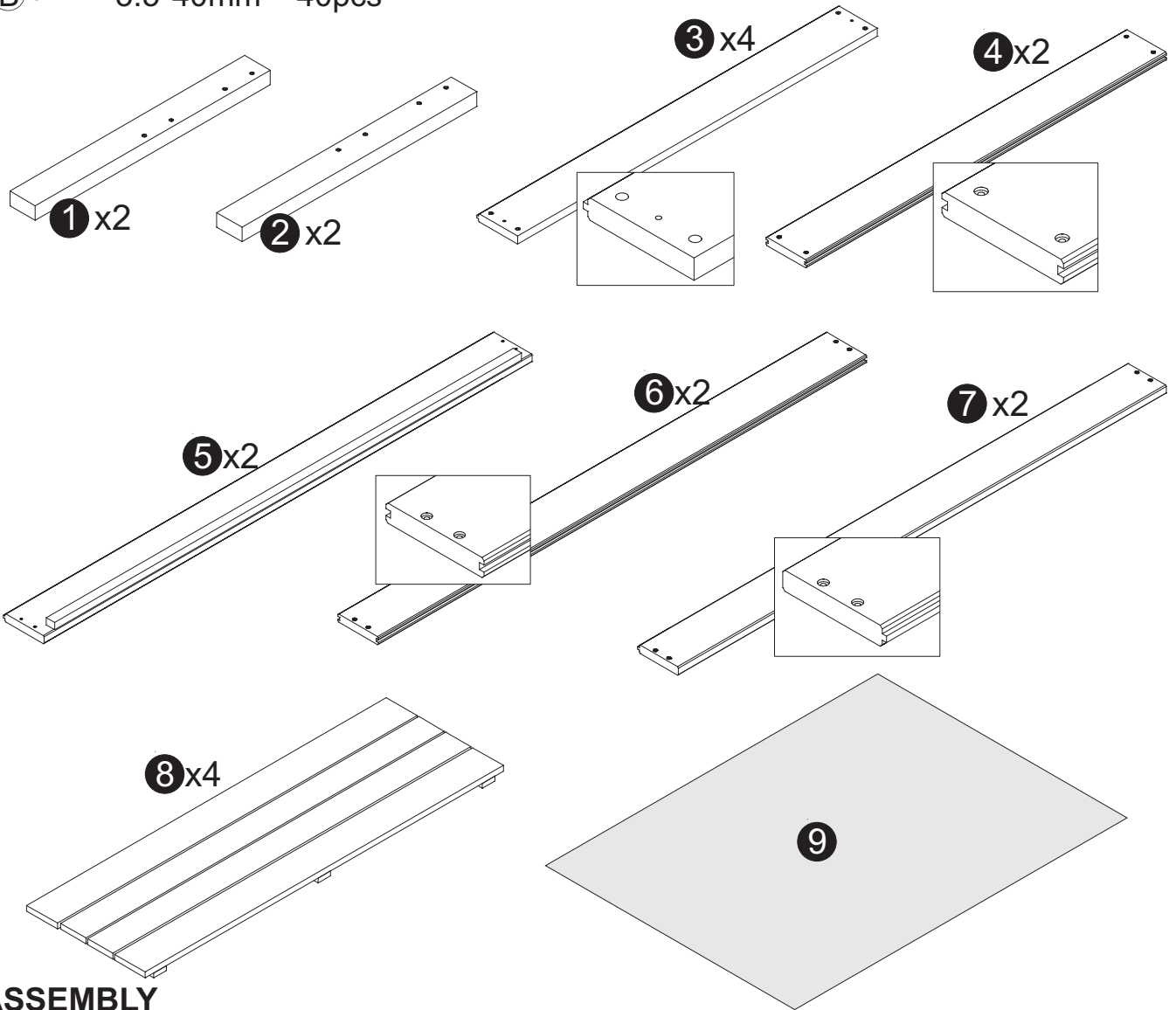


ASSEMBLY INSTRUCTION

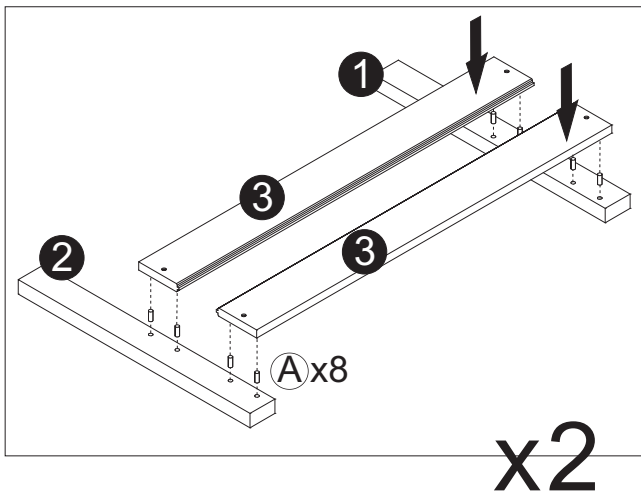
- (A)  8x20mm 16pcs
- (B)  3.5*40mm 40pcs

PARTS



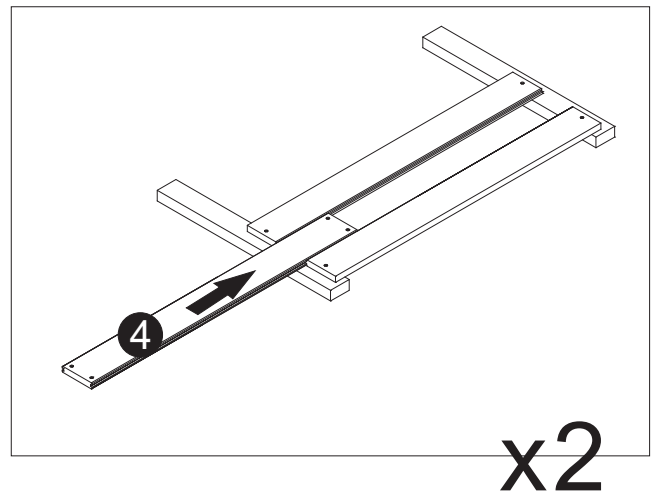
ASSEMBLY

1

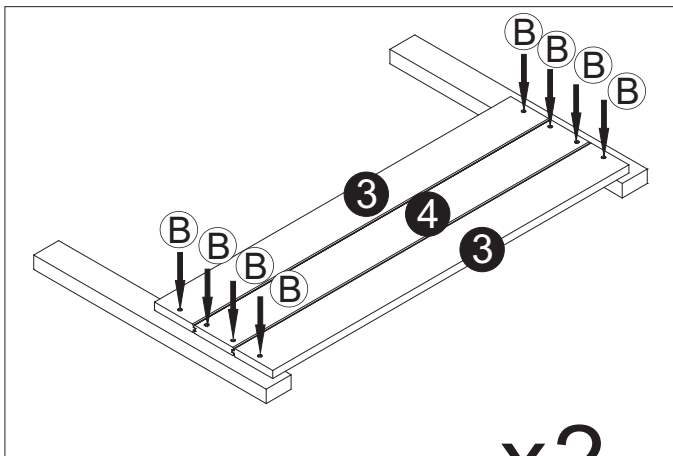


(A)  x16

2



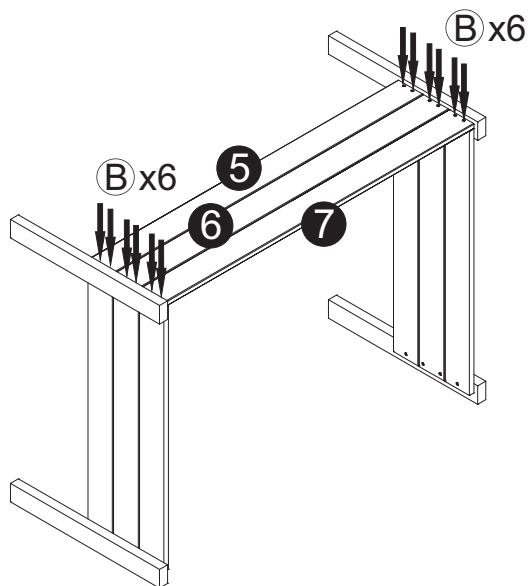
3



x2

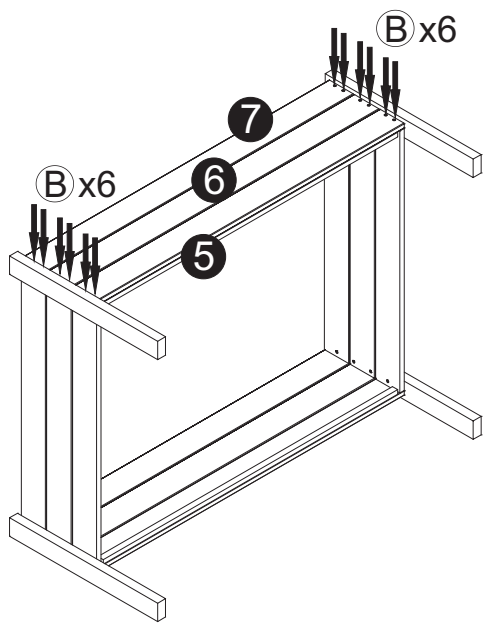
B → x16

4



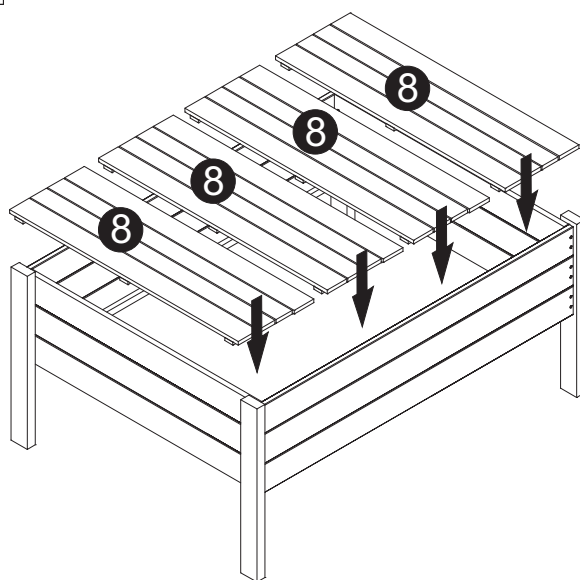
B → x12

5

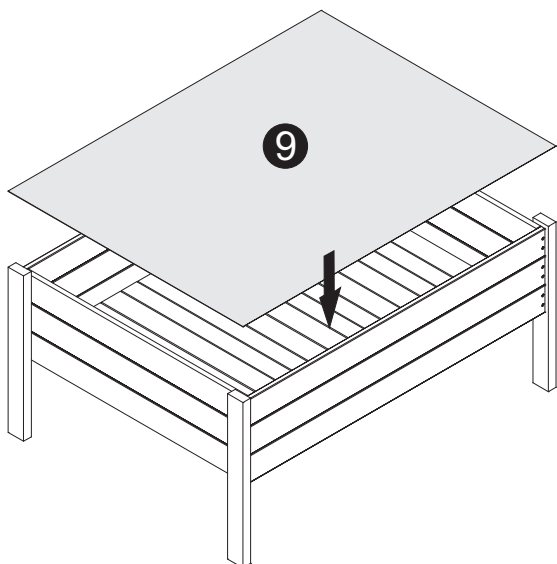


B → x12

6



7



8

