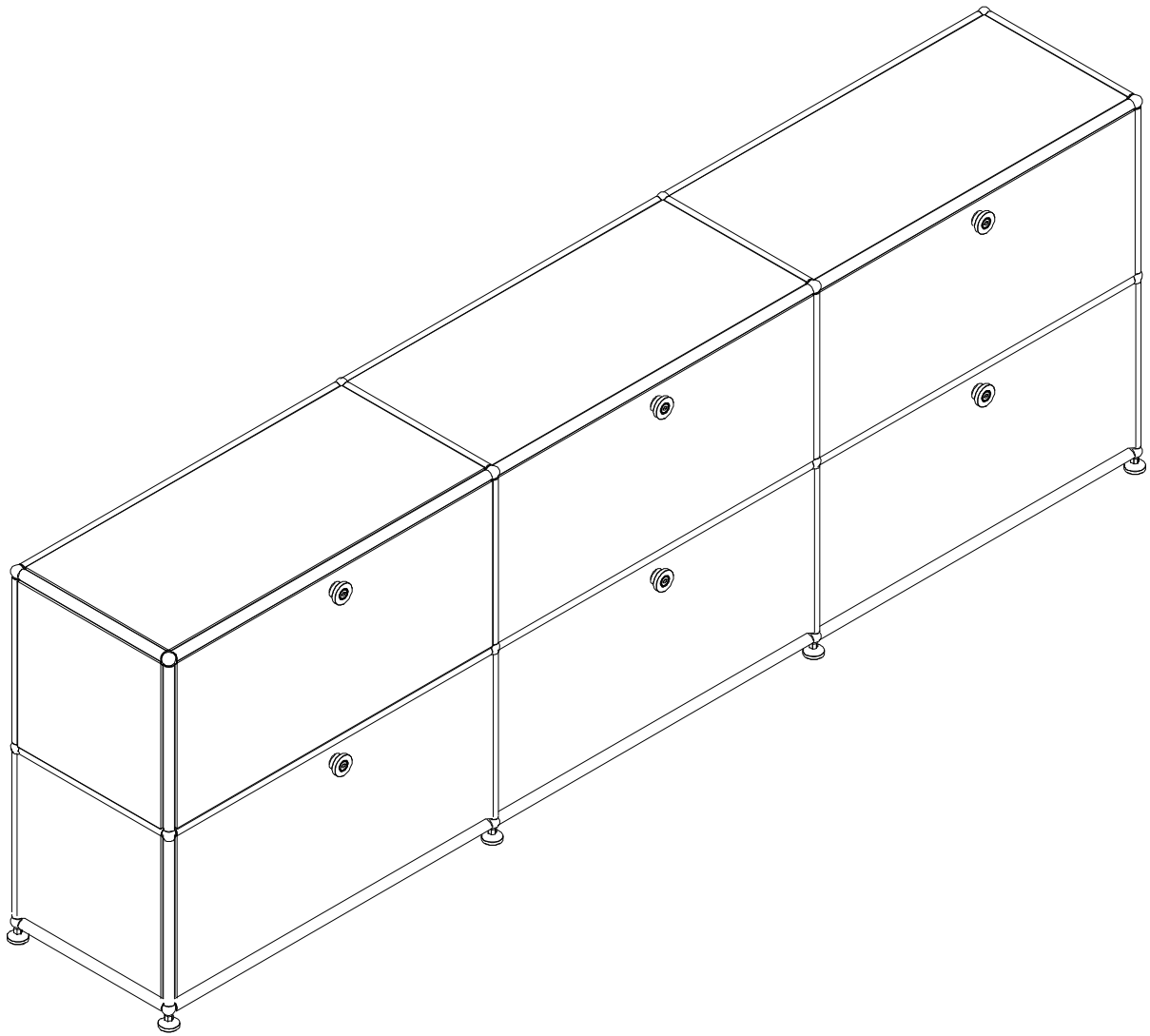
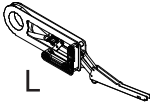
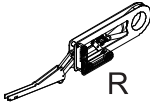
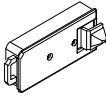
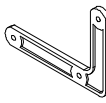
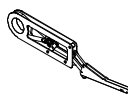
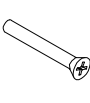
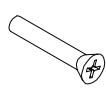



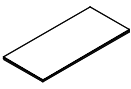
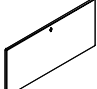
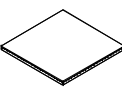
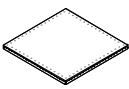
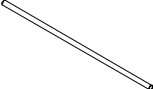
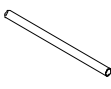
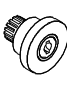
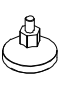
ASSEMBLY INSTRUCTIONS

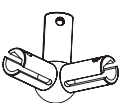
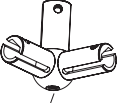
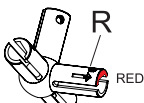
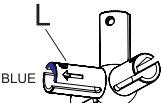
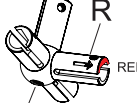
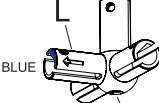
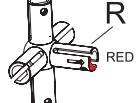
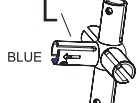
Storage Cabinets Type H






Part List

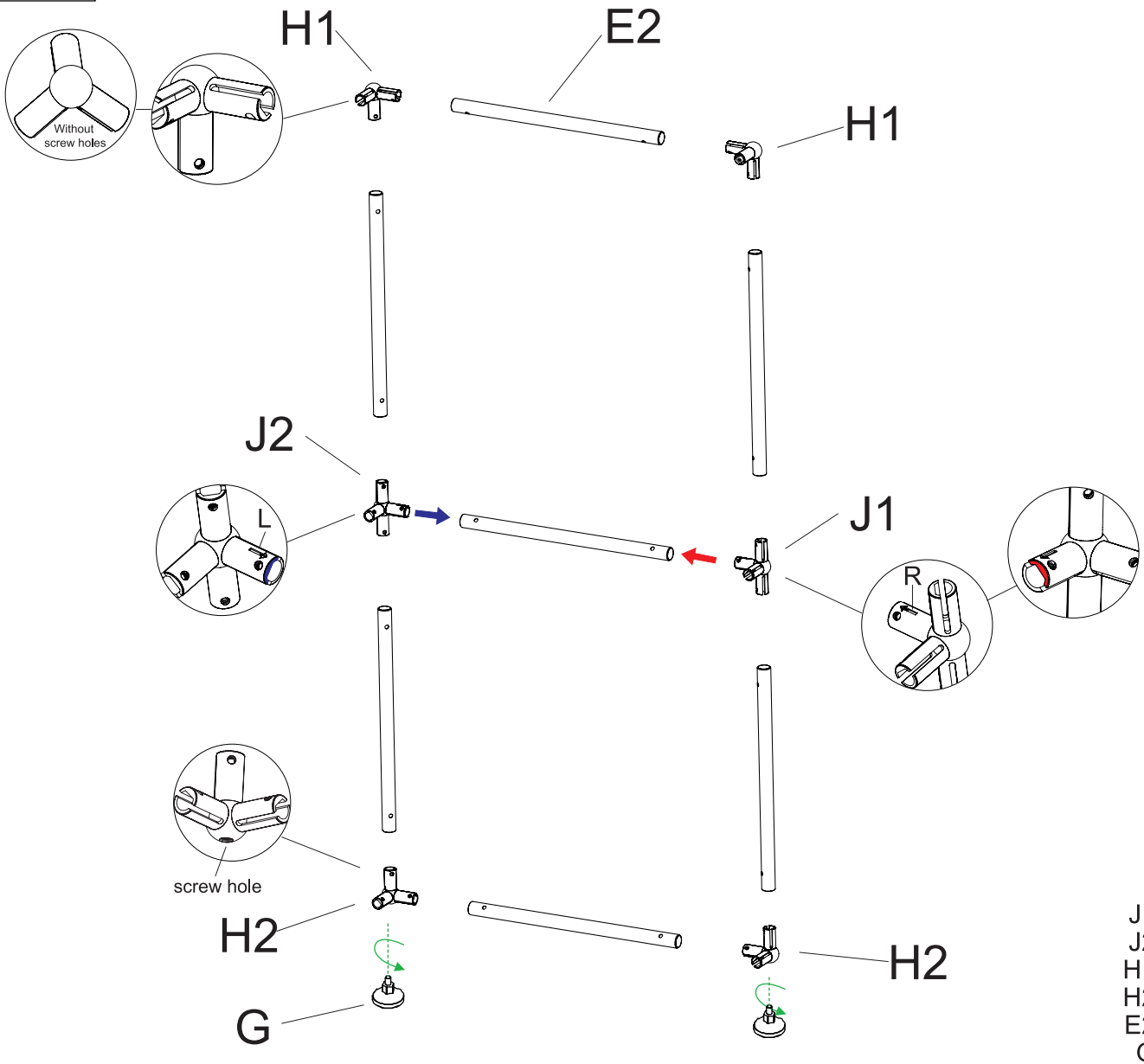
①	②	③	④	⑤	⑥	⑦	⑧
							
x2	x6	x6	x4	x4	M3x28 x12	M4x25 x12	M4x14 x12

A	B	C	D	E1	E2	F	G
							
x15	x6	x4	x4	Long x18	Short x28	x6	x8

H1	H2	J1	J2	K1	K2	L1	L2
							
x4	x4	x4	x4	x2	x2	x2	x2

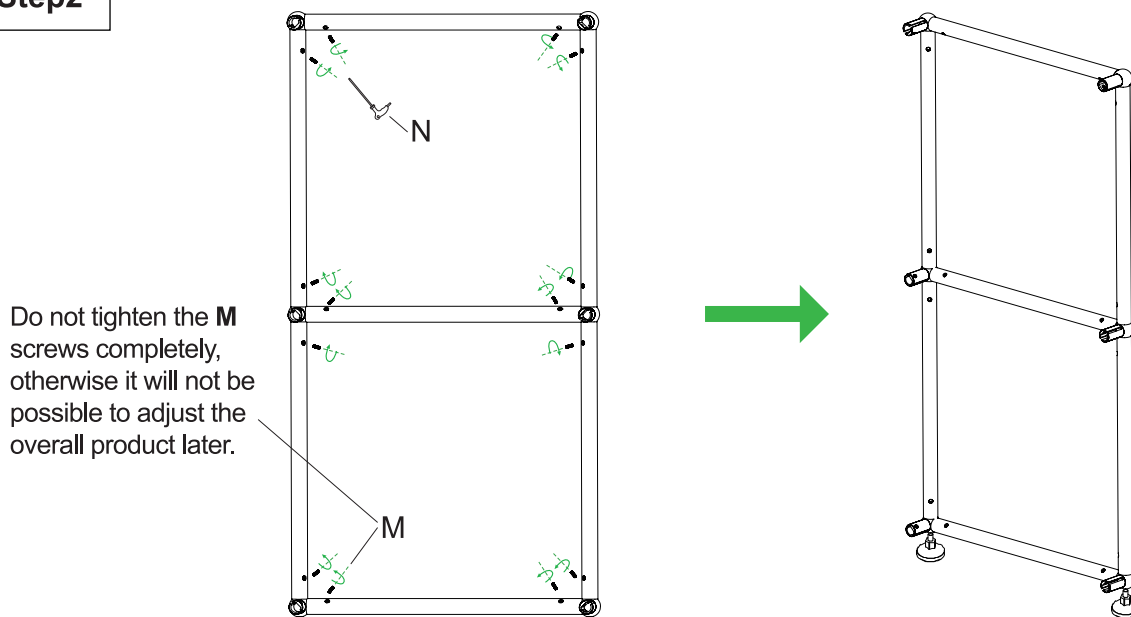
M	N	II
		
x92	x1	x1

Step1



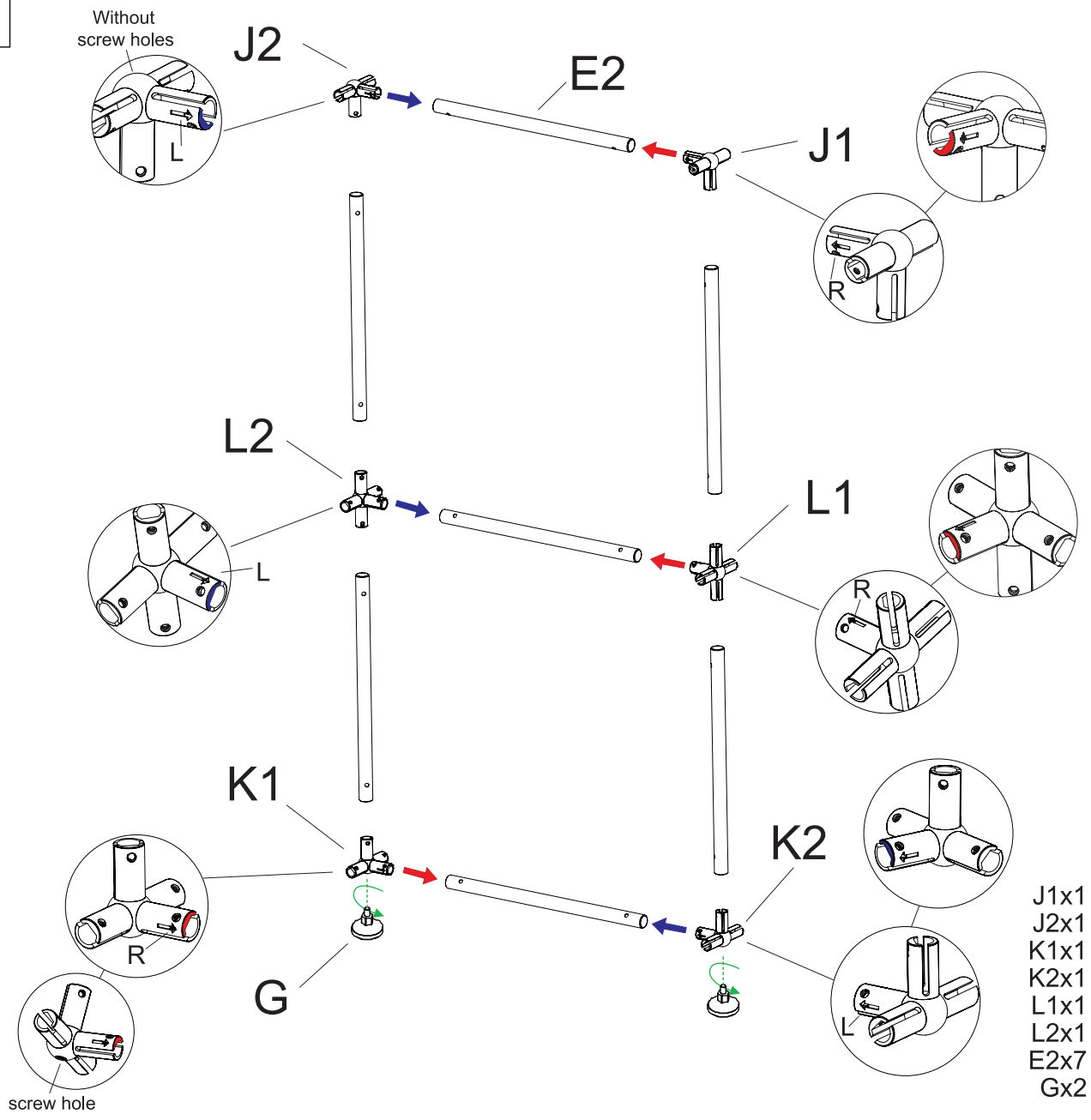
- J1x1
- J2x1
- H1x2
- H2x2
- E2x7
- Gx2

Step2



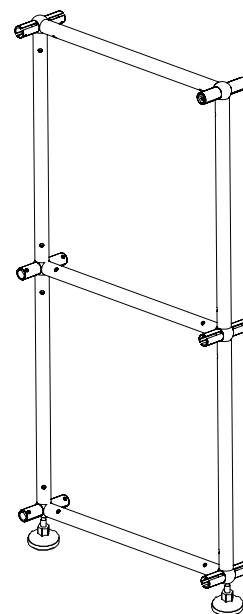
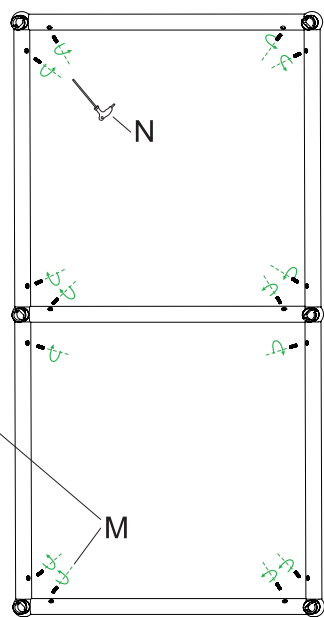
- Mx14
- Step2x2

Step3



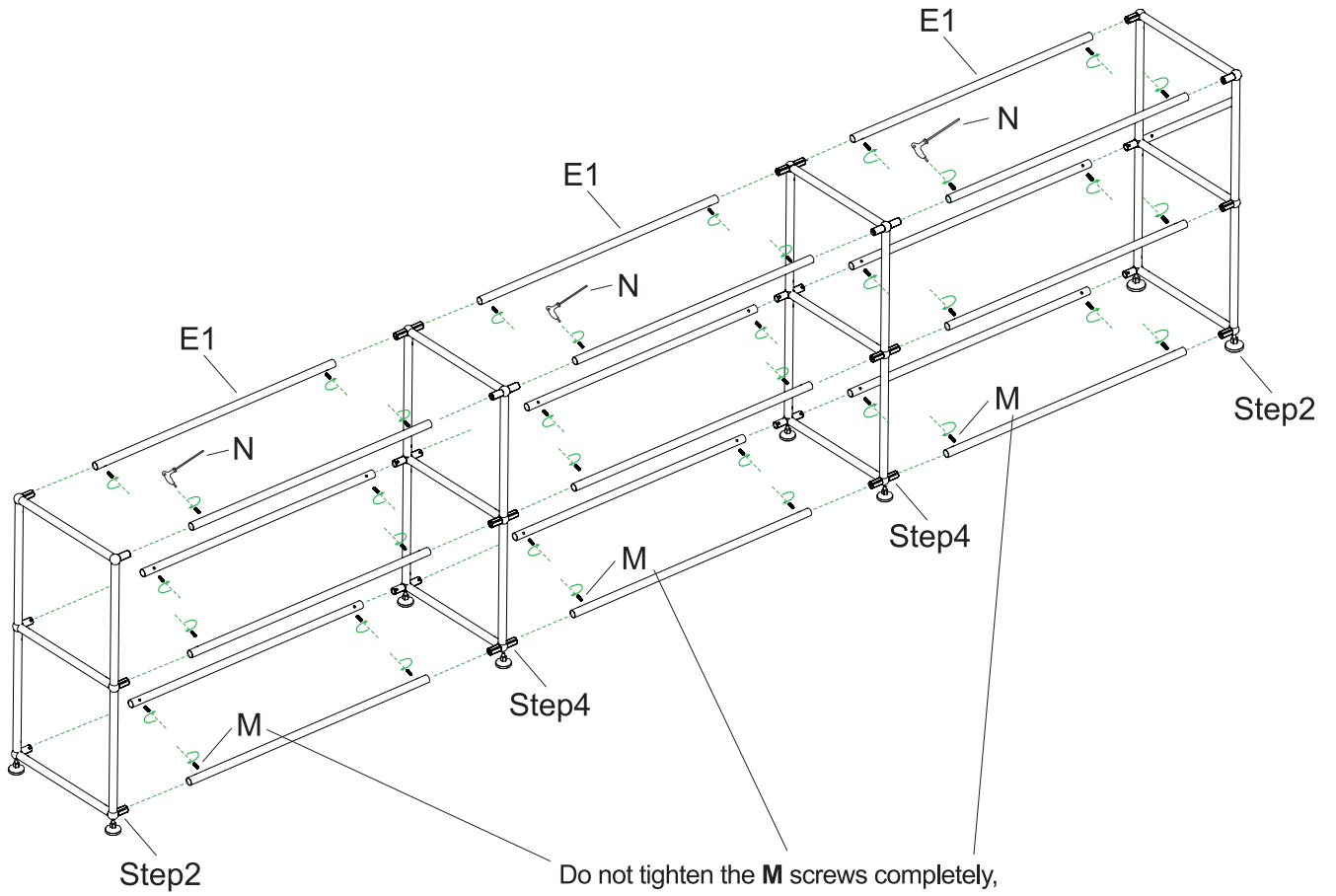
Step4

Do not tighten the **M** screws completely, otherwise it will not be possible to adjust the overall product later.



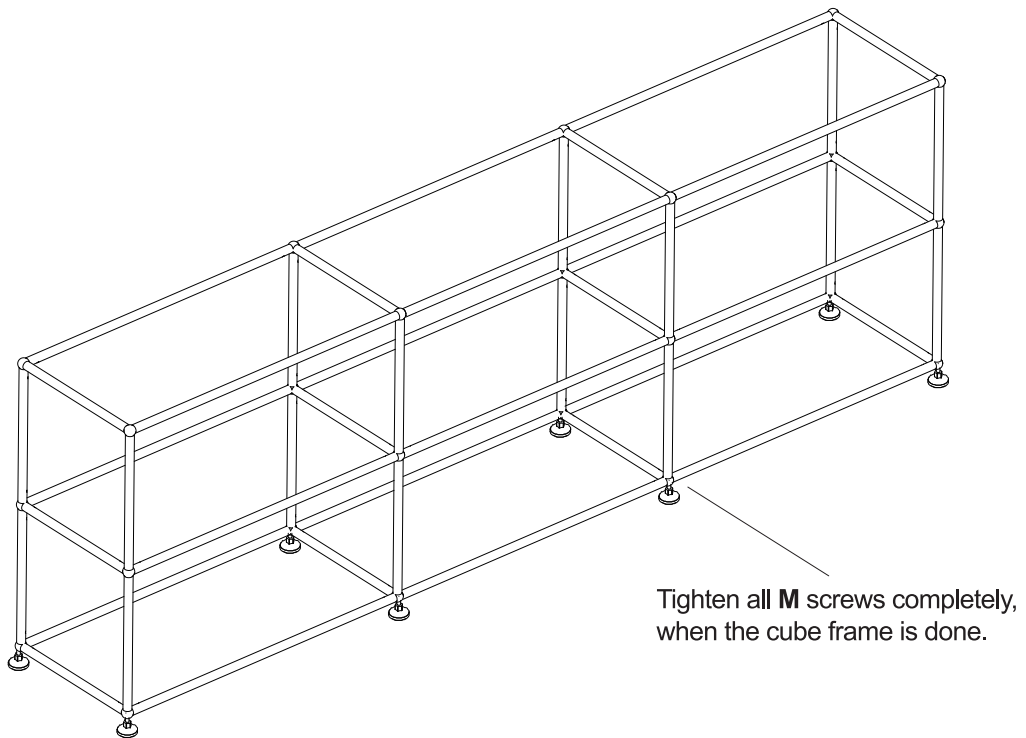
Mx14
Step4x2

Step5

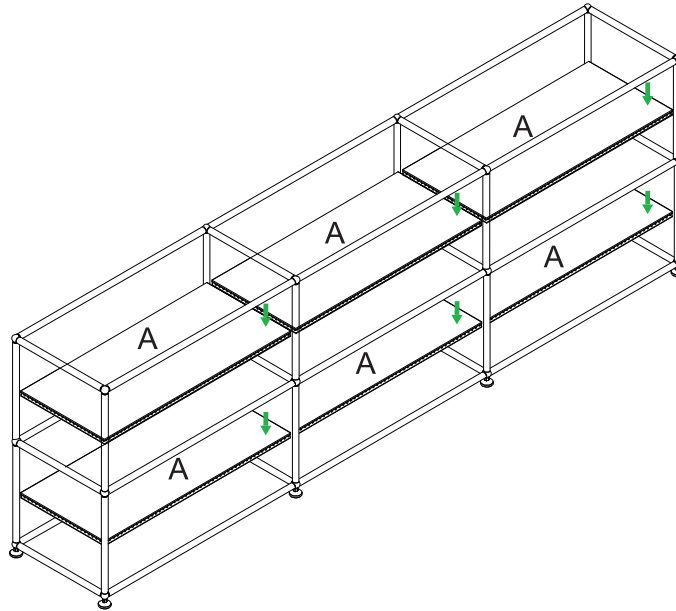


Mx36
E1x18
Step2x2
Step4x2

Step6

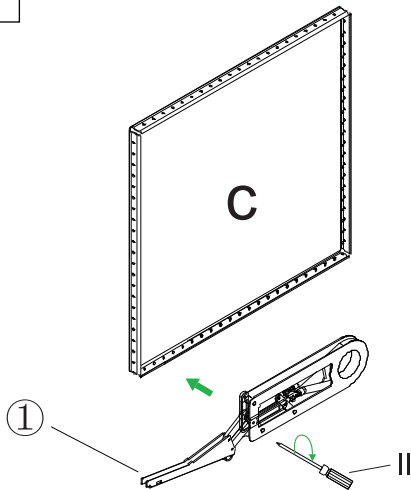


Step7



Ax6

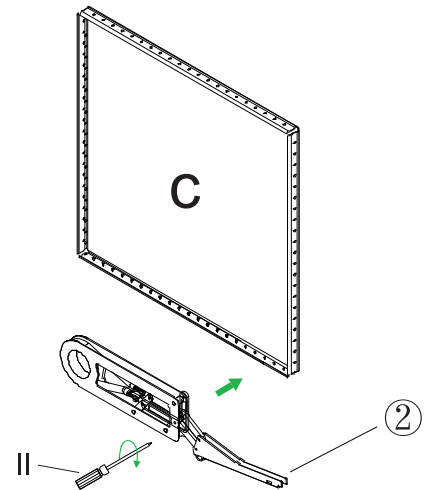
Step8



Partially unscrew the three screws in ① before installing it on the metal panel.

Cx1
①x1
Step8x2

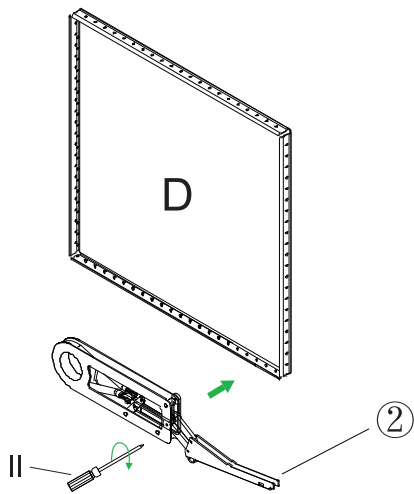
Step9



Partially unscrew the three screws in ② before installing it on the metal panel.

Cx1
②x1
Step9x2

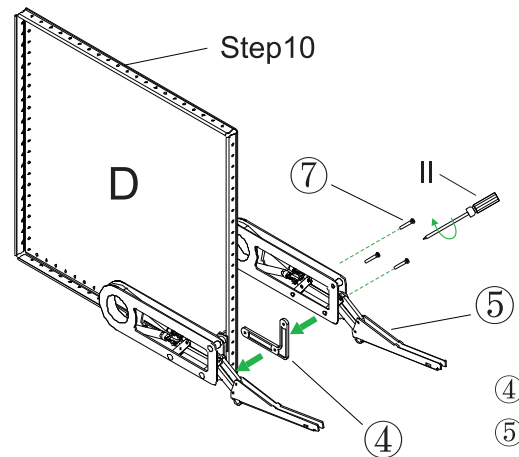
Step10



Partially unscrew the three screws in ② before installing it on the metal panel.

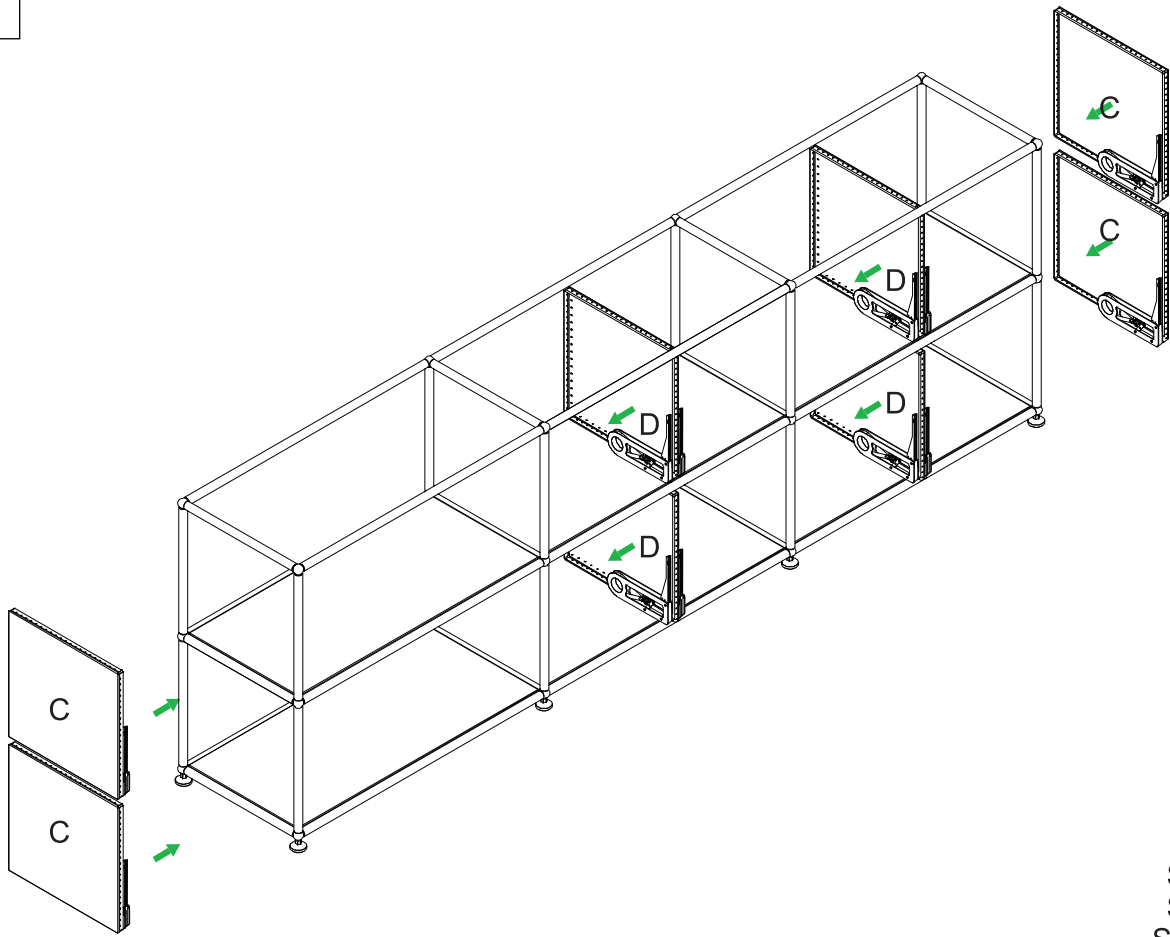
Dx1
②x1
Step10x4

Step11



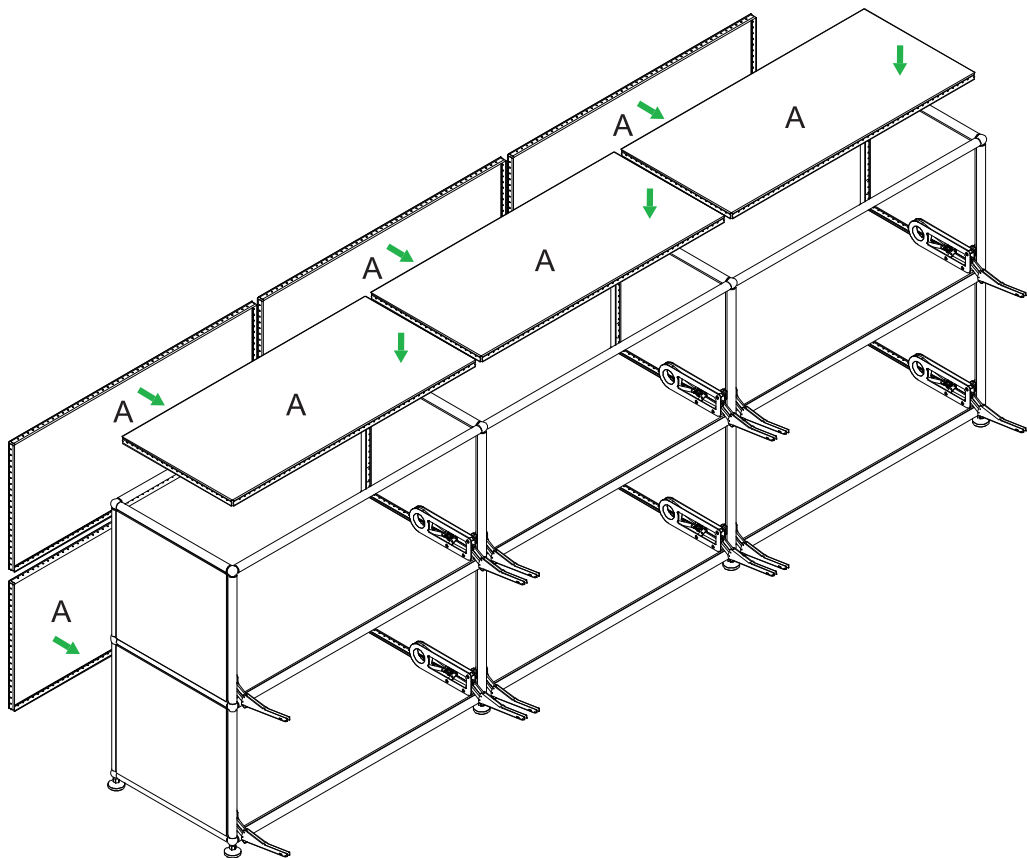
④x1
⑤x1
⑦x3
Step10x1
Step11x4

Step12



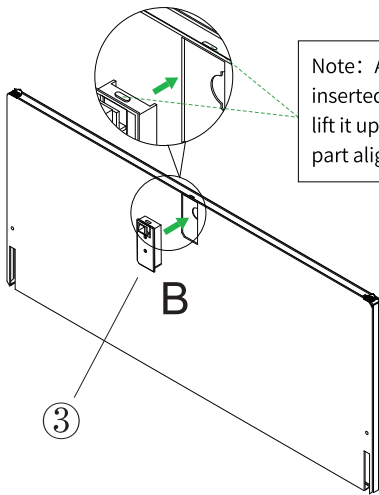
Step8x2
Step9x2
Step11x4

Step13



Ax9

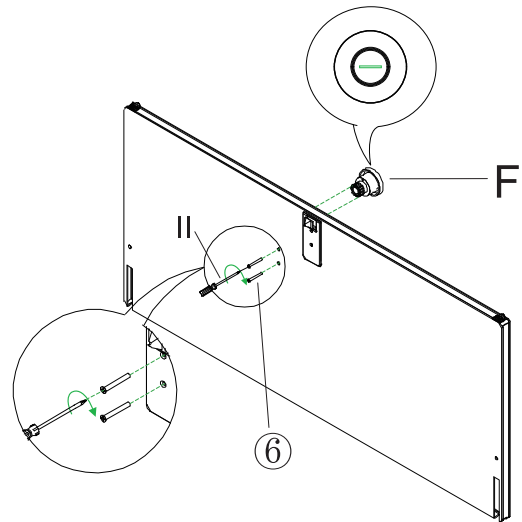
Step14



Note: After the lock box is inserted into the square hole, lift it up so that the convex part aligns with the hole.

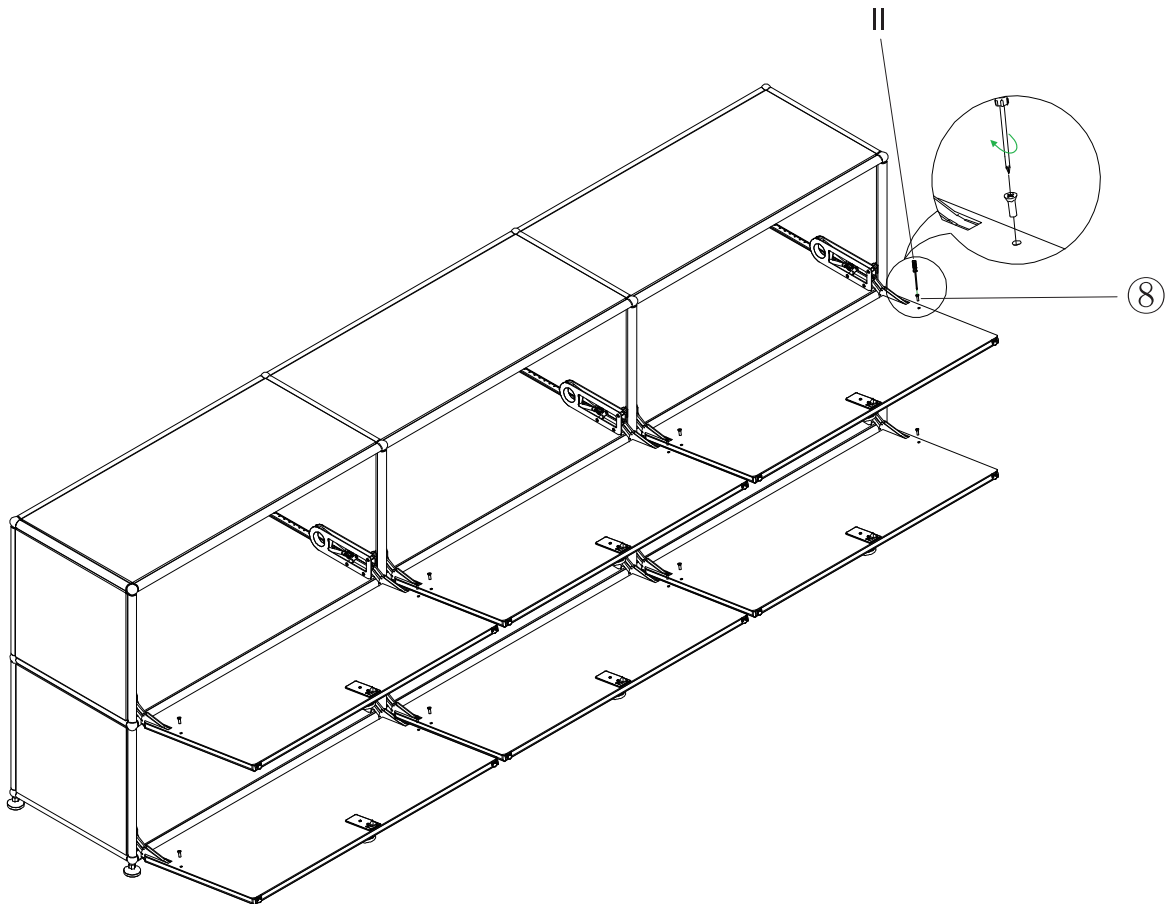
③x1
Bx1

Step15



⑥x2
Fx1
Step15x6

Step16



⑧x12

Finish

