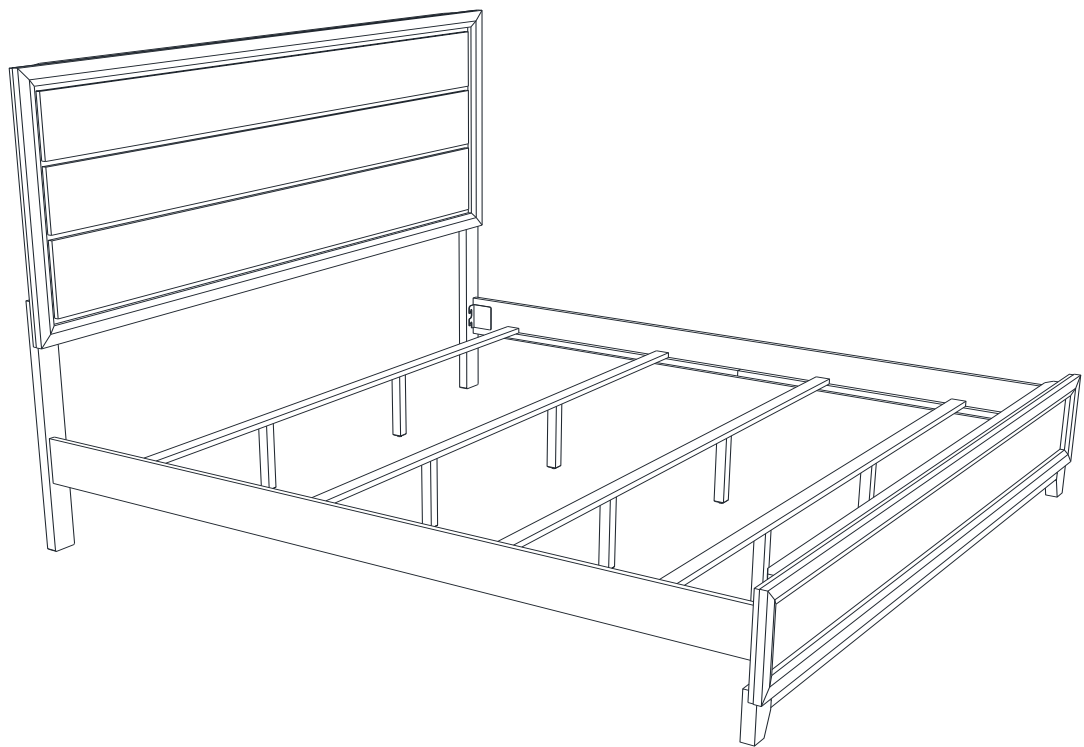


ASSEMBLY INSTRUCTIONS



Fine Furniture for every stage of life

Eastern King Bed

REVISION 0 : 10/16/2017
REVISION 1 : 08/09/2018
REVISION 2 : 08/28/2018
REVISION 3 : 01/02/2019
REVISION 4 : 12/13/2019

ASSEMBLY INSTRUCTIONS

ASSEMBLY TIPS:

1. Remove hardware from box and sort by size.
2. Please check to see that all hardware and parts are present prior to start of assembly.
3. Please follow attached instructions in the same sequence as numbered to assure fast & easy assembly.



WARNING!

1. Don't attempt to repair or modify parts that are broken or defective. Please contact the store immediately.
2. This product is for home use only and not intended for commercial establishments.



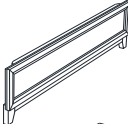
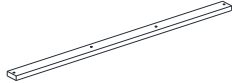




ASSEMBLY TIME


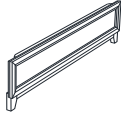
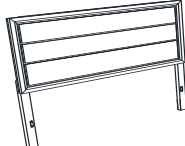
20 MINUTES

PARTS IDENTIFICATION

B1 (BOX 1)







<p>A HEADBOARD PANEL</p>	 1PC	<p>D LEFT HEADBOARD LEG</p>	 1PC
<p>B FOOTBOARD</p>	 1PC	<p>E BED SLAT</p>	 4PCS
<p>C RIGHT HEADBOARD LEG</p>	 1PC	<p>F BED SLAT SUPPORT WITH LEVELER</p>	 8PCS

B2 (BOX 2)

<p>G BED RAIL</p>	 2PCS	<p>B FROM BOX 1 FOOTBOARD</p>	 1PC
<p>HB FROM BOX 1 HEADBOARD COMPLETE</p>	 1PC		

HARDWARE IDENTIFICATION

Z-B1 (BOX 1) - HARDWARE PACK IS LOCATED

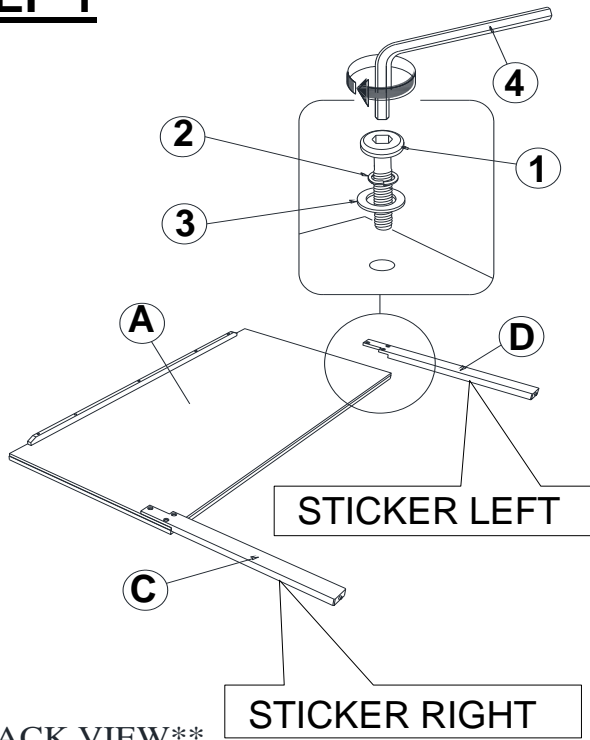
<p>1 BOLT (M6 x 30mm - BLK)</p>	 6PCS	<p>4 SMALL ALLEN WRENCH (M4 x 60mm - BLK)</p>	 1PC
<p>2 LOCK WASHER (1/4" - BLK)</p>	 6PCS	<p>5 BIG ALLEN WRENCH (M5 x 65mm - BLK)</p>	 1PC
<p>3 FLAT WASHER (1/4" ID x 13mm - BLK)</p>	 6PCS	<p>6 FLAT HEAD SCREW (M4 x 32mm - RBW)</p>	 8PCS

NOTE:

Phillips head screw driver is required in the assembly process; however, manufacturer does not provide this item.

ASSEMBLY INSTRUCTIONS

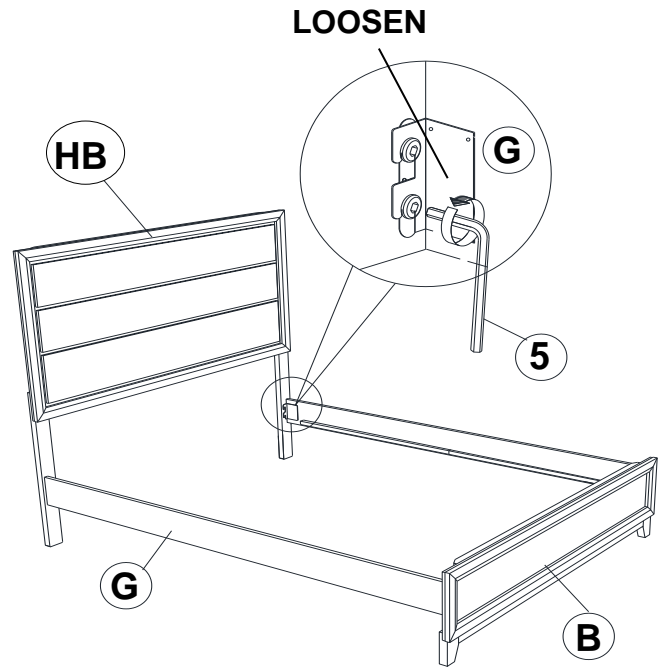
STEP 1



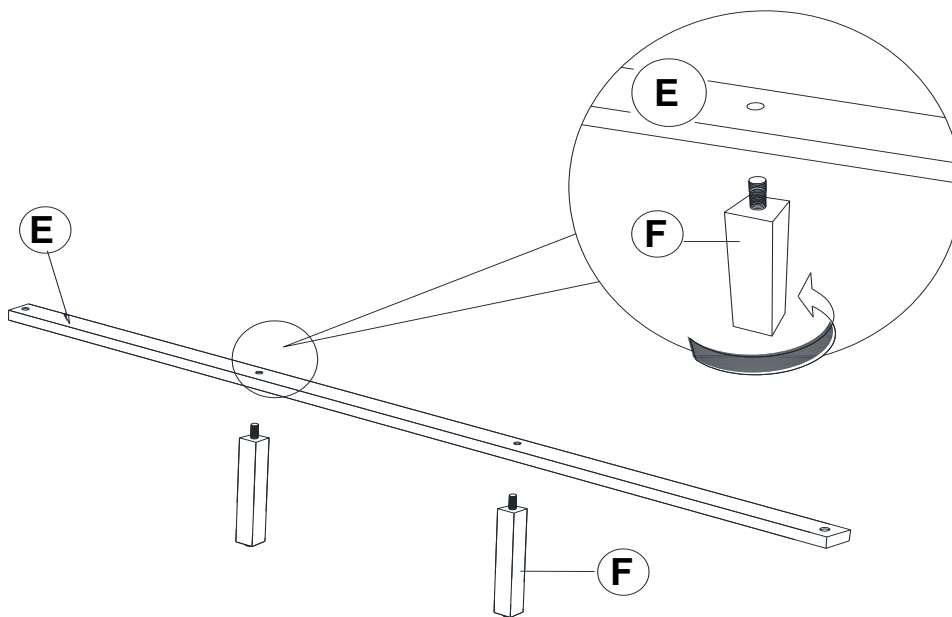
BACK VIEW

Note: Please take note of the marking sticker (L & R) on the headboard legs.

STEP 2

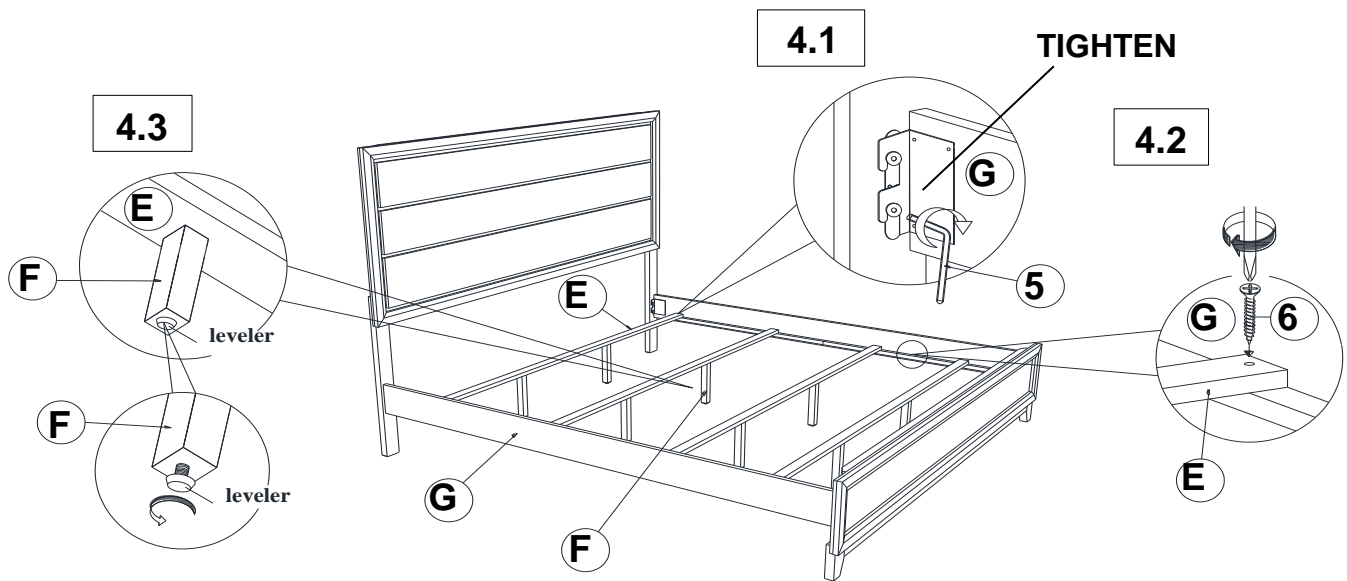


STEP 3

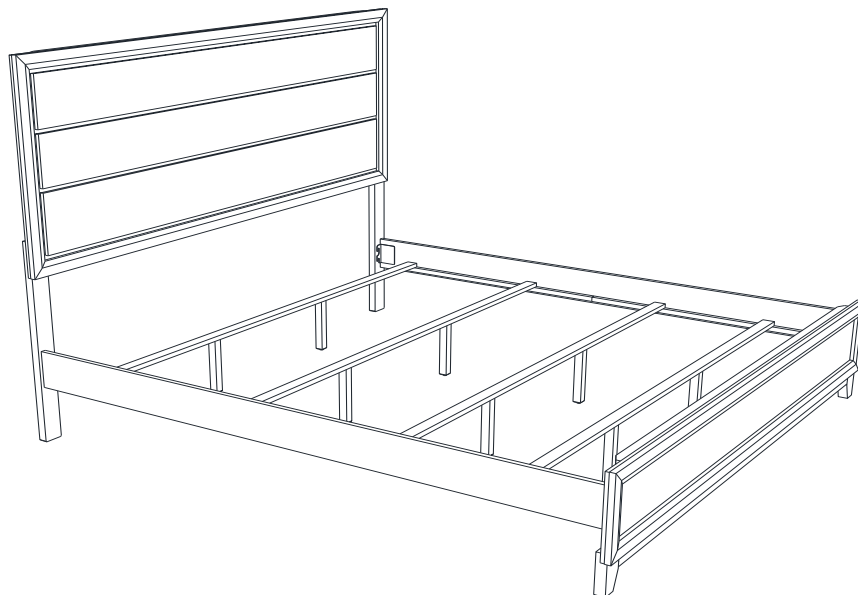


ASSEMBLY INSTRUCTIONS

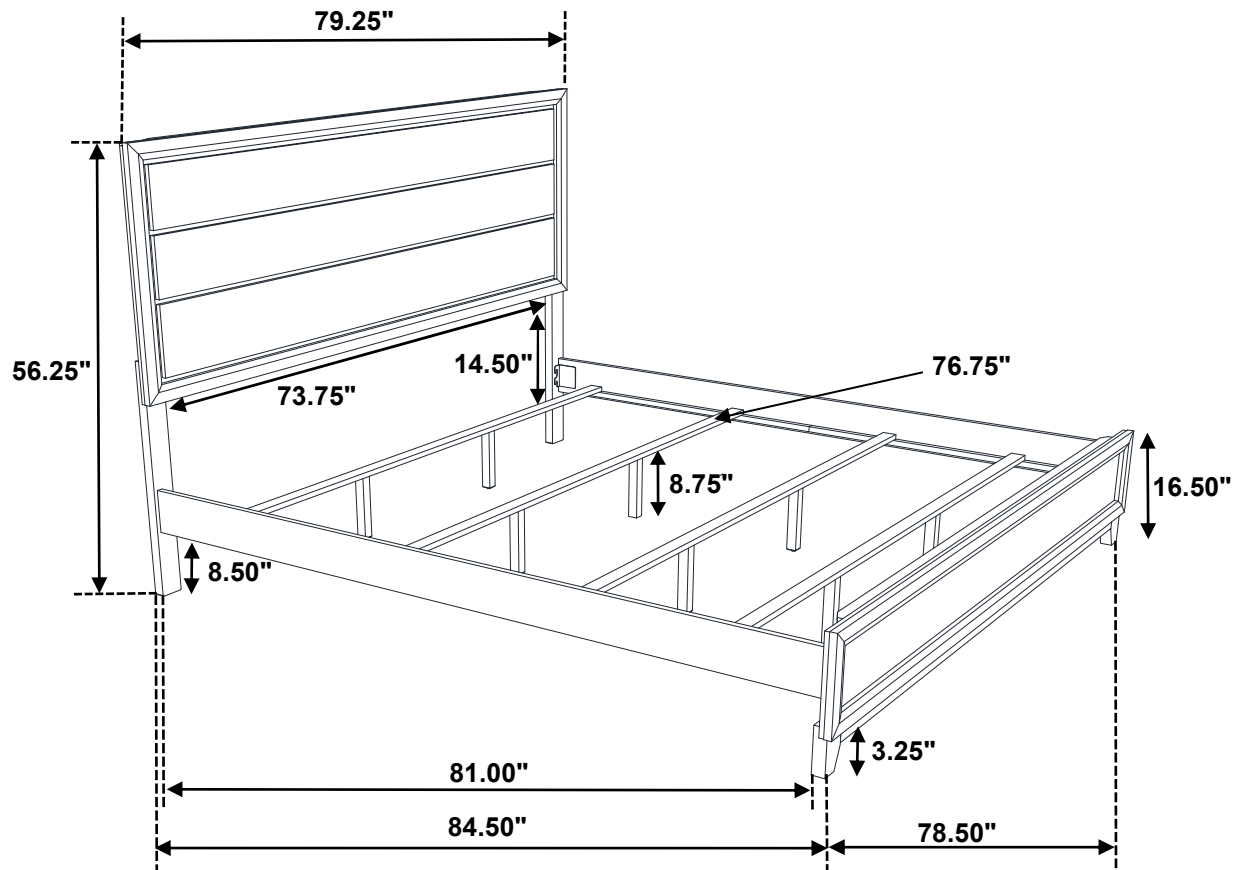
STEP 4



STEP 5 COMPLETE



Inner Size : 76.75"W X 81.00"D



Note : Dimension tolerance $\pm 5\%$

ASSEMBLY INSTRUCTIONS



Fine Furniture for every stage of life

Nightstand

REVISION 0 : 10/16/2017
REVISION 1 : 12/26/2017
REVISION 2 : 08/09/2018
REVISION 3 : 01/02/2019
REVISION 4 : 12/13/2019

ASSEMBLY INSTRUCTIONS

ASSEMBLY TIPS:

1. Remove hardware from box and sort by size.
2. Please check to see that all hardware and parts are present prior to start of assembly.
3. Please follow attached instructions in the same sequence as numbered to assure fast & easy assembly.



WARNING!

1. Don't attempt to repair or modify parts that are broken or defective. Please contact the store immediately.
2. This product is for home use only and not intended for commercial establishments.

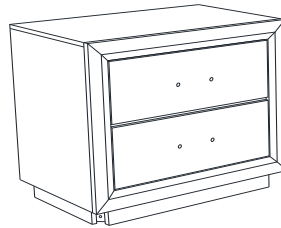


ASSEMBLY TIME

5 MINUTES

PARTS IDENTIFICATION

A NIGHTSTAND



1PC

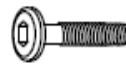
B LEG



4PCS

HARDWARE IDENTIFICATION

1 BOLT
(M6 x 50mm - BLK)



4PCS

2 LOCK WASHER
(1/4" - BLK)



4PCS

3 FLAT WASHER
(1/4" ID x 19mm - BLK)



4PCS

4 ALLEN WRENCH
(M4 x 60mm - BLK)



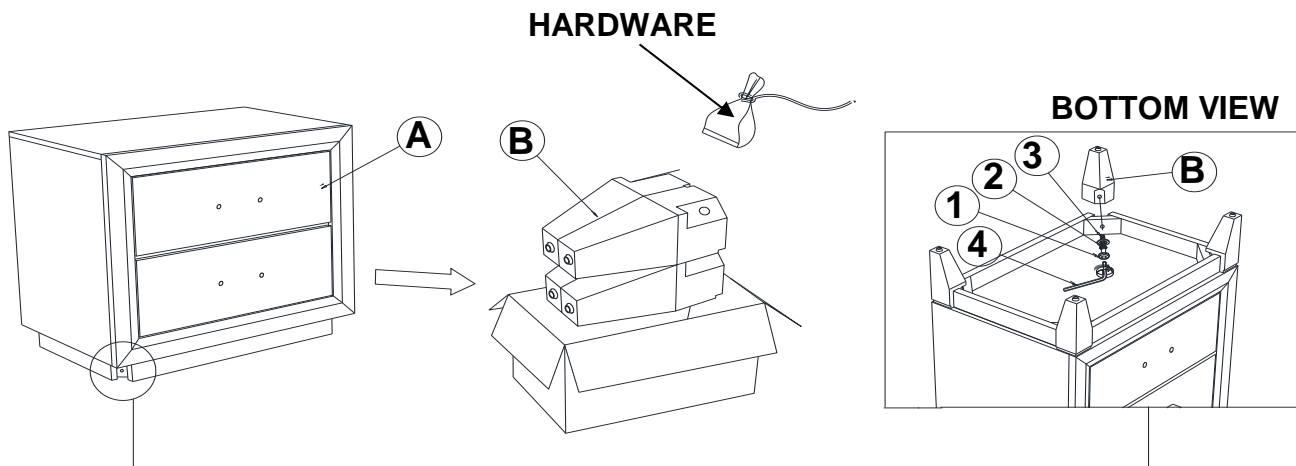
1PC

NOTE:

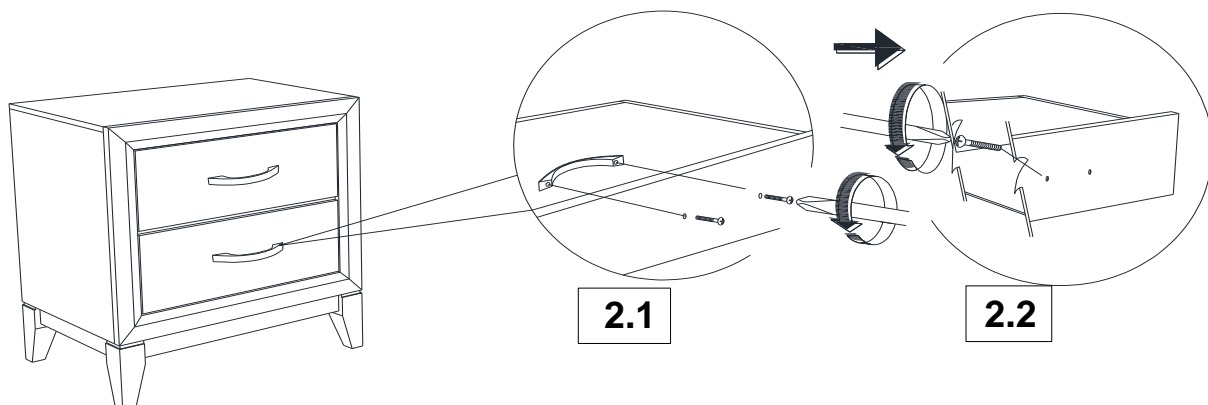
Phillips head screw driver is required in the assembly process; however, manufacturer does not provide this item.

ASSEMBLY INSTRUCTIONS

STEP 1



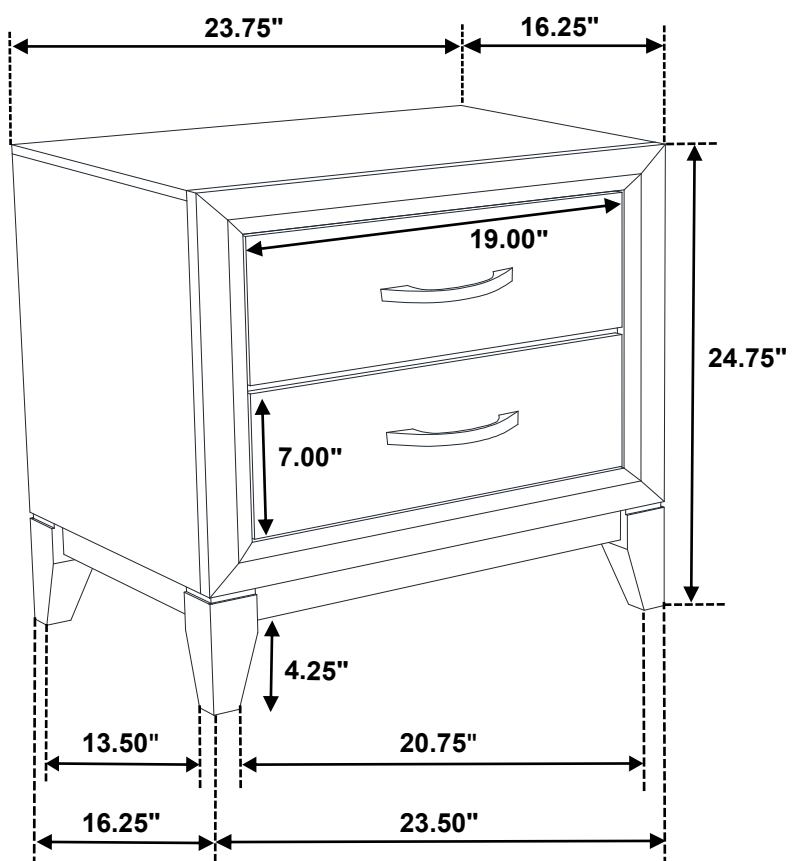
STEP 2



STEP 3 **COMPLETE**



Inner Size of Drawer : 17.00"W x 12.50"D x 4.00"H x 0.25"T



Note : Dimension tolerance $\pm 5\%$

ASSEMBLY INSTRUCTIONS



Fine Furniture for every stage of life

Dresser

REVISION 0 : 10/16/2017
REVISION 1 : 12/26/2017
REVISION 2 : 08/09/2018
REVISION 3 : 01/02/2019
REVISION 4 : 12/13/2019

ASSEMBLY INSTRUCTIONS

ASSEMBLY TIPS:

1. Remove hardware from box and sort by size.
2. Please check to see that all hardware and parts are present prior to start of assembly.
3. Please follow attached instructions in the same sequence as numbered to assure fast & easy assembly.



WARNING!

1. Don't attempt to repair or modify parts that are broken or defective. Please contact the store immediately.
2. This product is for home use only and not intended for commercial establishments.



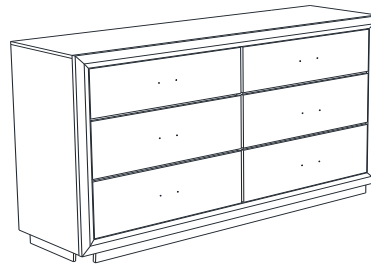
ASSEMBLY TIME

5 MINUTES

PARTS IDENTIFICATION

A

DRESSER



1PC

B

LEG



4PCS

C

CENTER SUPPORT LEG
WITH LEVELER

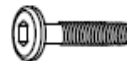


1PC

HARDWARE IDENTIFICATION

1

BOLT
(M6 x 50mm - BLK)



4PCS

2

LOCK WASHER
(1/4" - BLK)



4PCS

3

FLAT WASHER
(1/4" ID x 19mm - BLK)



4PCS

4

ALLEN WRENCH
(M4 x 60mm - BLK)



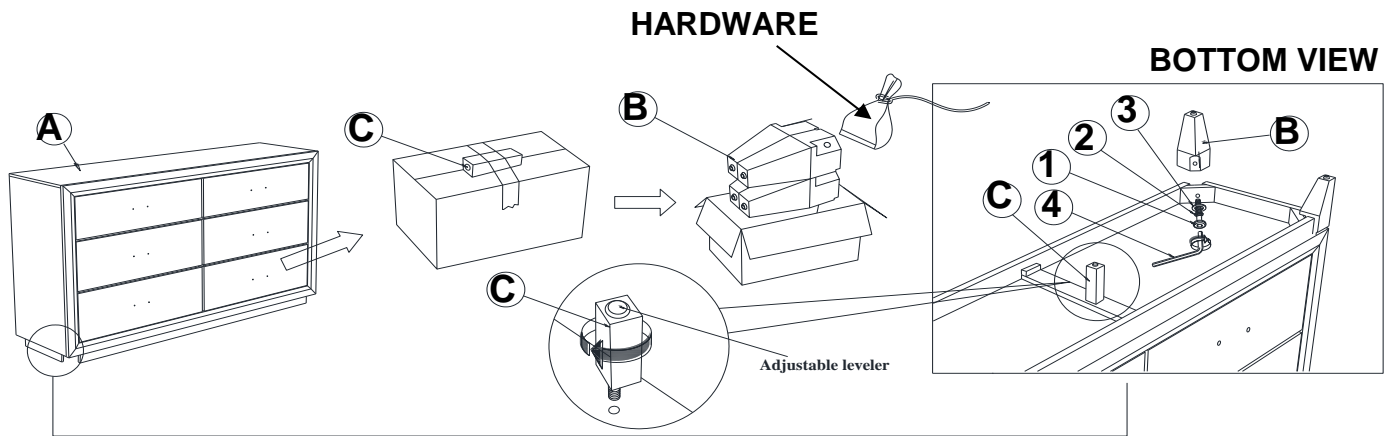
1PC

NOTE:

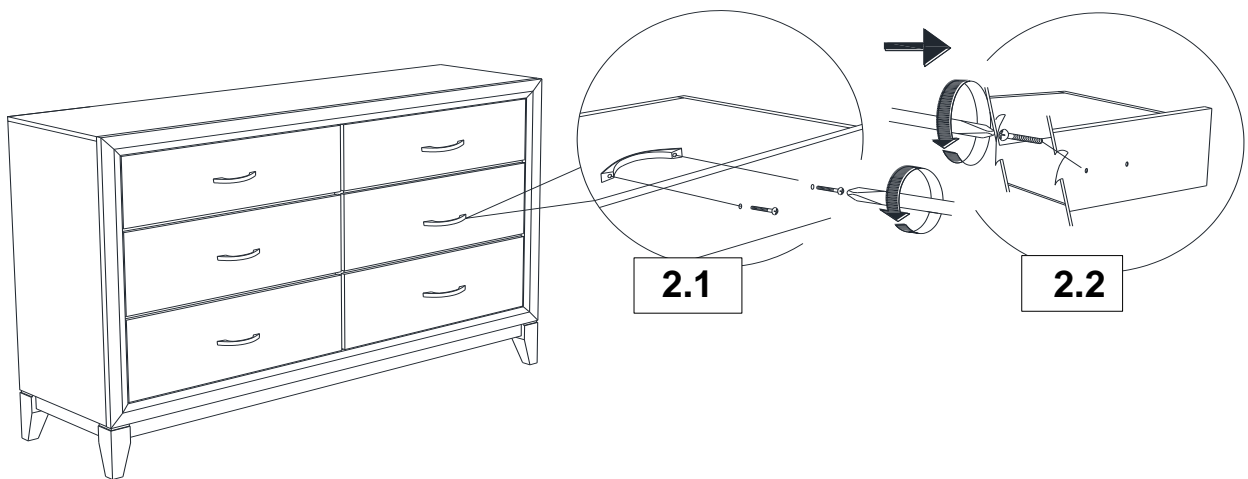
Phillips head screw driver is required in the assembly process; however, manufacturer does not provide this item.

ASSEMBLY INSTRUCTIONS

STEP 1



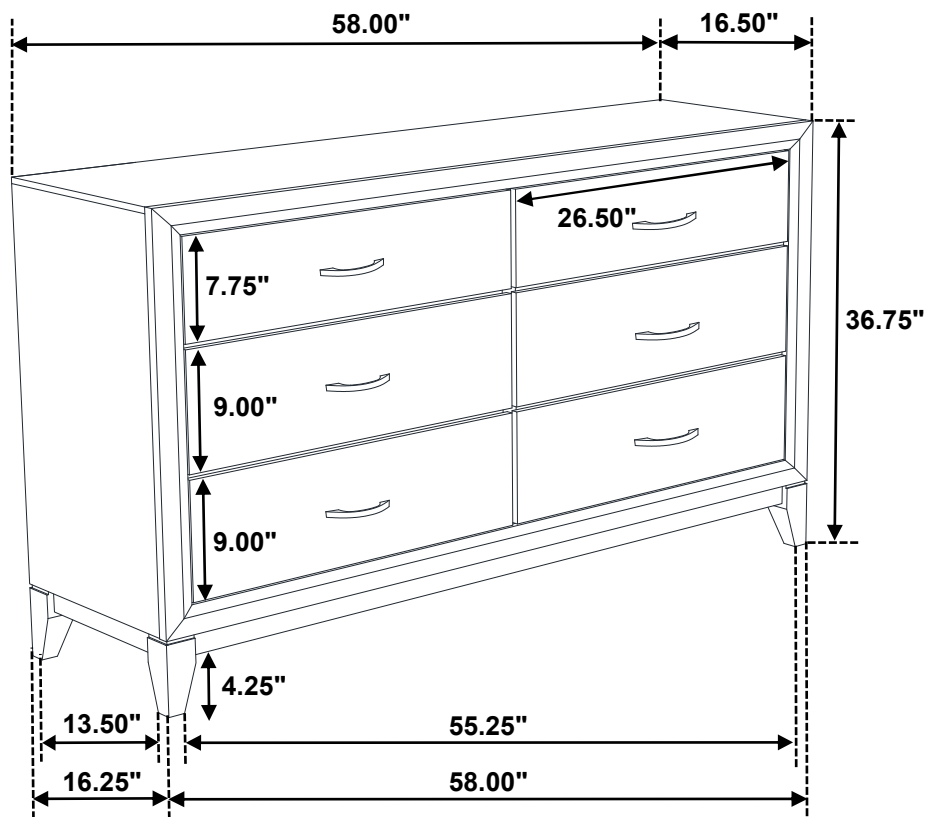
STEP 2



STEP 3 **COMPLETE**



Inner Size of Drawer : 23.25"W x 12.50"D x 5.00"H x 0.25"H



Note : Dimension tolerance $\pm 5\%$

ASSEMBLY INSTRUCTIONS



Fine Furniture for every stage of life

Mirror

REVISION 0 : 10/16/2017
REVISION 1 : 08/09/2018
REVISION 2 : 08/29/2018
REVISION 3 : 01/02/2019
REVISION 4 : 12/13/2019

ASSEMBLY INSTRUCTIONS

ASSEMBLY TIPS:

1. Remove hardware from box and sort by size.
2. Please check to see that all hardware and parts are present prior to start of assembly.
3. Please follow attached instructions in the same sequence as numbered to assure fast & easy assembly.



WARNING!

1. Don't attempt to repair or modify parts that are broken or defective. Please contact the store immediately.
2. This product is for home use only and not intended for commercial establishments.

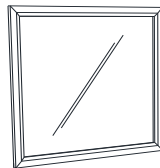


ASSEMBLY TIME

10 MINUTES

PARTS IDENTIFICATION

A MIRROR



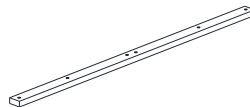
1PC

B DRESSER



1PC

C MIRROR SUPPORT
(PACK WITH MIRROR)



2PCS

HARDWARE IDENTIFICATION

1 FLAT HEAD SCREW
(M4 x 32mm - RBW)



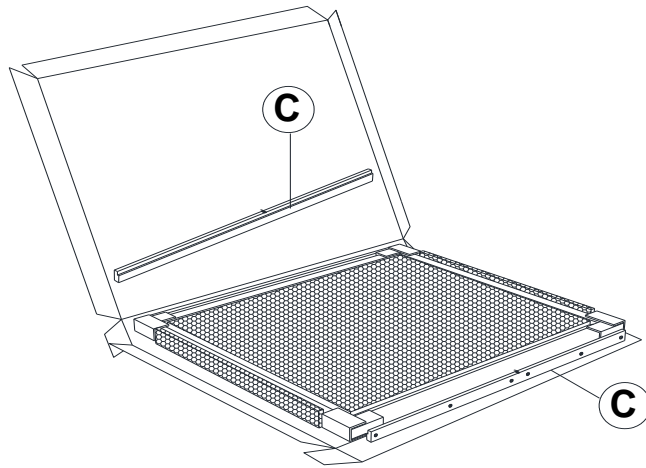
12PCS

NOTE:

Phillips head screw driver is required in the assembly process; however, manufacturer does not provide this item.

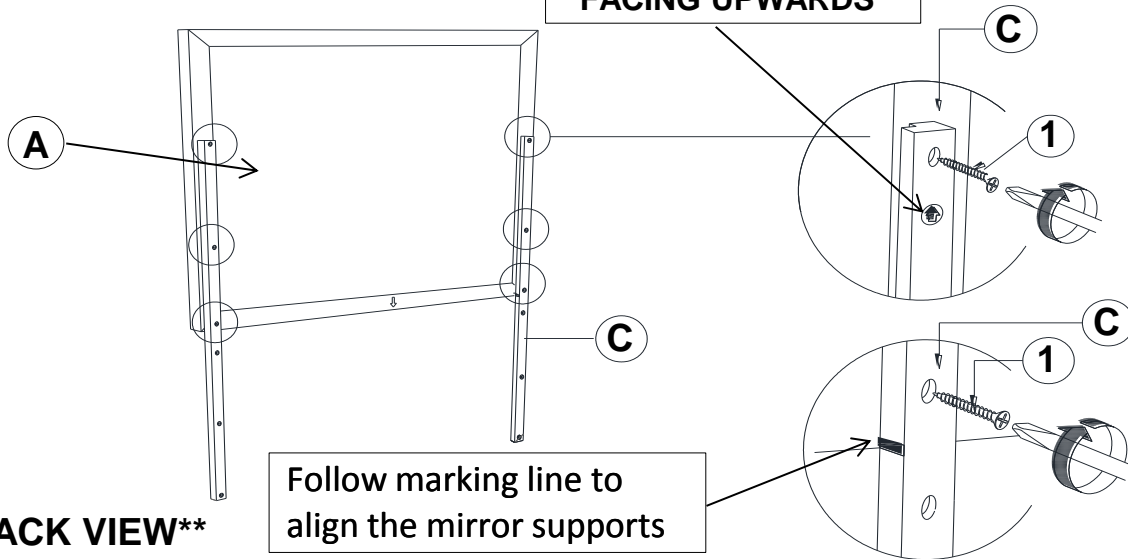
ASSEMBLY INSTRUCTIONS

STEP 1



STEP 2

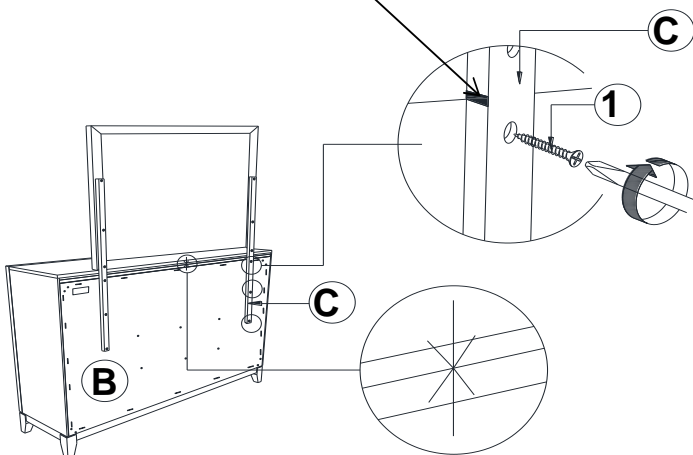
ARROW MARKING
FACING UPWARDS



****BACK VIEW****

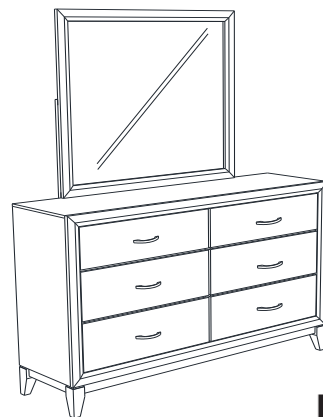
STEP 3

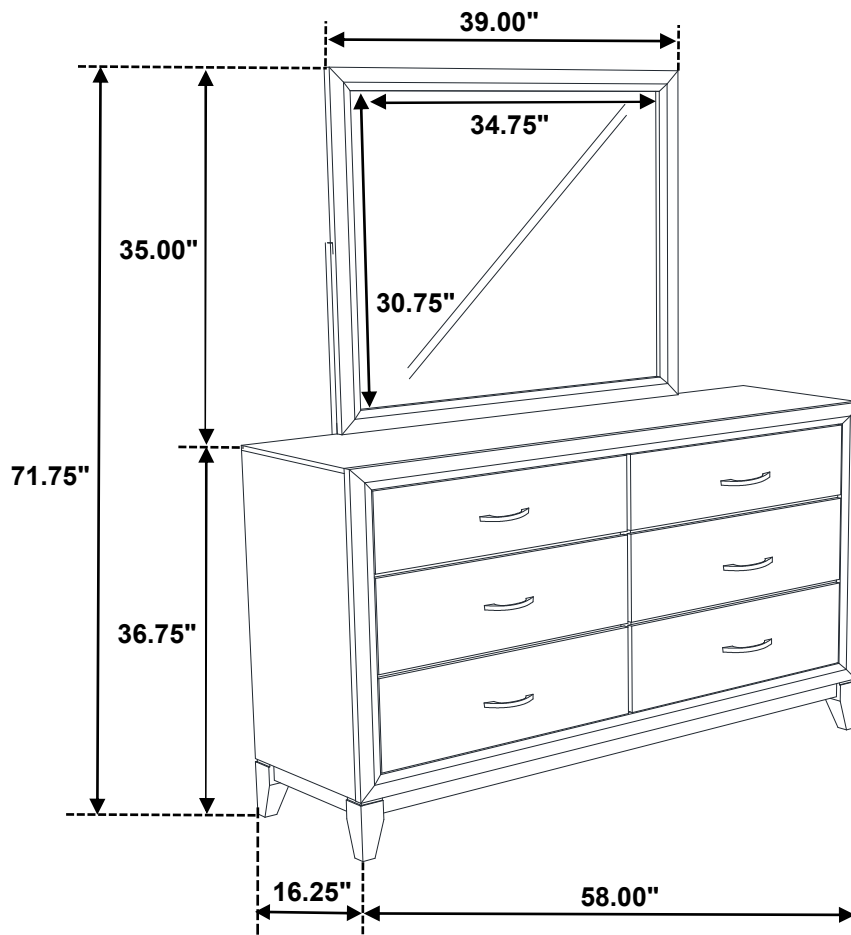
MARKING LINE



REMARK:
ARROW MARKING MUST BE ALIGNED

STEP 4 **COMPLETE**





Note : Dimension tolerance $\pm 5\%$