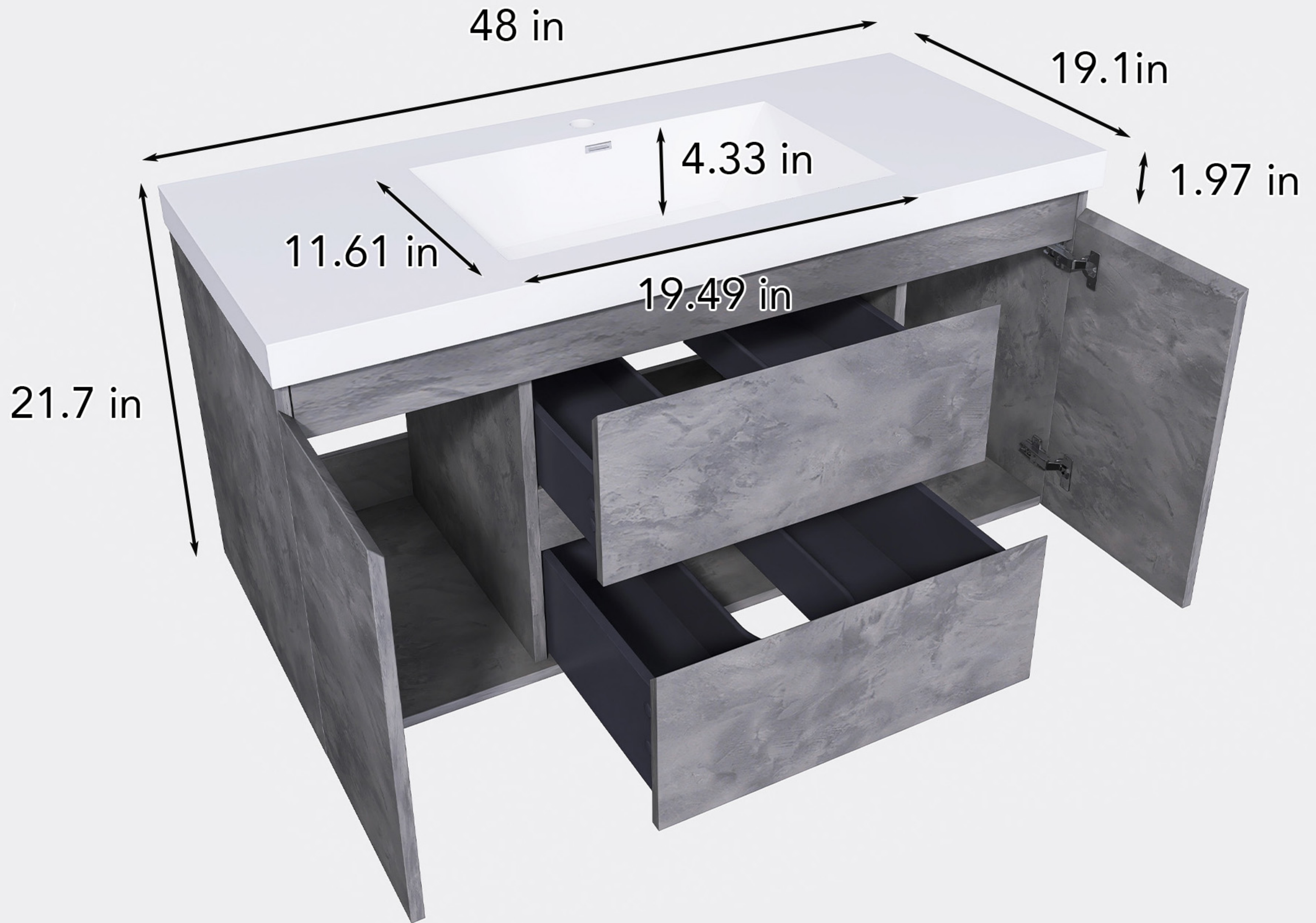


# DIMENSIONS



Unit: inch