

NOTICE

- * Please make sure that you have all parts indicated and they are in good condition before you begin assembly of this item. Refer to part list and hardware list below for guidance.
- * This item should be assembled on a soft surface to prevent scratching the finish during assembly.
- * This item may require periodic tightening.
- * If you are having difficulty, our friendly Customer Care team is always here to help.

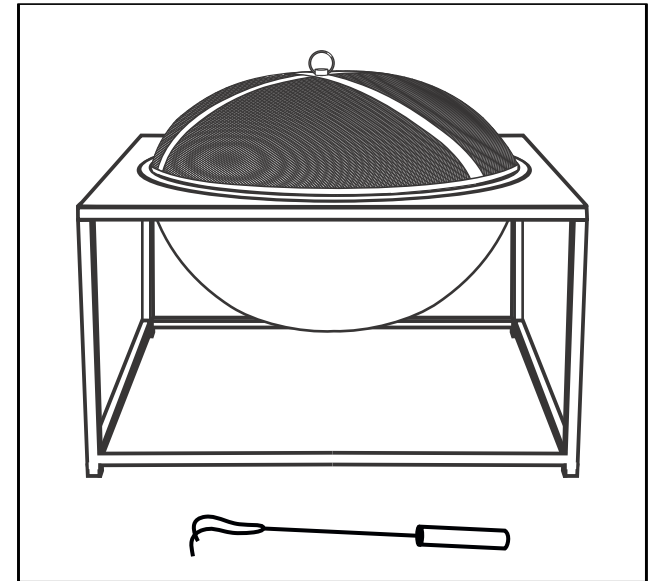
PREPARATION

- * Before beginning assembly of product, make sure all parts are present. Compare parts with part contents list and hardware contents list.
- * If any part is missing or damaged, do not attempt to assemble the product.
- * Estimated Assembly Time: 10 minutes.
- * Tools Required for Assembly (included): Allen Key




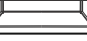

CARE AND MAINTENANCE

- * Once the fireplace is completely cooled down, remove the chimney and fire screen.
- * Pour the ashes from the bowl and rinse with clean water and allow to dry completely.
- * Clean after each use.
- * Do not use a scrub brush.
- * If the paint chips, use only high-temperature paints and a brush to fix.
- * If rust is showing, sand lightly and repaint the area with high-temperature paints.
- * Dry with a soft cloth.
- * Turn the unit upside down when not in use to prevent water from collecting.
- * Cover the unit when not in use to prolong the life.
- * Keep your firepit out of rain.

Product Dimensions : 25.00" x 25.00" x 23.2"



Part List and Hardware List

PIECE	DESCRIPTION	PICTURE	QUANTITY
A	Mesh Cover		1x
B	Grate		1x
C	Pan		1x
D	Base		1x
E	Poker		1x

⚠ WARNING ⚠

WARNING: Do not use charcoal or an artificial log.

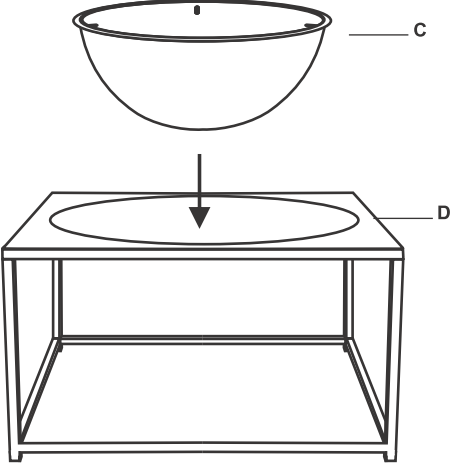
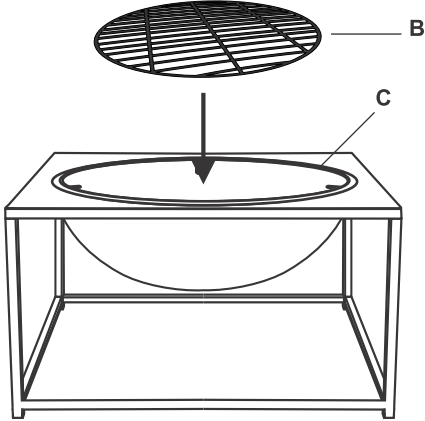
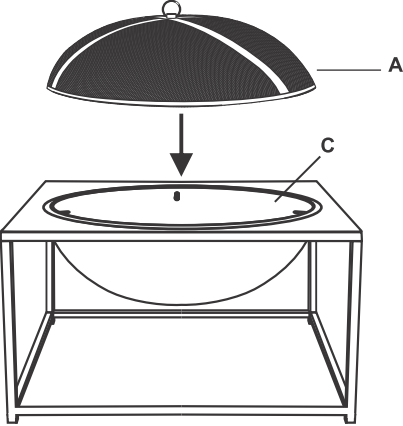
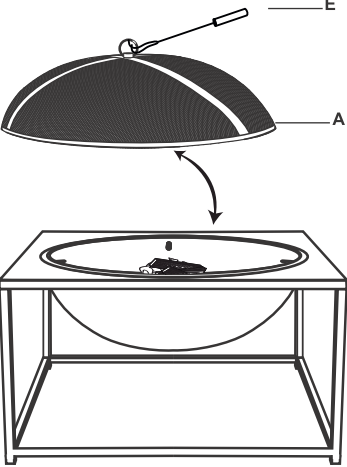
WARNING: Do not use large logs. Do not overload the fire bowl beyond 6 to 8 pounds.

WARNING: Do not use gasoline or kerosene to start a fire.

CAUTION: Keep the fire at a reasonable level as large fires can damage or shorten the life of the unit.

PREPARATION

- * Before beginning assembly of product, make sure all parts are present. Compare parts with part contents list and hardware contents list.
- * If any part is missing or damaged, do not attempt to assemble the product.
- * Estimated Assembly Time: 10 minutes.
- * Tools Required for Assembly (included): Allen Key
- * If you are having difficulty, our friendly Customer Care team is always here to help.

<p>1. Attaching the pan</p> 	<p>2. Attaching the grate</p> 	<p>3. Attaching the mesh cover</p> 	<p>4. Adding wood to existing fire</p> 
<p><input type="checkbox"/> Place the stand (C) upright position on a soft, flat surface and place the pan (B) into the stand (C).</p>	<p><input type="checkbox"/> Place the log grate (B) into the pan (C).</p>	<p><input type="checkbox"/> Carefully place the mesh cover (A) on the pan (C). The fire pit is ready for use.</p>	<p><input type="checkbox"/> Use the poker (E) to lift the handle on the mesh cover (A) and carefully add wood while the fire is burning.</p> <p><input type="checkbox"/> Use the poker (E) to carefully replace the mesh cover (A) back onto the pan (C).</p>