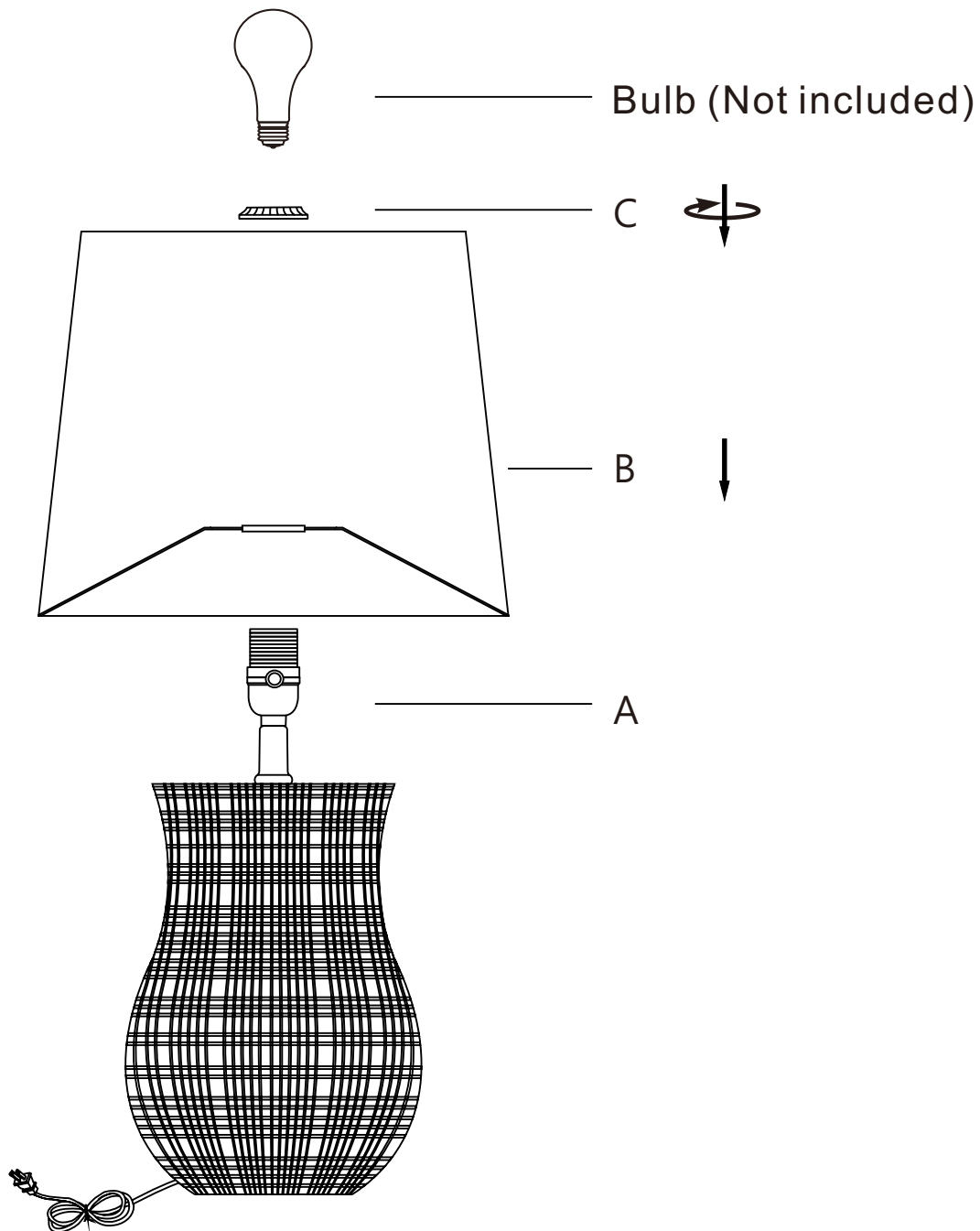


# ASSEMBLY AND INSTALLATION INSTRUCTIONS

Thank you for purchasing this Cattleya interior portable luminaire.

This portable lamp has a polarized plug (one blade is wider than the other) as a feature to reduce the risk of electric shock. This plug will fit in a polarized outlet only one way. If the plug does not fit fully in the outlet, reverse the plug. If it still does not fit, contact a qualified electrician. Never use with an extension cord unless the plug can be fully inserted. Do not alter the plug.

CONTACT US    E-mail: [techsupport@cattleyalighting.com](mailto:techsupport@cattleyalighting.com)



NO TOOL REQUIRED FOR ASSEMBLY