

BED ASSEMBLY INSTRUCTIONS

IMPORTANT:

READ THESE INSTRUCTIONS CAREFULLY BEFORE ASSEMBLING OR USING YOUR BED FRAME.

WARNING:

If this bed is placed on a non-carpeted floor you must place some protection under all legs to stop the bed frame from moving. If this is not adhered to there is no guarantee for the frame. Do not over tighten the bolts and screws.

PLEASE KEEP THESE INSTRUCTIONS FOR FUTURE REFERENCE

HEALTH & SAFETY:

DO NOT jump on this bed frame.

DO NOT use this bed frame if any parts are missing, damaged or worn.

DO NOT use this bed frame unless all fixings are secured.

Please keep small parts out of reach of children.

Always use on a level, even surface.

CARE & MAINTENANCE:

Assemble in the room of use.

Periodically check all screws & fixings to ensure they are secure.

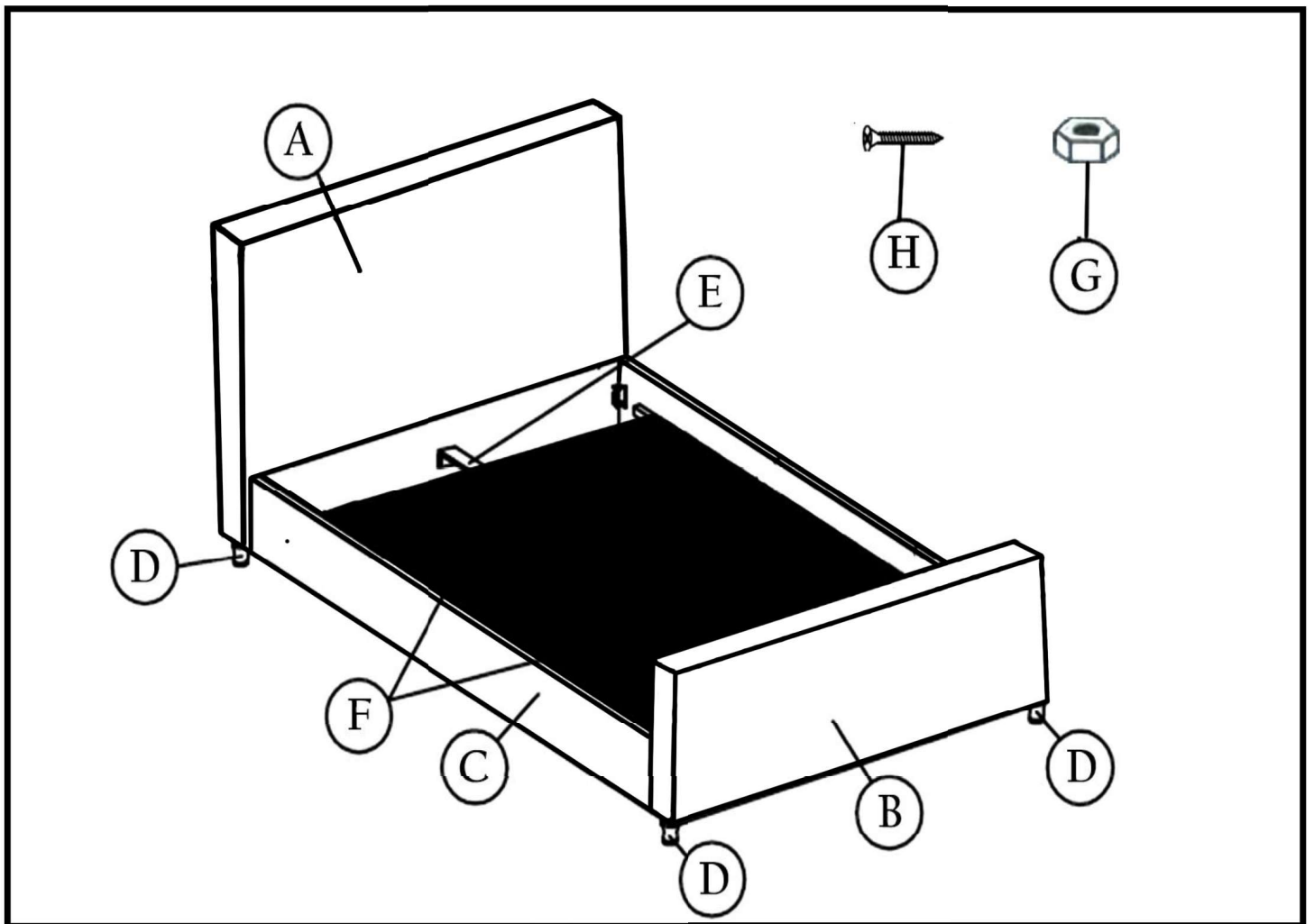
DO NOT push the bed frame as this will damage the legs.

Always lift the bed with two people to reposition.

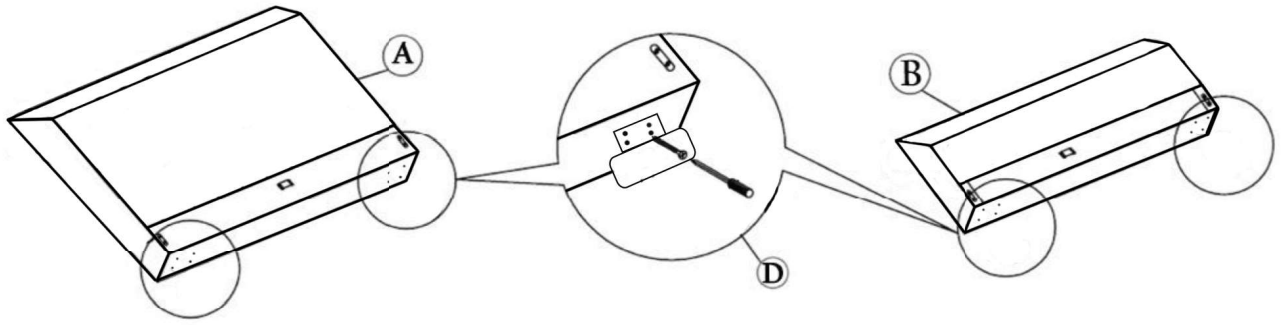
Keep any sharp objects away from the frame.

PARTS:

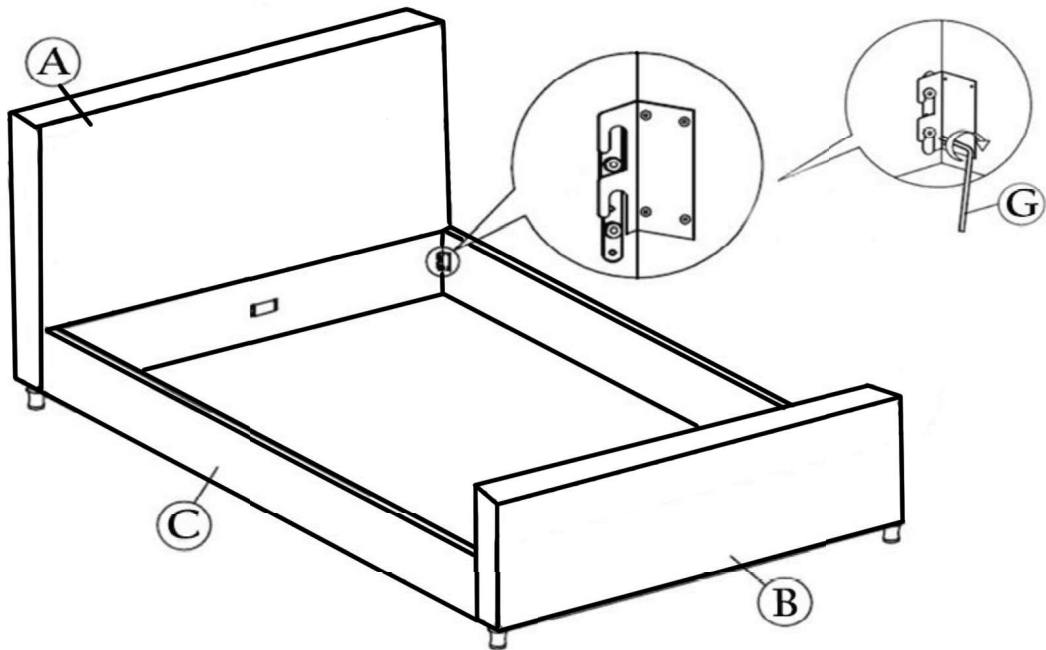
Numbers	Description	Quantity
A	Head Board	1
B	Foot End	1
C	Side Rails	2
D	Feet	4
E	Support Bar	1
F	Base Boards	2
G	Nuts	8
H	Screws	2



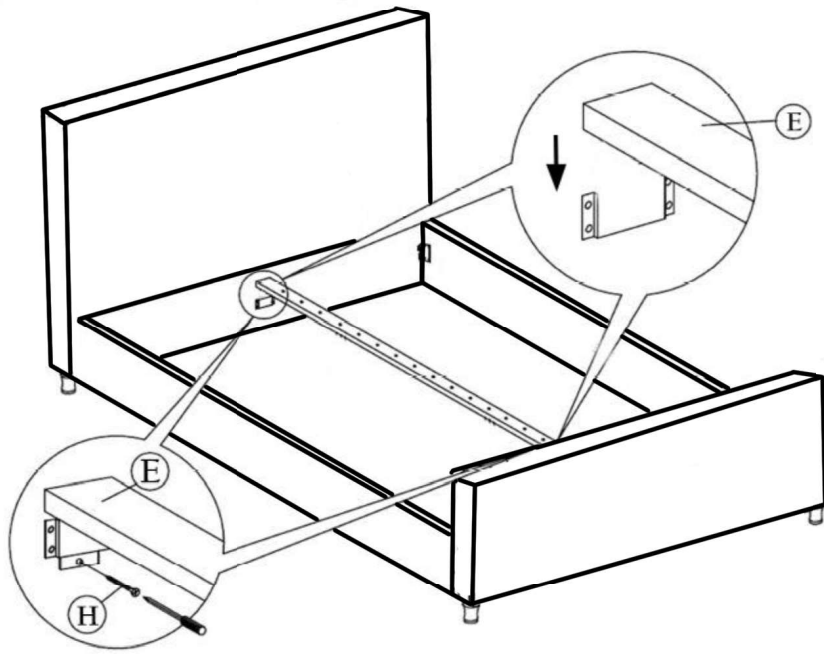
STEP 1



STEP 2



STEP 3



STEP 4

