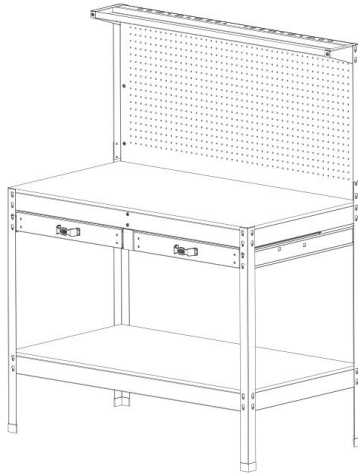


WORKBENCH WITH PEGBOARD



This is the original instruction, please read all manual instructions carefully before operating. Reserves a clear interpretation of our user manual. The appearance of the product shall be subject to the product you received. Please forgive us that we won't inform you again if there are any technology or software updates on our product.

SAFE INSTRUCTIONS

⚠ WARNING : Please read this user manual carefully!

Assembly Precautions

1. Assemble only according to these instructions. Improper assembly can create hazards.
2. Wear ANSI-approved safety goggles and heavy-duty work gloves during assembly.
3. Keep assembly area clean and well lit.
4. Keep bystanders out of the area during assembly.
5. Do not assemble when tired or when under the influence of alcohol, drugs or medication.
6. Weight capacity and other product capabilities apply to properly and completely assembled product only.
7. Assemble on a flat, level, hard and smooth surface capable of safely supporting a fully loaded workbench.

Use Precautions

1. Do not attach or mount this product to a vehicle. This may cause personal injury or product damage.
2. Do not stand or step on this product. You may fall which may cause personal injury.
3. Keep the product on level surfaces. The product may become unstable and tip if stored or moved on an unlevel surface, which may cause personal injury or product damage.
4. Lock the drawers before moving this product. The drawers could come open and make the product unstable and tip, which may cause personal or product damage.
5. Keep children and bystanders away while loading, unloading and moving the product.
6. Do not lift the product directly with a forklift or tow with any mechanical

devices.

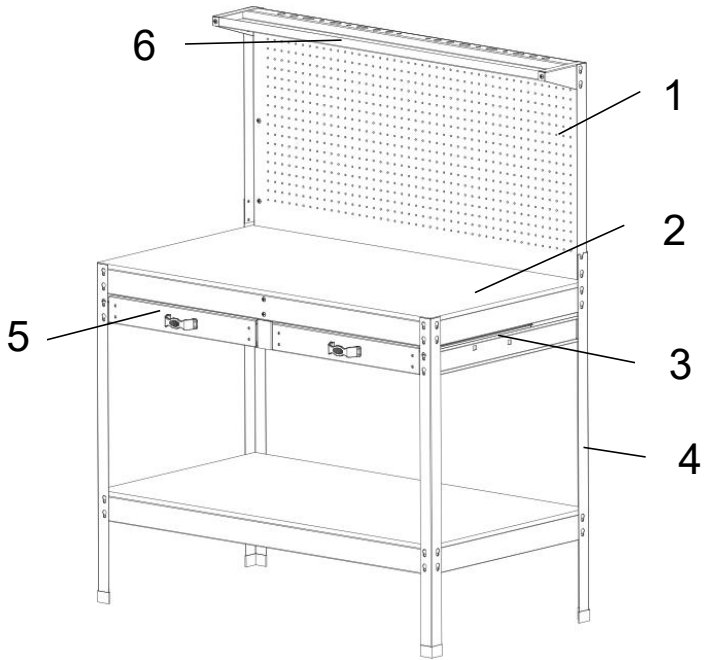
7. Do not exceed the maximum load capacity,including contents.Do not exceed the maximum load capacity of each drawer.Do not exceed the maximum load capacity of each tray.
8. Do not alter this product in any manner.
9. The box contains some small components; please place them properly before installation to keep them away from kids and ensure safety.
10. Before installing the socket, the desktop should be cleaned to ensure that there are no stains on the desktop. In particular, attention should be paid to not bringing water into the socket so as to avoid safety problems during subsequent use.

CAUTION: Carefully read instructions and procedures for safe operations.
SAVE THESE INSTRUCTIONS

PRODUCT INTRODUCTION


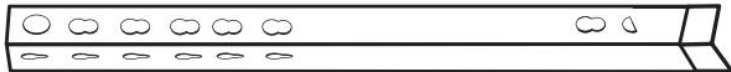
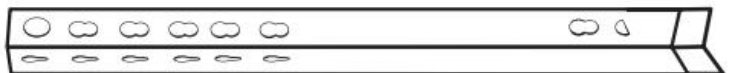
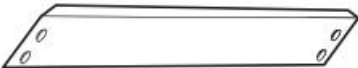



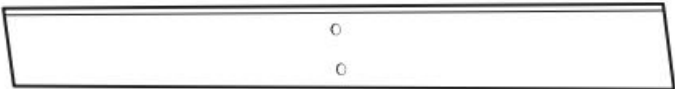
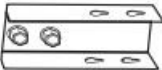

SPEC.	Model	JL-WB05-3
Maximum Load Capacity		220lbs
Desktop Size		120*59.5cm
Material		MDF, Metal
Product Dimensions		120*60W*150cm
Rating(s)		120V~ 60Hz Max.1500W(Power Strip) with 14W LED Light
Pegboard		118.5*59cm






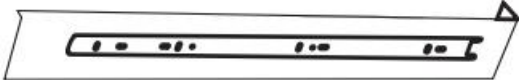


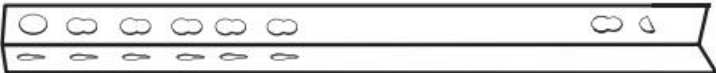


STRUCTURE DIAGRAM



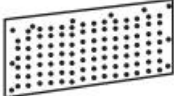

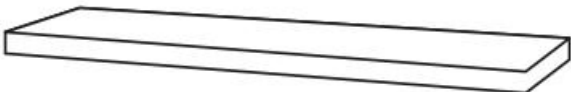








1. Pegboard 2. Desktop 3. Power strip 4. Leg 5. Drawer
6. LED Light

COMPONENTS

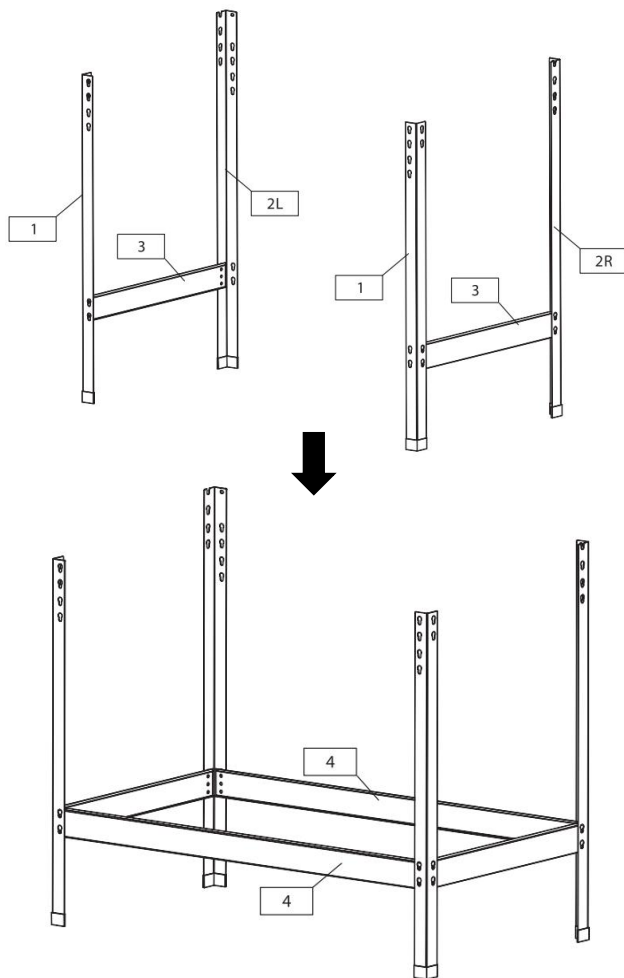
Name	Component	Quantity
1		2
2L		1
2R		1
3		3
3 (1)		1
4		2
5		1
6		2
7		2
8L		1

8R		1
9L		1
9R		1
10		2
11		2
12L		2
12R		2
13L		1
13R		1
14L		1
14R		1

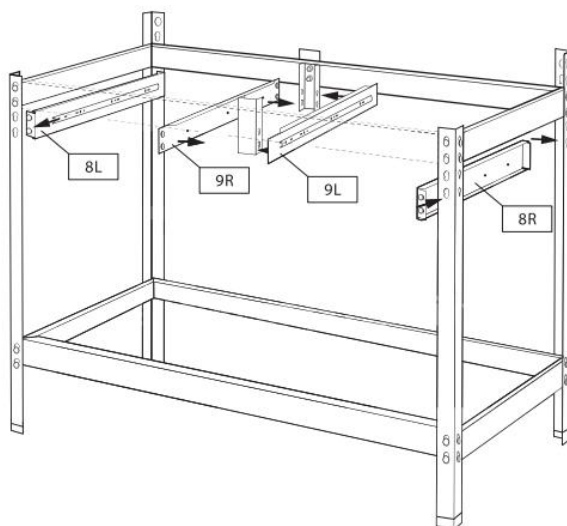
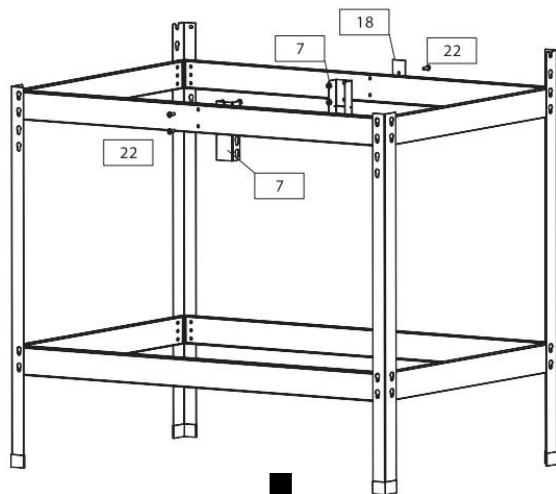
15		1
16		1
17		1
18		1
19		2
20		2
21		16
22		28
23		30
24		1
25		1

INSTALLATION INSTRUCTION

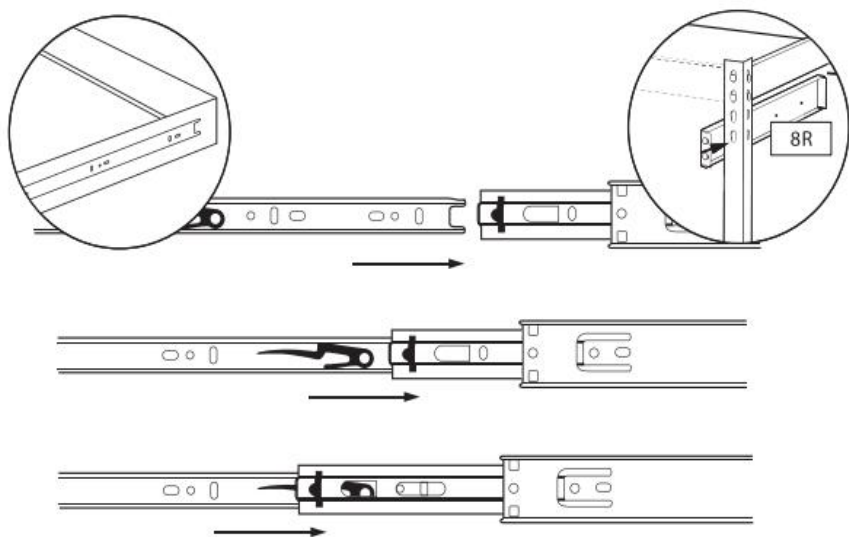
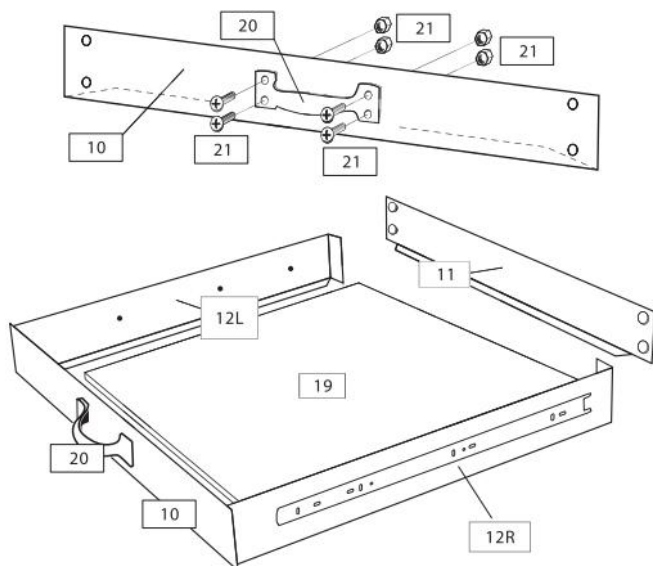
STEP 1: Install the lower workbench support.



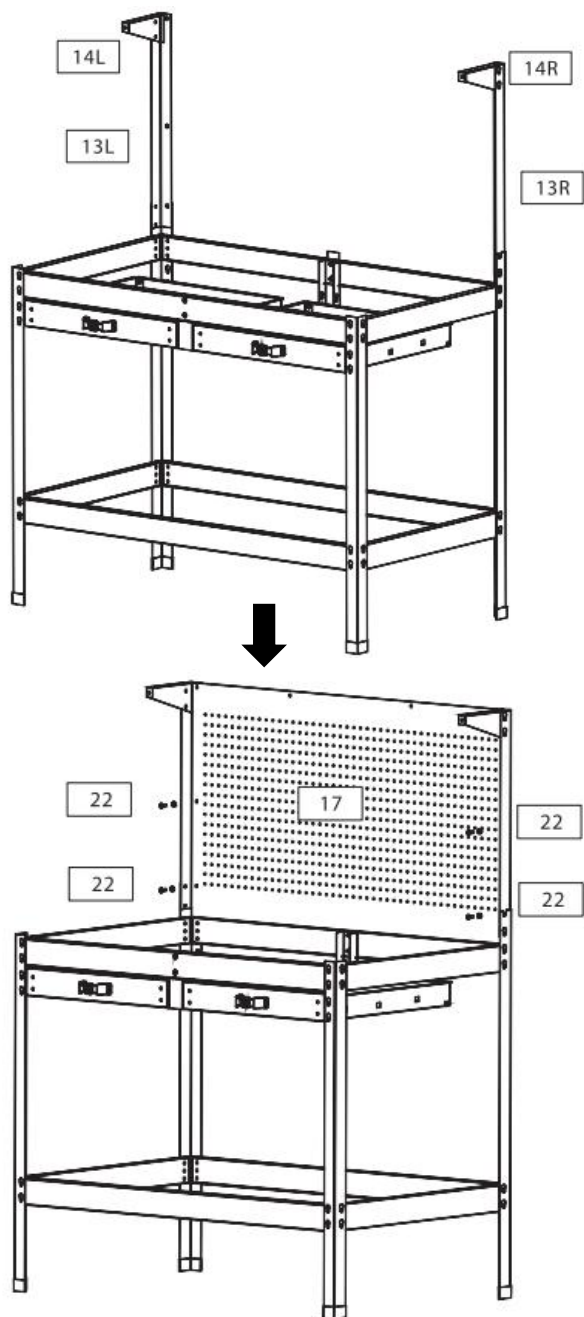
STEP 2: Install the upper workbench support.



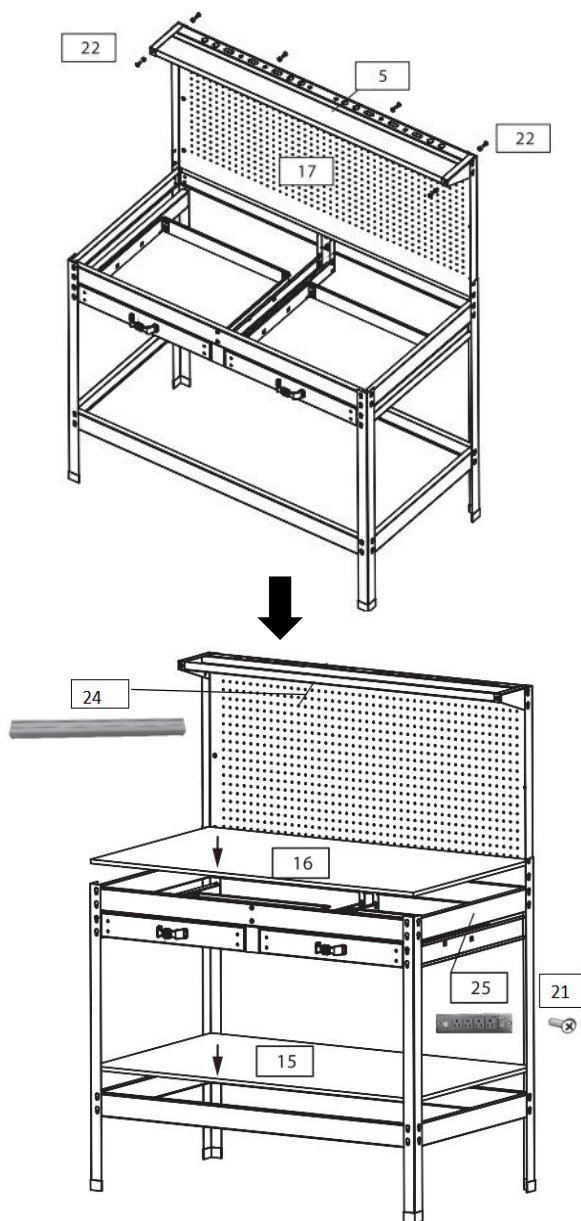
STEP 3: Assemble drawer and install drawer guide.



STEP 4: Install pegboard and supports.



STEP 5: Install roof and cover the upper and lower desktop. Install power strip and LED light.



MAINTENANCE

1. Please try to avoid putting wet items on desktop.
2. Dust off regularly with a clean rag, and arrange items neatly on desktop.
3. Don't let it sit in the sun for too long.
4. Check the table regularly to prevent screws from loosening and falling off.