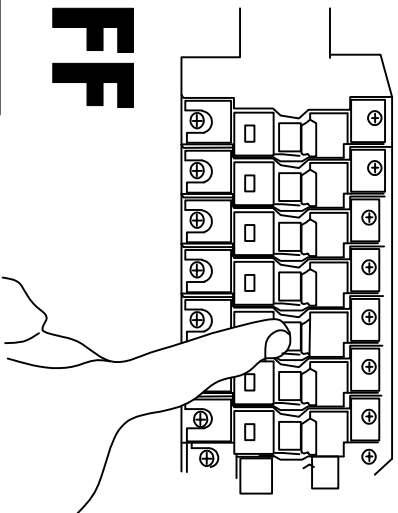


# Installation steps

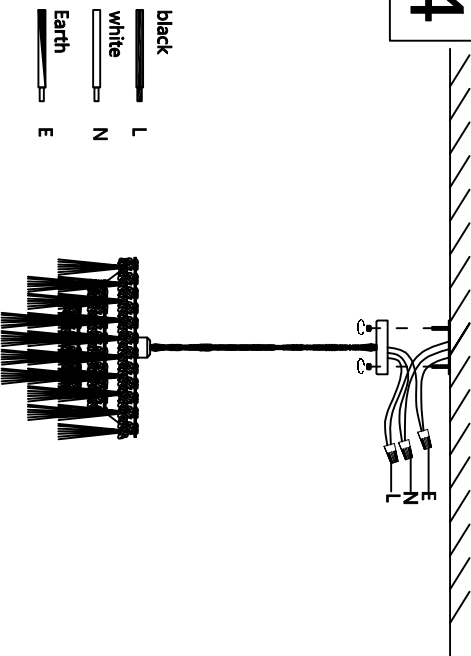
1



Step 1

Power off

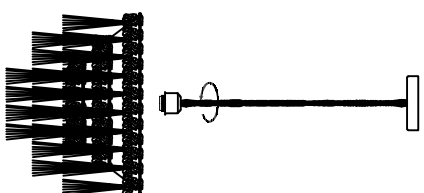
4



Step 4

1. Use wire caps to connect the wires from the lamp to the junction box, connect Black to Black, White to White and Ground to Ground (usually green or bare copper)  
2. Fix the lamp body on the ceiling with nuts

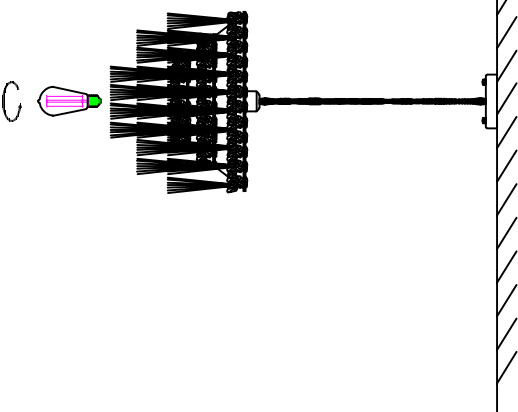
2



Step 2

Fix the lamp cap on the top of the lamp shade

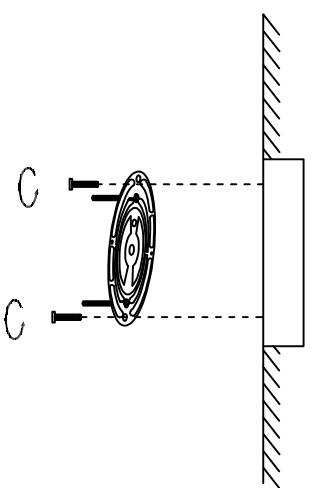
5



Step 5

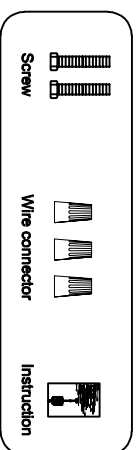
Screw on the bulb and complete the assembly, power on.

3



Step 3

Install the mounting bracket to the ceiling



Before installation, please check whether the accessories are complete. If you have any problem, please contact our customer service in time.

## Note:

1. Voltage: 110V-130V
2. Bulb Type: E26 / MAX-12W (LED bulbs only)
3. Before installation, please cut off the power supply to prevent electric shock.
4. Please be sure the installation step according to the company's instructions.