

ASSEMBLY INSTRUCTIONS








DESCRIPTION: COUNTER HEIGHT TABLE

Read instruction carefully prior to assembly .

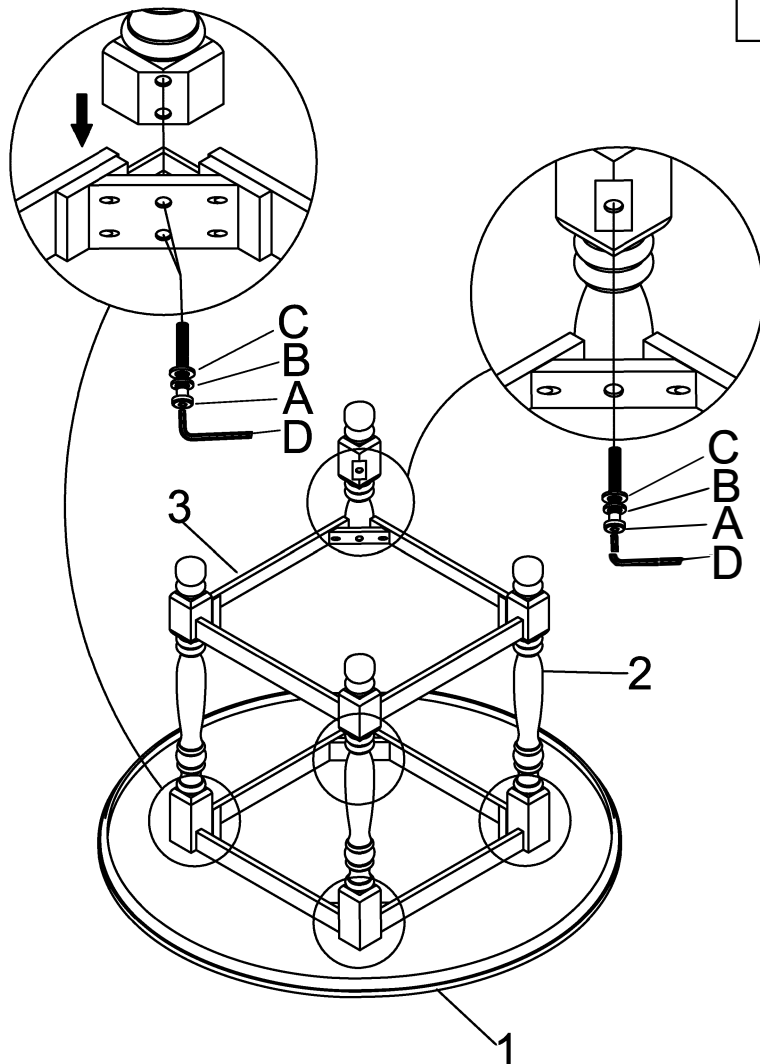
Thank you for purchasing this quality product. Check carefully for small parts which may have come loose during shipment.

Remove all components from pack and place table top upside down on soft surface such as carpet or cloth to prevent scratching the finish. Identify and count all parts as specified below.

Do not tighten bolts until assembly is complete

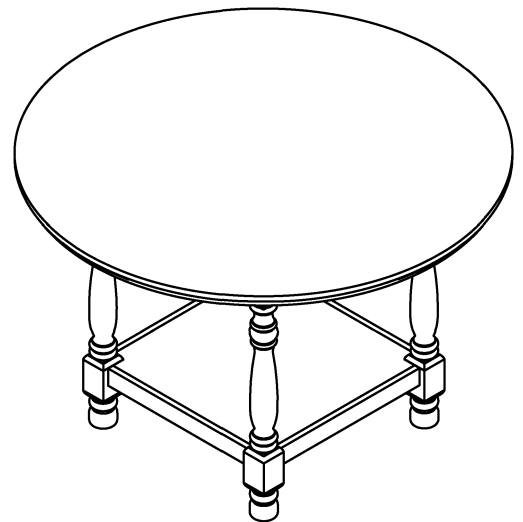
NO.	HARDWARE PACK	Q' TY	NO.	PARTS LIST	Q' TY
A	 ALLEN BOLT ($\phi 5/16'' * 60\text{mmL}$)	12PCS	1	 TABLE TOP	1PC
B	 LOCK WASHER ($\phi 5/16''$)	12PCS			
C	 FLAT WASHER ($\phi 5/16 * 19\text{mm}''$)	12PCS			
D	 ALLEN KEY (4MM)	1PC	2	 LEAF	1PC
			3	 LEG	4PCS

STEP: 1



DO NOT TIGHTEN BOLTS UNTIL COMPLETELY ASSEMBLED.

STEP: 2



Assembly Completed