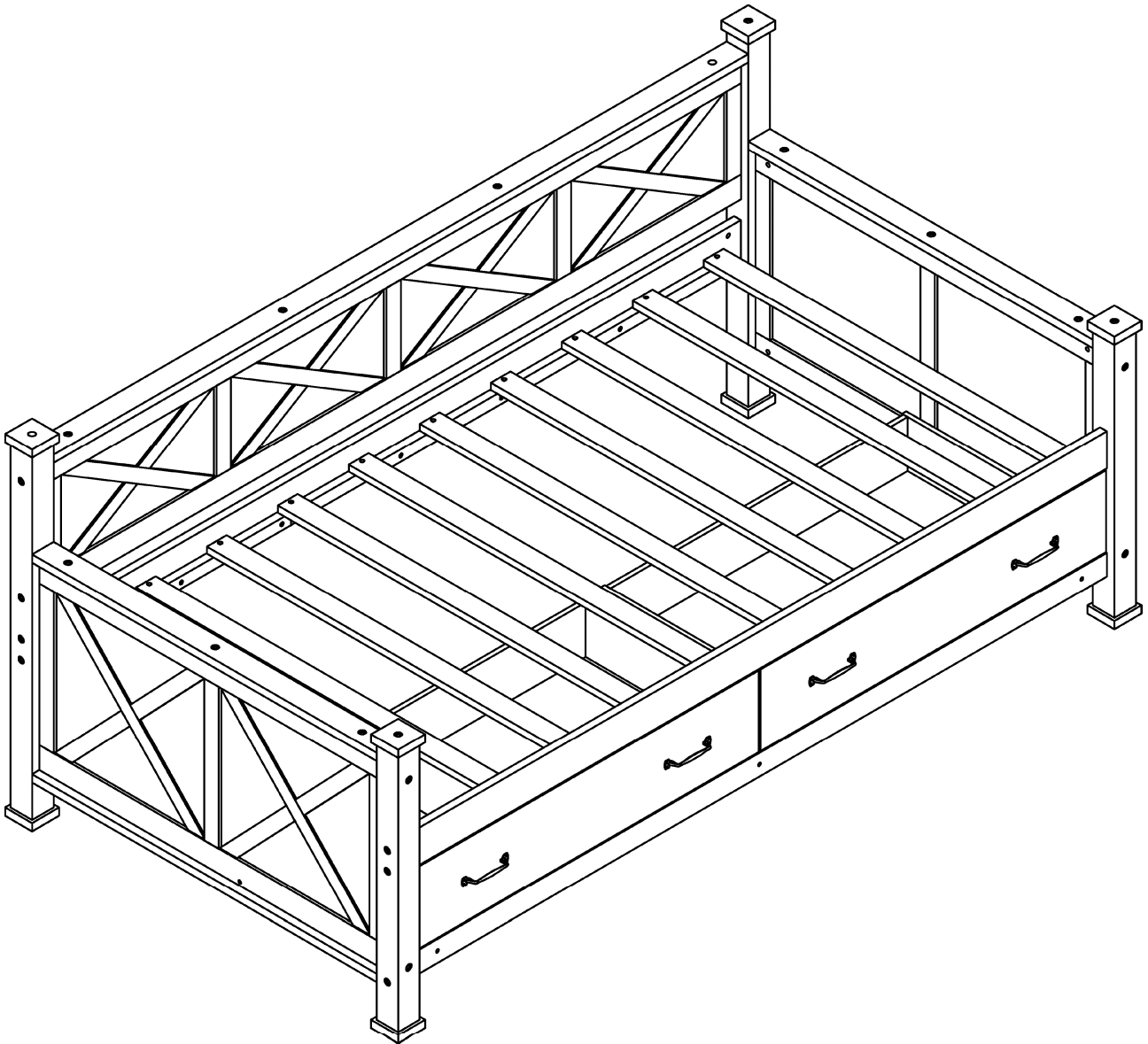
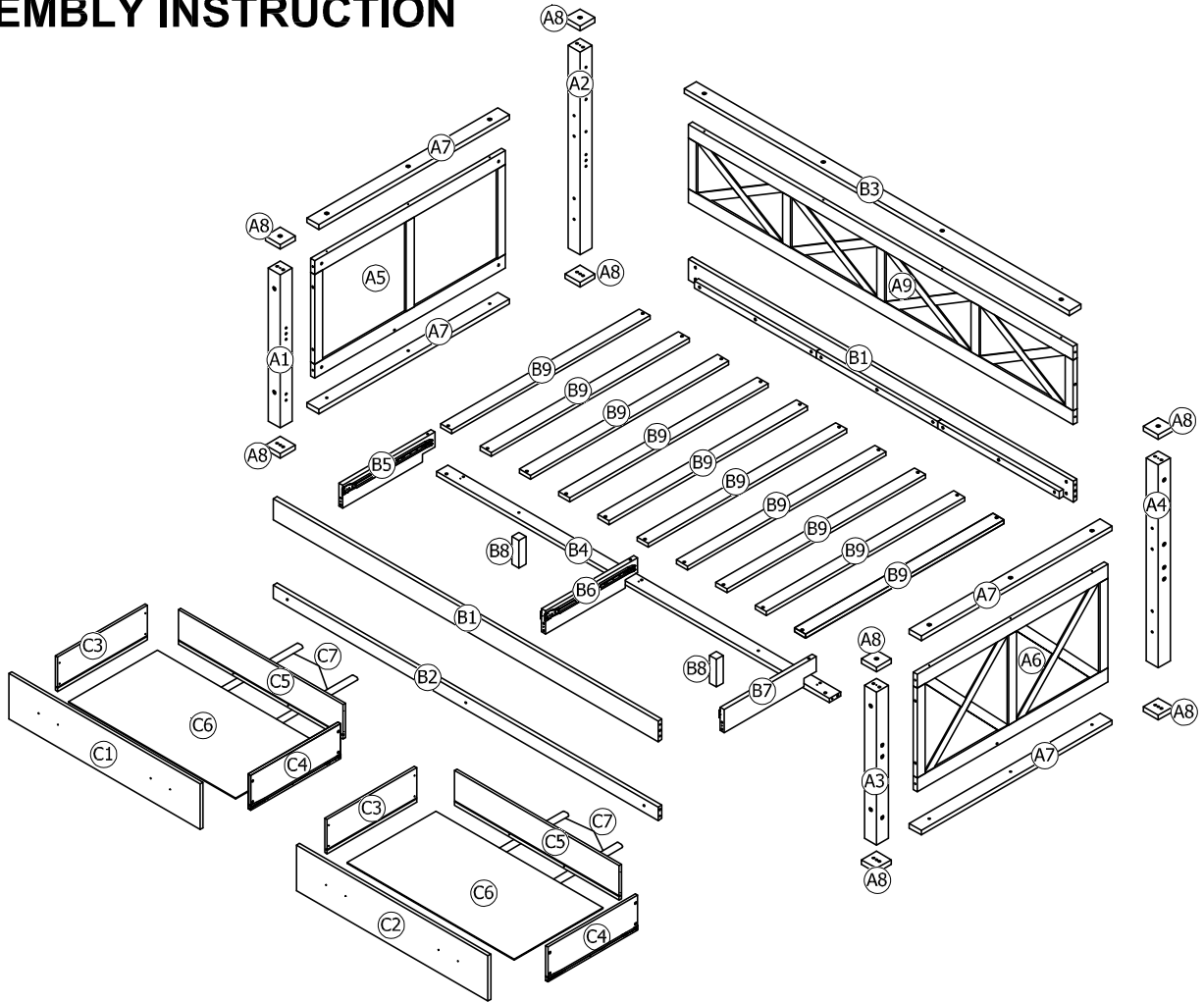


ASSEMBLY INSTRUCTION



ASSEMBLY INSTRUCTION



Part List (Box 1)

A2

Leg-1pc



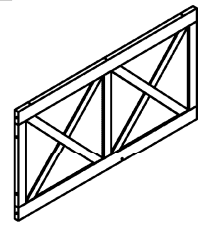
A4

Leg-1pc



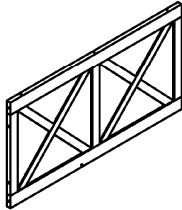
A5

Frames-1pc



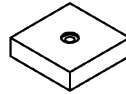
A6

Frames-1pc



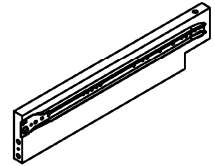
A8

WoodBar-8pcs



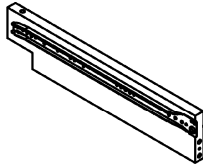
B5

WoodBar-1pc



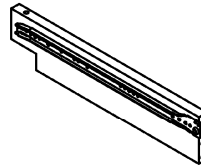
B6

WoodBar-1pc



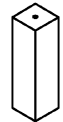
B7

WoodBar-1pc



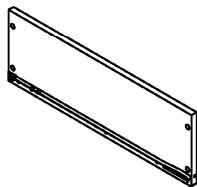
B8

WoodBar-2pcs



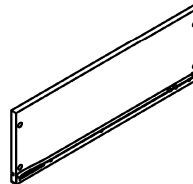
C3

Side Drawers-2pcs



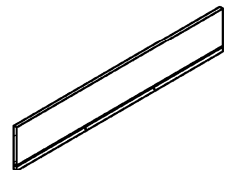
C4

Side Drawers-2pcs



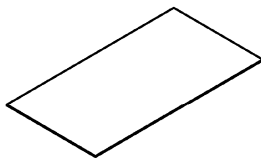
C5

Back Drawers-2pcs



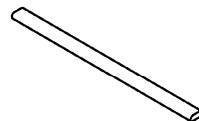
C6

Bottom Drawers-2pcs



C7

Support Drawers-4pcs



Part List & Hardware List (Box 2)

A1



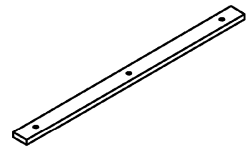
Leg-1pc

A3



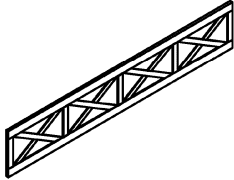
Leg-1pc

A7



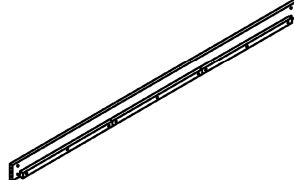
WoodBar-4pcs

A9



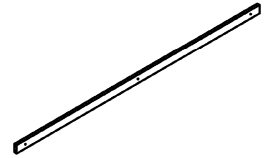
Frames-1pc

B1



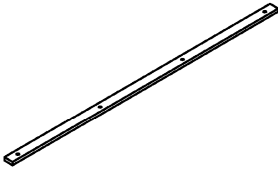
Side Rail-2pcs

B2



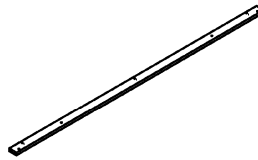
WoodBar-1pc

B3



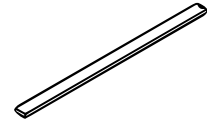
WoodBar-1pc

B4



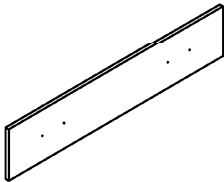
WoodBar-1pc

B9



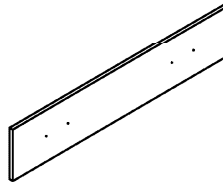
Slats-10pcs

C1



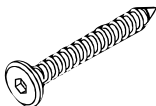
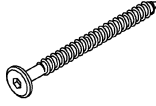
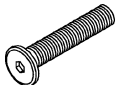



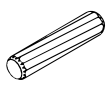
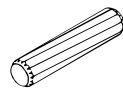


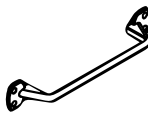

Front Drawers-1pc

C2



Front Drawers-1pc

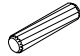
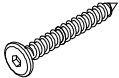
Hardware List (Box 2)

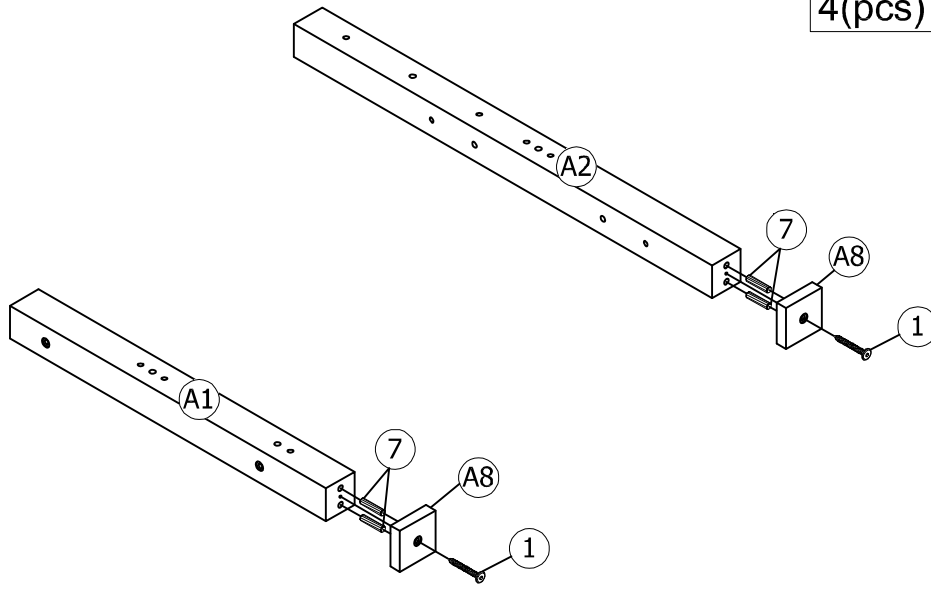
<p>1</p>  <p>Screws 1/4" x40 27pcs</p>	<p>2</p>  <p>Screws 1/4" x70 3pcs</p>	<p>3</p>  <p>Ø1/4" x 30 mm Hex-Head bolts 2pcs</p>
<p>4</p>  <p>Ø1/4" x 70 mm Hex-Head bolts 2pcs</p>	<p>5</p>  <p>Ø1/4" x 100 mm Hex-Head bolts 22pcs</p>	<p>6</p>  <p>Ø1/4" x 13 mm Horizontal-Hole bolts 24pcs</p>
<p>7</p>  <p>Ø8 x 30 mm Wood dowel 36pcs</p>	<p>8</p>  <p>Ø10 x 40 mm Wood dowel 16pcs</p>	<p>9</p>  <p>M4 x 30 mm Wood Screws 40pcs</p>
<p>10</p>  <p>M4 x 15 mm Wood Screws 8pcs</p>	<p>11</p>  <p>4pcs</p>	<p>12</p>  <p>Allen Key 1pc</p>



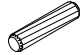
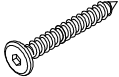
Assembly Tools Required (Not Included)

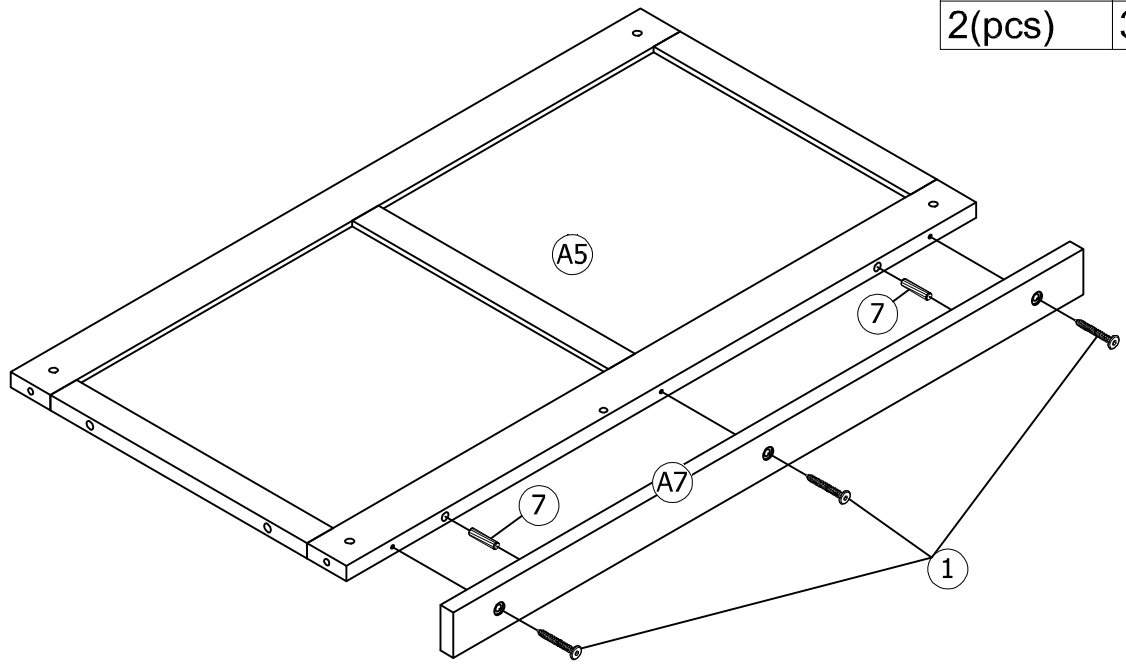
STEP1: Following below illustration.

7	1
	
4(pcs)	2(pcs)

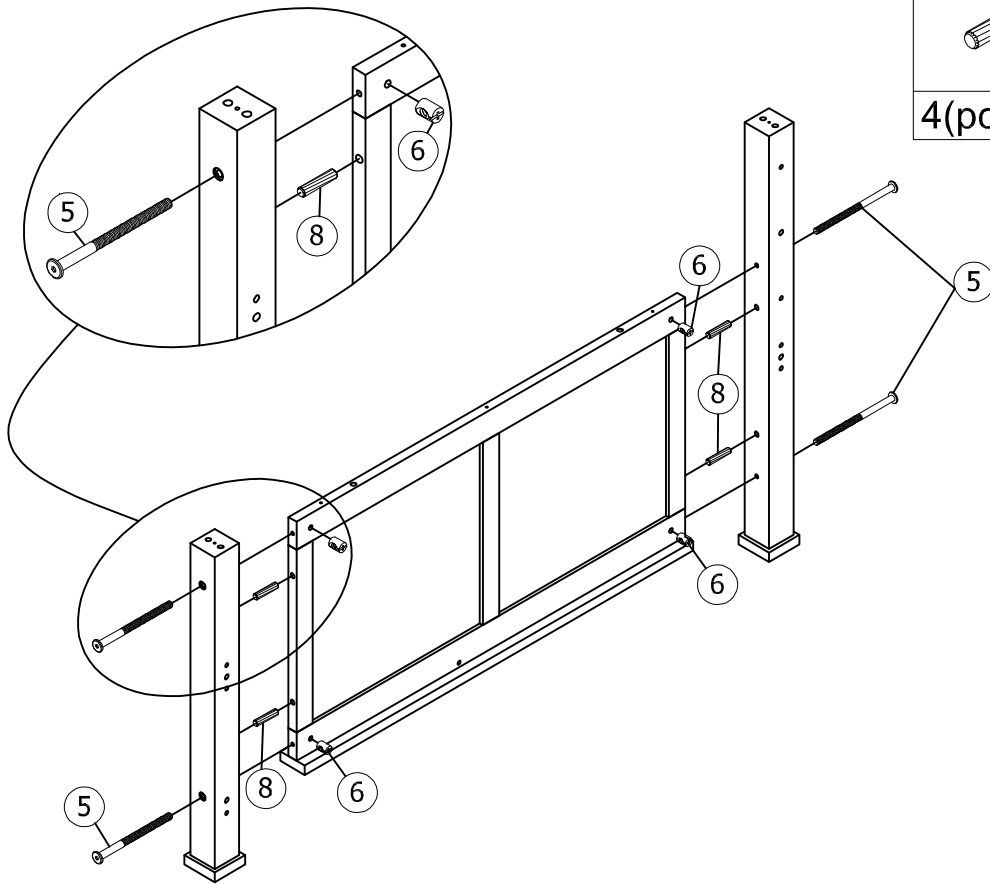


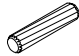
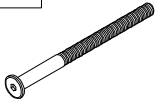

STEP2: Following below illustration.

7	1
	
2(pcs)	3(pcs)

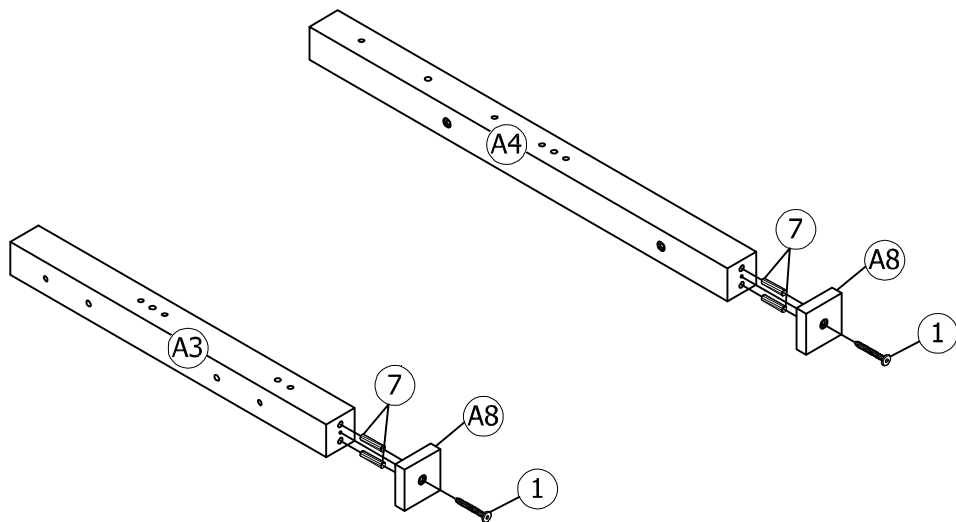


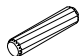
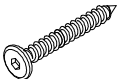
STEP3: Following below illustration.



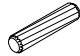
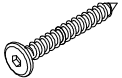
8	5
	
4(pcs)	4(pcs)
6	
	4(pcs)

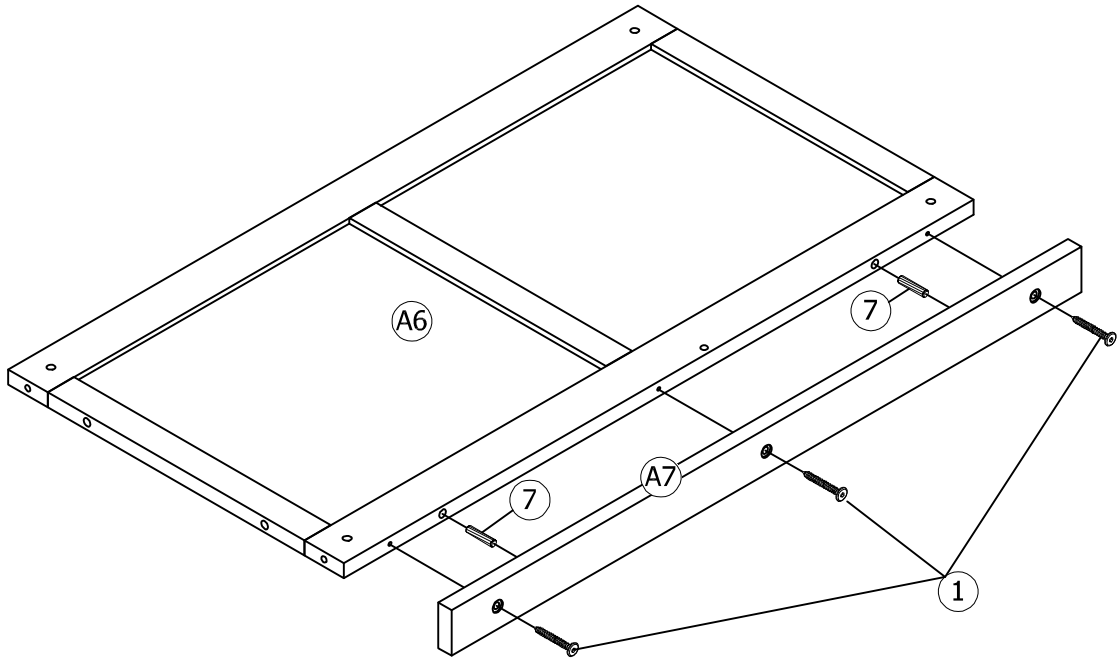
STEP4: Following below illustration.



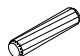
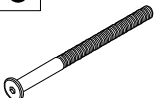

7	1
	
4(pcs)	2(pcs)

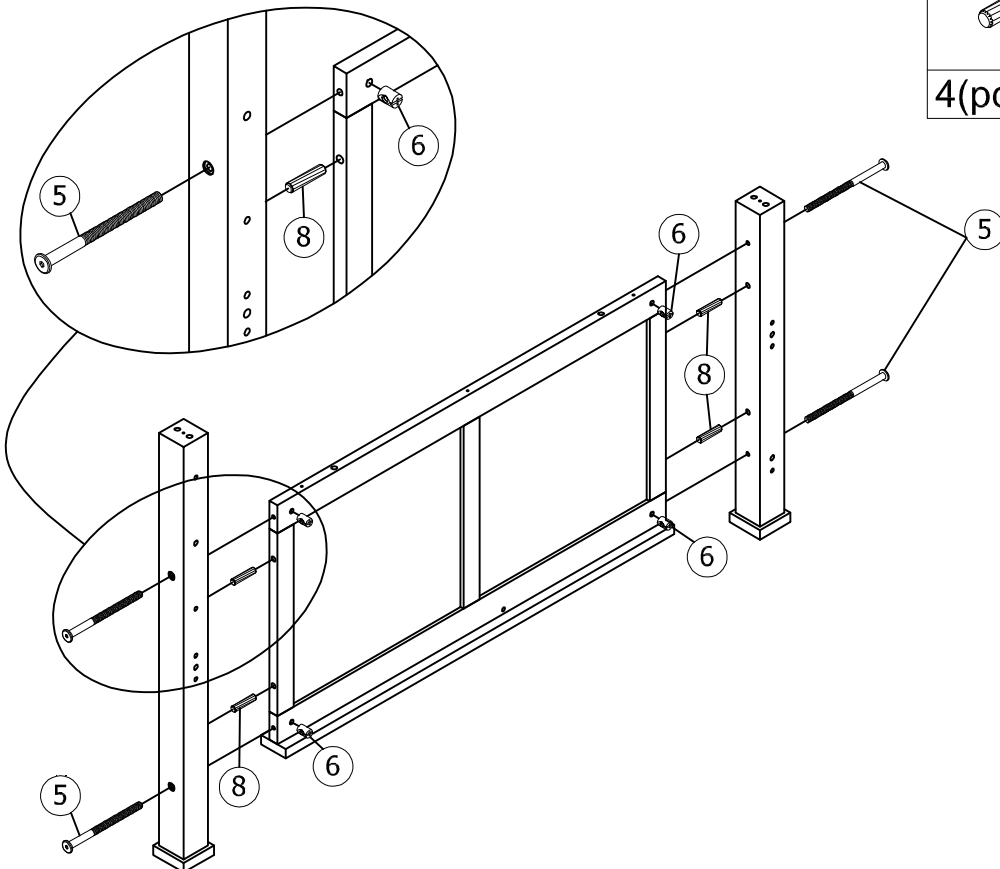
STEP5: Following below illustration.

7	1
	
2(pcs)	3(pcs)

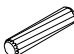

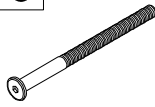


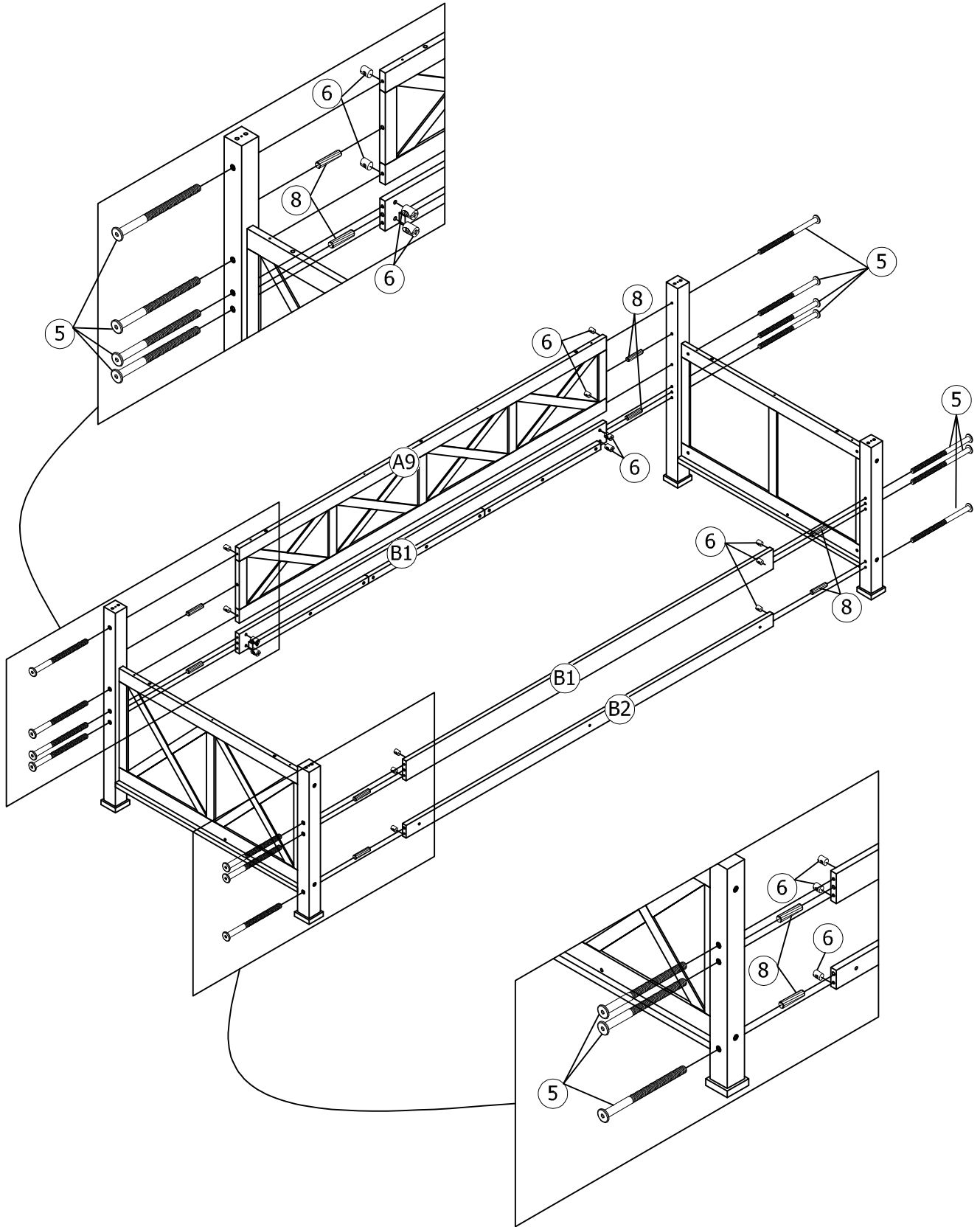
STEP6: Following below illustration.

8	5
	
4(pcs)	4(pcs)
	6
	
	4(pcs)





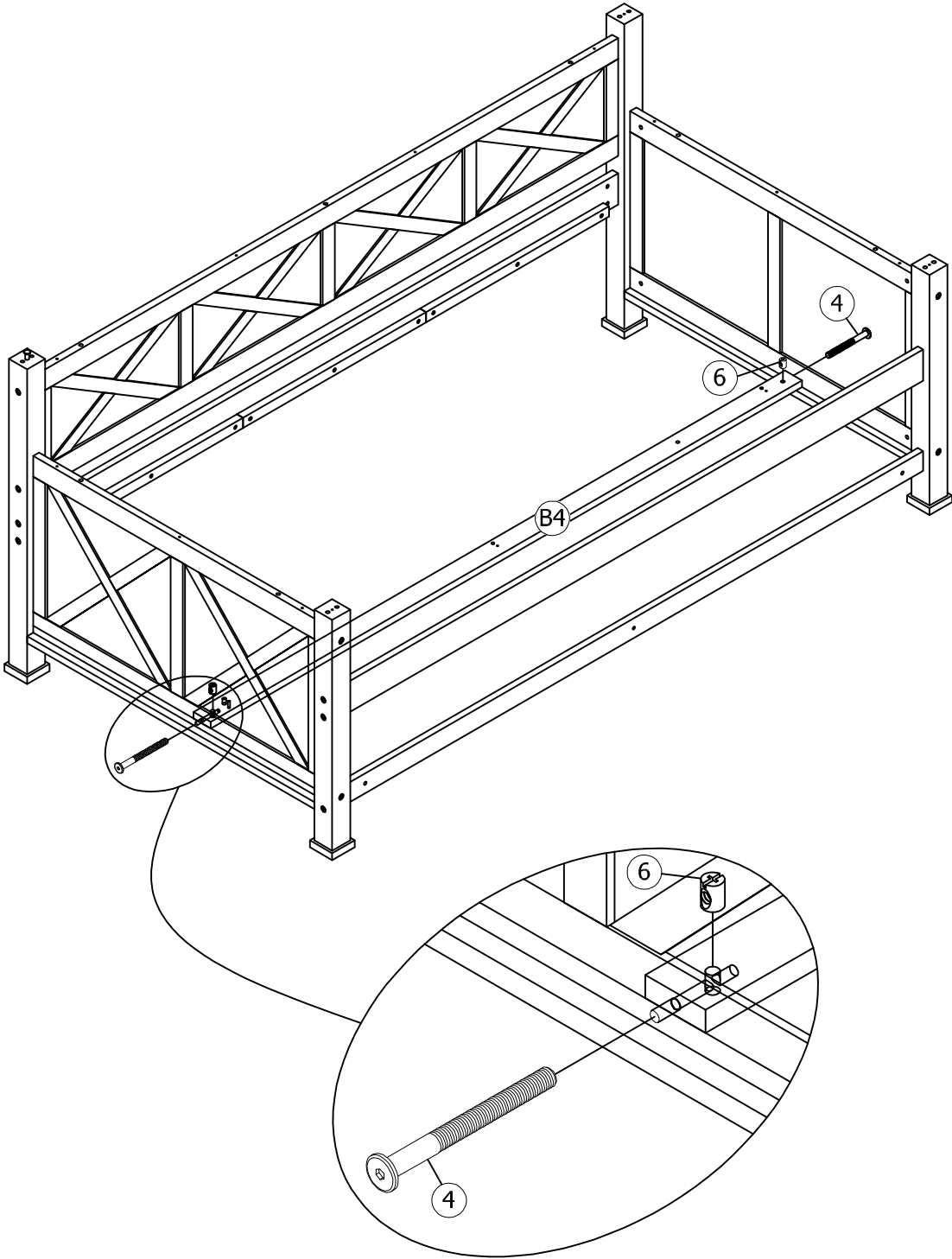
STEP7: Following below illustration.

8	6	5
		
8(pcs)	14(pcs)	14(pcs)

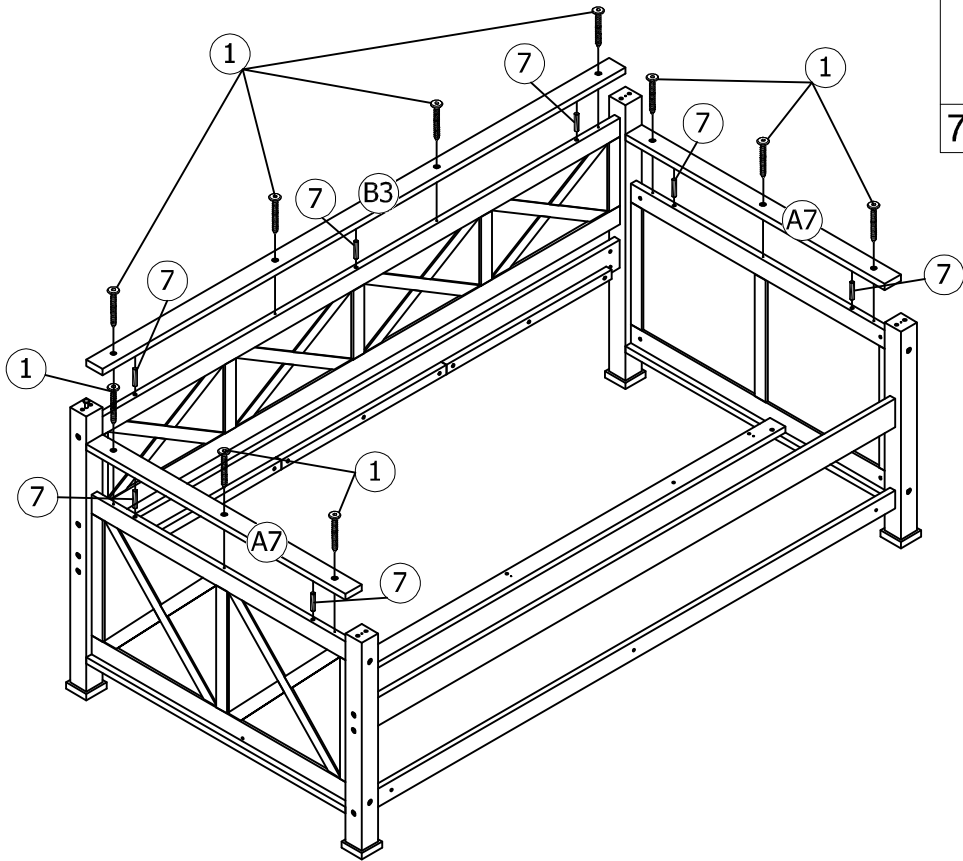


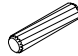
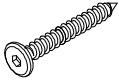
STEP8: Following below illustration.

6		4	
2(pcs)		2(pcs)	

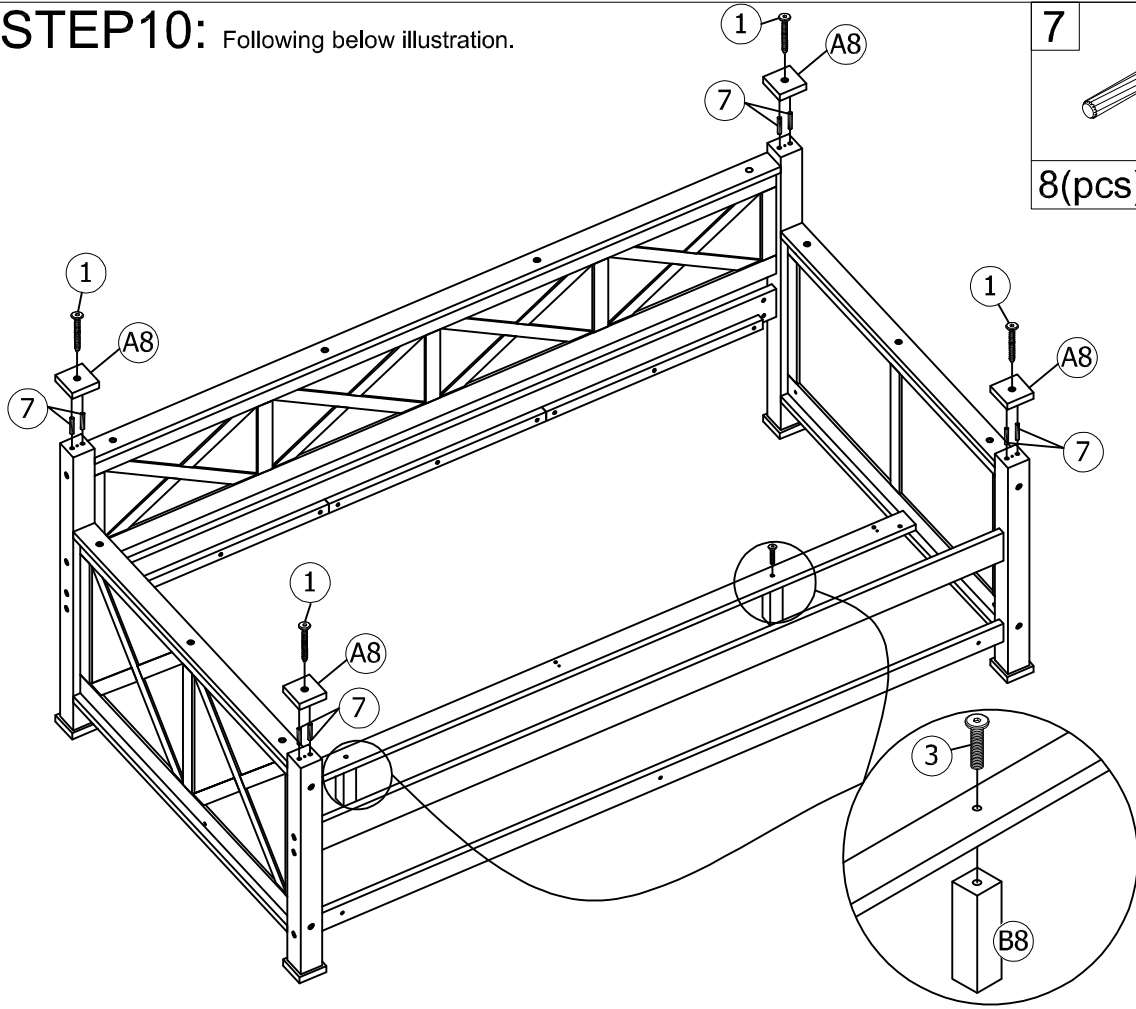


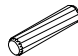
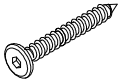

STEP9: Following below illustration.



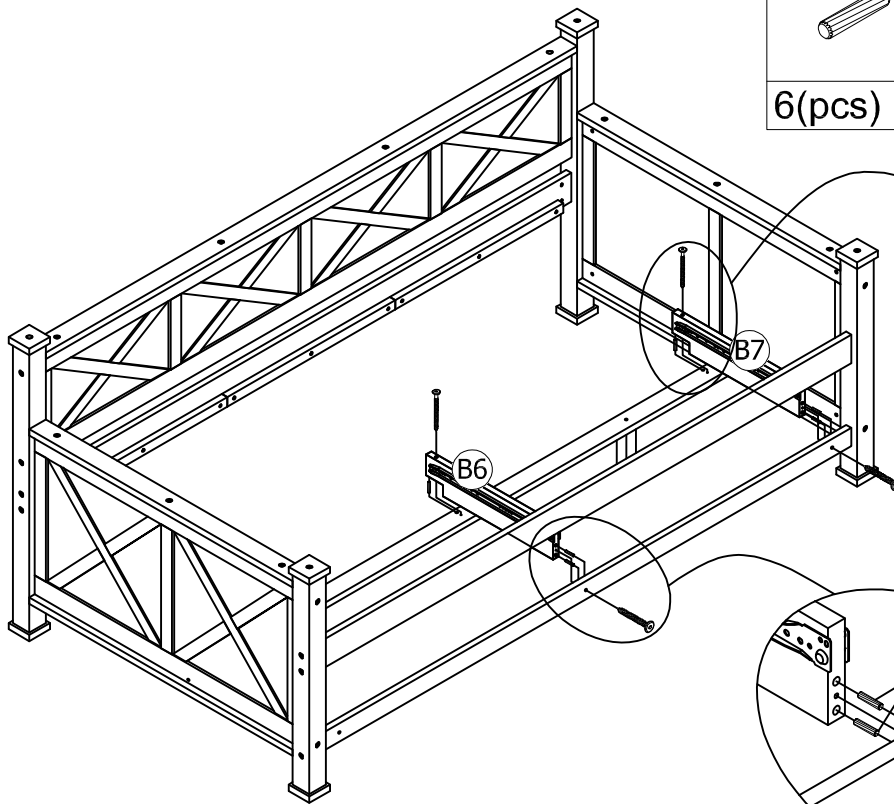
7	1
	
7(pcs)	10(pcs)

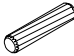

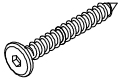
STEP10: Following below illustration.

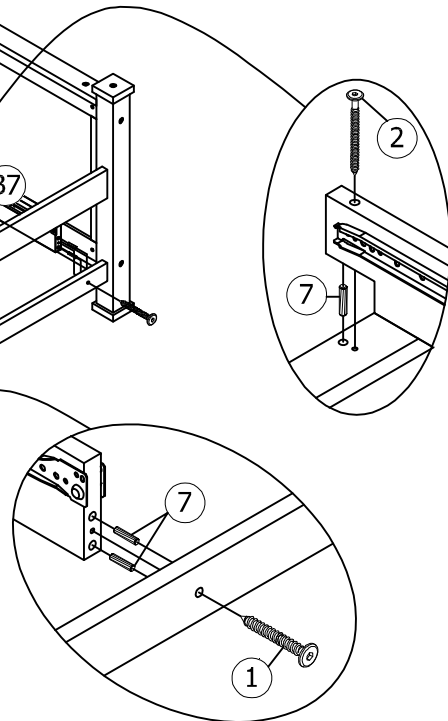


7	1
	
8(pcs)	4(pcs)
	3
	
	2(pcs)

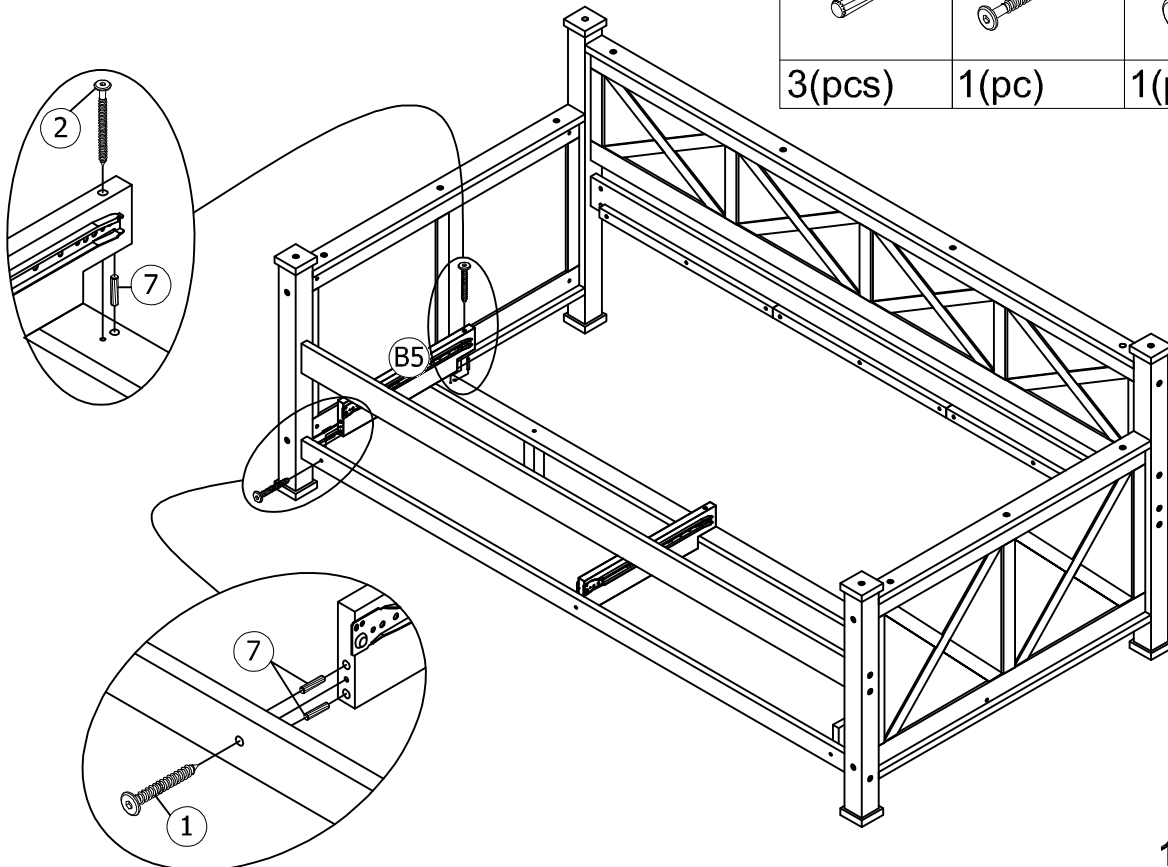
STEP 11: Following below illustration.

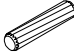

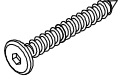


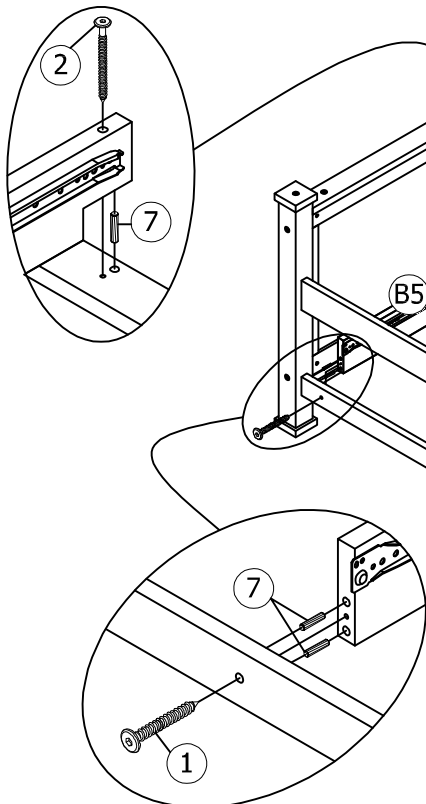
7	2	1
		
6(pcs)	2(pcs)	2(pcs)



STEP 12: Following below illustration.



7	2	1
		
3(pcs)	1(pc)	1(pc)

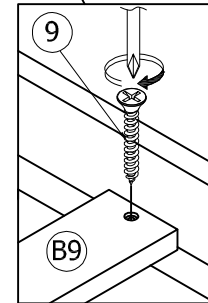
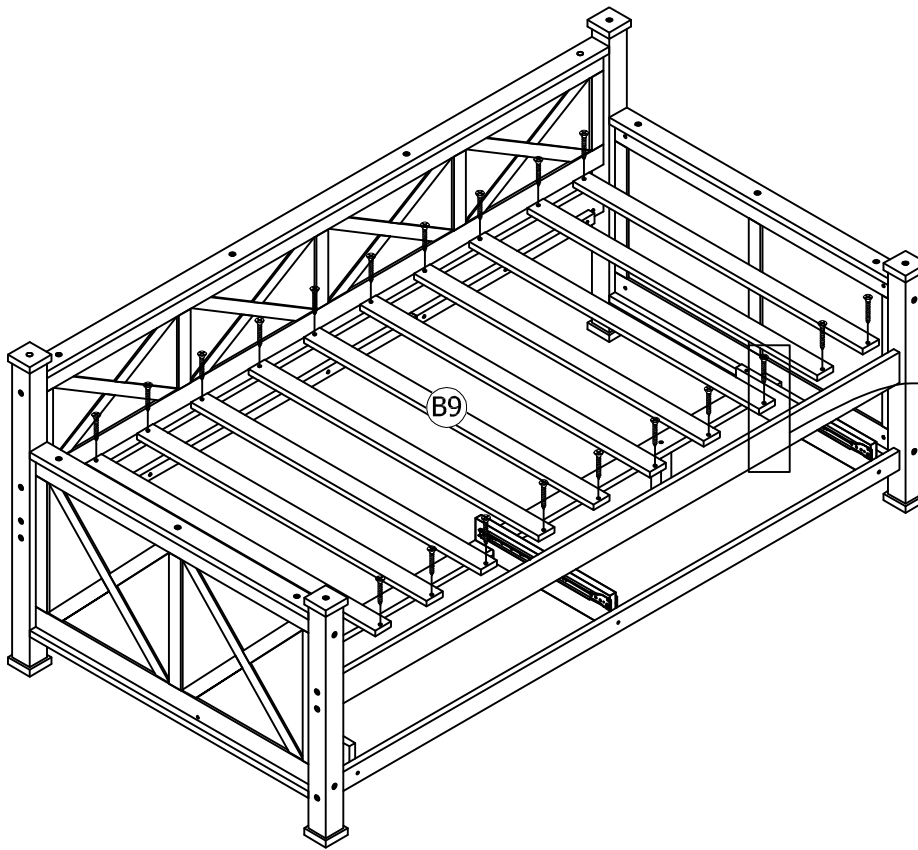


STEP13: Following below illustration.

9



20(pcs)

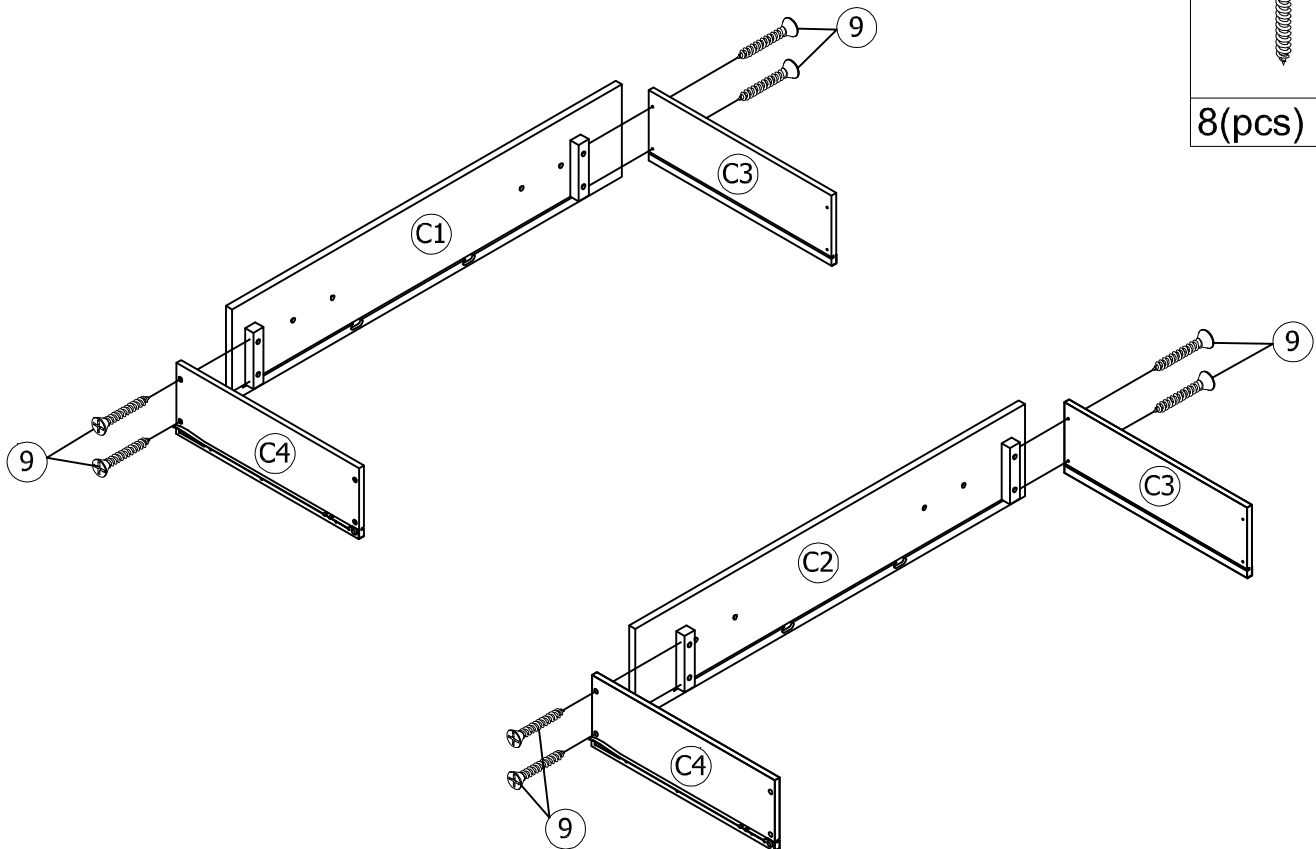


STEP14: Following below illustration.

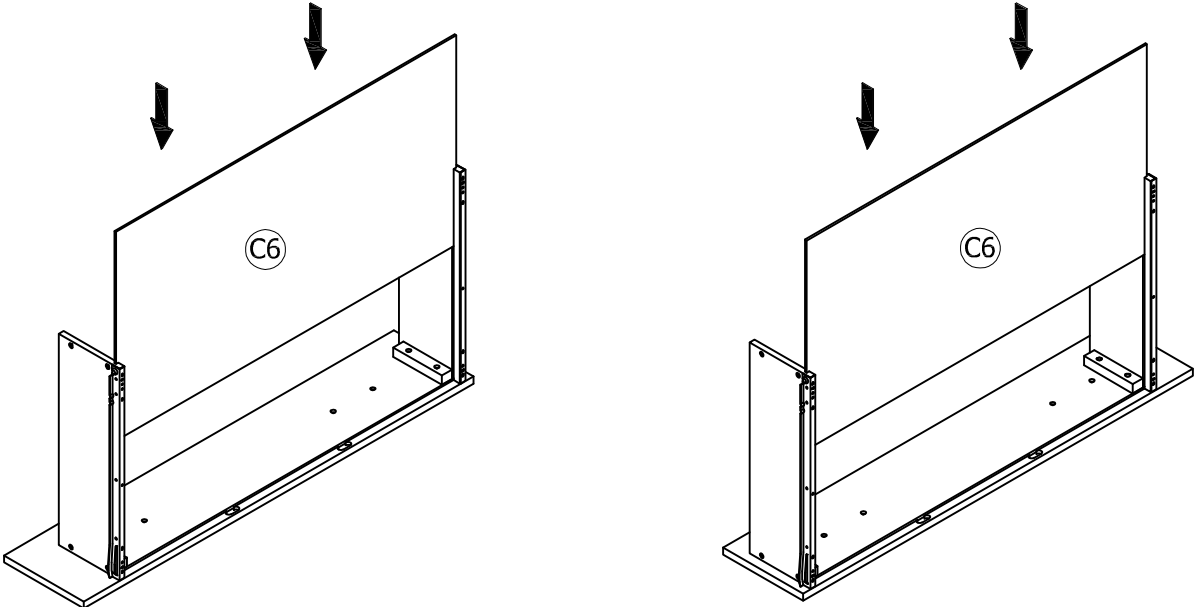
9



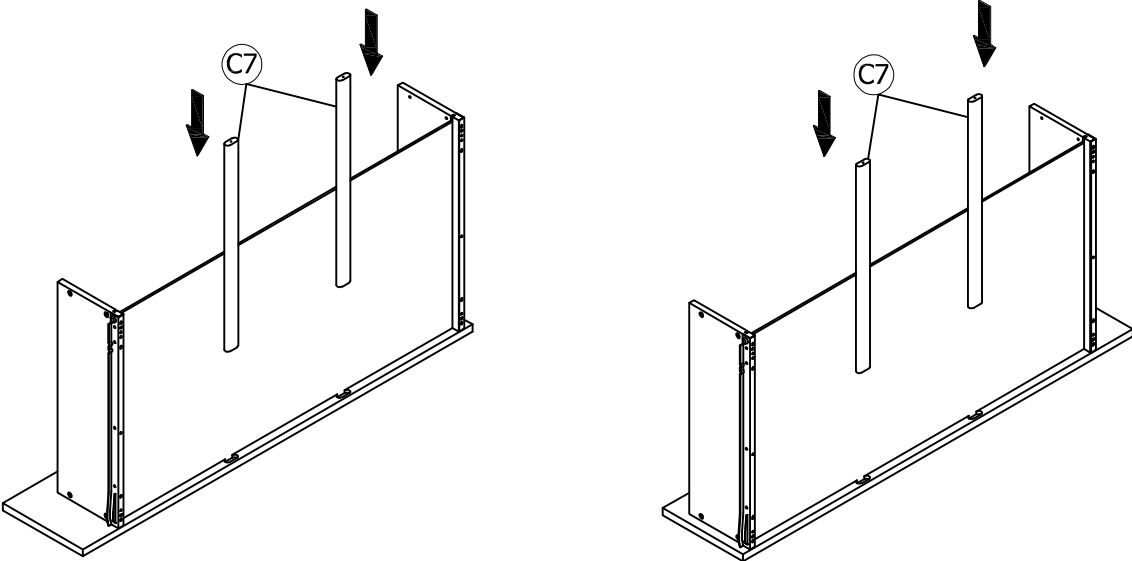
8(pcs)



STEP 15: Following below illustration.



STEP 16: Following below illustration.

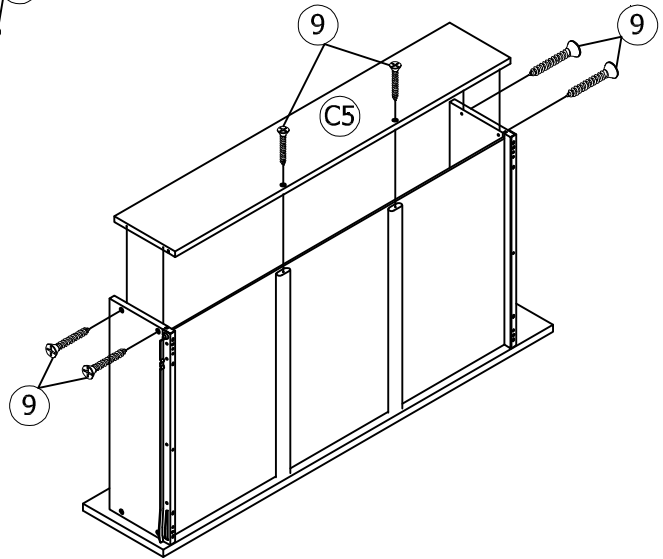
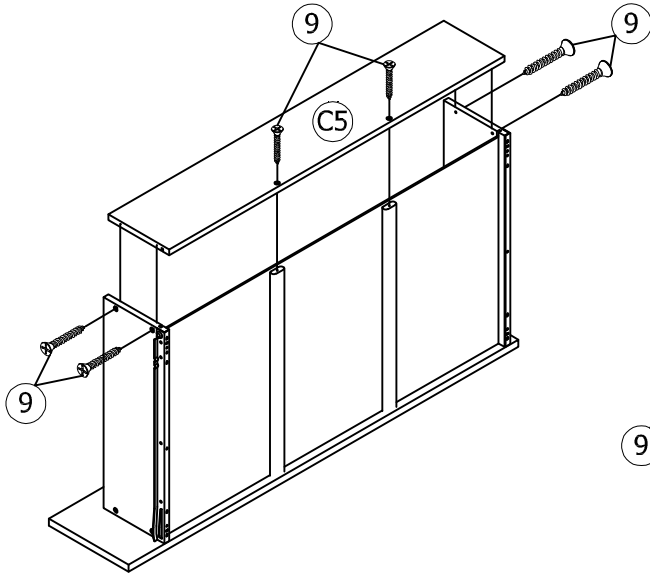


STEP17: Following below illustration.

9



12(pcs)



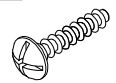
STEP18: Following below illustration.

11

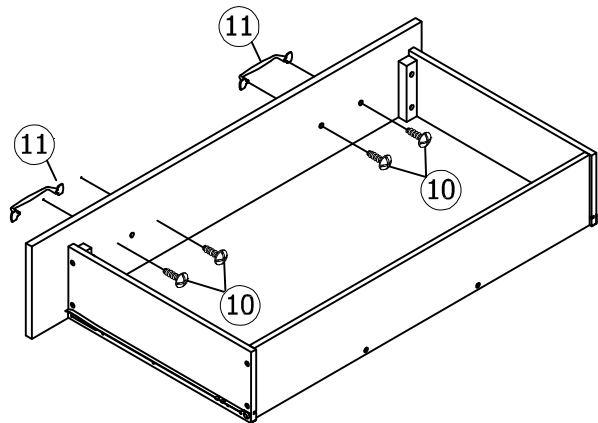
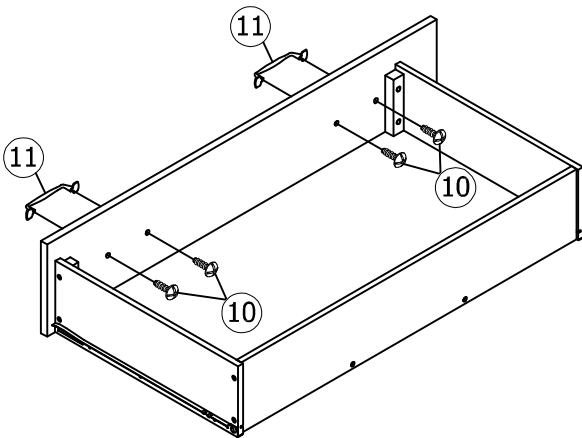


4(pcs)

10



8(pcs)



STEP 19: Following below illustration.

