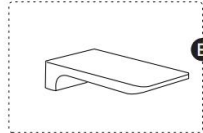
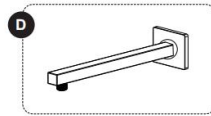
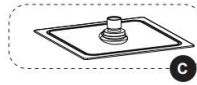
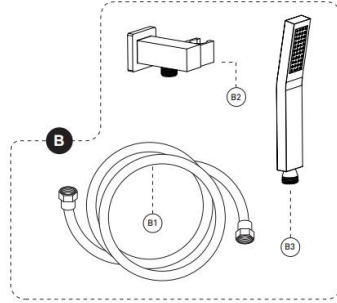
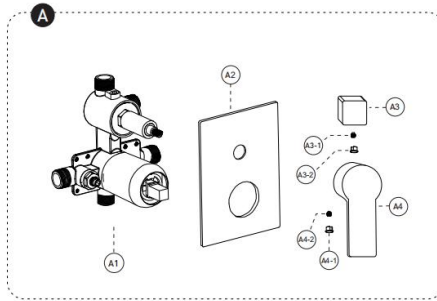
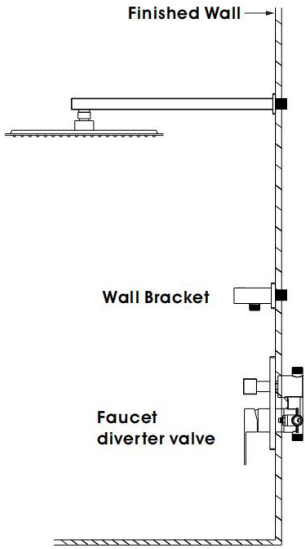


PRODUCT DRAWING



No.	Description
A	Pressure balanced diverter valve
A1	Valve
A2	Face plate with sealjoint
A3	Diverter knob kit
A3-1	Allen screw (A-3 included)
A3-2	Trim cap (A-3 included)
A4	Shower valve handle
A4-1	Trim cap (A-4 included)
A4-2	Allen screw (A-4 included)
B	Handheld Shower Kit with Flexible Hose
B1	Flexible hose
B2	Wall Bracket
B3	Handheld Shower
C	Shower head
D	Shower arm and flange kit
E	Bathtub spout
Z	Accessories Package
For Repair And Warranty (Spare Parts)	
For Installation (Spare Parts)	



SHOWER SYSTEM FAUCET
Installation instruction



MB / BN / BG / CH / ORB

CARE INSTRUCTIONS

Rinse the product with clear water. Dry the product with a soft cloth.

DO NOT:

Use abrasive cleansers, cloths, or paper towels. Use any cleaning agents containing acid, polish, wax, alcohol, ammonia, bleach, solvent or any other corrosive or harsh chemical cleansers.