

Assembly Manual



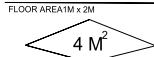
140 MIN
APPROXIMATE
ASSEMBLY TIME



Number of
packages

1

REQUIRED
ASSEMBLY SPACE



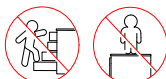
Maintenance skills

1. Use a clean and soft cloth to remove dust regularly; do not use solvents;
2. If you are in a humid environment for a long time, you must ventilate and exhaust moisture to avoid the furniture from being immersed in water;
3. Keep away from high temperature sources such as stoves, radiators, etc. to prevent the furniture from deforming.

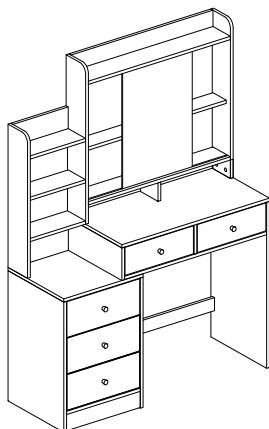
Tools needed:



Assembly Manual



Climbing Prohibit



Please read this manual carefully before any operation and keep it properly for future use.

1

Assembly Manual

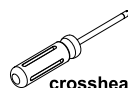
WARNING

Keep all parts out of the children's reach.

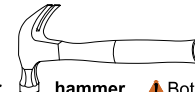
IMPORTANT: Tipping can injure young children.

NOTE

- You need to have a crosshead screwdriver and hammer beforehand.



crosshead screwdriver

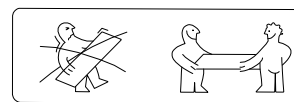
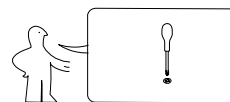


hammer

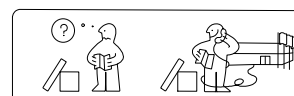
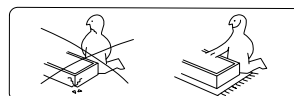
Both not included in package.

- Place all the panels on a clean and smooth surface, such as a rug or carpet, to prevent them from being scratched.
- Make sure that all parts in your product package, including panels and accessories, match up with those listed in the **Panels & Accessories list**.
- Don't tighten screws or bolts until all the pieces are fitted.
- It is recommended to have 2 persons to complete the assembly.

NOTE



① Safe carriage, multi-people are needed.

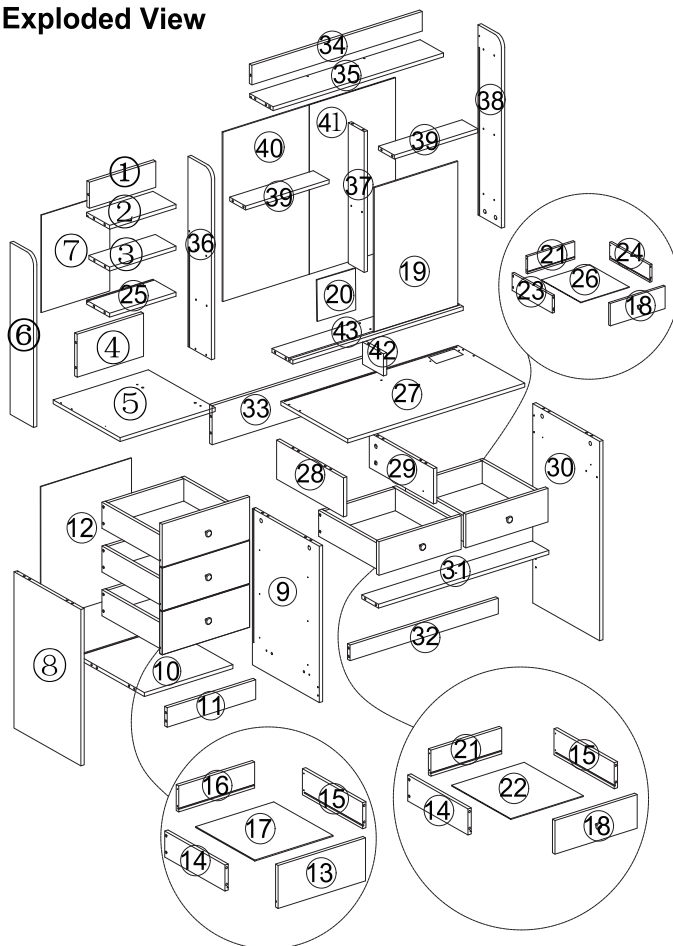


② Handle with care, protective layer is required.

2

Assembly Manual

Exploded View



3

Assembly Manual

Panel List

Please check the Panel list before installation.

Item no.	Reference Image	Qty.	Item no.	Reference Image	Qty.
1		1X	9		1X
2		1X	10		1X
3		1X	11		1X
4		1X	12		1X
5		1X	13		3X
6		1X	14		4X
7		1X	15		4X
8		1X	16		3X

4

Assembly Manual

Item no.	Reference Image	Qty.	Item no.	Reference Image	Qty.
17		3X	25		1X
18		2X	26		1X
19		1X	27		1X
20		1X	28		1X
21		2X	29		1X
22		1X	30		1X
23		1X	31		1X
24		1X	32		1X

5

Assembly Manual

Item no.	Reference Image	Qty.	Item no.	Reference Image	Qty.
33		1X	41		1X
34		1X	42		1X
35		1X	43		1X
36		1X	44		2X
37		1X	45		1X
38		1X	46		1X
39		2X	47		2X
40		1X	48		1X

6

Assembly Manual

Accessories List

Please check the Accessories list before installation.

Item no.	Reference Image	Qty.	Item no.	Reference Image	Qty.
A	 Cam Screws	2X	I	 Corner Guard Kit	18X
B	 Φ8*40 WoodDowel	31X	J	 J1 J2 Moving pulley	4X
C	 Φ15*10 Cam Lock Nuts	95X	K	 K3 K1 K4 K2 350mm Sliding rail	4X
D	 STØ3.5*14 Self-tapping screws	88X	L	 L3 L1 L4 L2 300mm Sliding rail	1X
E	 STØ5*38 Self-tapping screws	23X	M	 Door knob	5X
F	 Φ7*40 Cam Screws	113X	N	 N1 N2 Back panel card strip	1X
G	 Φ12*10 Cam Lock Nuts	22X	O	 Anti-reversal device	1X
H	 Cam Lock Nuts Cover	115X	P	 Clasp	3X

7

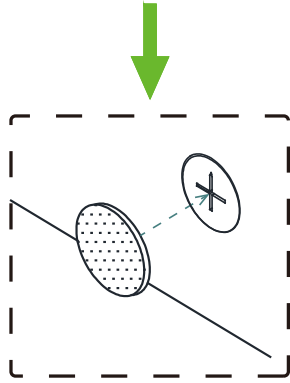
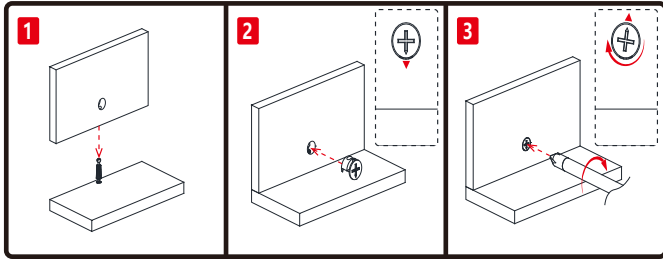
Assembly Manual

Item no.	Reference Image	Qty.
Q	 A hook	5X
R	 power cable	1X
S	 Power strip	1X
T	 hinge	2X
U	 Hair dryer stand	1X

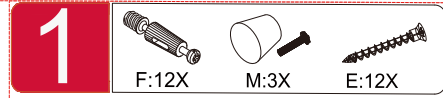
8

IMPORTANT PRECAUTIONS

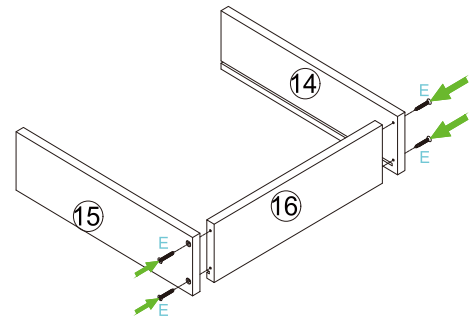
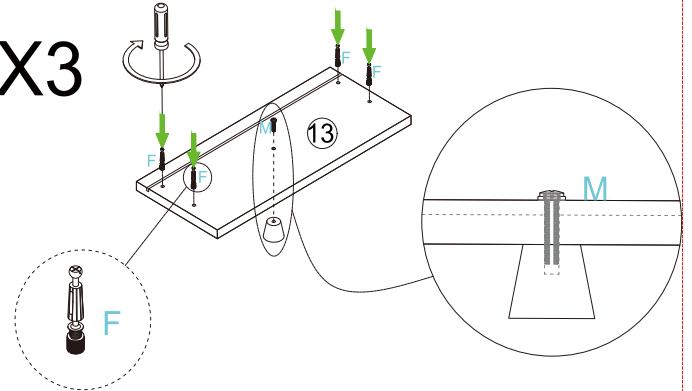
Use Cam Screws, Cam Lock Nuts, Dowel Kit(a)



7



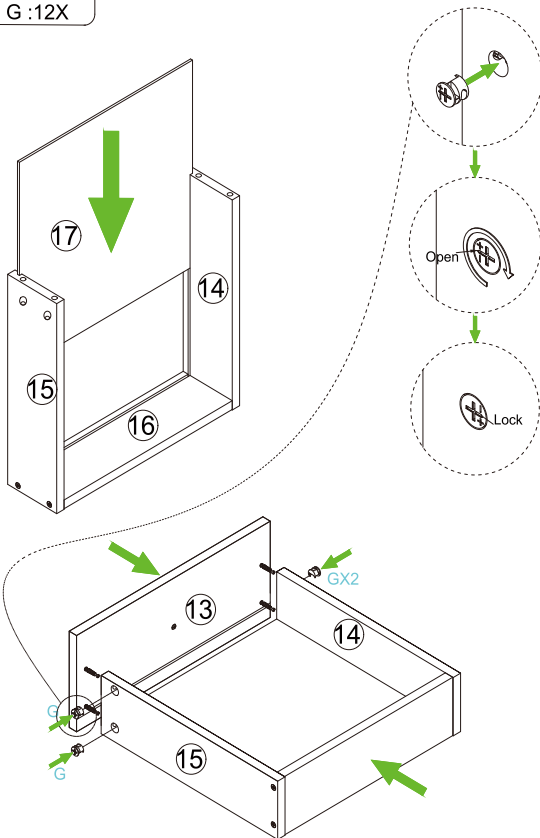
X3



8



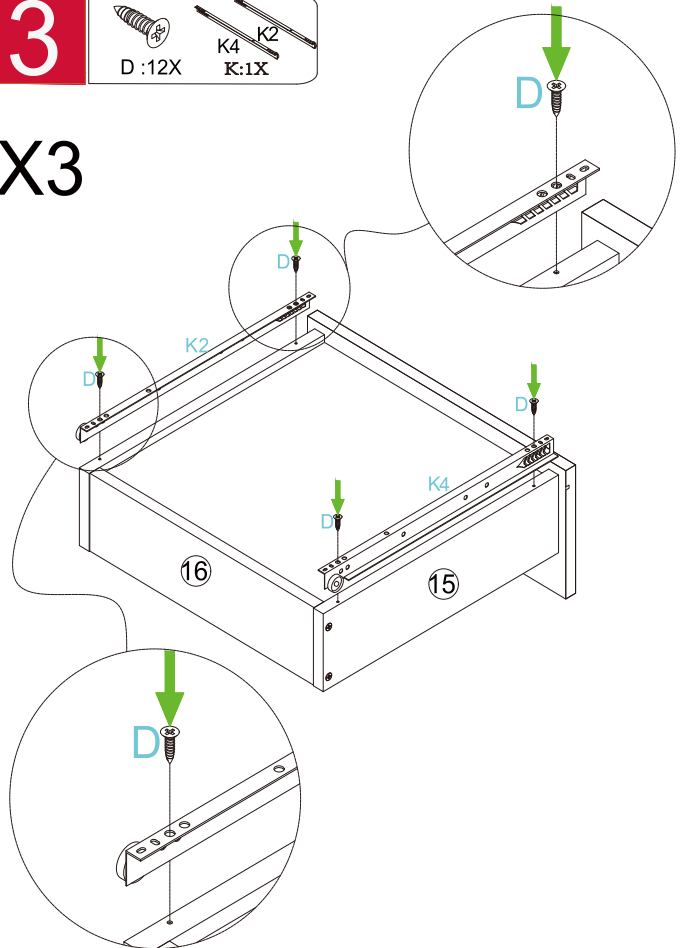
X3



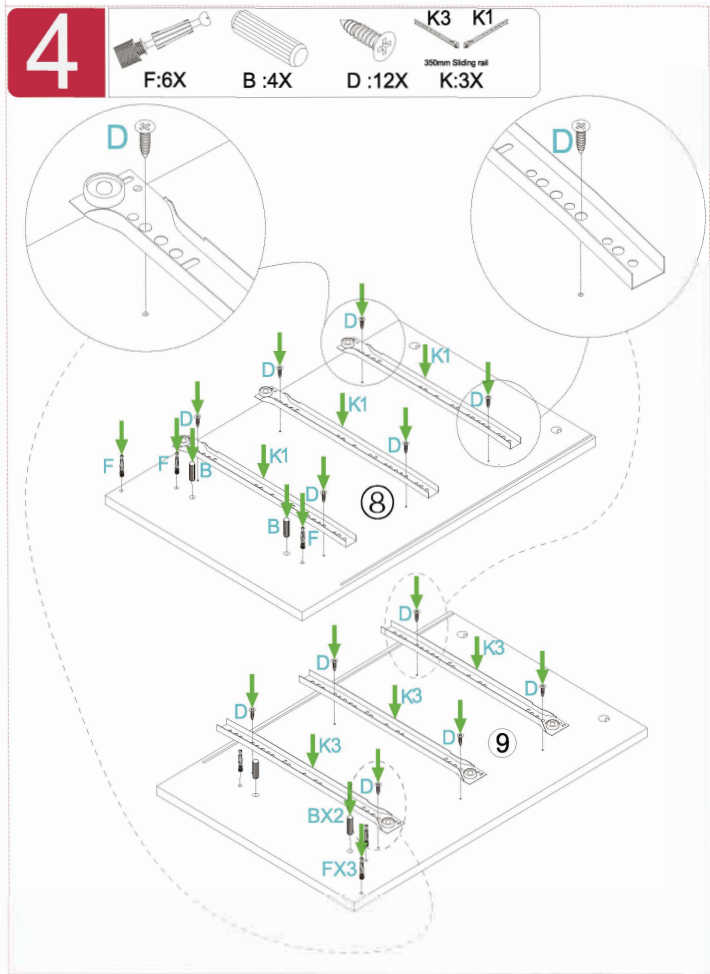
9



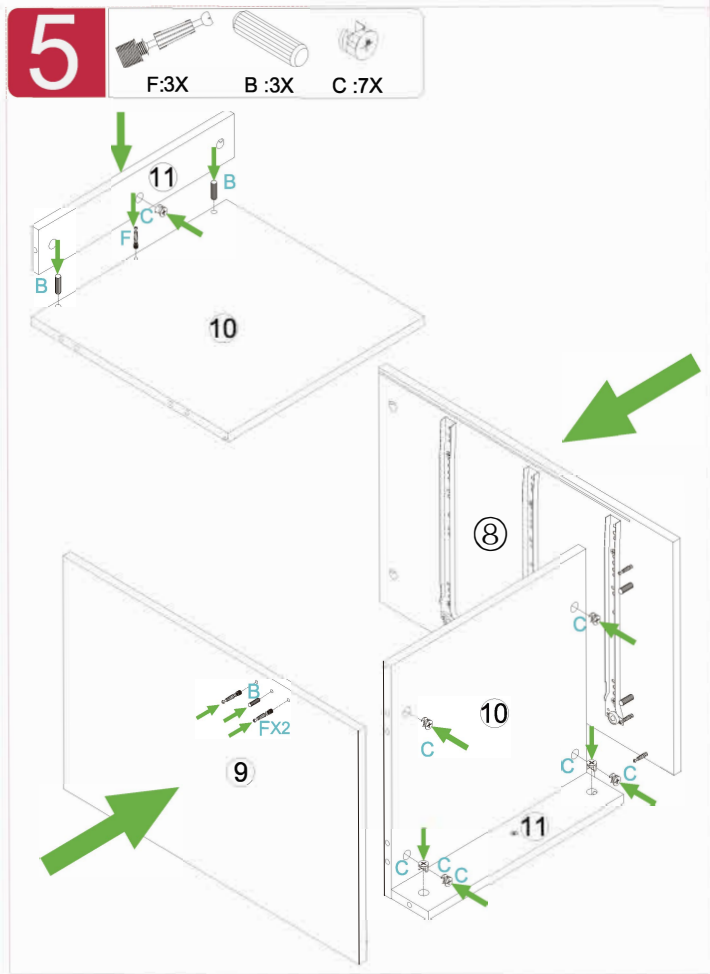
X3



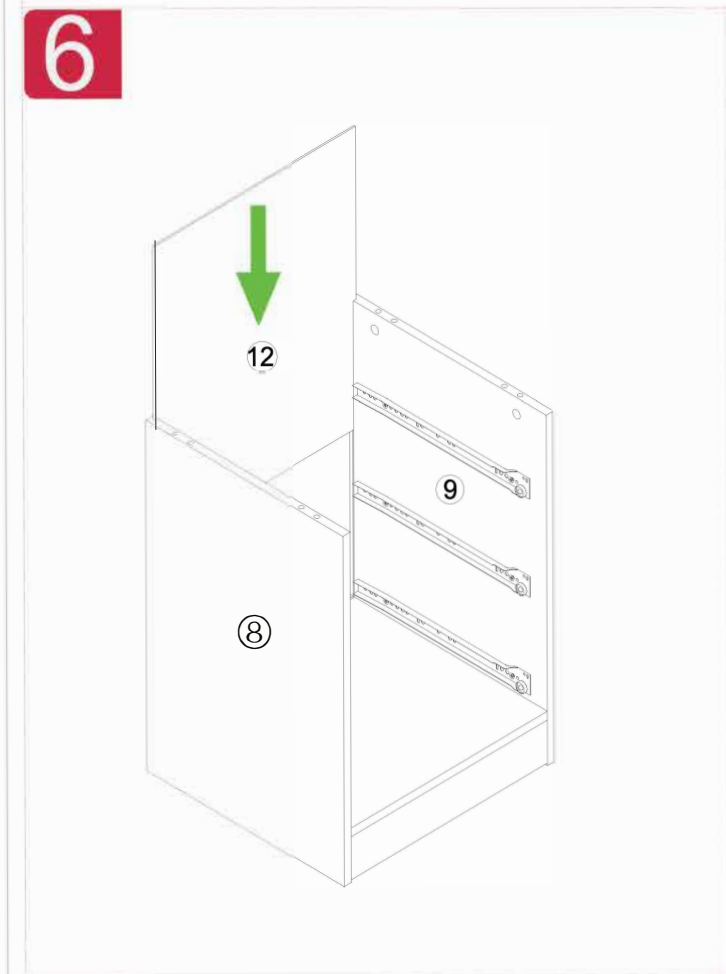
10



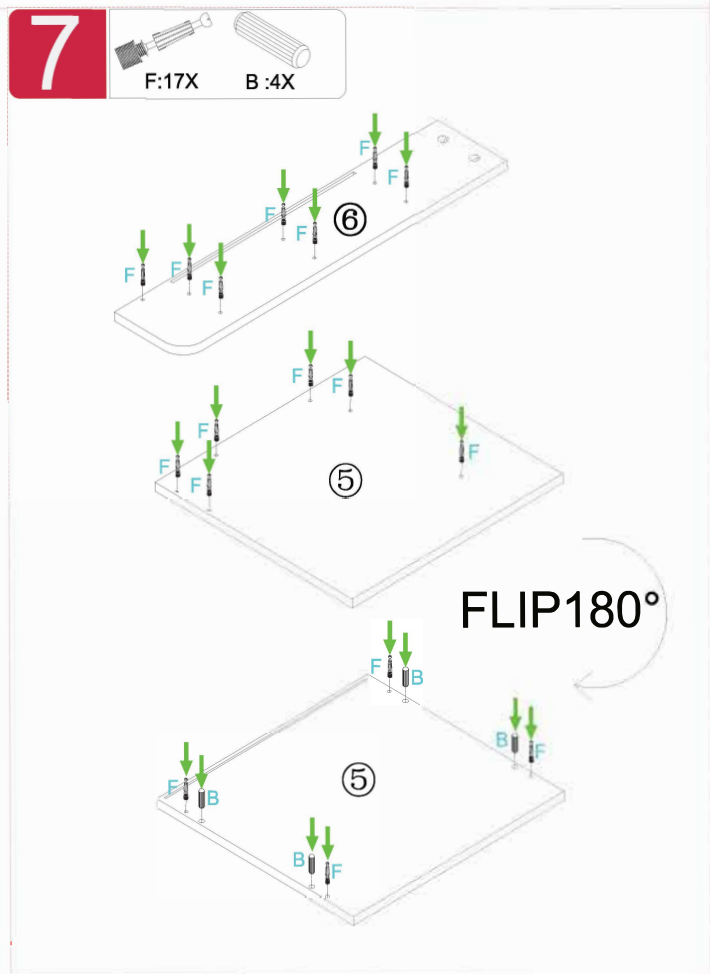
11



12



13

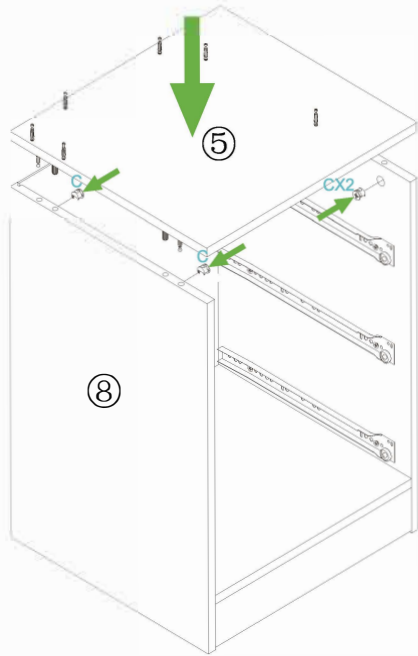


14

8

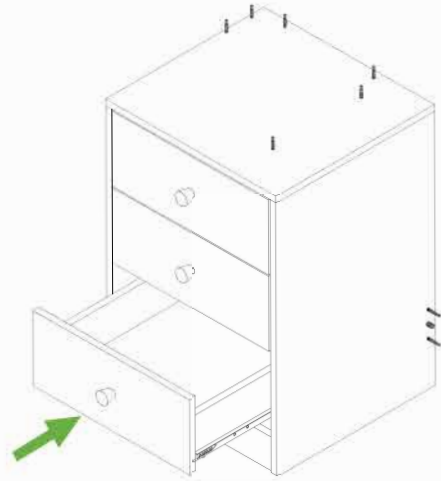


C:4X



15

9

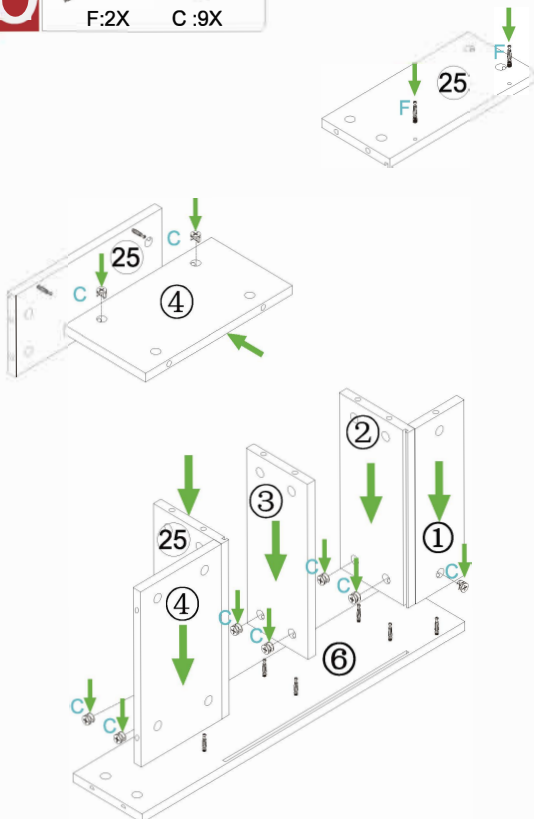


16

10

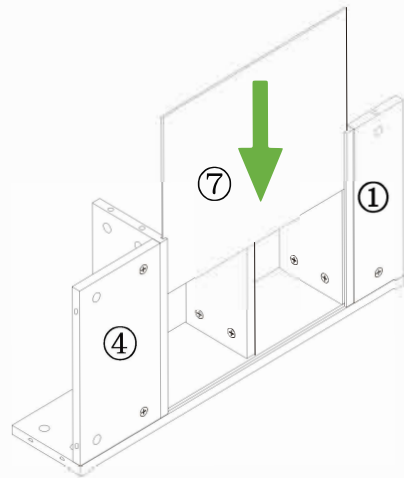


F:2X C:9X



17

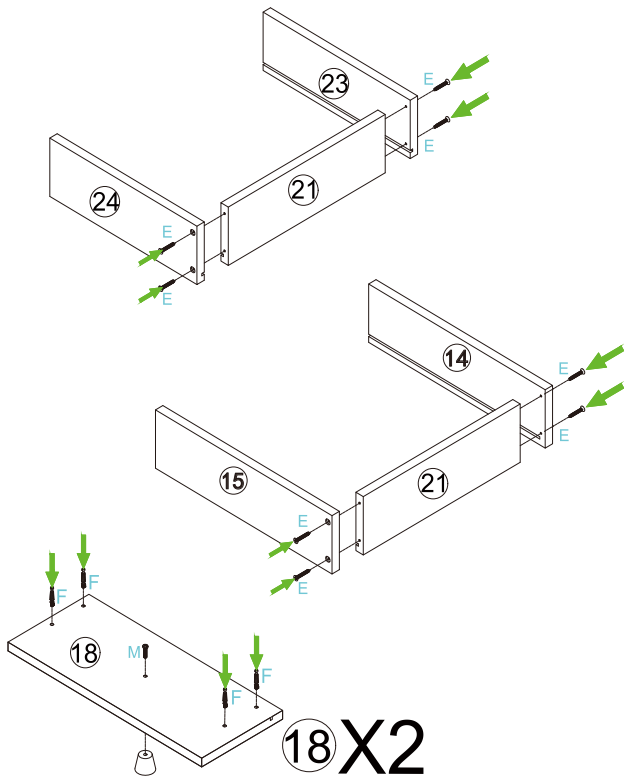
11



18

Assembly Manual

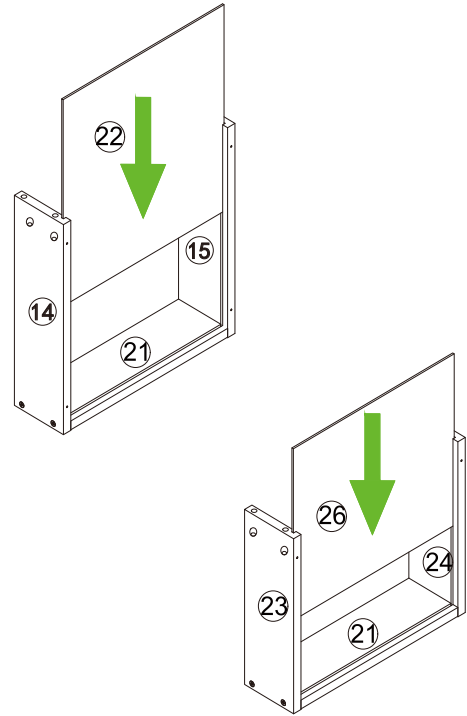
12



17

Assembly Manual

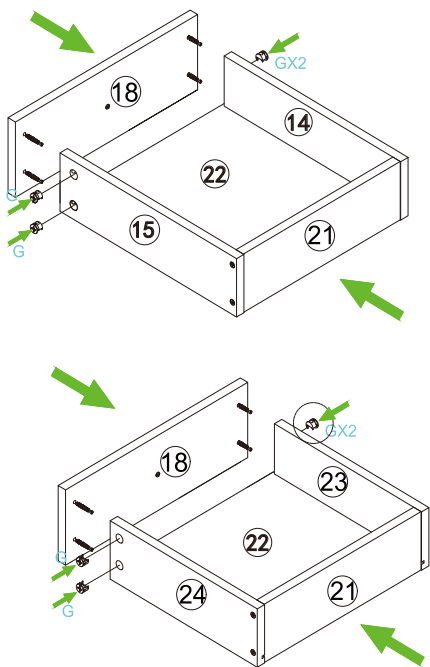
13



18

Assembly Manual

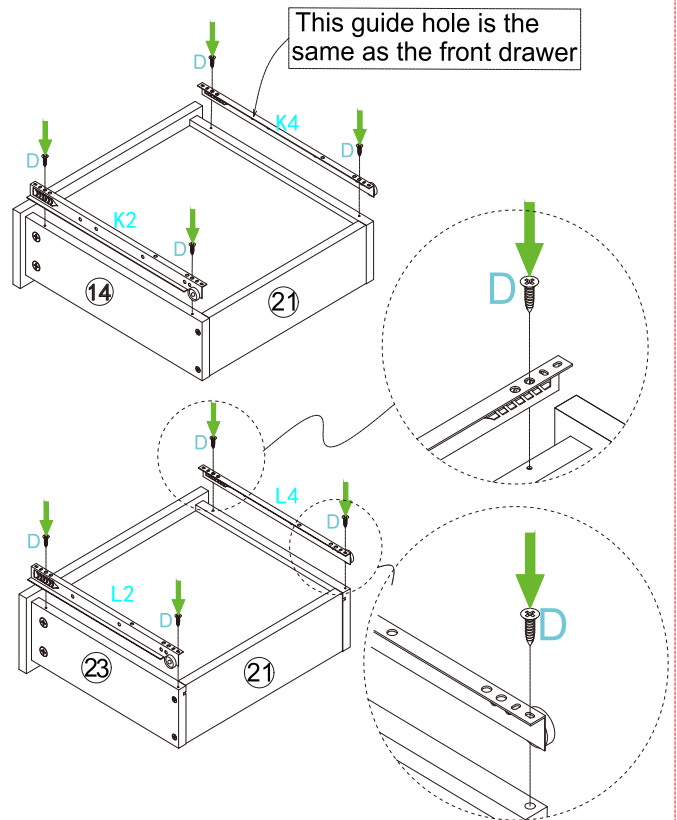
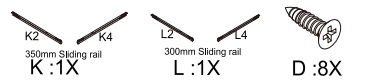
14



19

Assembly Manual

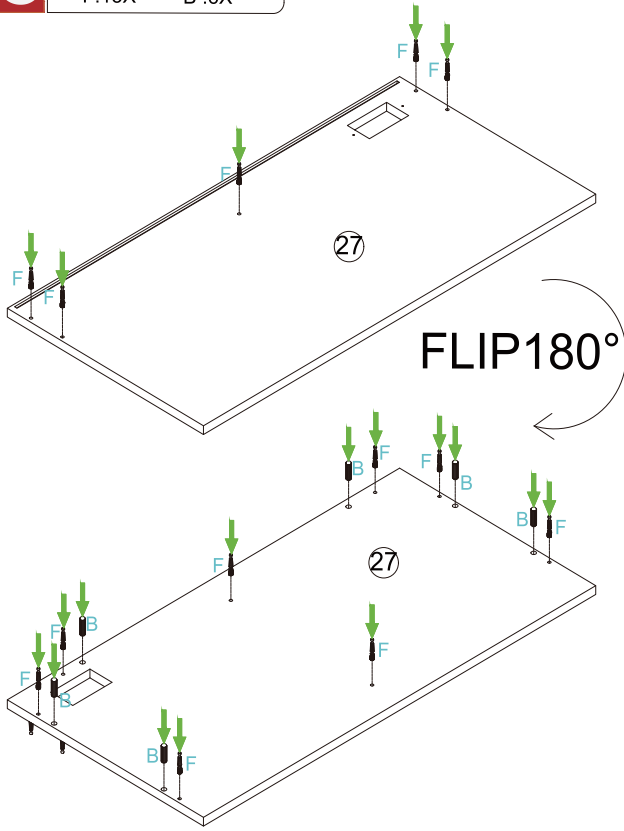
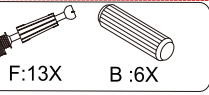
15



20

Assembly Manual

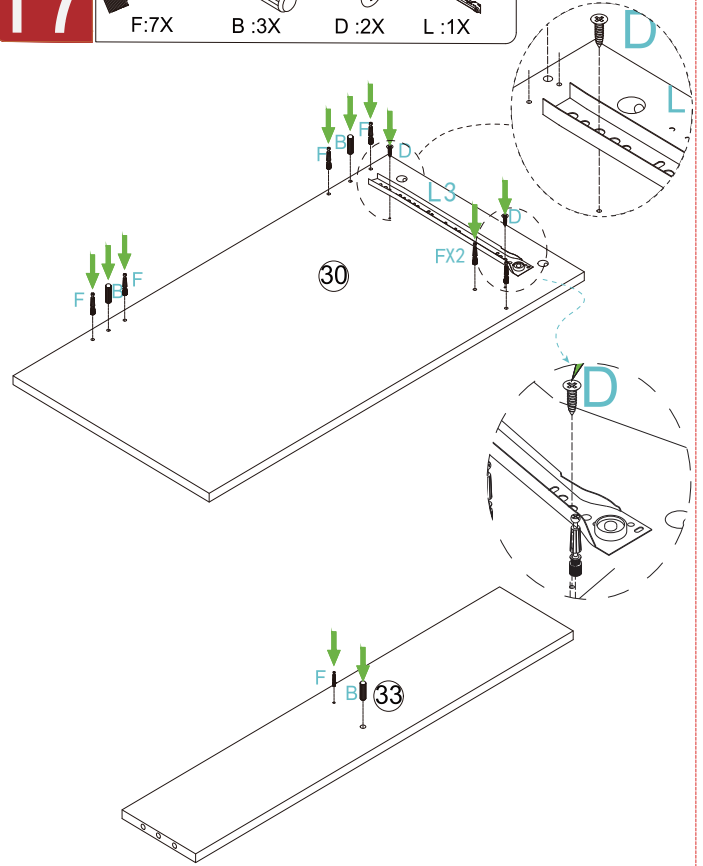
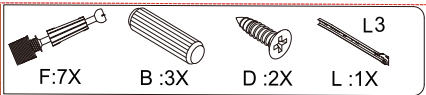
16



21

Assembly Manual

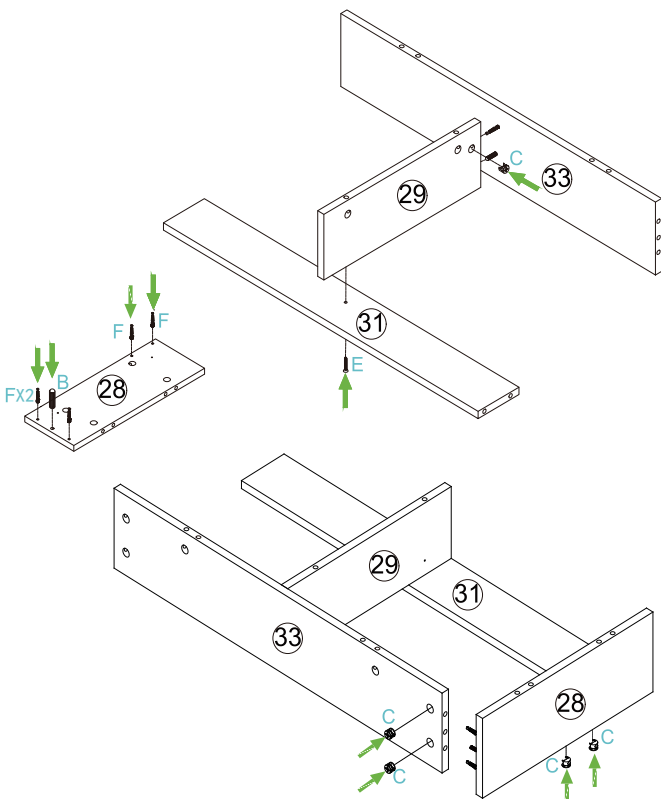
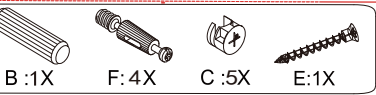
17



22

Assembly Manual

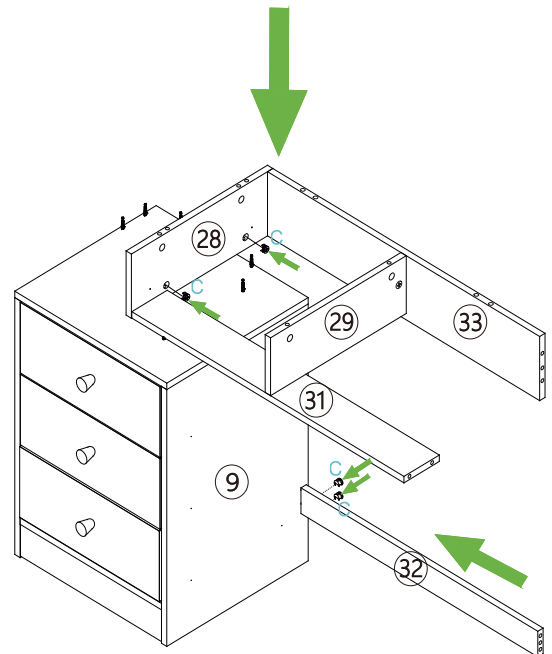
18



23

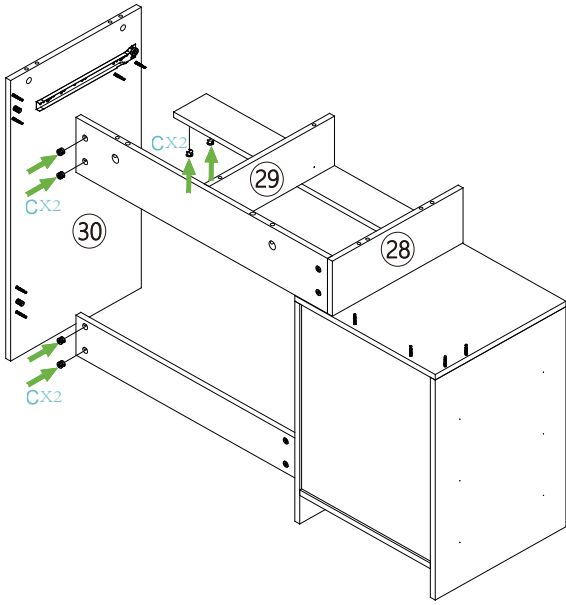
Assembly Manual

19



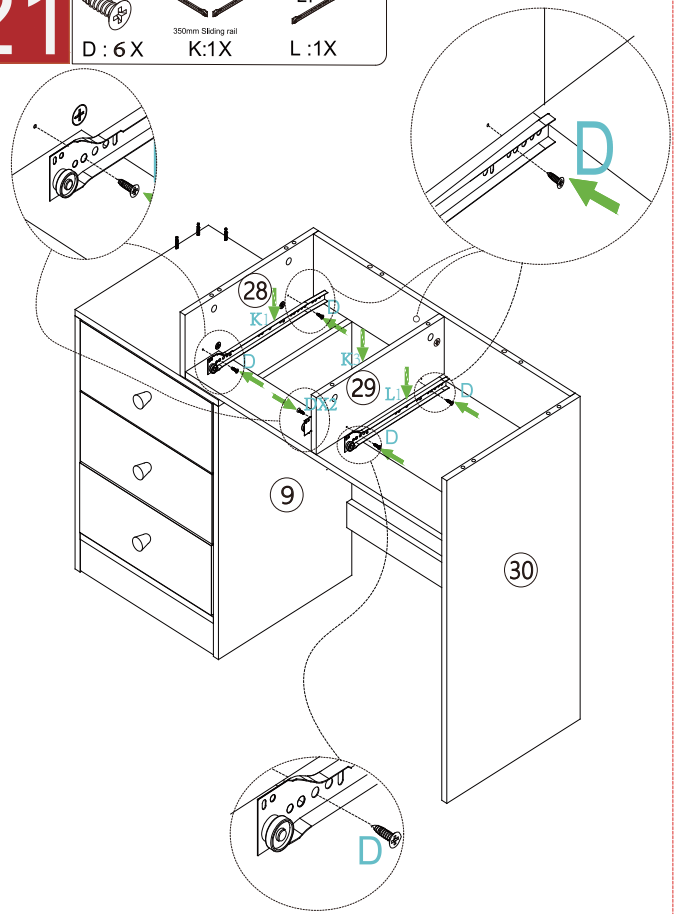
24

20 C : 6X



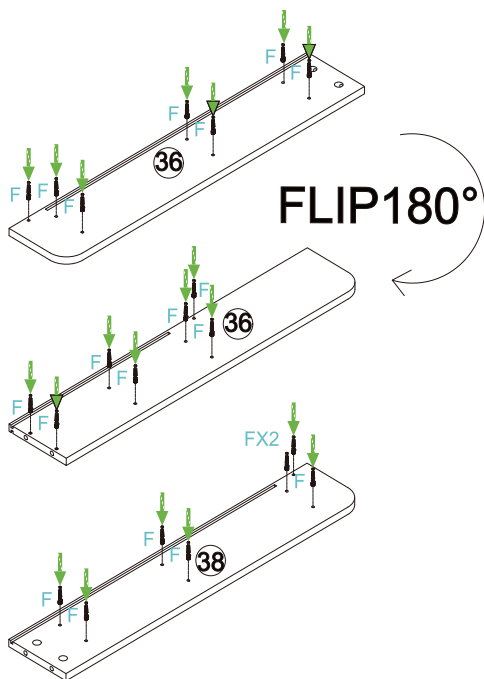
25

21 D : 6 X K3 K1 L1
35mm Sliding rail K:1X L:1X



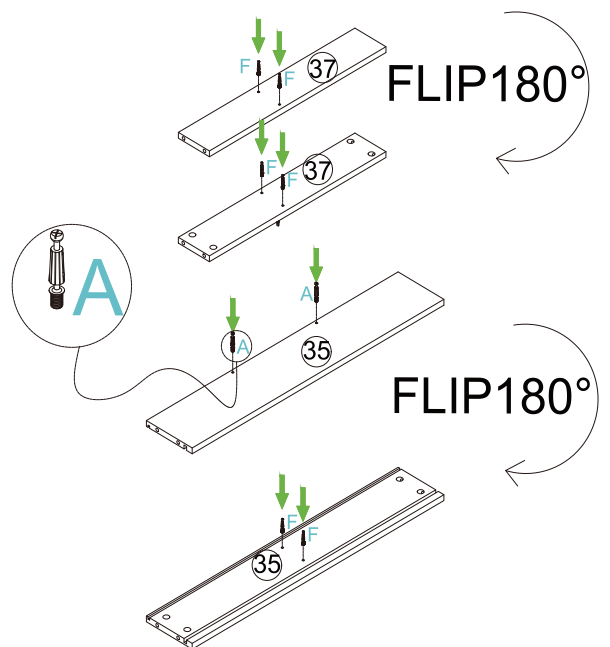
26

22 F: 21X



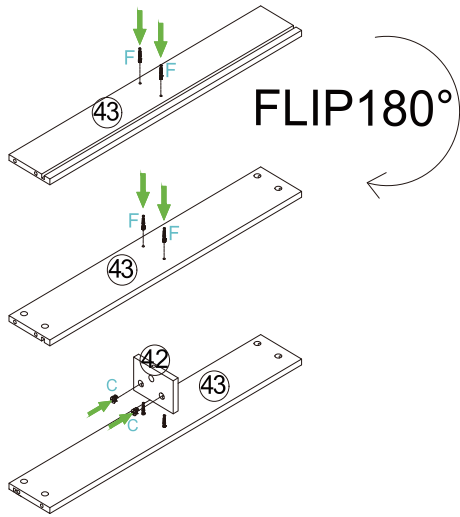
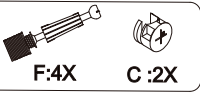
27

23 F: 6X A: 2X

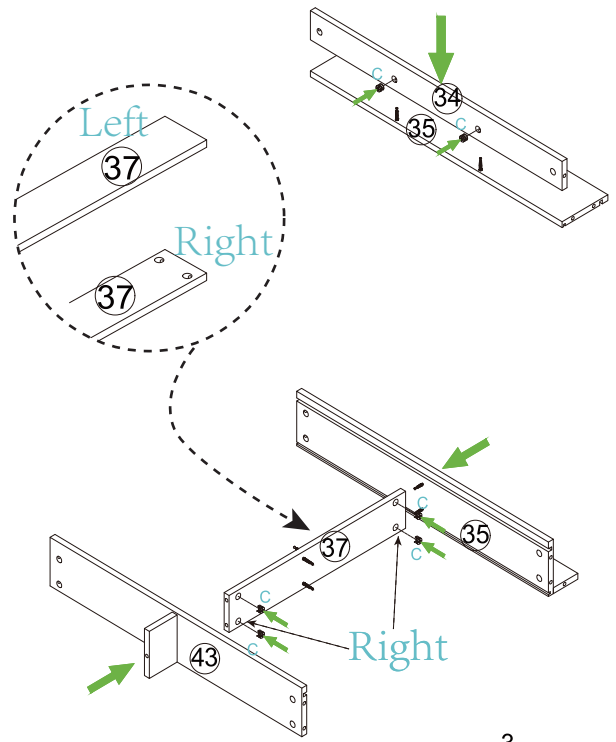


28

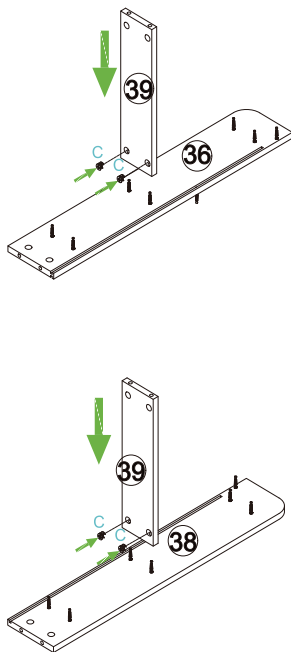
24



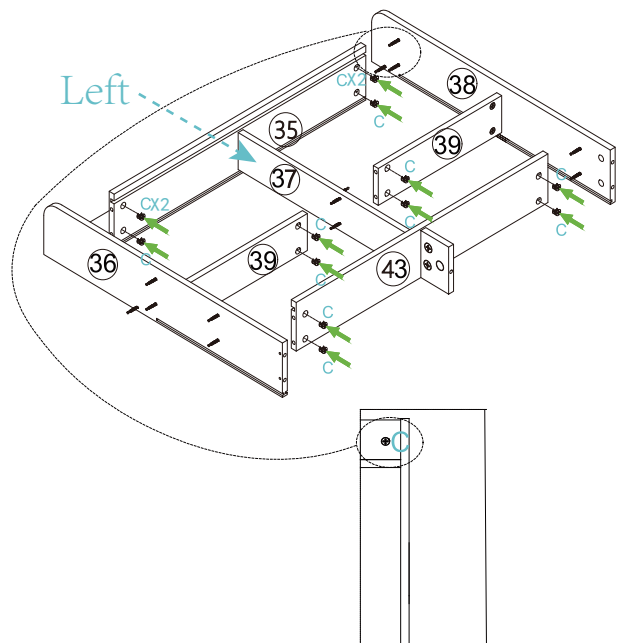
25



26



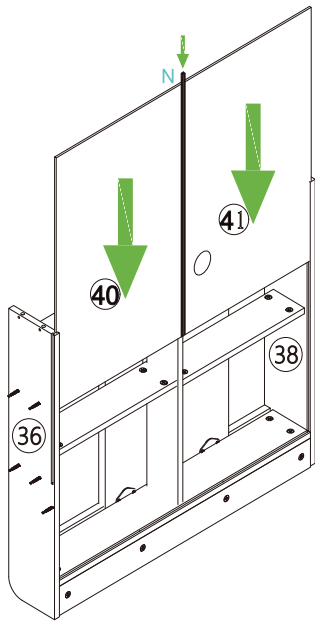
27



28

N1

Back panel card strip
N:1X



35

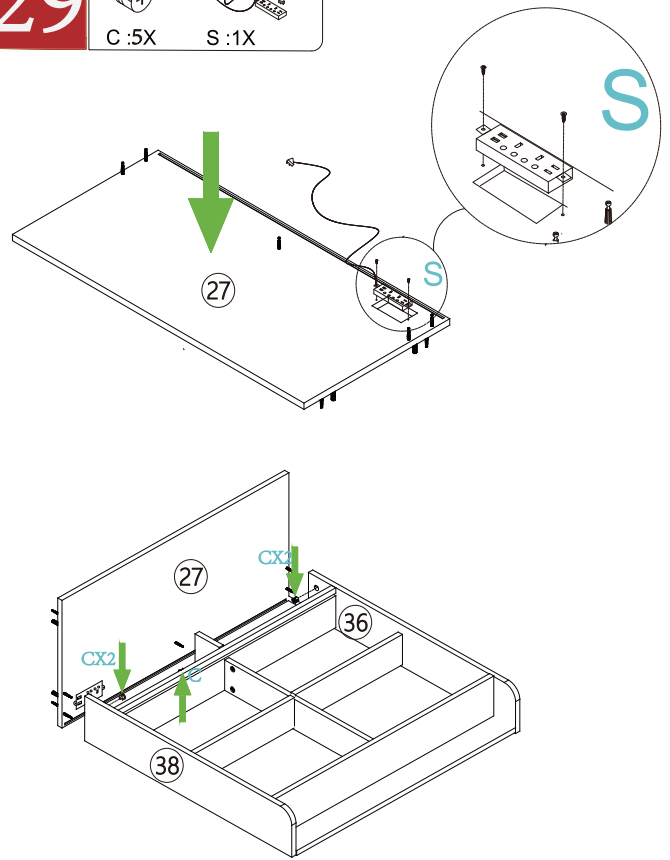
29



C:5X



S:1X

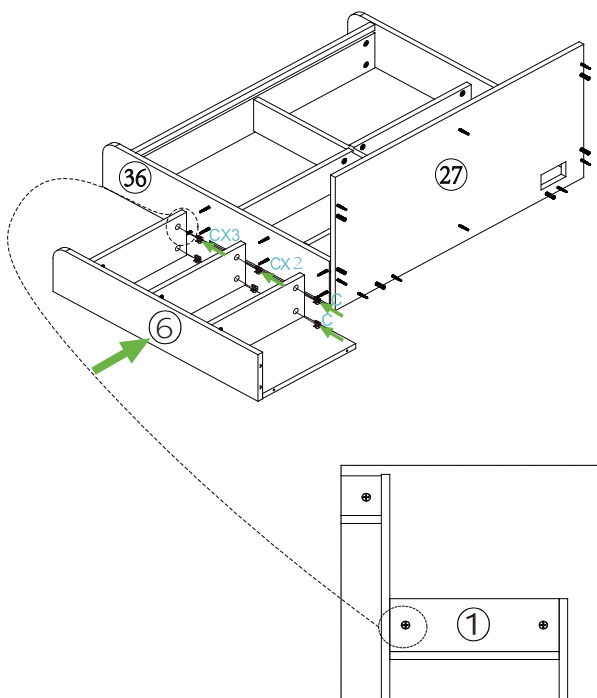


36

30



C:7X



37

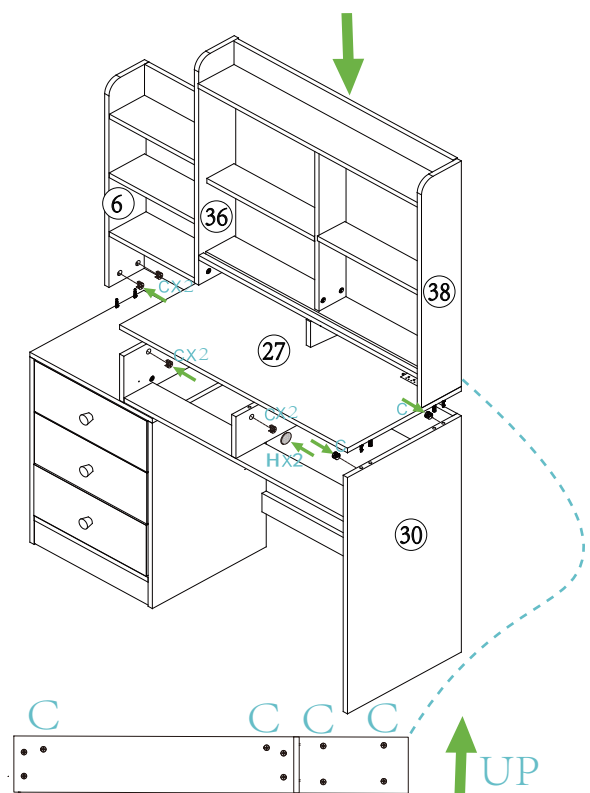
31



C:12X



H:107X

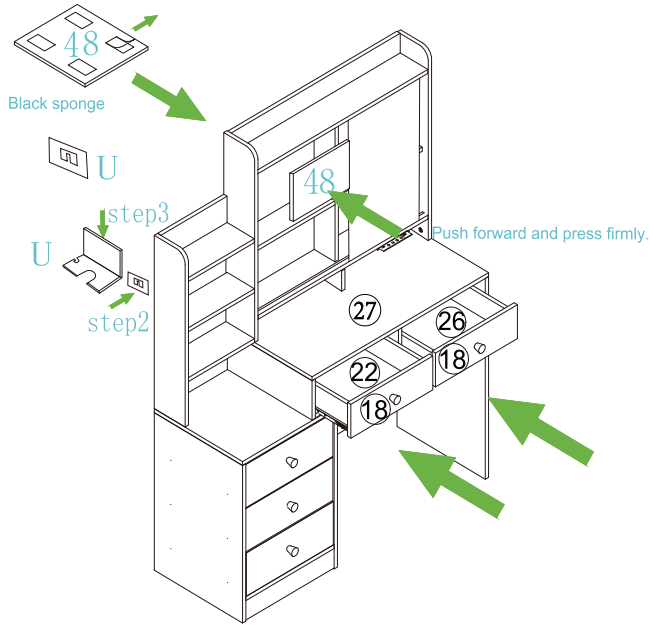


38

32

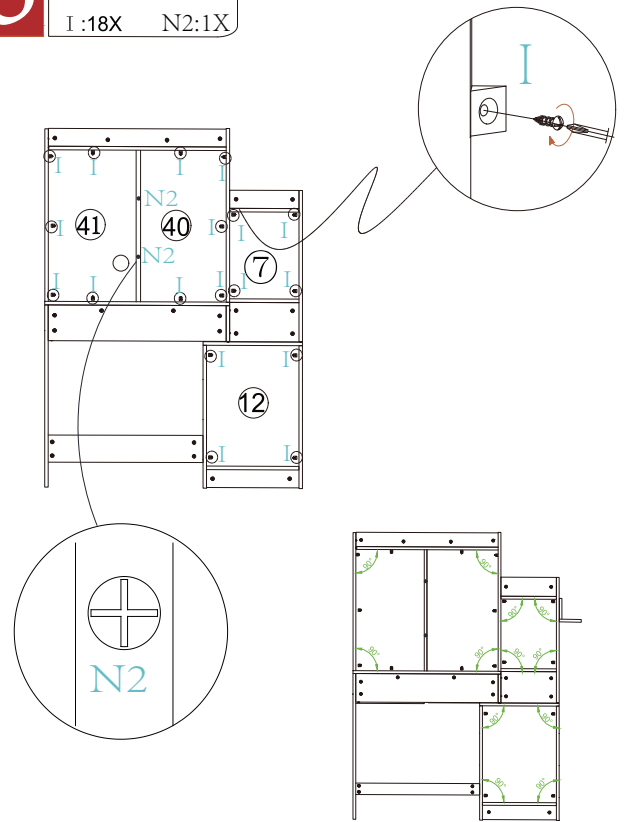


Step1: Remove the back sticker



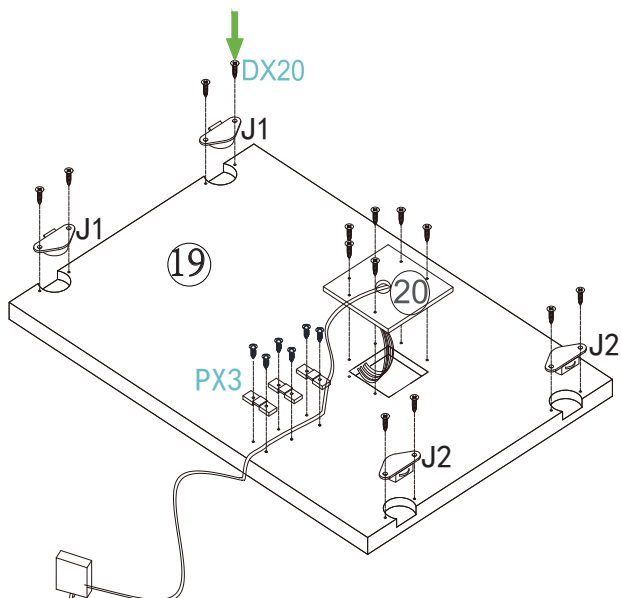
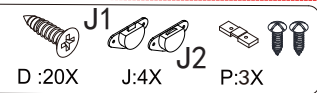
39

33



40

34



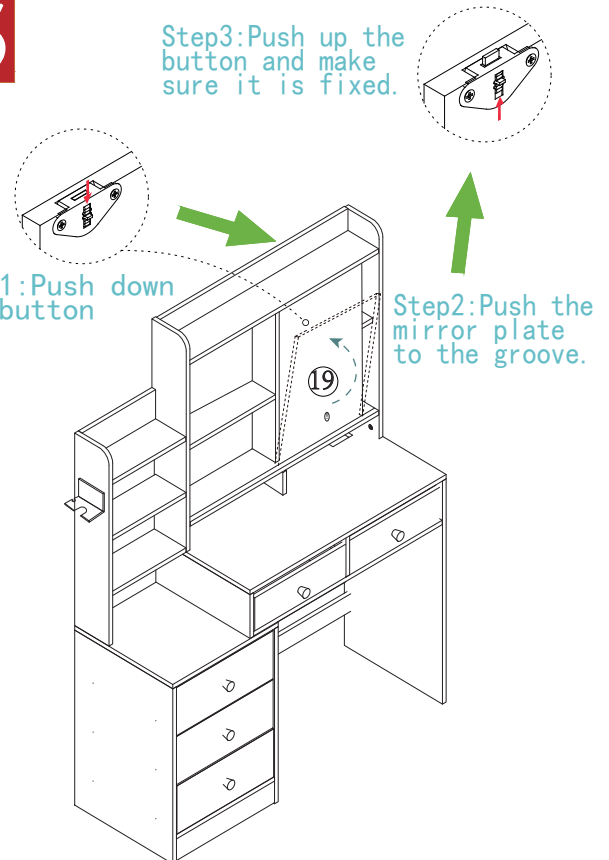
41

35

Step3: Push up the button and make sure it is fixed.

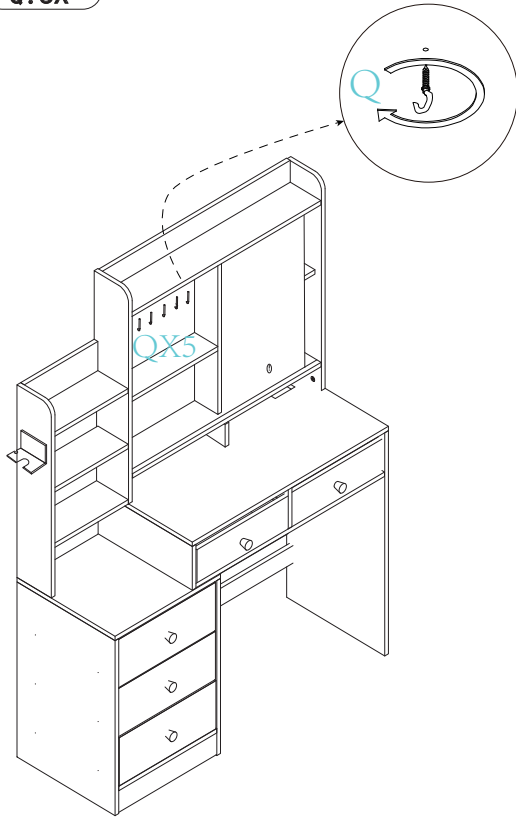
Step1: Push down the button

Step2: Push the mirror plate to the groove.

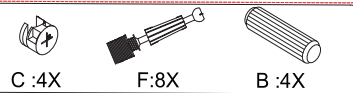


42

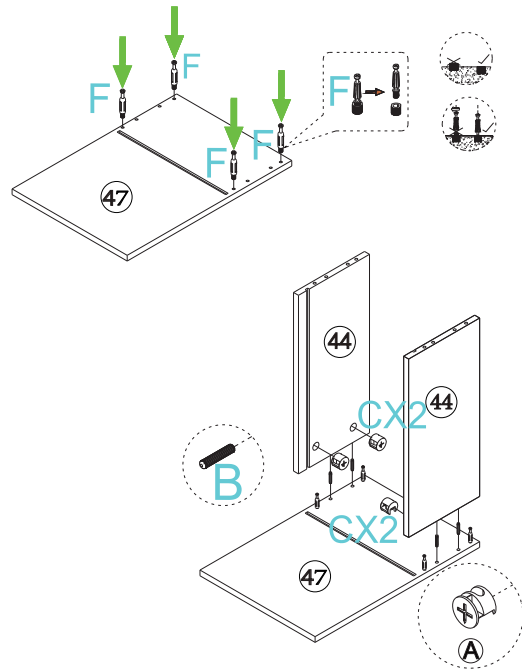
36



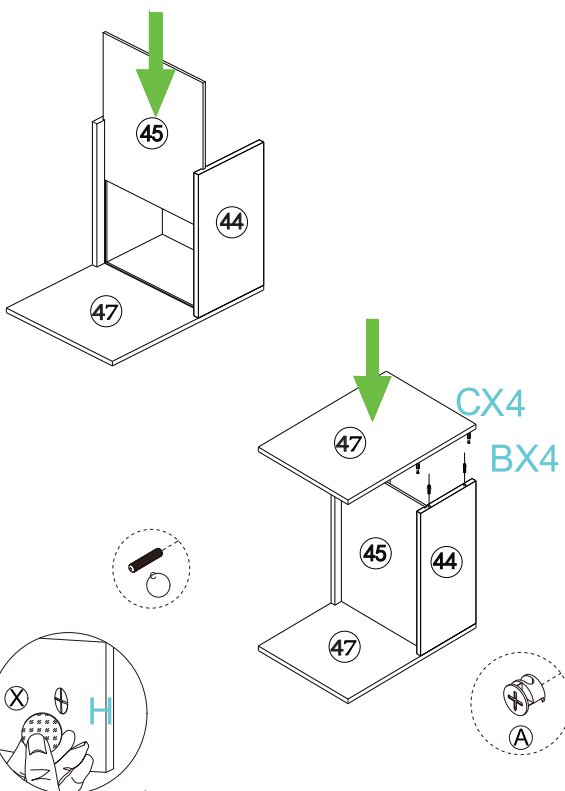
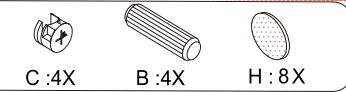
37



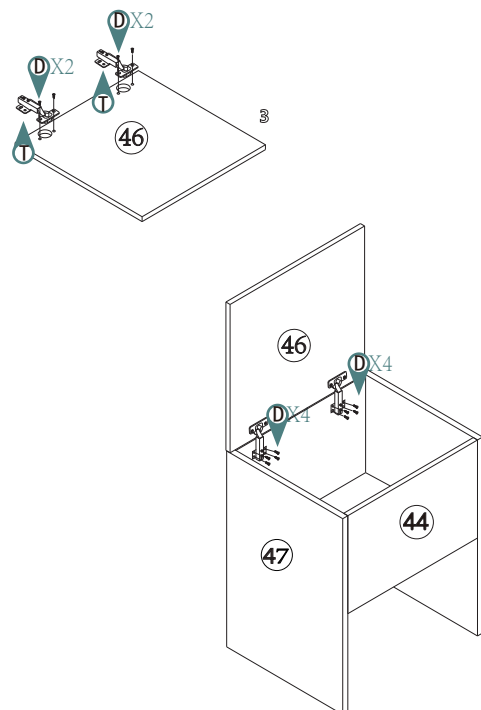
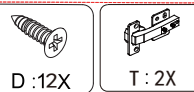
47X2



38



39



40  0:1X

