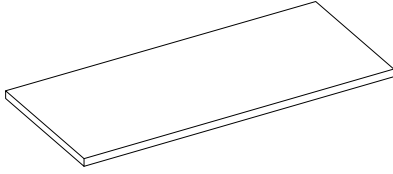


ASSEMBLY INSTRUCTIONS

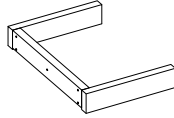
DINING TABLE

PARTS INCLUDED

(A) TABLETOP (×1 piece)



(B) LEG (×2 pieces)



HARDWARE INCLUDED

1- Allen Bolt M8*75mm (×10 pieces)



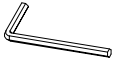
2- Lock Washer (×10 pieces)



3- Flat Washer (×10 pieces)



4- Allen Key (×1 piece)



ASSEMBLY INSTRUCTIONS

1. Carefully unpack the parts from the carton.
2. Gently Place the Tabletop (A) top down on a flat protected surface (shown in Figure 1).

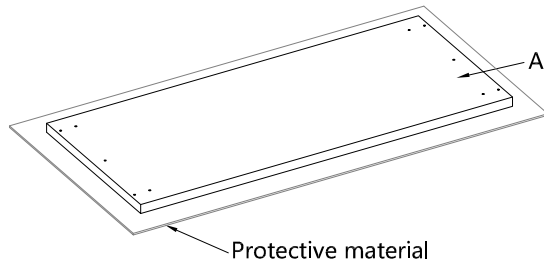


Figure 1

ASSEMBLY INSTRUCTIONS

DINING TABLE

3. Position the Legs (B) onto the tabletop, and Insert the Allen Bolts (1), Lock Washers (2) and Flat Washers (3) to the holes. Tighten with the Allen Key (4) (shown in Figure 2).

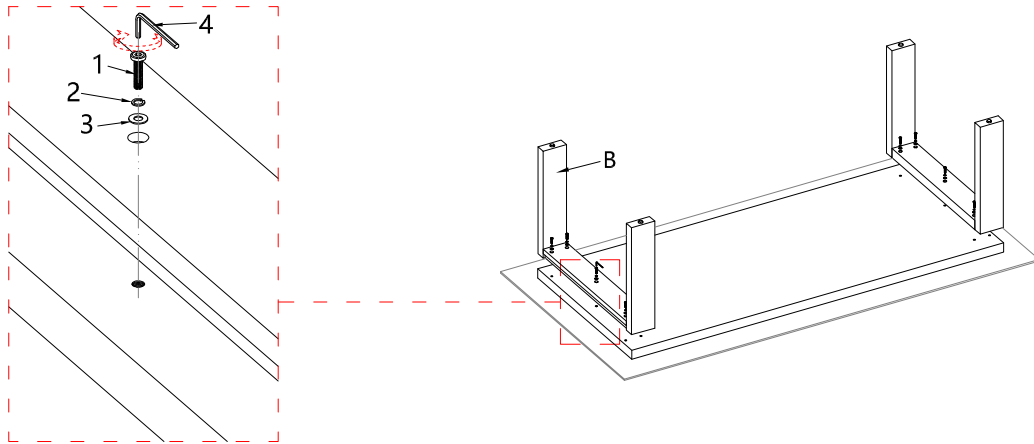


Figure 2

4. Turn over the assembled table. Then adjust the levelers to level the table (shown in Figure 3).

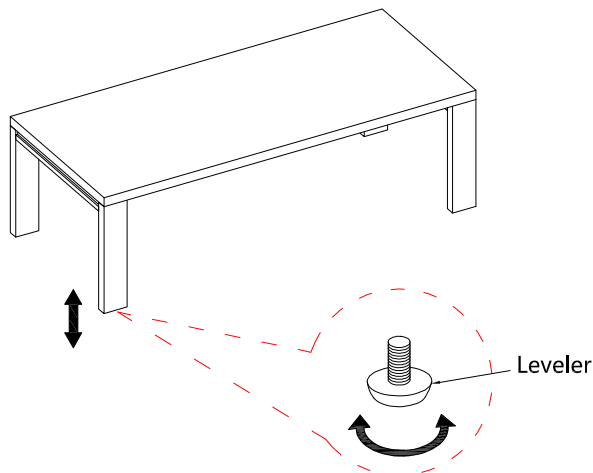


Figure 3

CARE INSTRUCTIONS

1. Clean periodically by wiping the furniture lightly with a soft, dry cloth.
2. Do not use abrasive or chemical cleaners, as they may damage the finish.

IMPORTANT SAFETY INSTRUCTIONS

This furniture must be assembled by at least two people.