












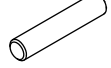
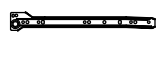
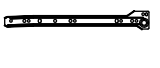
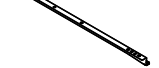

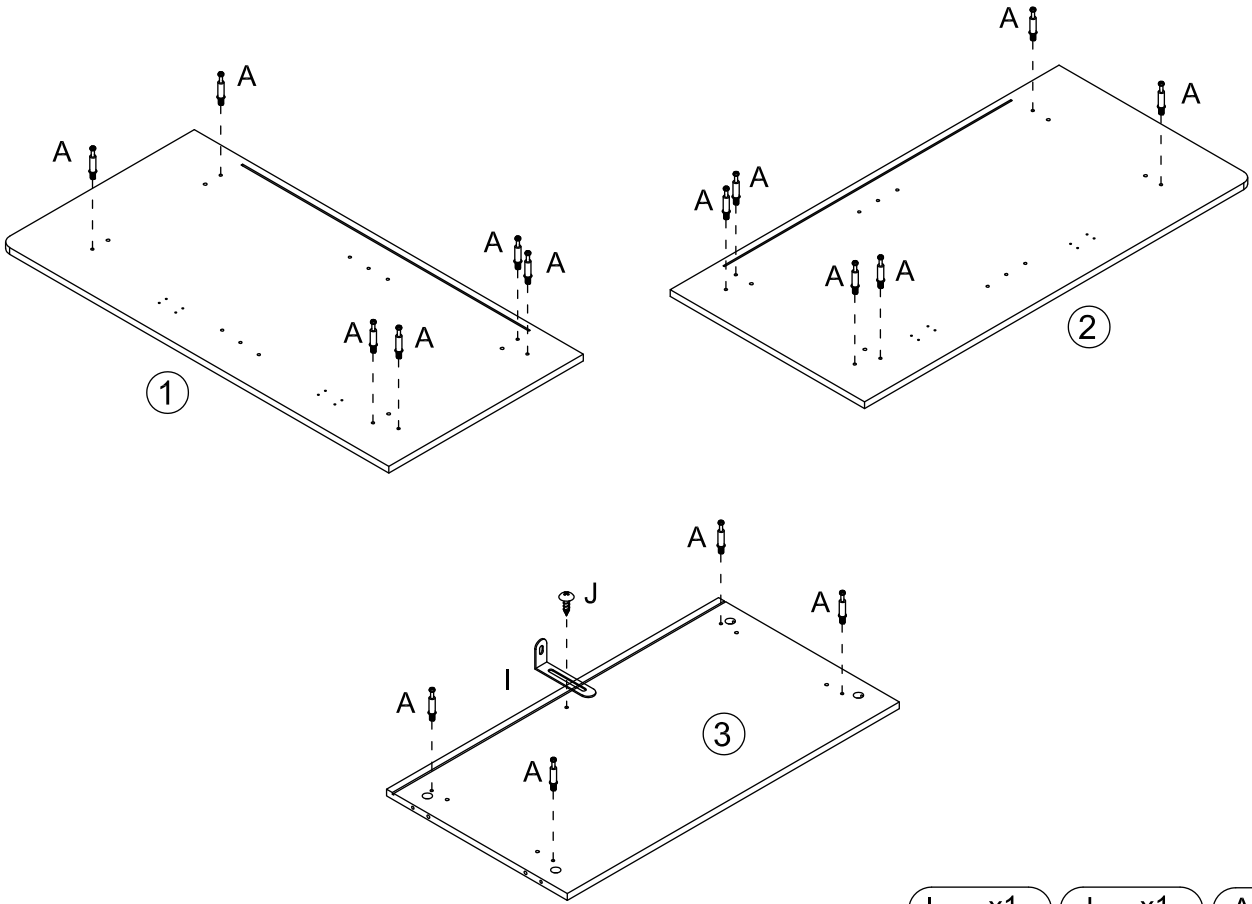





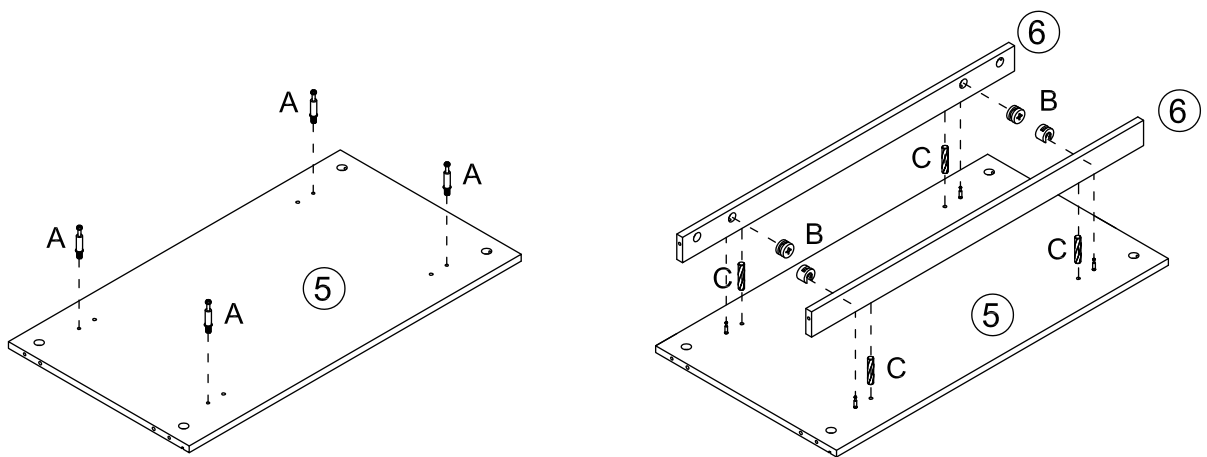
A x29	B x29	C x20	D x9	E x4	F x24
					
G x8	H x8	I x1	J x1	K x1	L x1
					
M x12	N x4	CL x1	CR x1	DL x1	DR x1
					




# Step 1



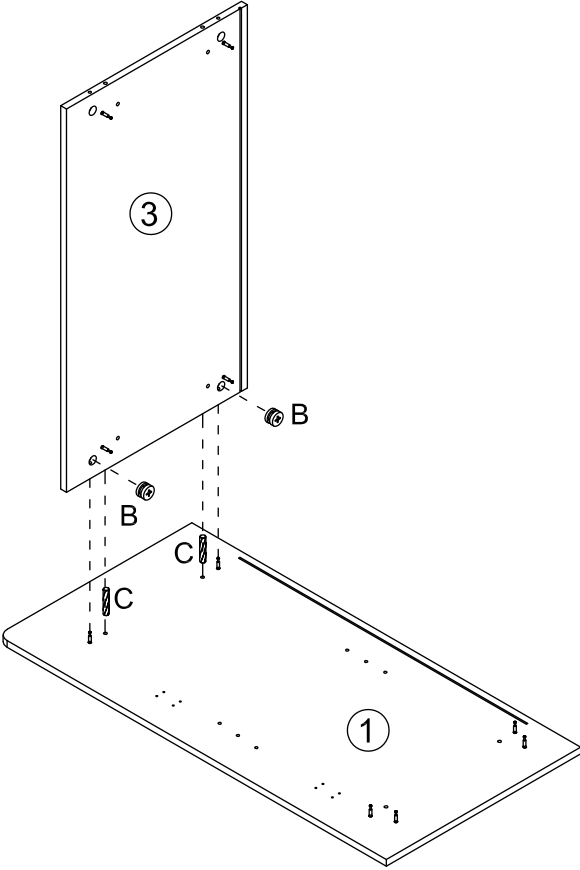
I x1	J x1	A x16
		



# Step 2



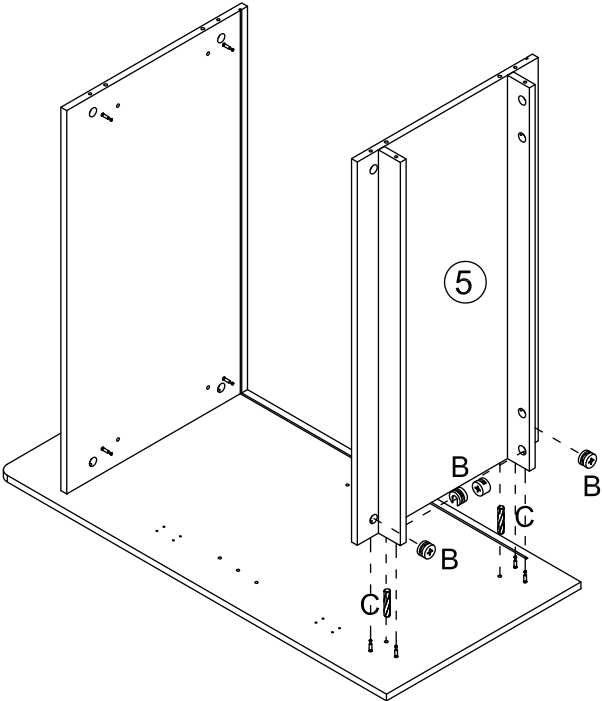
B x4	C x4	A x4
		



# Step 3



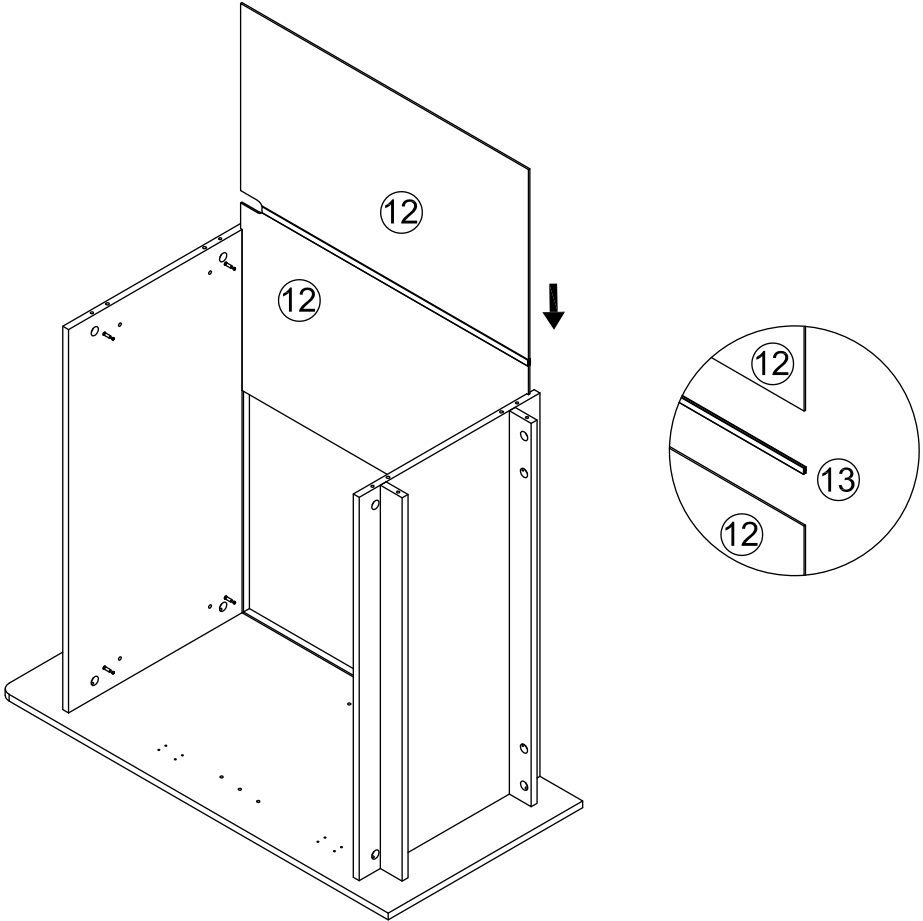
B x2	C x2
	

# Step 4

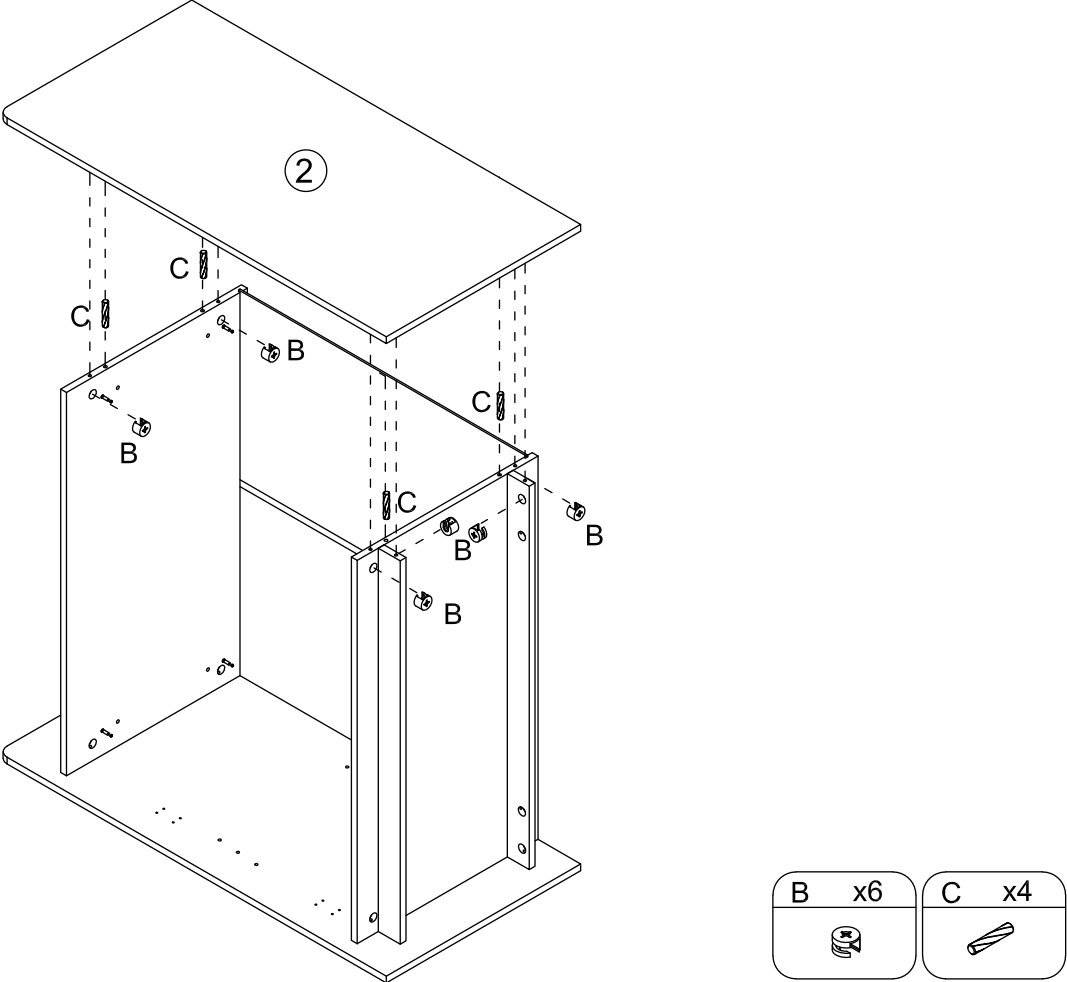


B x4	C x2
	

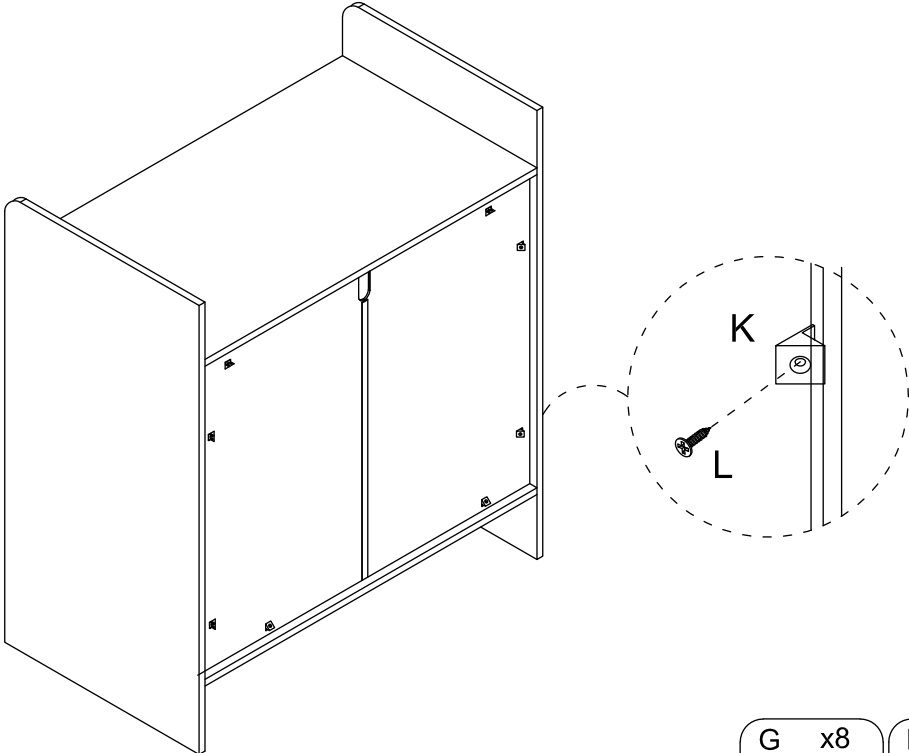
# Step 5



# Step 6

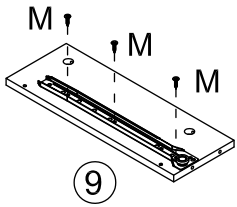
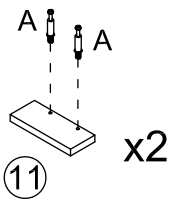
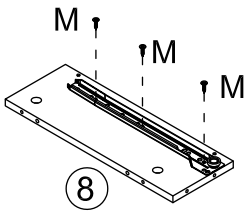
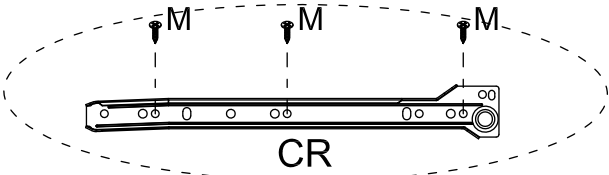
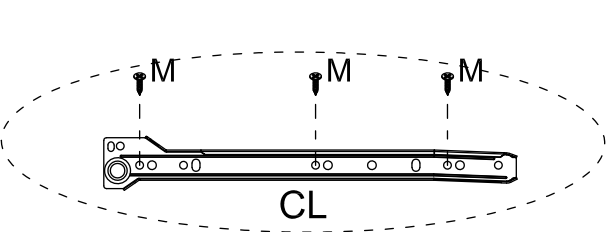


# Step 7



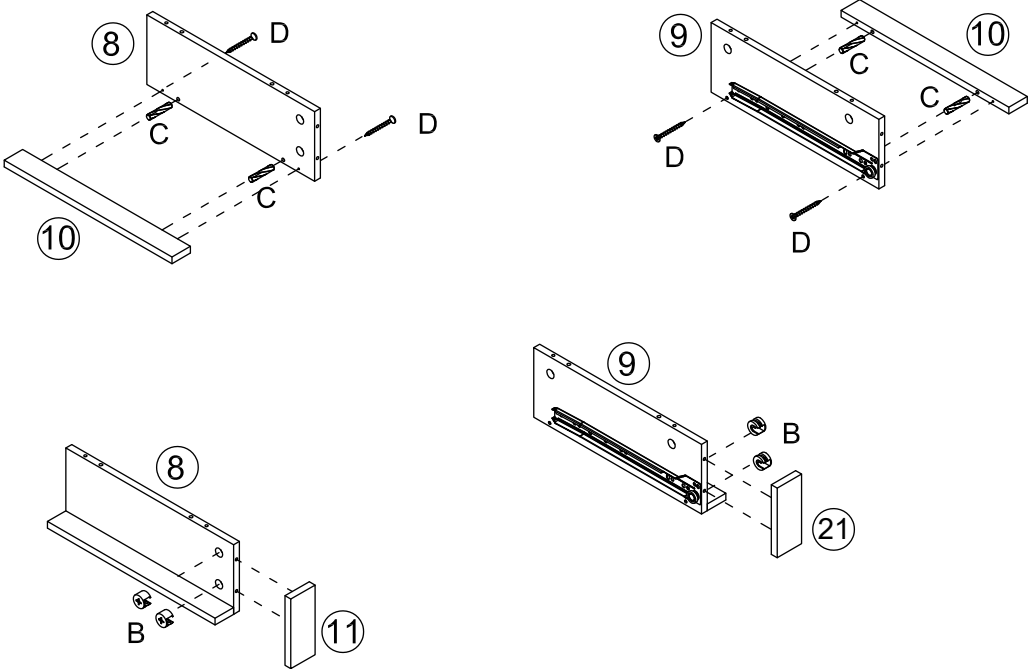
G x8	H x8

# Step 8



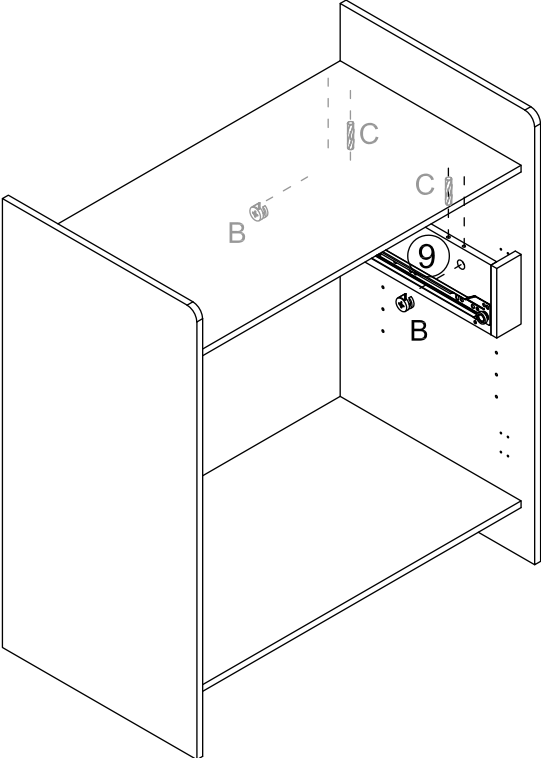
A x4	M x6	CL x1	CR x1

# Step 9



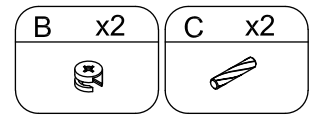
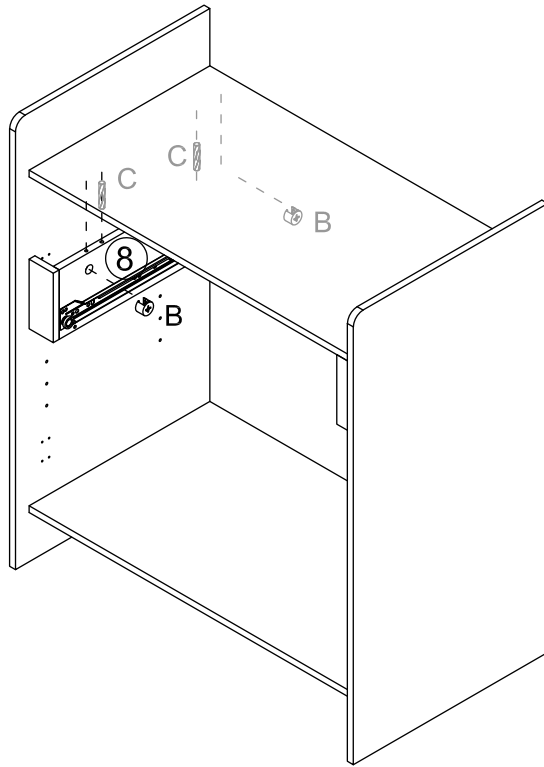
D x4	B x4	C x4

# Step 10

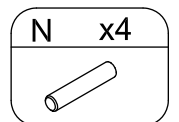
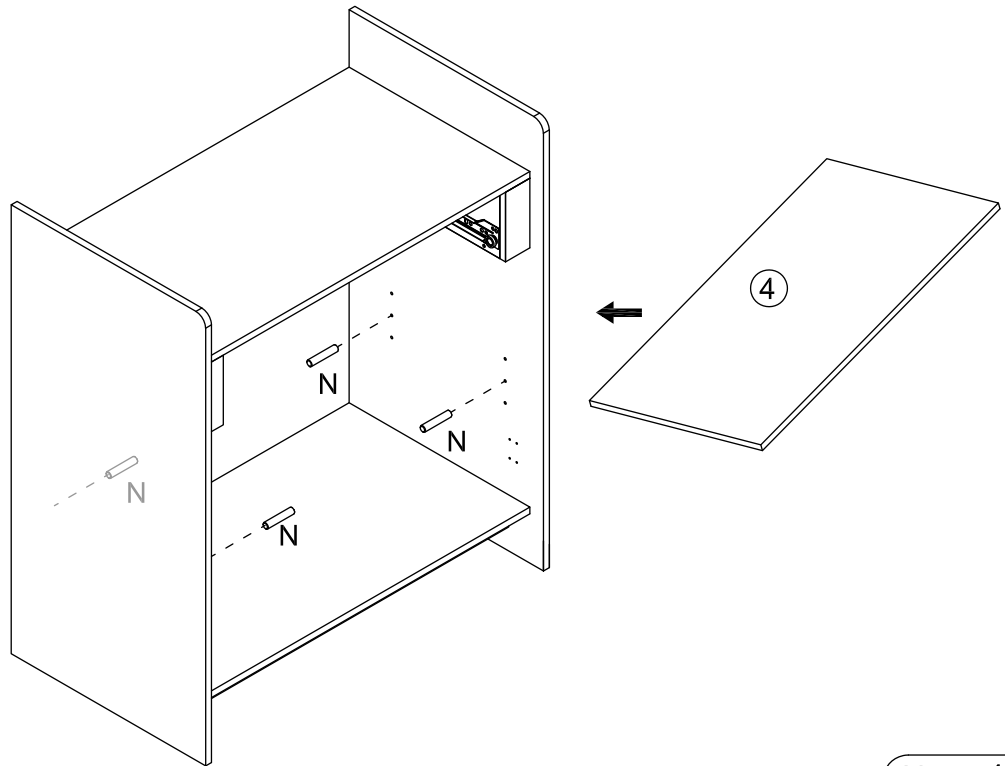


B x2	C x2

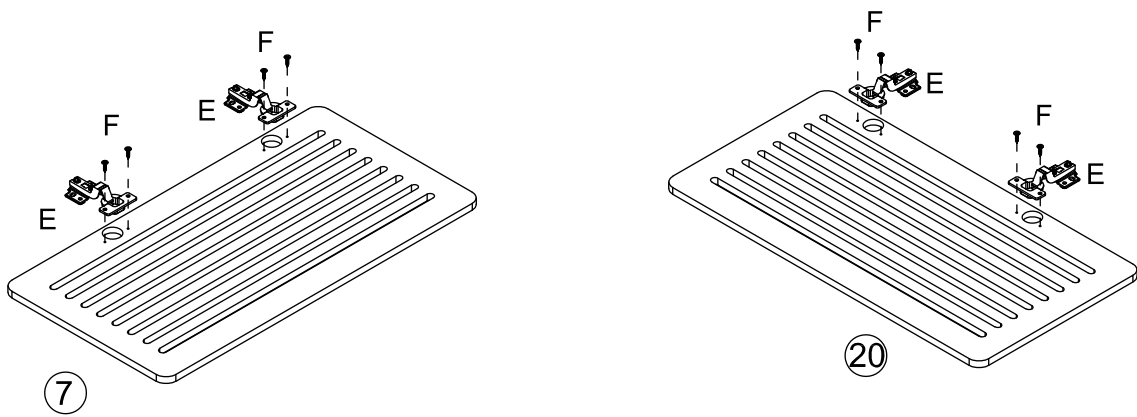
# Step 11





# Step 12

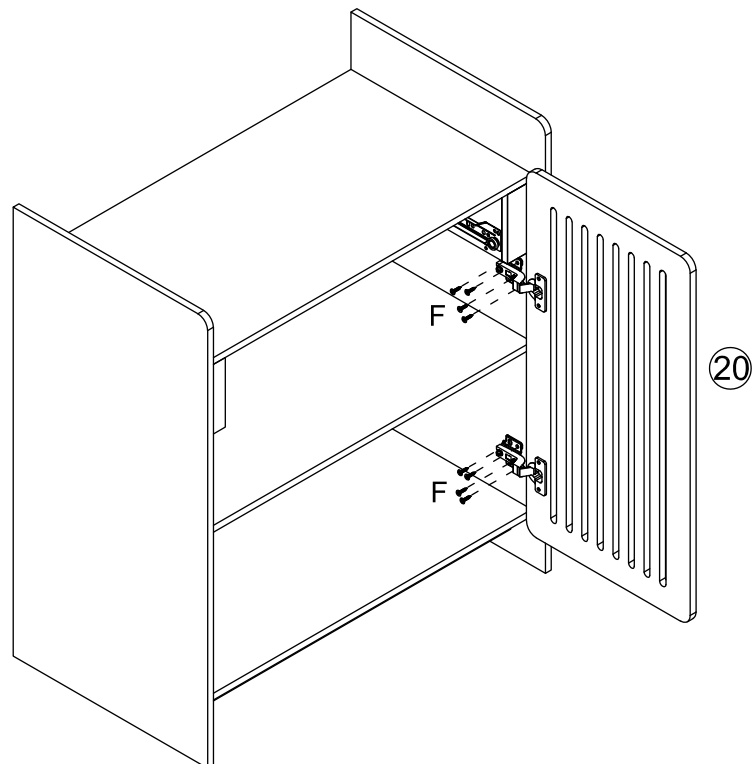



# Step 13



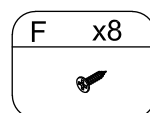
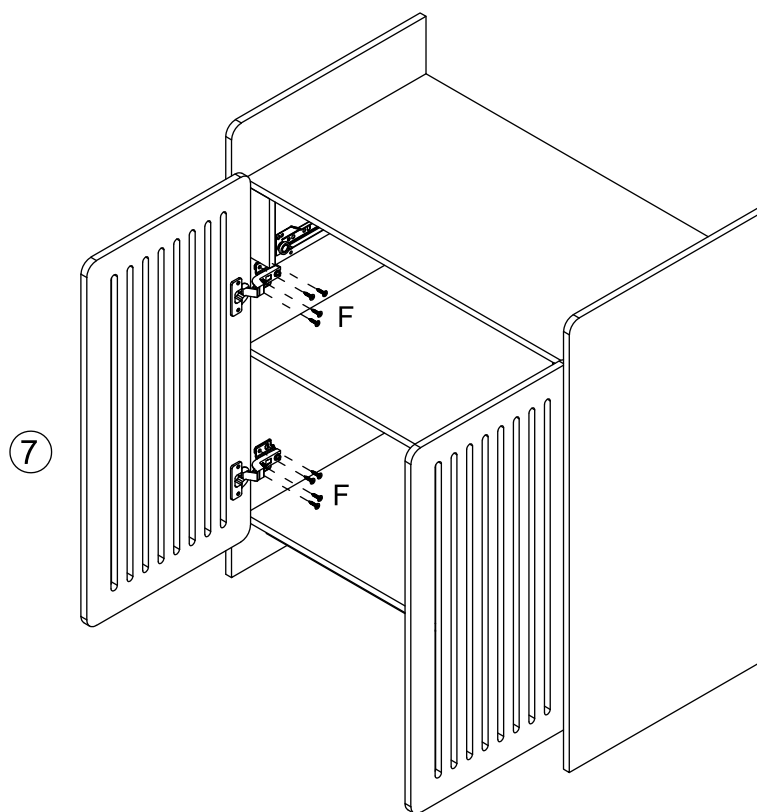
E	x4	F	x8
			

# Step 14

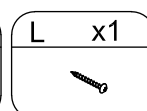
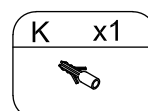
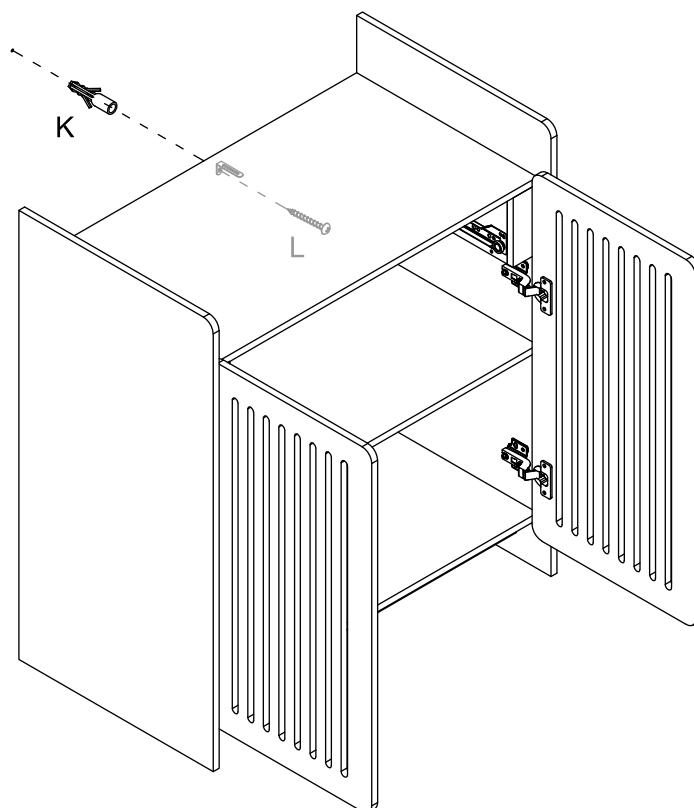


F	x8
	

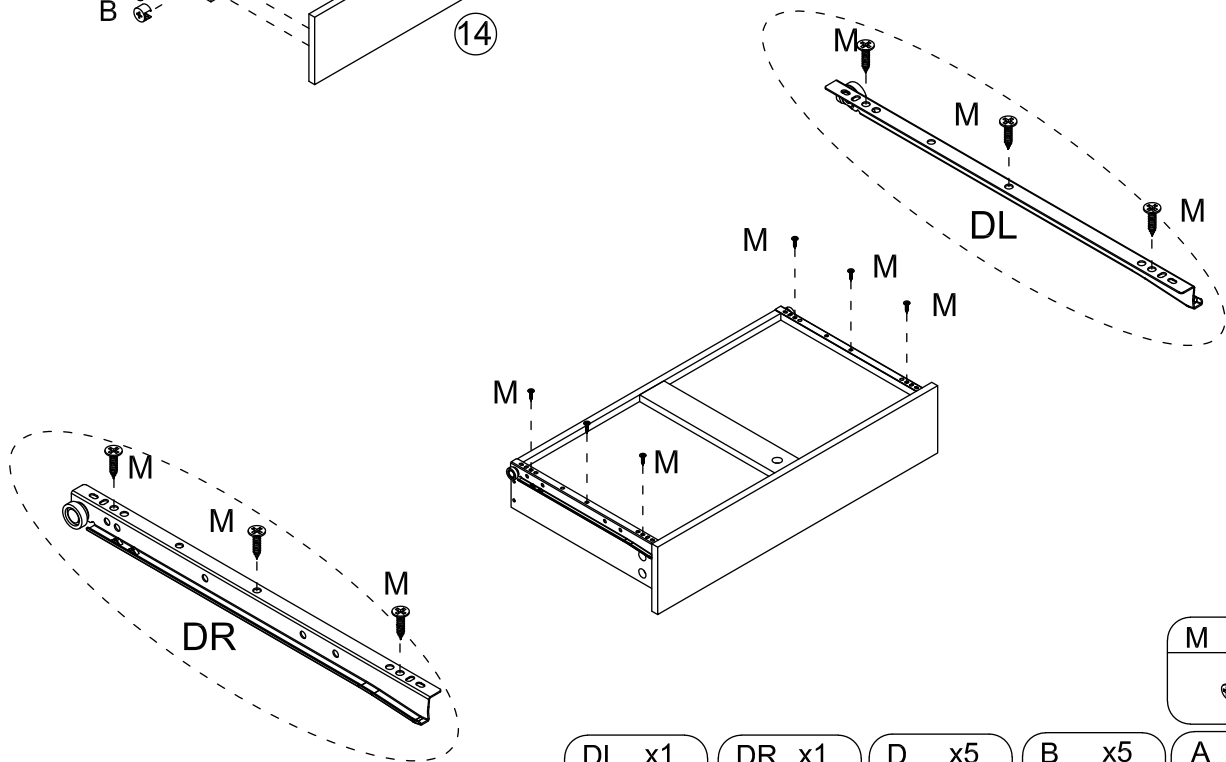
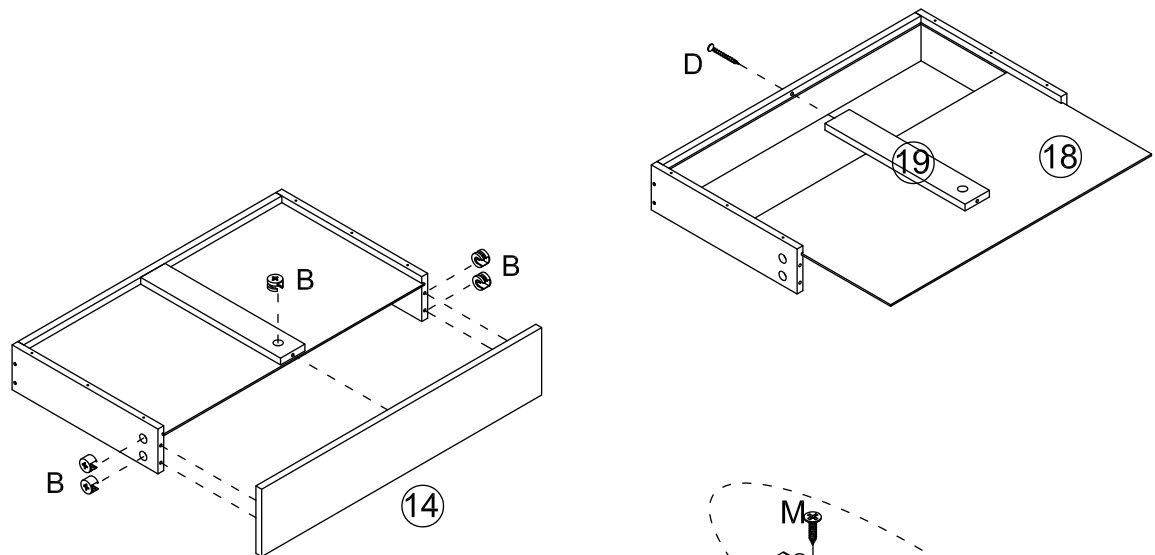
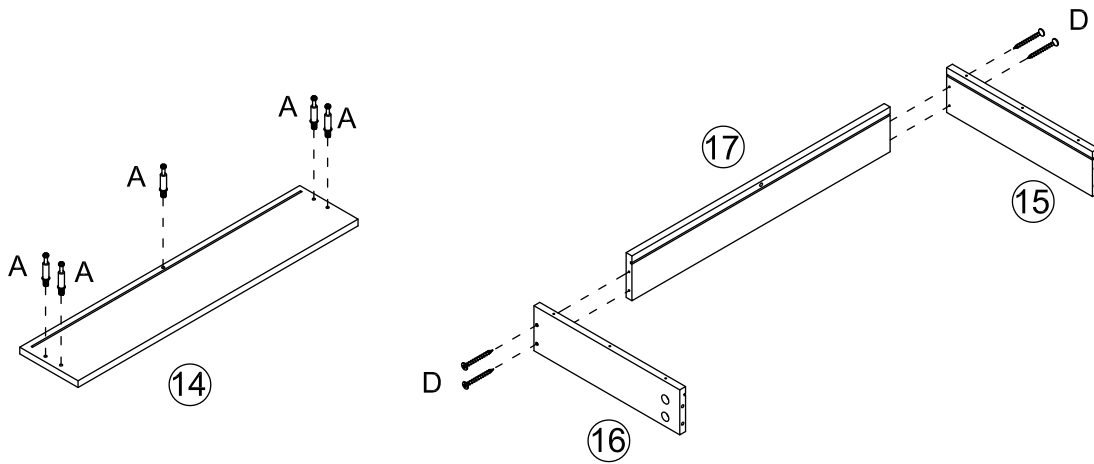
# Step 15



# Step 16

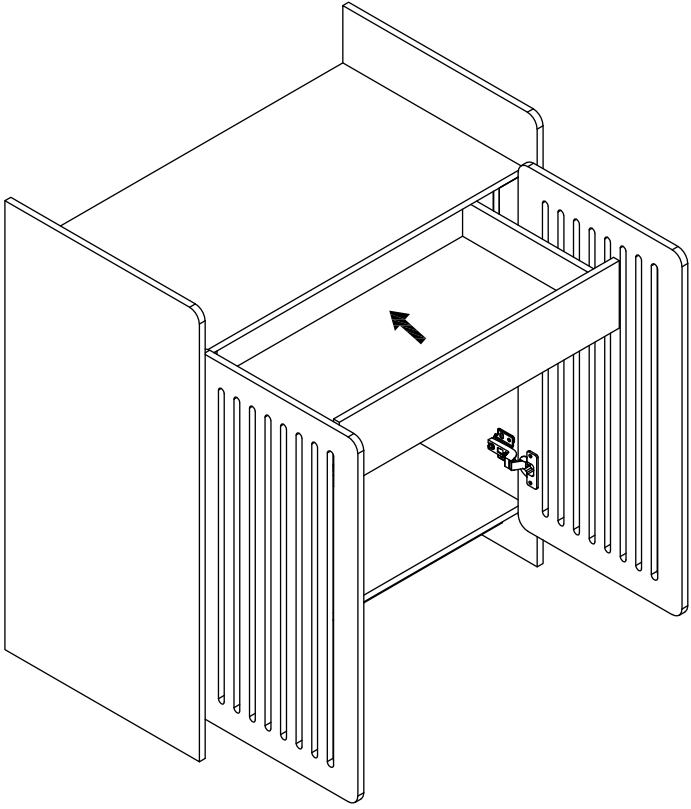


# Step 17



			M x6	
DL x1	DR x1	D x5	B x5	A x5

# Step 18



# Step 19

