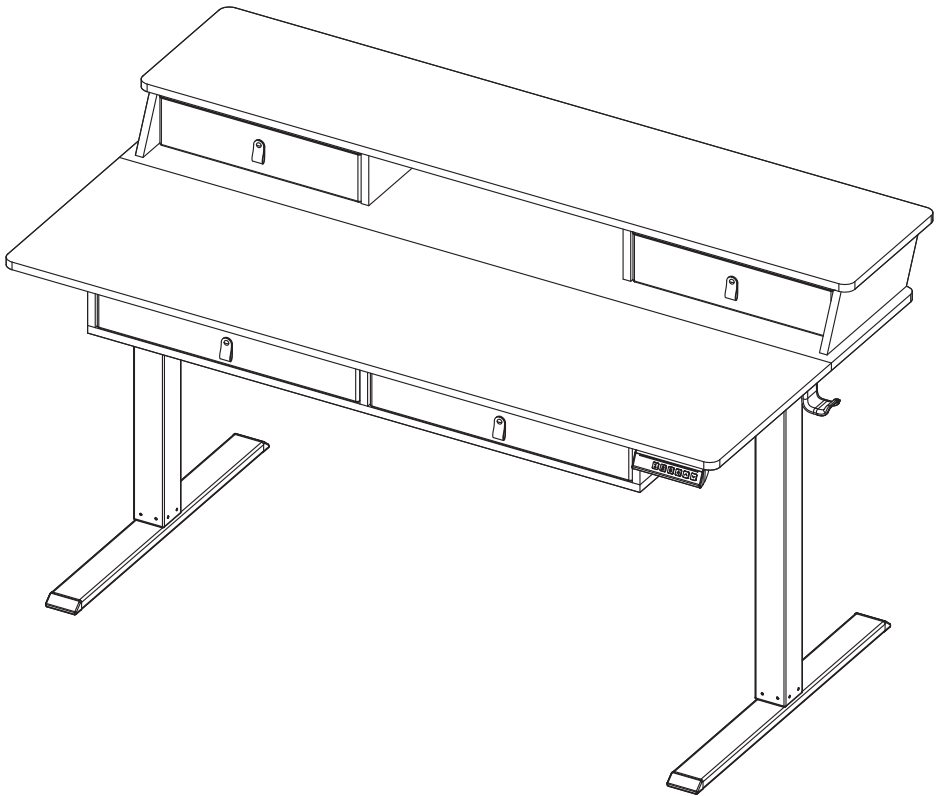


Electric Standing Desk

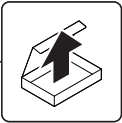
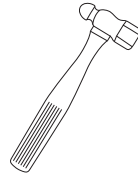
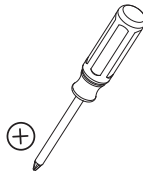
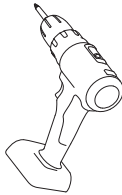




Height Adjustment Range
27.9–46.8" (71-119cm)



Power Input
100V-240V



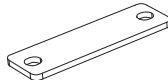
M6 × 30mm

A x 9



M6 × 10mm

B x 10



C x 4



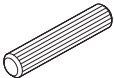
ST5 × 14mm

D x 36



5/32" (4mm)

F x 1



G x 18



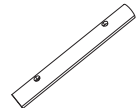
H x 4



I x 1



K1 x 2



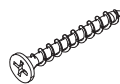
K2 x 1



L1 x 12



L2 x 12

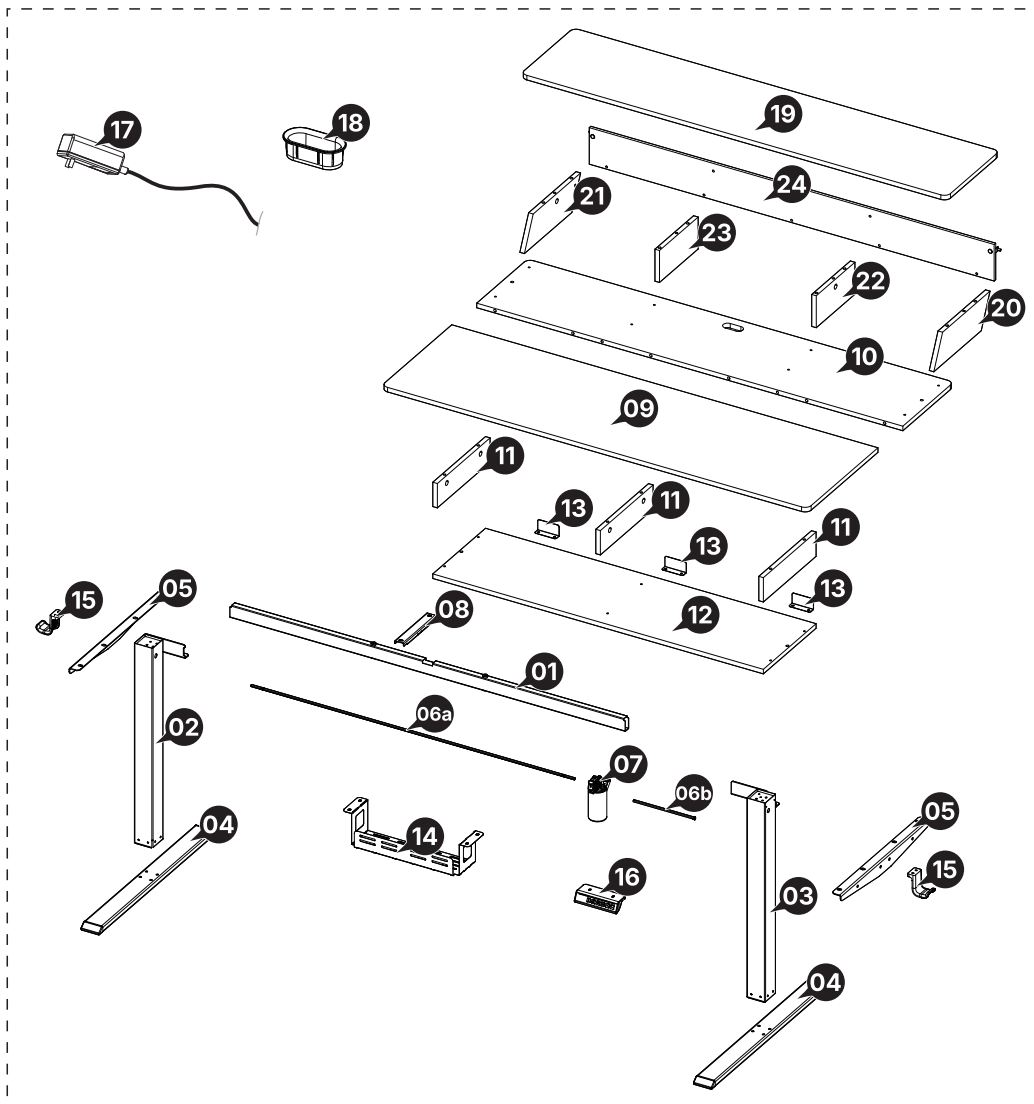


ST4 × 35mm

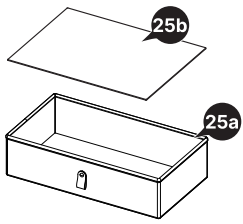
M x 14



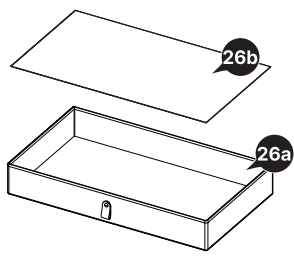
N x 7



x2

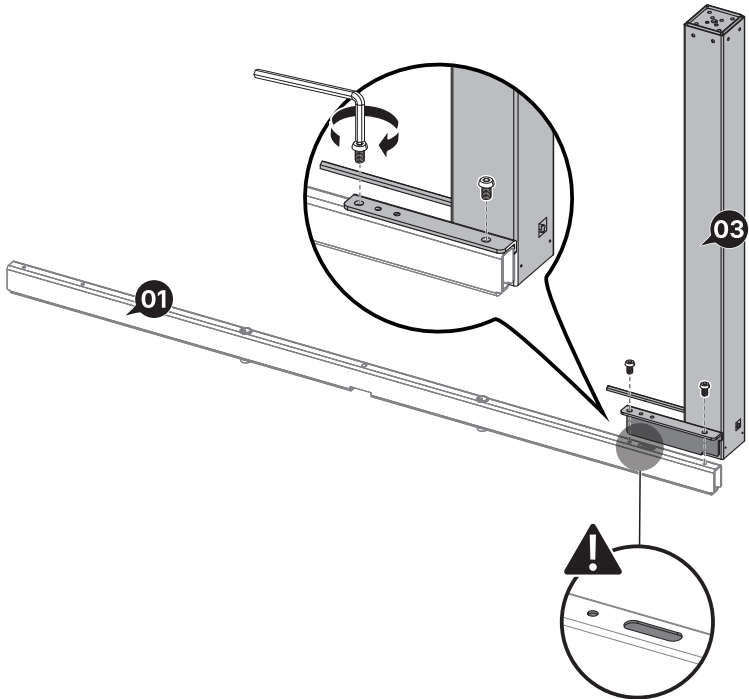
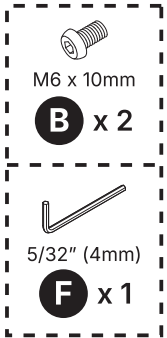
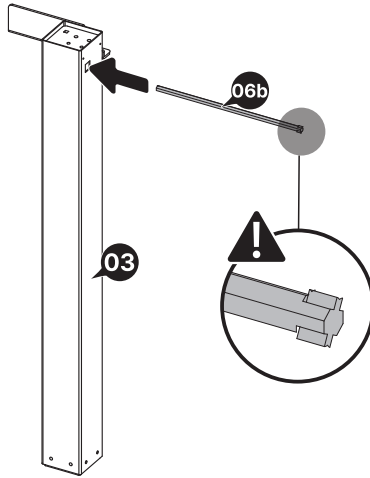


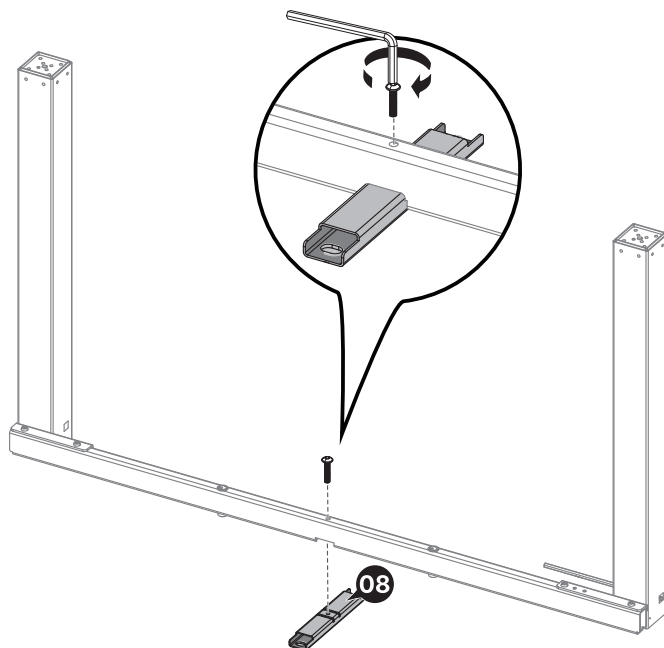
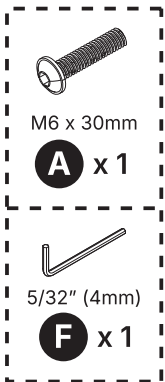
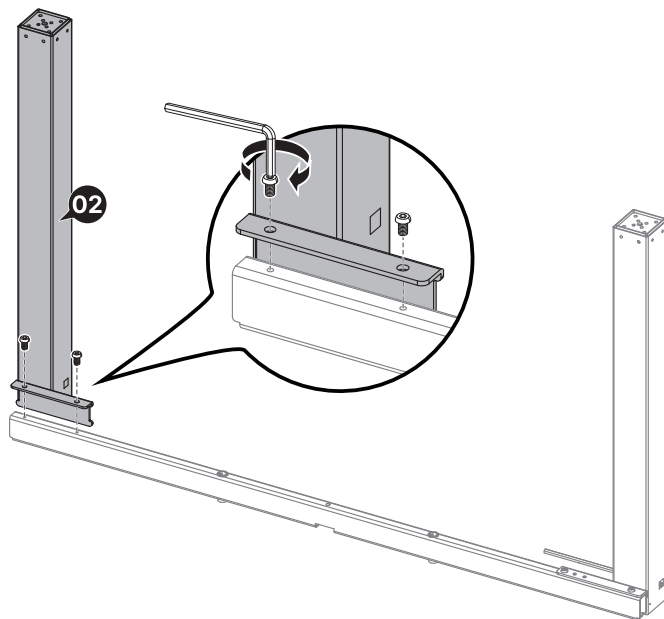
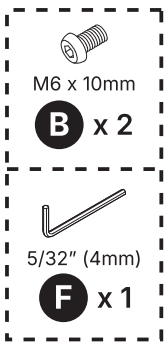
x2

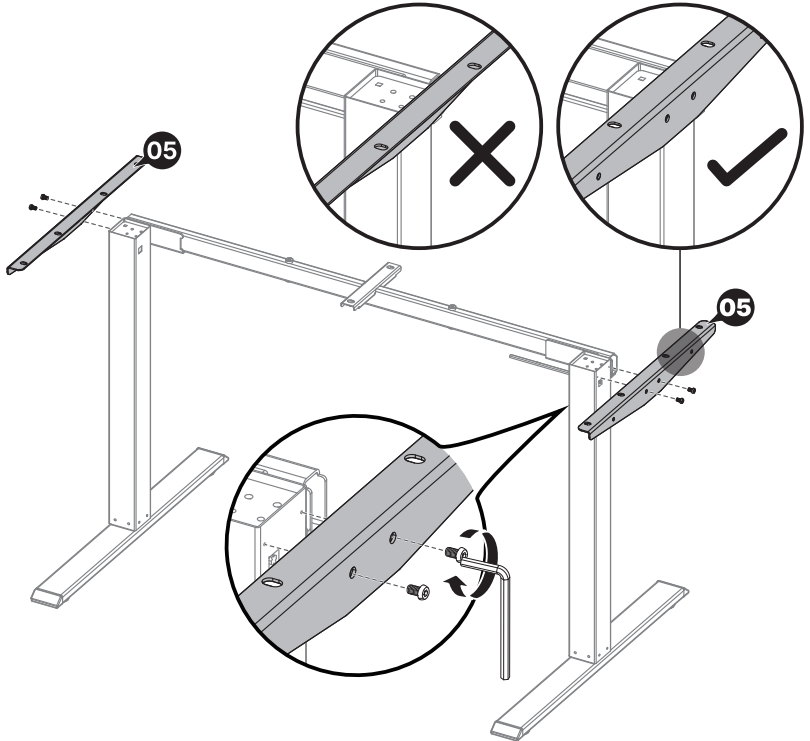
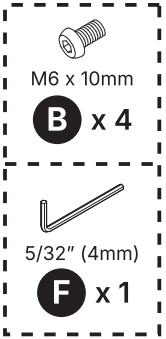
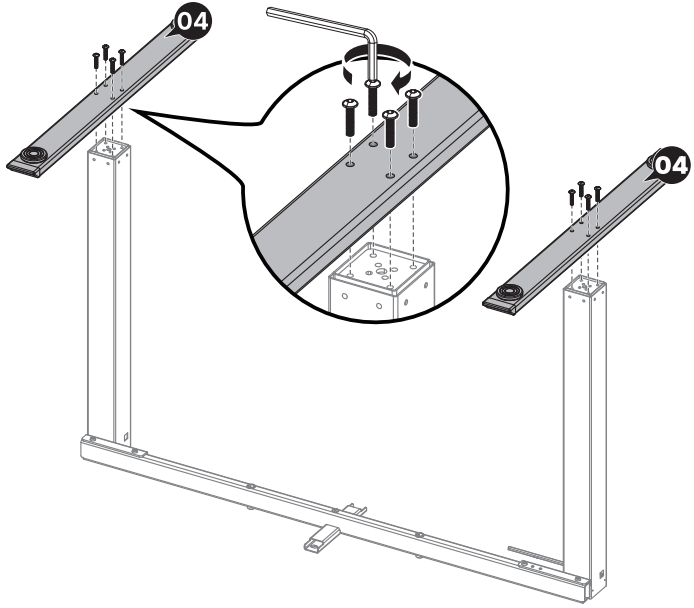
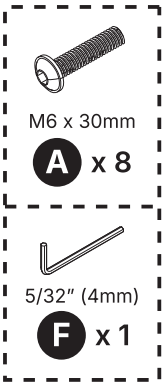


1

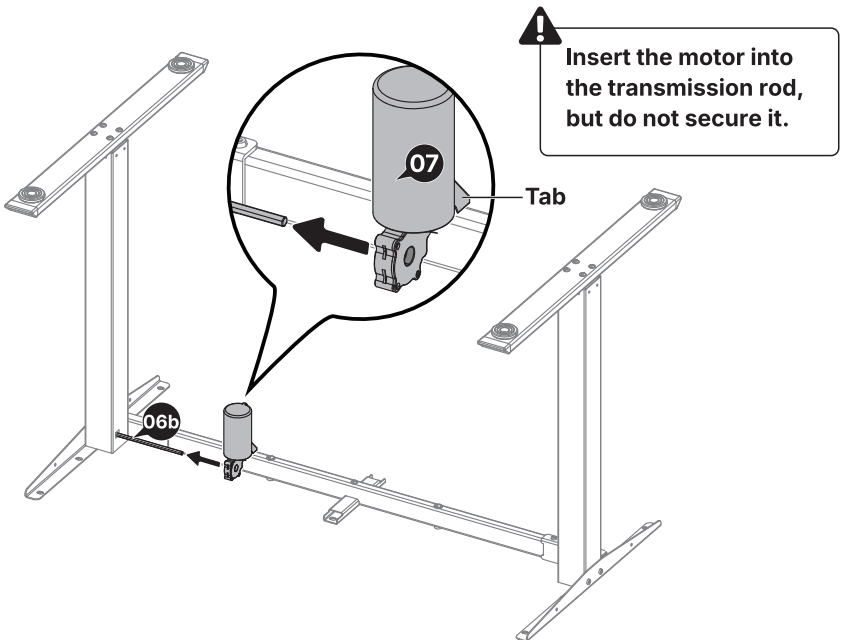
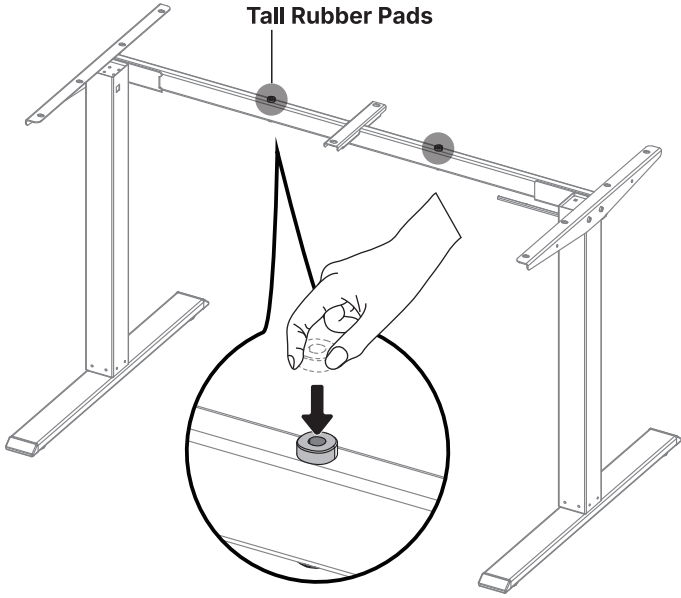
Assembling the Frame

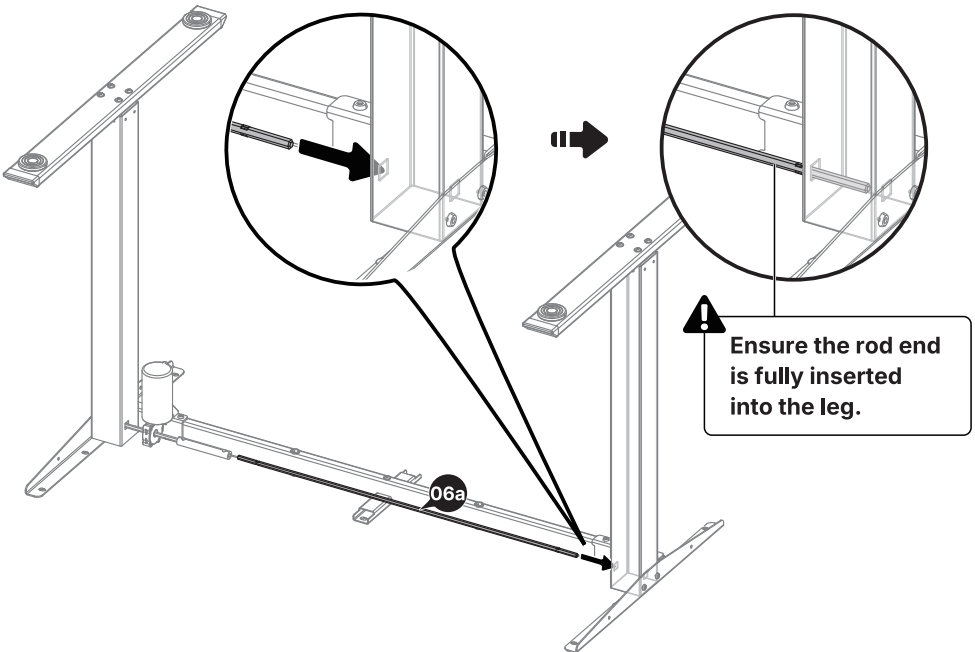
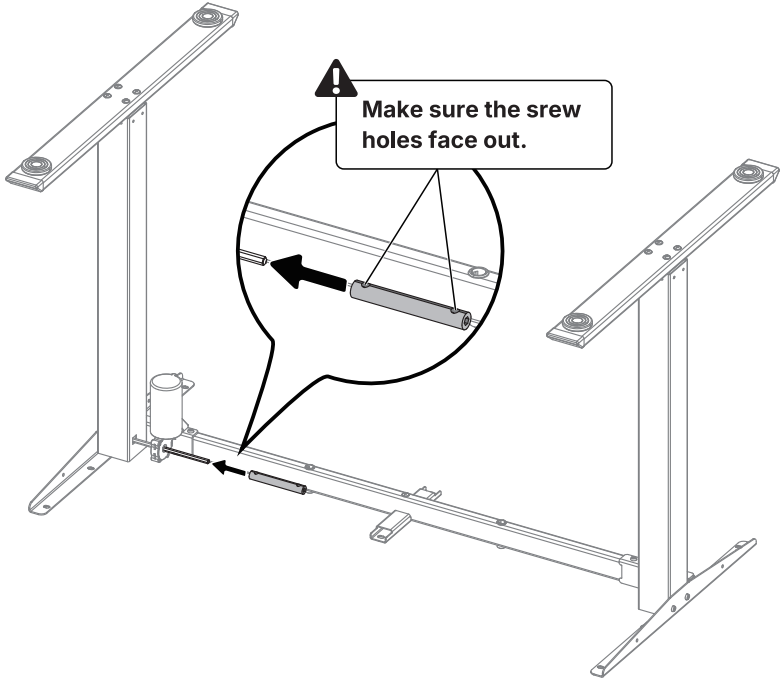
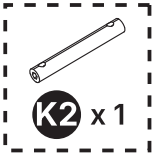






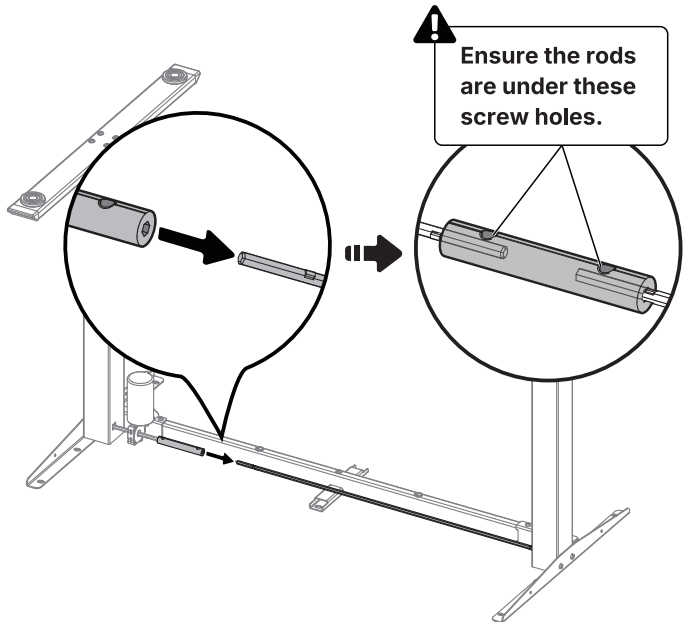
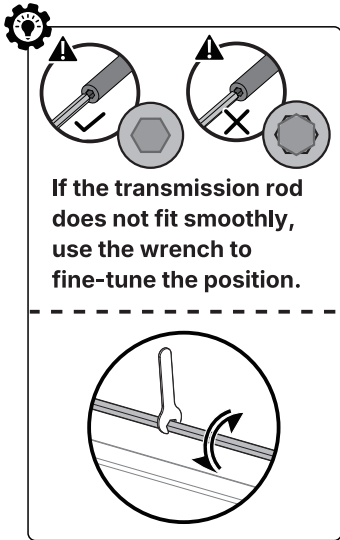
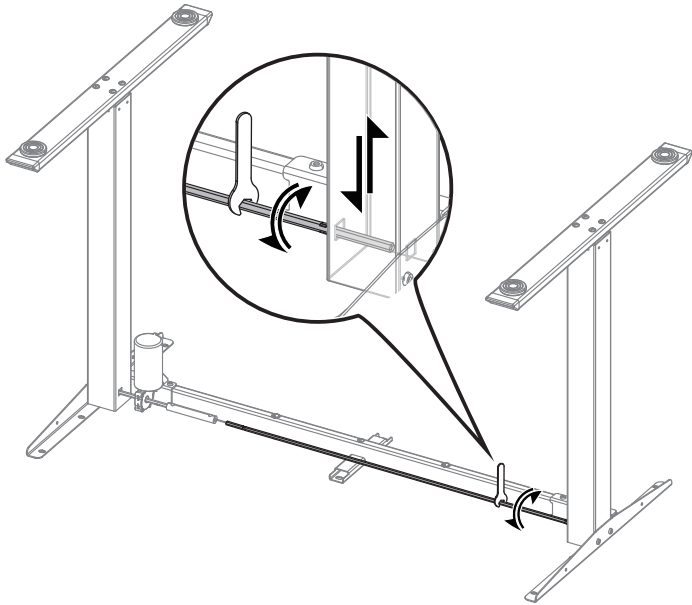
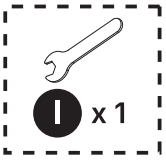
Ensure the rubber pads are attached to the frame. If any have fallen off, reattach them or use the spare rubber pads.

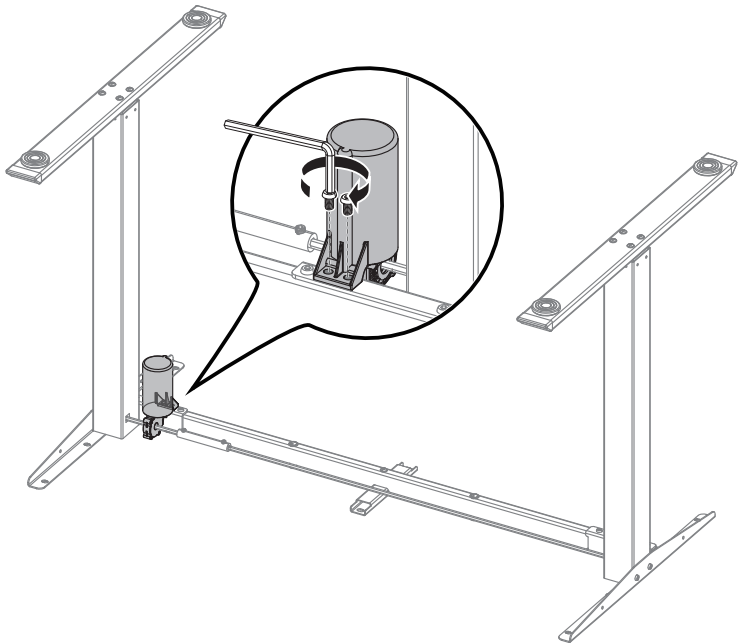
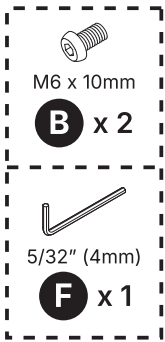
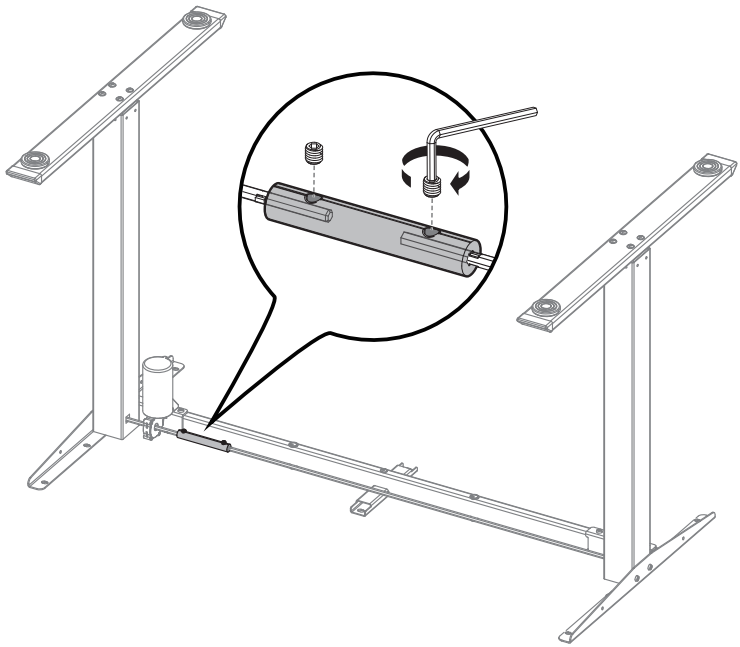
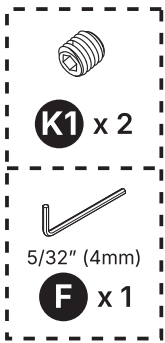




Adjust uneven desk legs if needed:

Measure the height of each leg to see if they are set at the same level. If not, turn the rod to raise or lower the leg until it's level with the leg with motor.





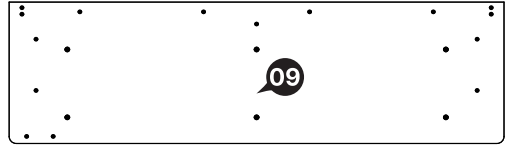
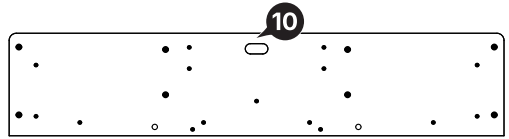
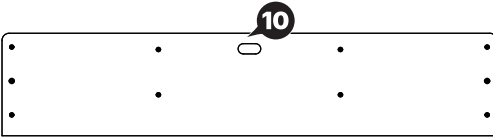
2

Assembling the Desktop

For 55" long desk

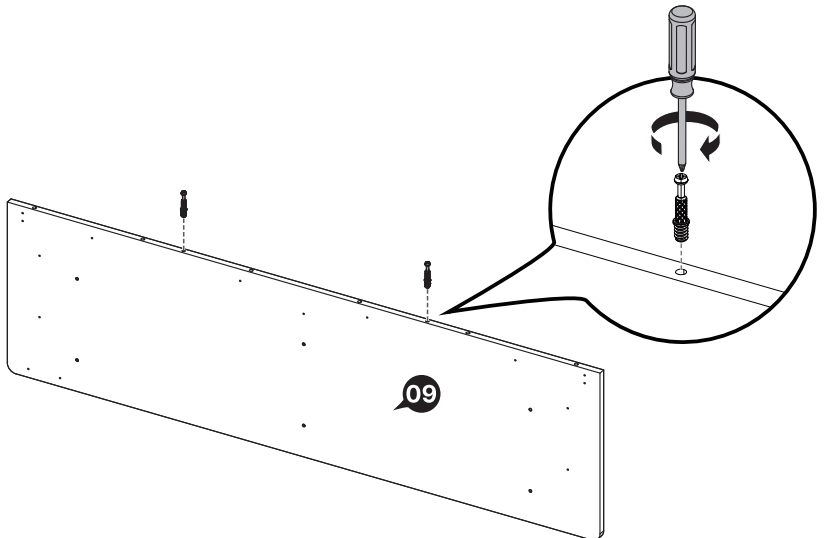
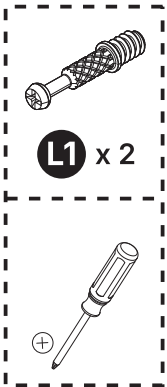


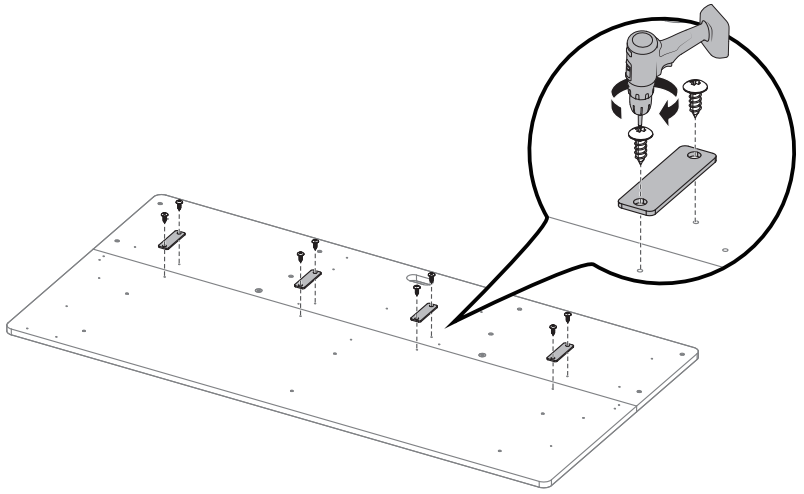
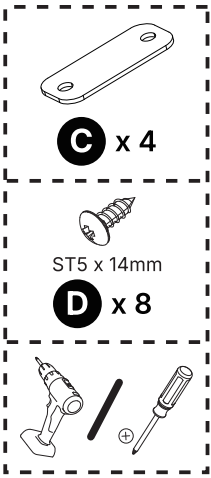
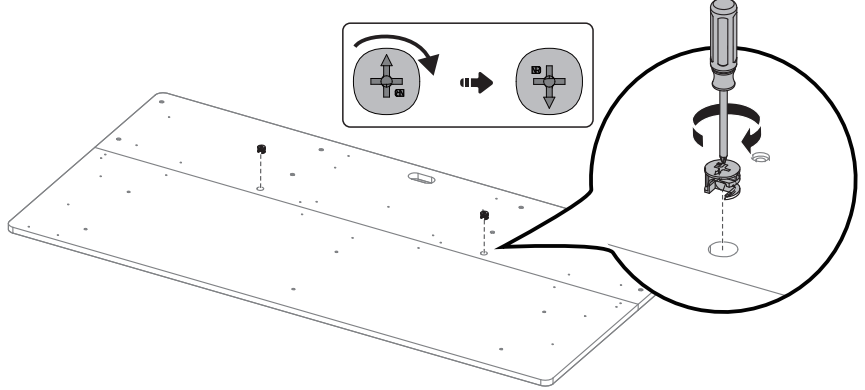
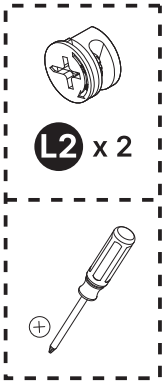
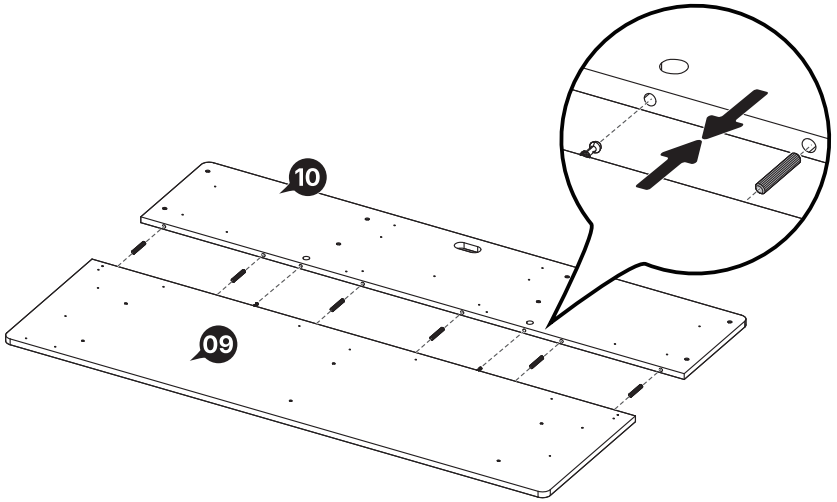
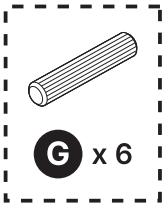
The dots below indicate pre-drilled hole locations.



Top

Bottom

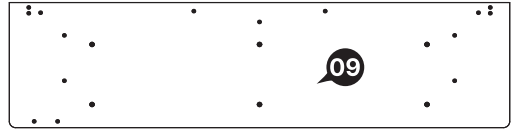
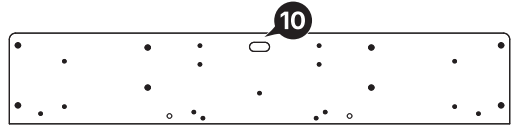
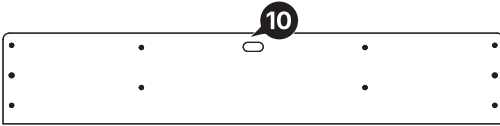




For 63" long desk

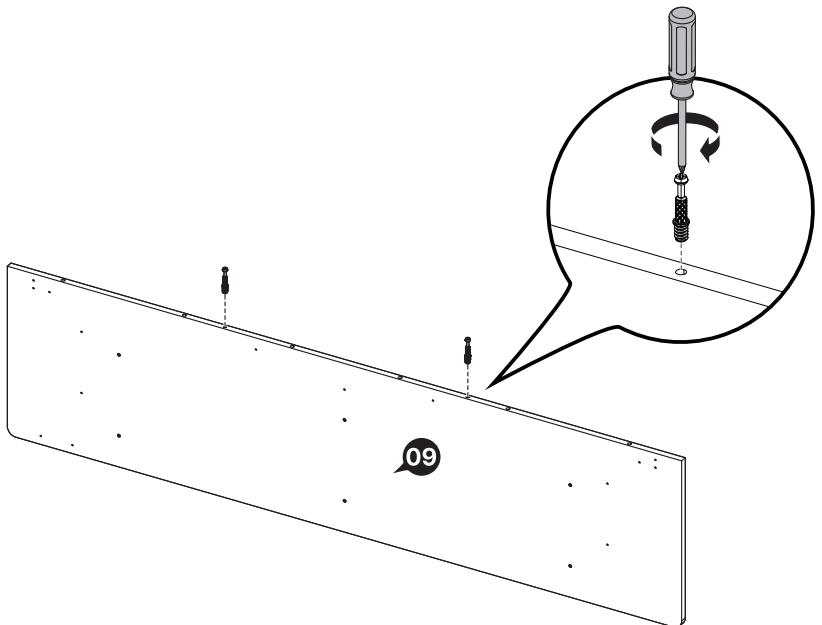
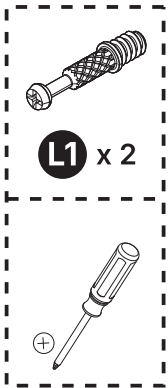


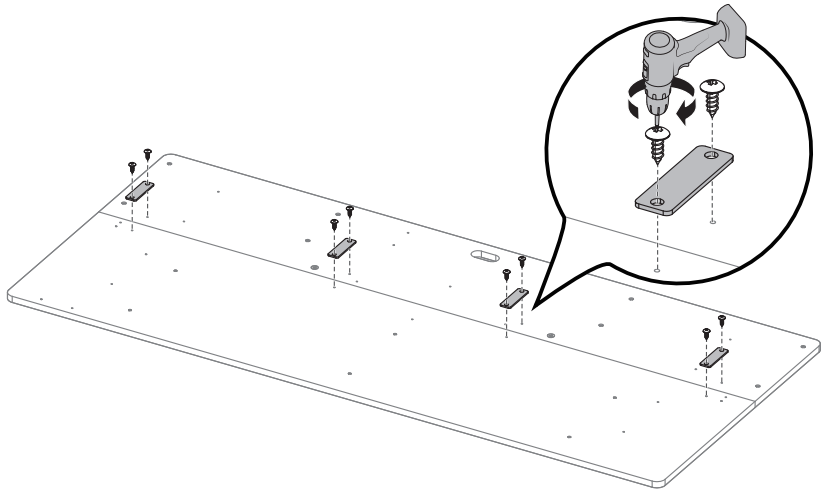
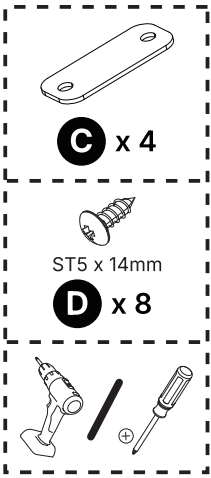
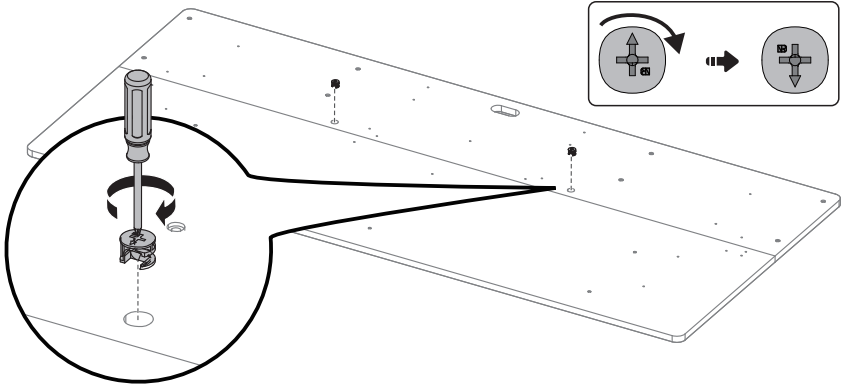
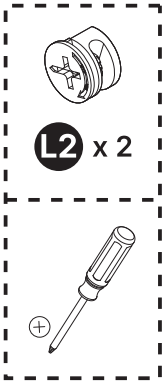
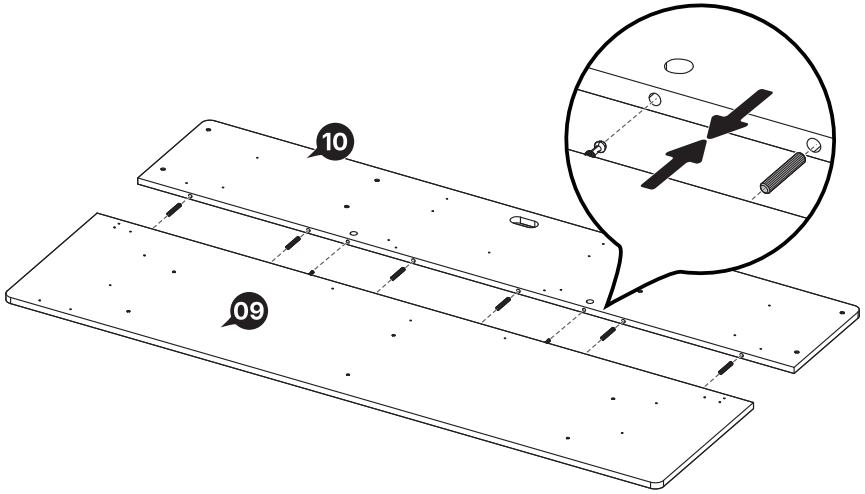
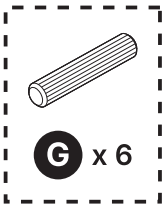
The dots below indicate pre-drilled hole locations.



Top

Bottom



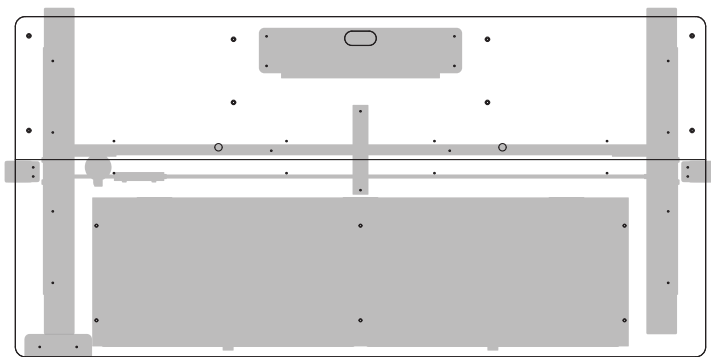


3

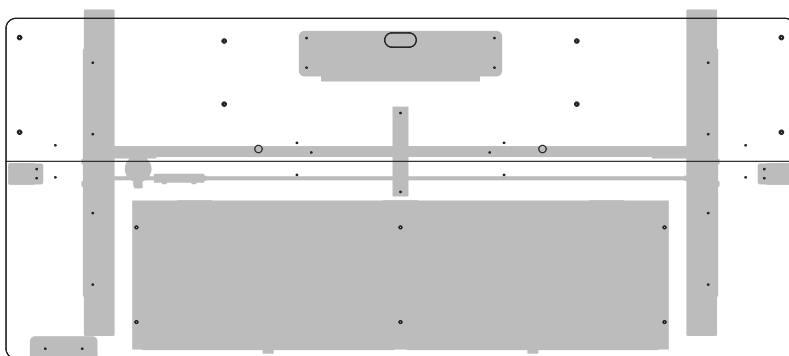
Attaching the Desktop and Cable Management Tray

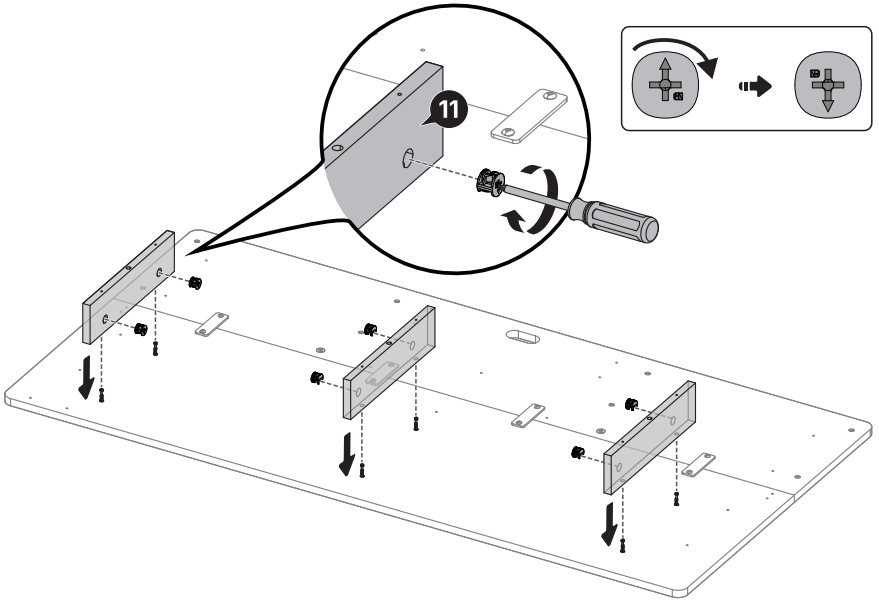
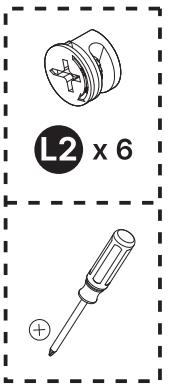
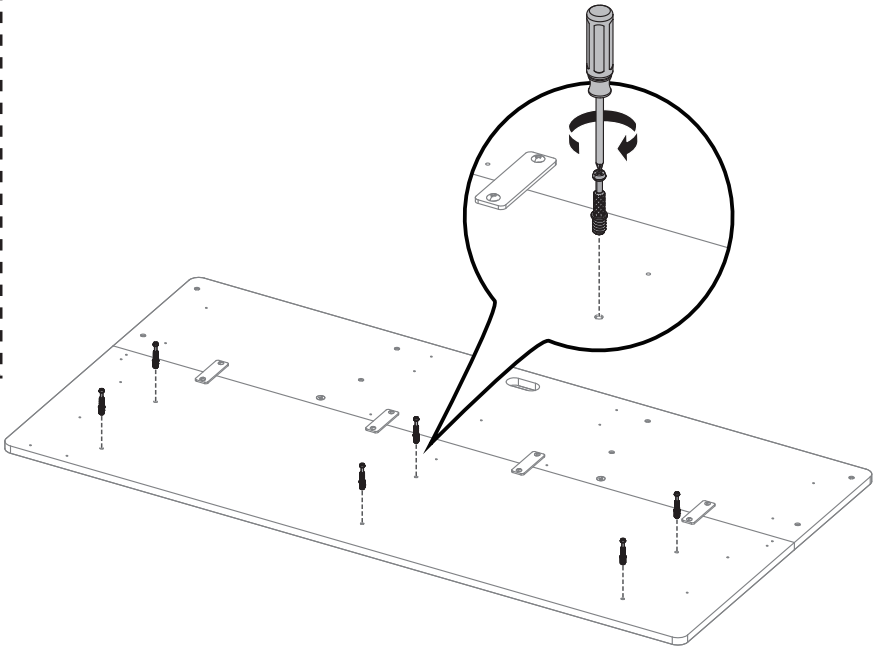
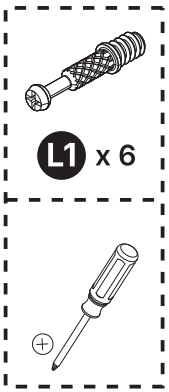
 Hole locations may vary for different products.

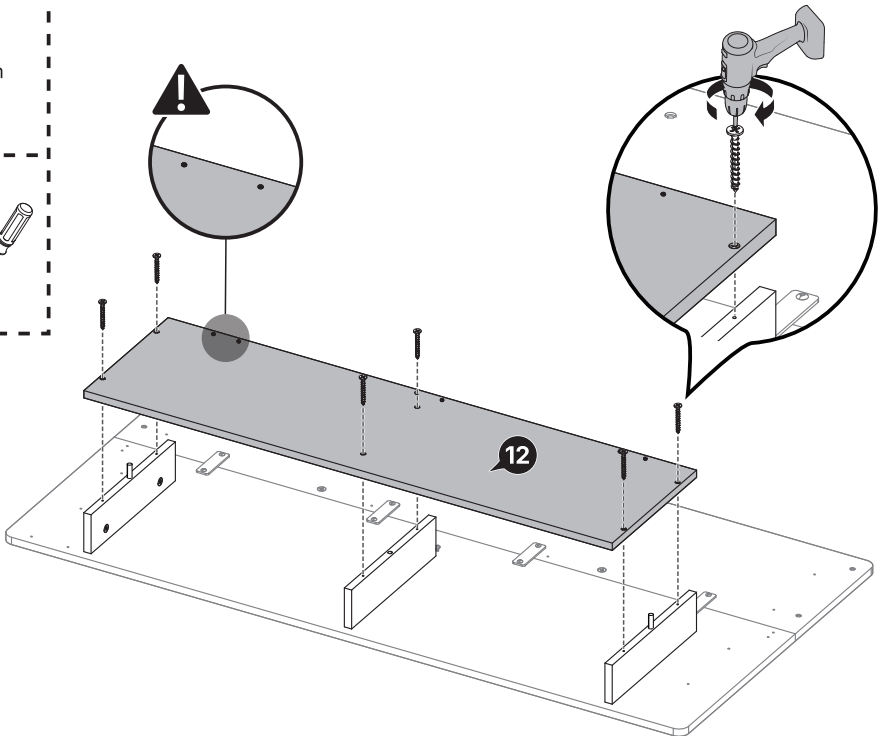
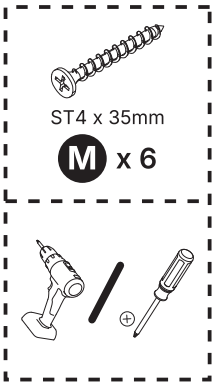
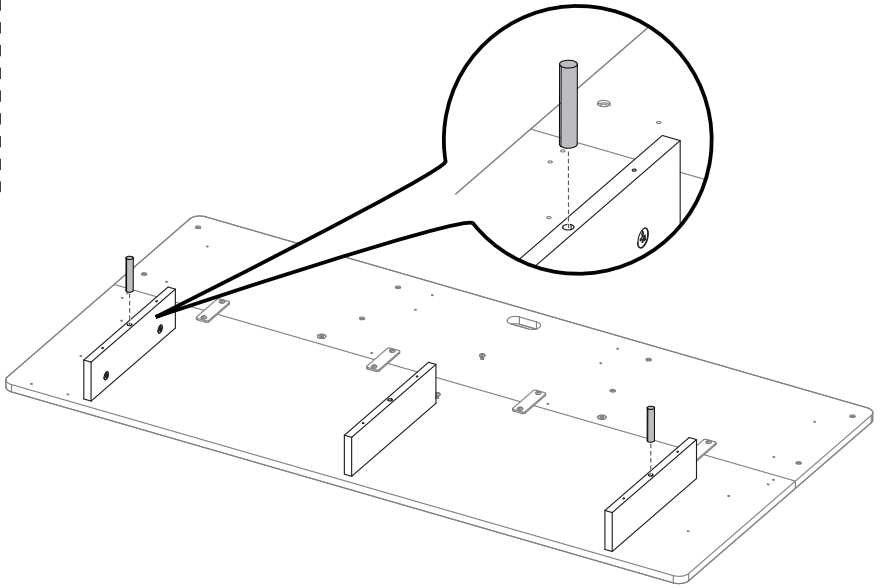
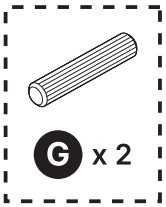
For 55" long desk

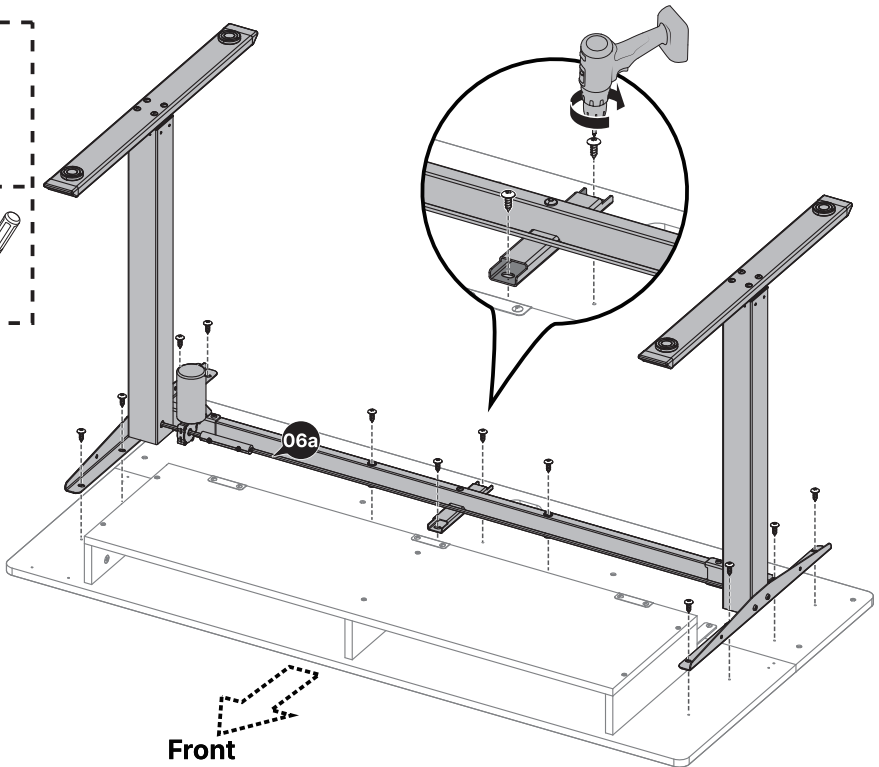
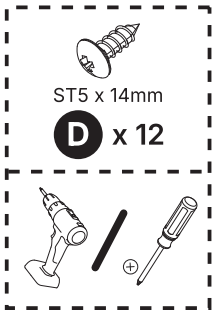
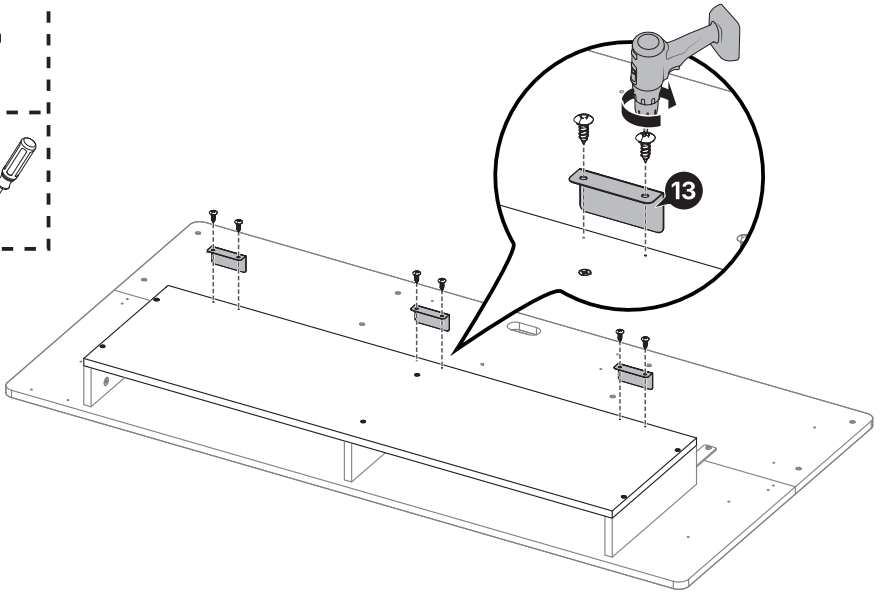
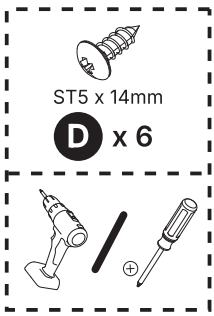


For 63" long desk

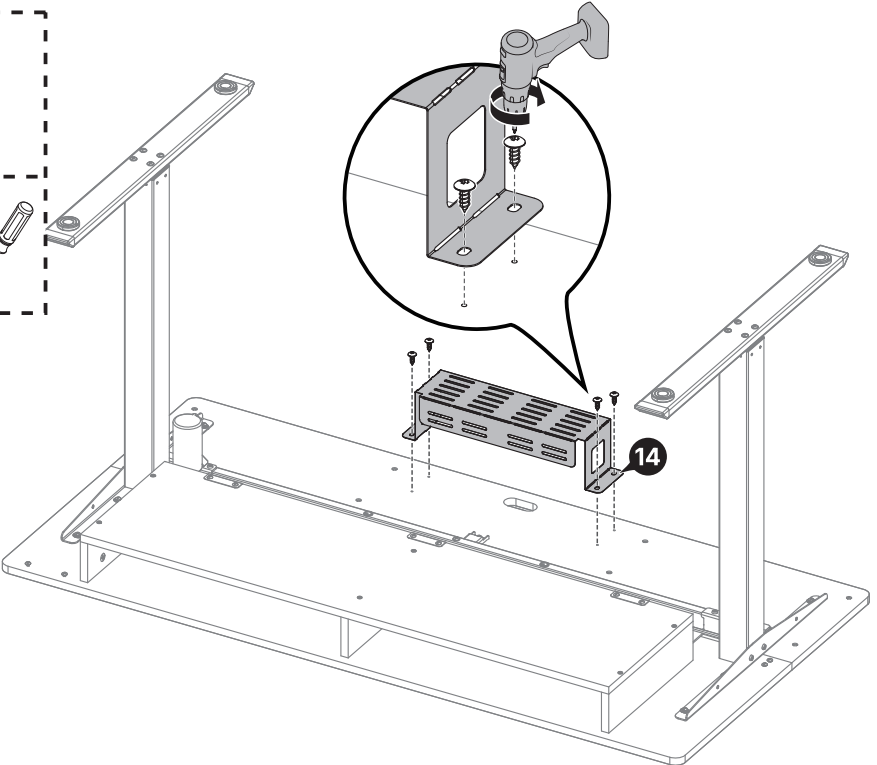
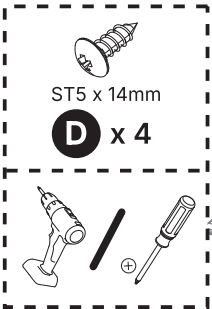
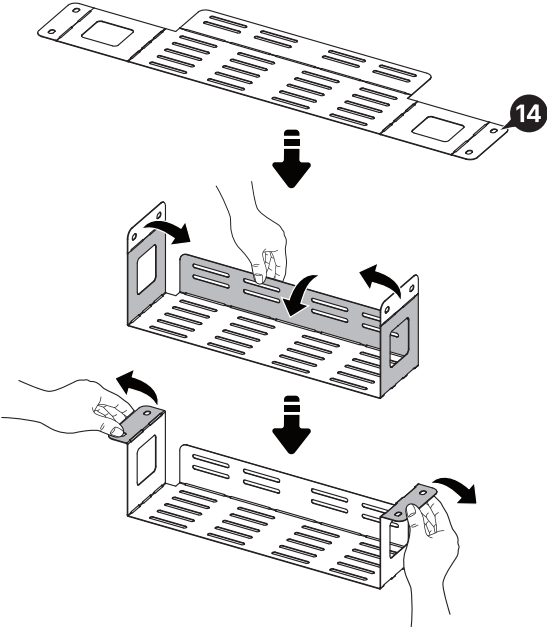






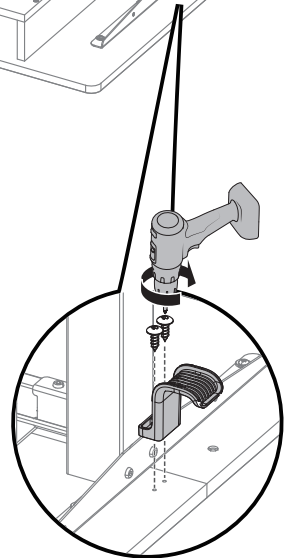
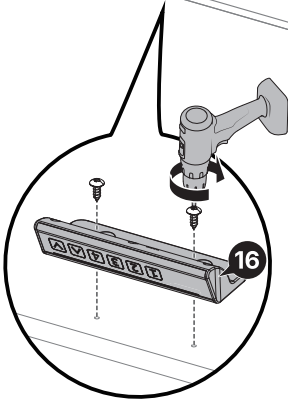
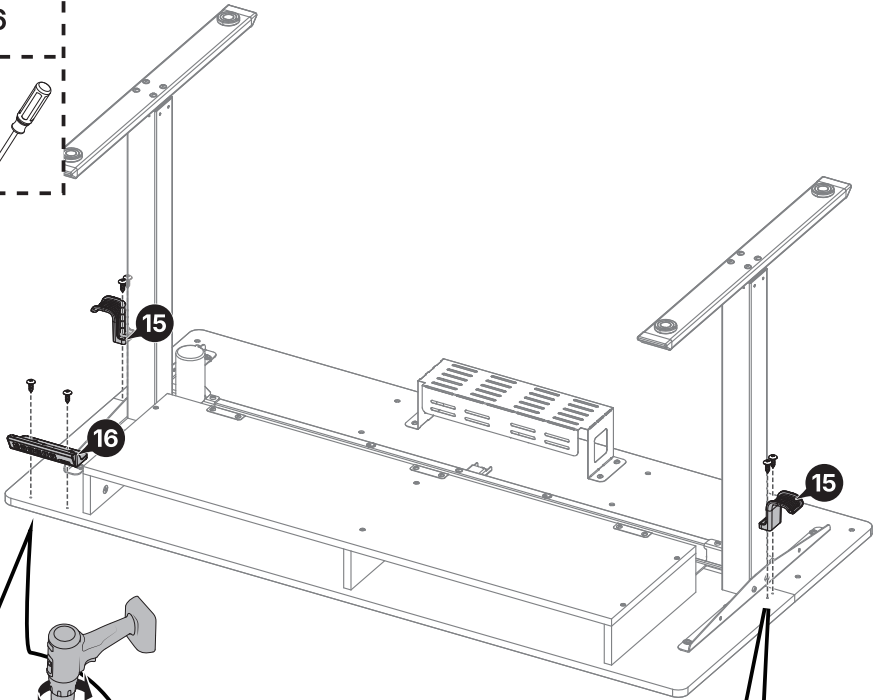
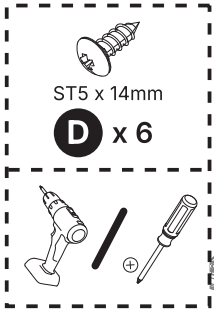


! Be careful not to cut your fingers.



4

Attaching Other Parts

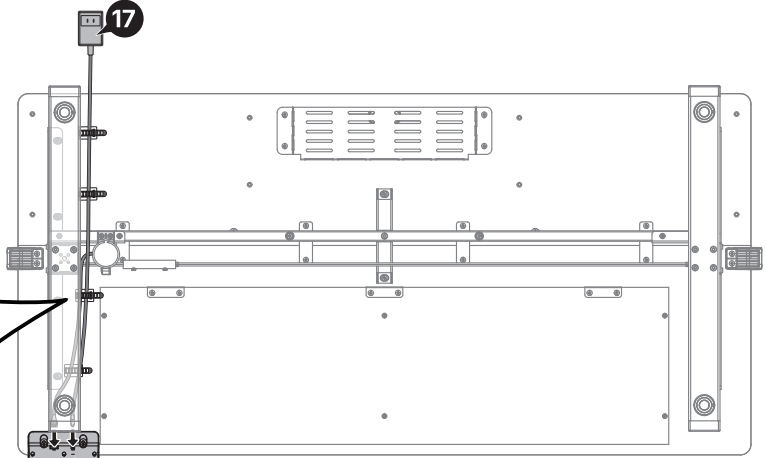
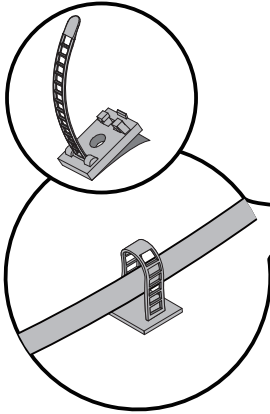


5

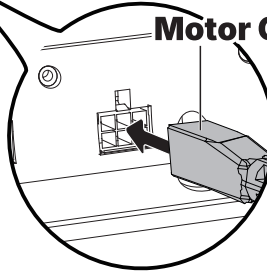
Connecting the Cables



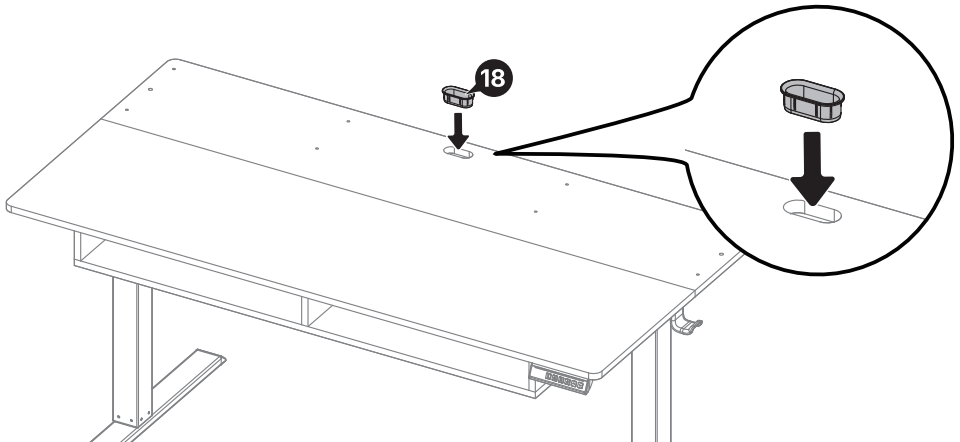
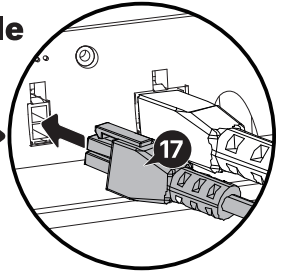
An example of a cable clip layout is indicated below. However, the cable clips can be arranged according to your needs.



When flipping the desk over, make sure the controller does not hit the ground, which could cause damage.

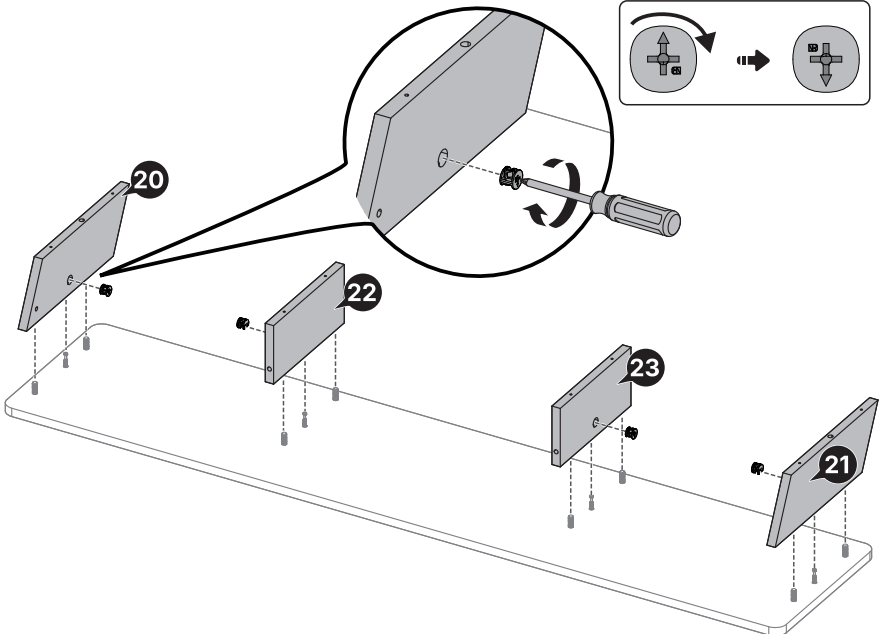
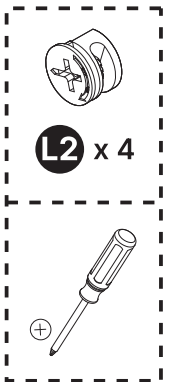
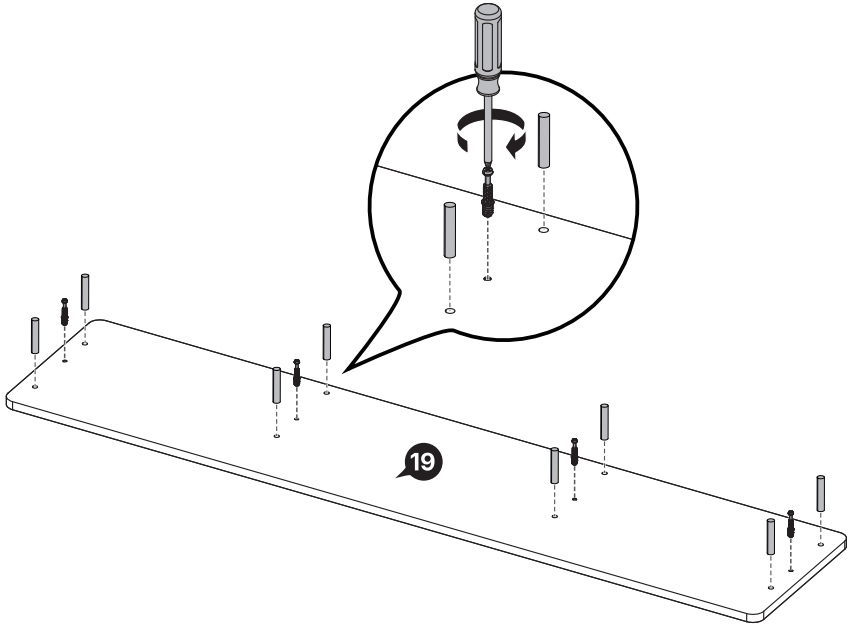
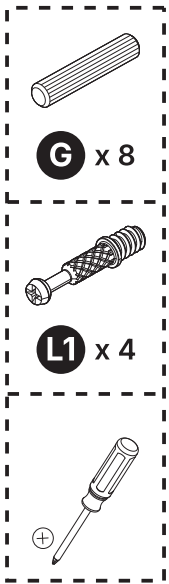


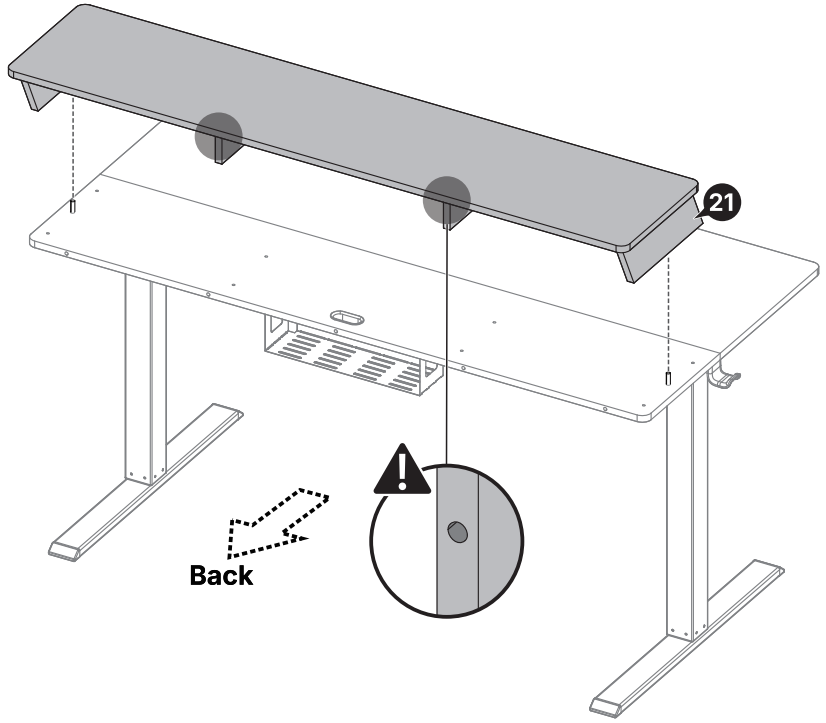
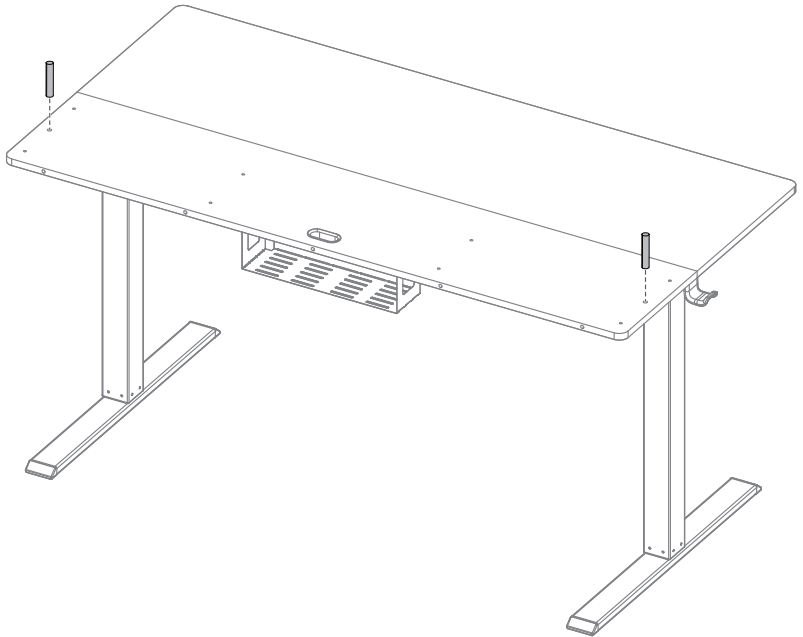
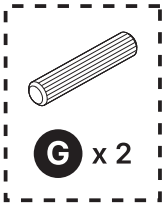
Motor Cable

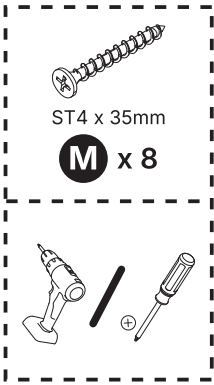


6

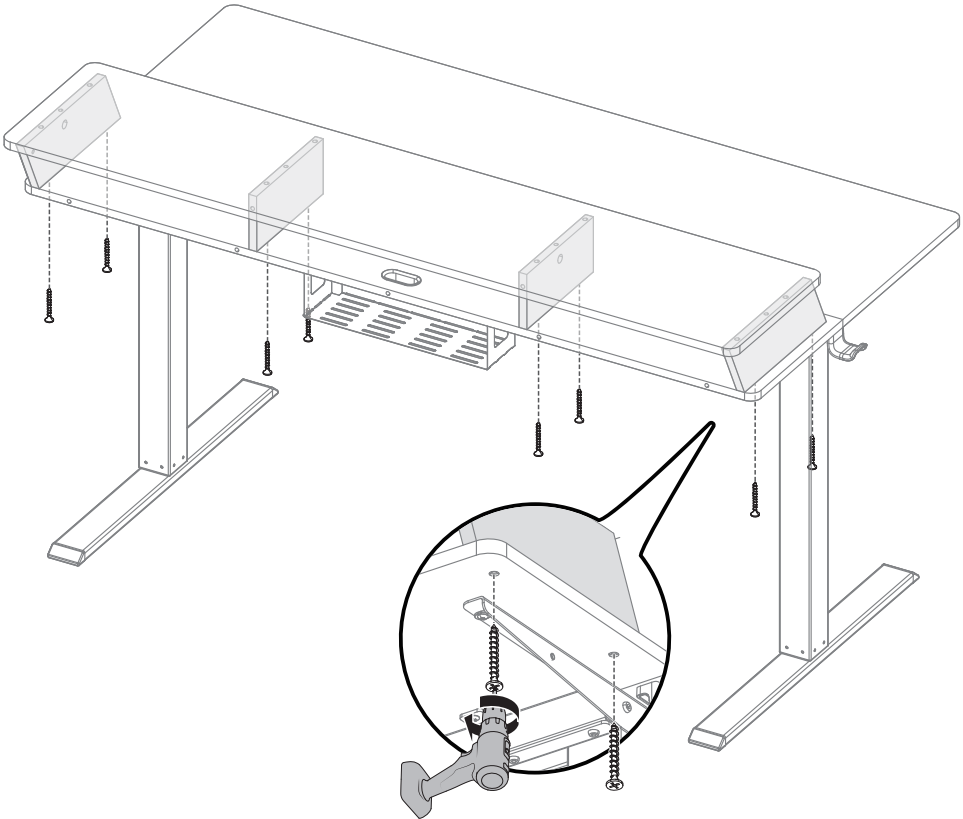
Attaching the Top Stand





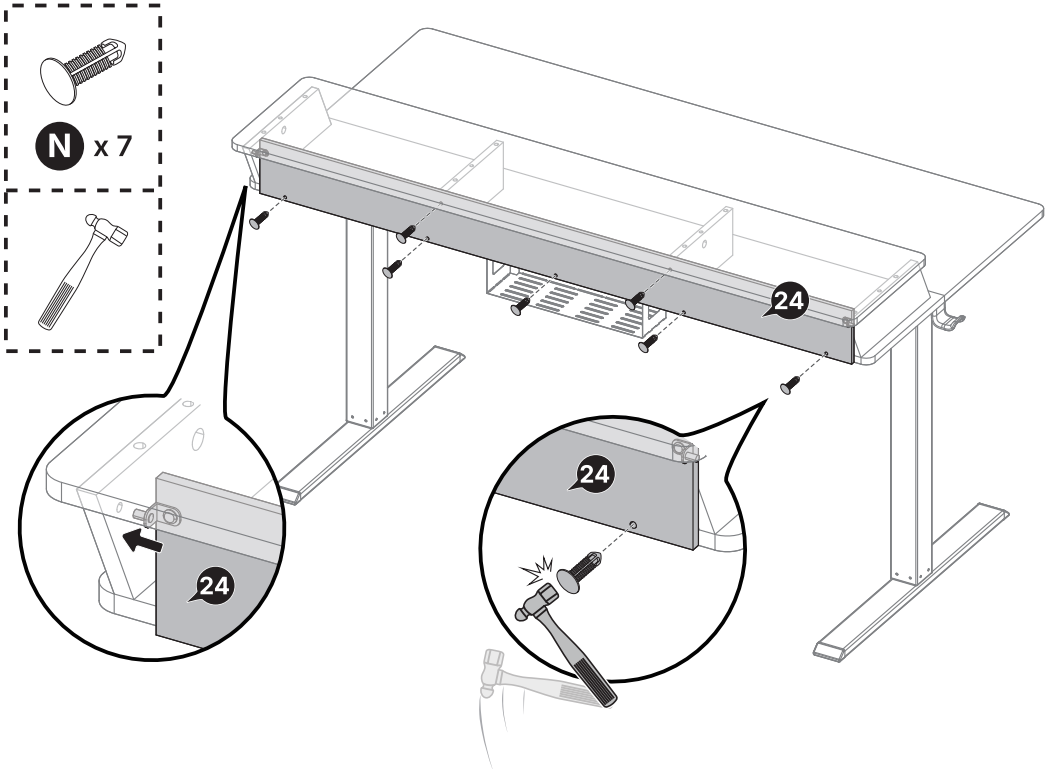


You can connect the power supply, then raise the desk for easier access.



7

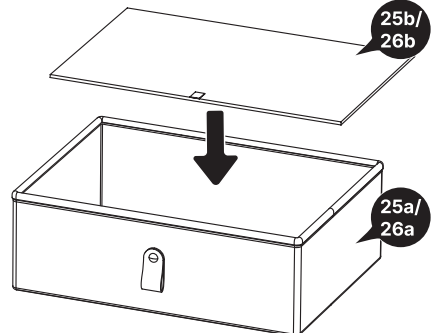
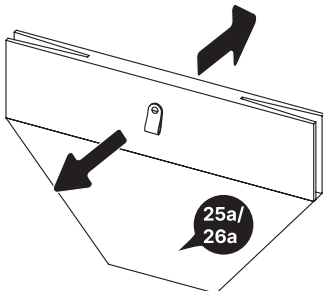
Attaching the Felt Backstop and Drawers

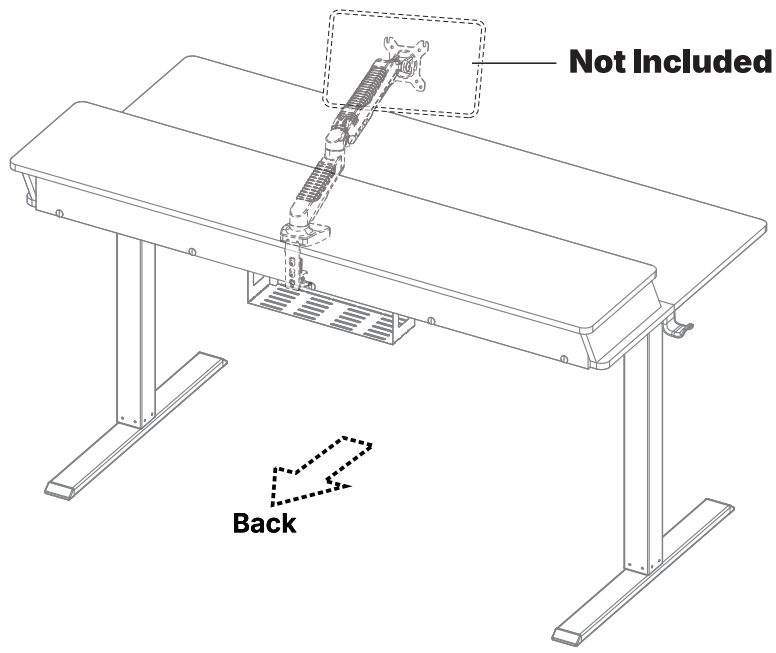
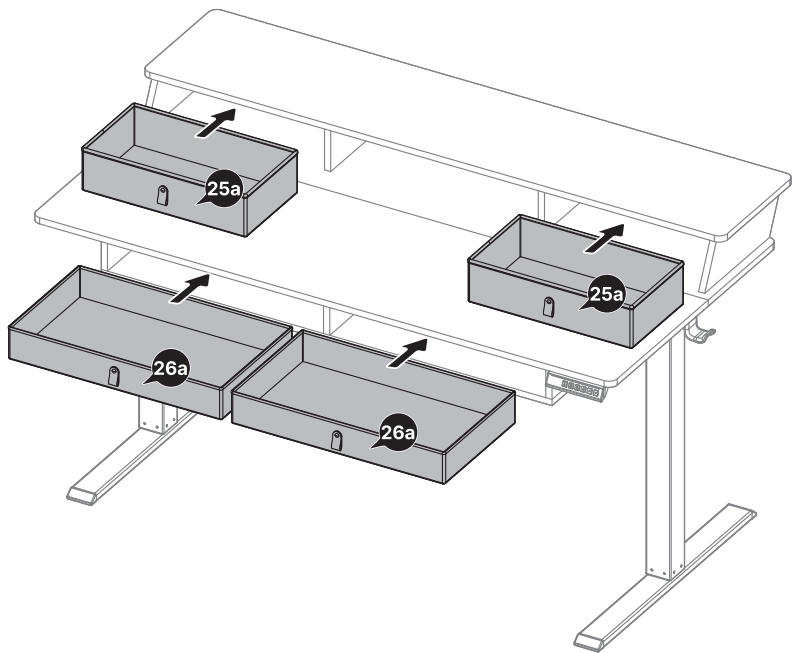


4x



The loop faces up.

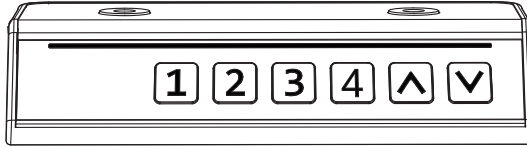




Using the Controller



Reset before first use.



Note: Ensure that there are no obstacles when using the desk, that the desktop is not too close to the wall, and that all cables are long enough for the desk to move up and down freely. When the controller screen is off (power-saving mode), press any button to wake it before operation.

Raise Desk (Max height: 46.8"/119cm)

Lower Desk (Min height: 27.9"/71cm)

• Save Current Height Setting

Four heights can be stored. Press and hold the **1** / **2** / **3** / **4** button for 3 seconds. The digital number will flash three times and the current height will be stored to that button.

• Select Height Setting

Press the **1** / **2** / **3** / **4** button. The desk will move to the height that was previously set for that button. Press any button to stop the desk.

Settings

Reset	<ol style="list-style-type: none">1. Press and hold the <input checked="" type="checkbox"/> button until the desk goes down to its lowest level, then release the button.2. Press and hold the <input checked="" type="checkbox"/> button for 5 seconds until the screen displays 'RST,' then release the button with 'RST' flashing.3. Press and hold it again until the desk goes down to its lowest level and comes back up slightly. The screen will display the current height again, then reset is complete. <p>Note: It is recommended that you remove all items from the desktop before performing a reset.</p>
Lock/Unlock	Press and hold 1 and 2 buttons together for 3 seconds to turn the lock on. The screen will display 'LOC' and the buttons will be disabled. Repeat to turn the lock off.
Change Display Height Units	Press and hold 1 and 3 buttons together for 3 seconds to switch the display height unit. The default unit is imperial.

<p>Change Collision Detection Sensitivity</p>	<p>1. Press and hold 1 and 4 buttons together for 3 seconds and 'S02' will flash on the screen. The last digit displayed is the current sensitivity level, and the value range is 0–3 (0: off; 1–3: highest to lowest).</p> <p>2. Select other levels by pressing △ or ▽ button, then press and hold 1 and 4 buttons together for 3 seconds. The digits will stop flashing and the screen will display the current height again.</p> <p>Note: Sensitivity is preset to Normal by the factory. However, sensitivity may be adjusted if needed.</p>
<p>Set/Clear Lowest Limit</p>	<p>1. To set the lowest limit, press and hold ▽ and 1 buttons together for 3 seconds. The screen will display '-dO.' Whenever the desk reaches the lowest limit, the screen will display '-LO.'</p> <p>2. To clear the lowest limit, move the desk down to the lowest level (screen displays '-LO'), then press ▽ and 1 buttons together for 3 seconds. '-dO' will flash on the screen and the limit will be cleared.</p>
<p>Set/Clear Highest Limit</p>	<p>1. To set the highest limit, press and hold △ and 1 buttons together for 3 seconds. The screen will display '-UP.' Whenever the desk reaches the highest limit, the screen will display '-HI.'</p> <p>2. To clear the highest limit, move the desk up to the highest level (screen displays '-HI'), then press △ and 1 buttons together for 3 seconds. '-UP' will flash on the screen and the limit will be cleared.</p>

Troubleshooting

1. Please try resetting the desk if you have any issues including the following:
 - Abnormal operation.
 - The controller screen displays 'RST' (reset).
 - The controller screen displays error message E01–E08, but the motor cable is connected correctly.
2. If the controller screen displays 'HOT,' please wait 20 minutes for the motor to cool down before making any further height adjustment.