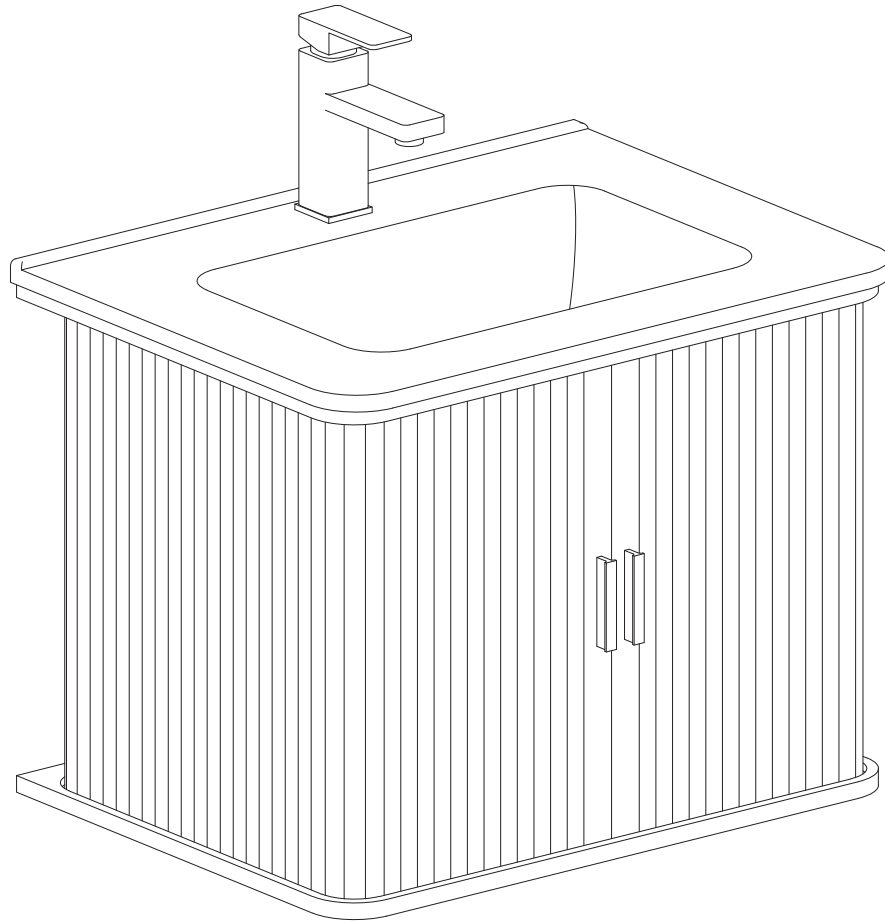
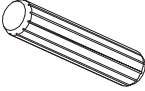
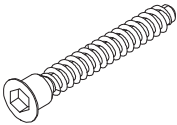
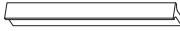
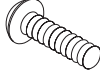
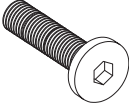

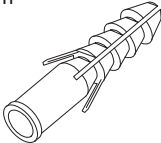
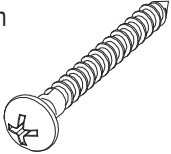



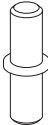

# Assembly Instructions

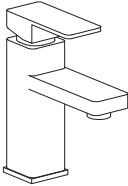
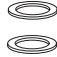






# Part List

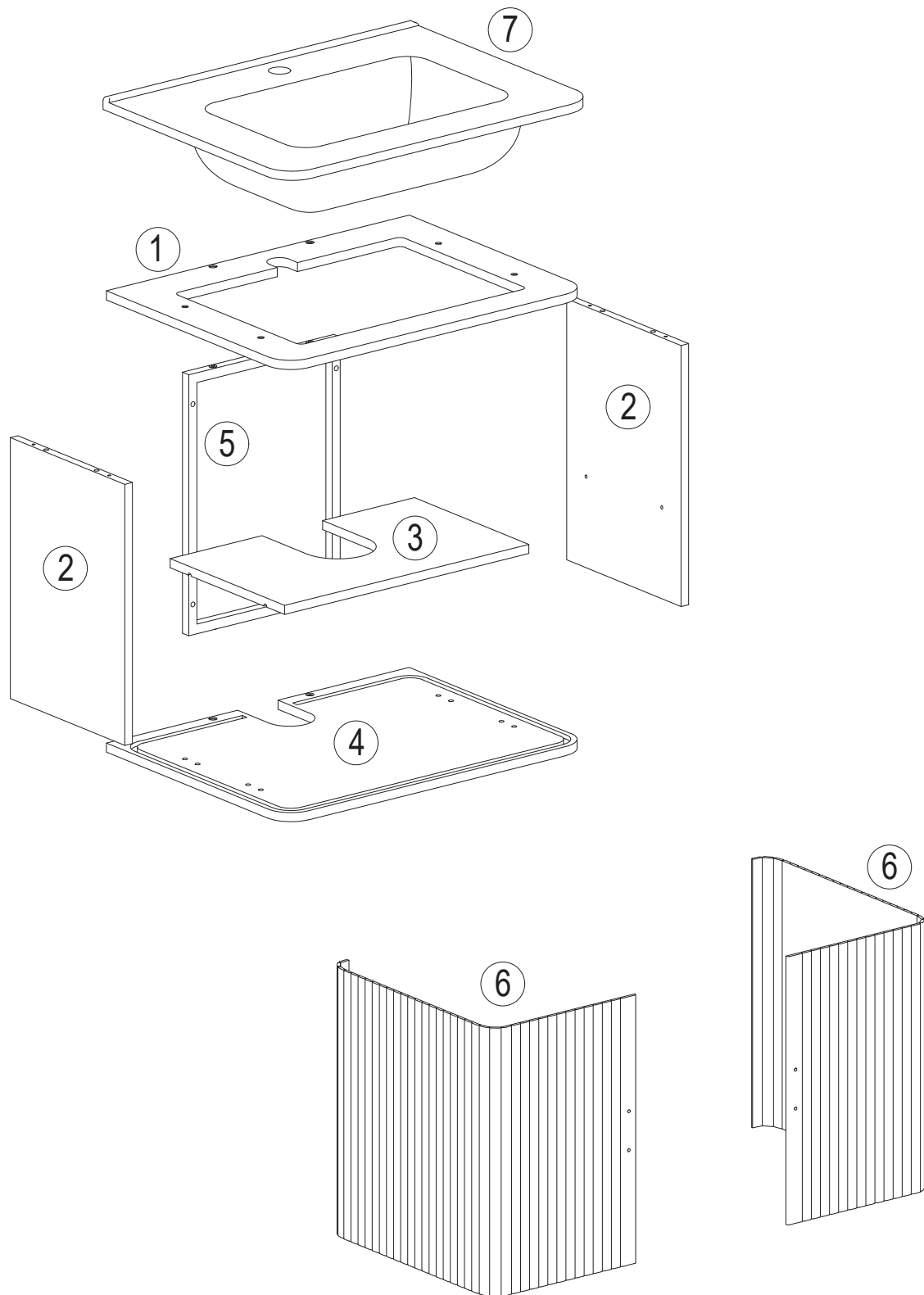
<p><b>No. A</b> Quantity: 8 PCS Dowel ø8x30mm</p> 	<p><b>No. B</b> Quantity: 8 PCS Screw ø6x48mm</p> 	<p><b>No. C</b> Quantity: 2 PCS Handle</p> 	<p><b>No. D</b> Quantity: 4 PCS Screw M4x10mm</p> 
---	---	---	---

<p><b>No. E</b> Quantity: 4 PCS Bolt M6x25mm</p> 	<p><b>No. F</b> Quantity: 1 PCS Hex Key 4mm</p> 	<p><b>No. G</b> Quantity: 4 PCS Plastic Expansion ø8x40mm</p> 	<p><b>No. H</b> Quantity: 4 PCS Screw ø4x55mm</p> 
--	---	--	---

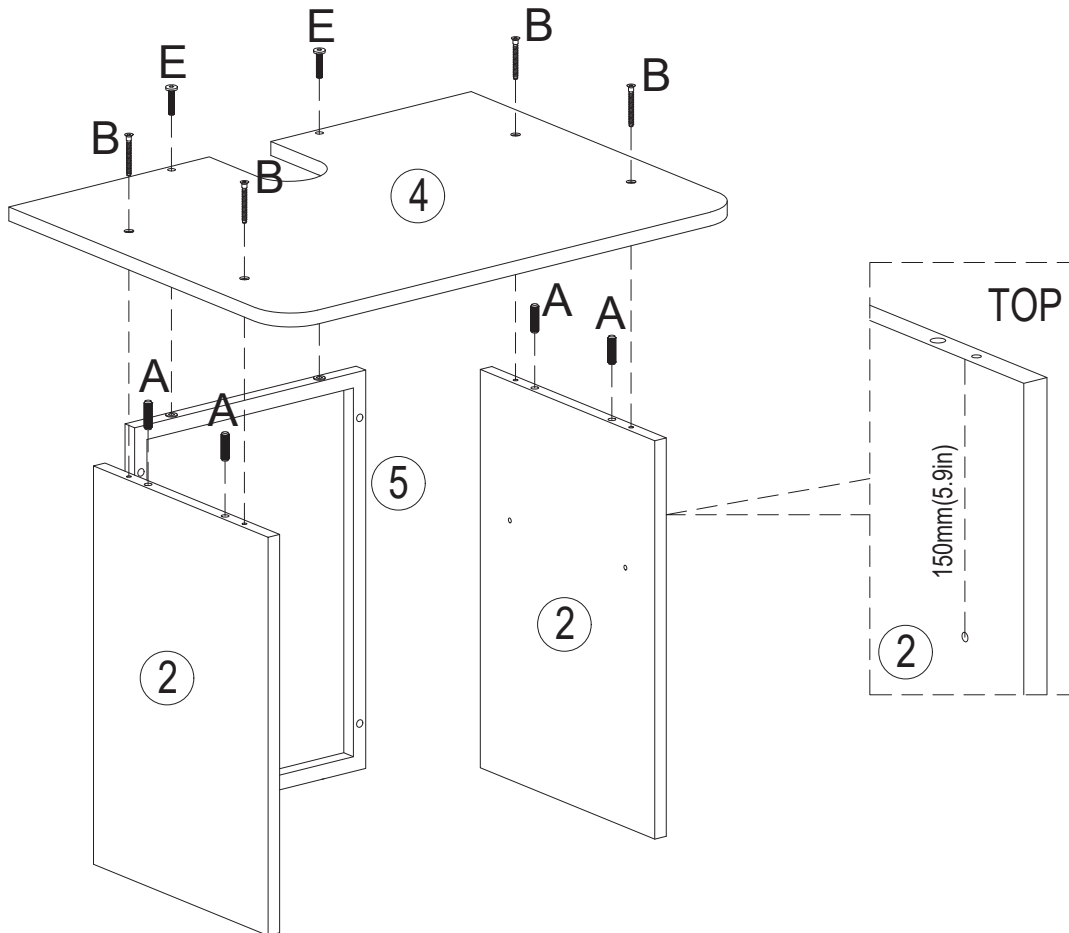
<p><b>No. I</b> Quantity: 4 PCS ø19x1mm</p> 	<p><b>No. J</b> Quantity: 4 PCS ø5x19mm</p> 	<p><b>No. K</b> Quantity: 1 PCS ø9.5x39mm</p> 
---	--	--

<p><b>No. L</b> Quantity: 1 SET</p>	<p><b>L-1</b> Faucet</p> 	<p><b>L-2</b></p>  <p><b>L-3</b></p>  <p><b>L-4</b></p> 	<p><b>L-5</b> Hot &amp; Cold Water Supply Lines</p> 	<p><b>L-6</b> Drain Stopper &amp; Tailpiece</p> 
---	--	---	--	---

# Product structure



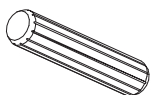
# STEP 1



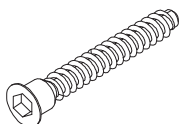
**No. F**  
Quantity: 1 PCS  
Hex Key  
4mm



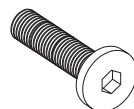
**No. A**  
Quantity: 4 PCS  
Dowel  
ø8x30mm



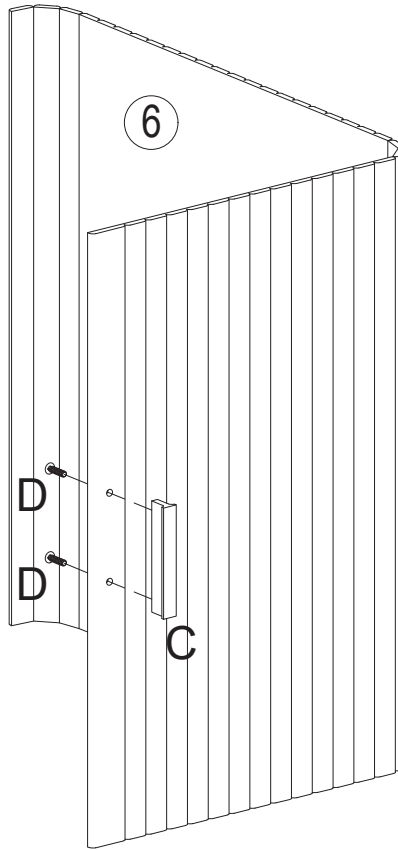
**No. B**  
Quantity: 4 PCS  
Screw  
ø6x48mm



**No. E**  
Quantity: 2 PCS  
Bolt  
M6x25mm

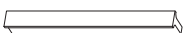


# STEP 2

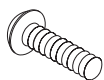


x2

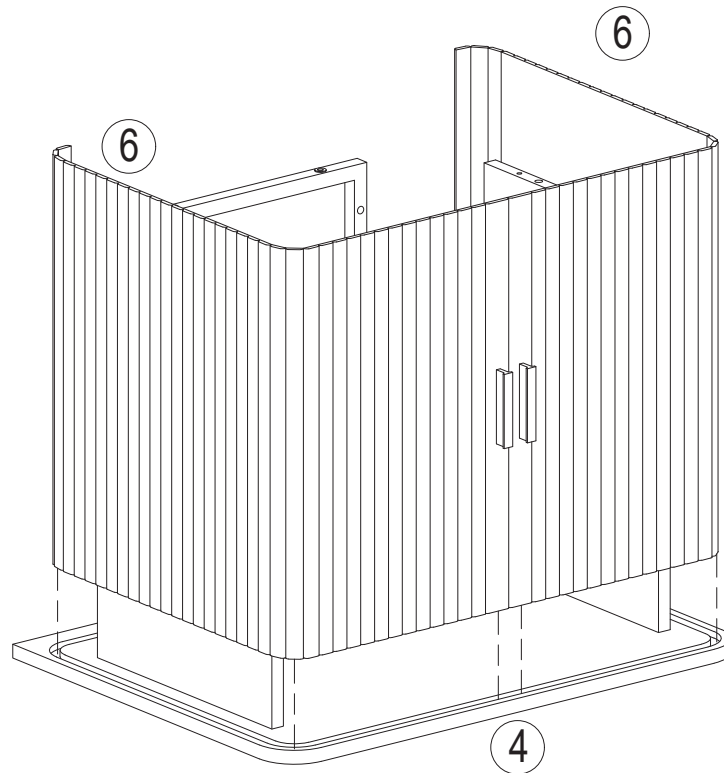
No. C  
Quantity: 2 PCS  
Handle



No. D  
Quantity: 4 PCS  
Screw  
M4x10mm

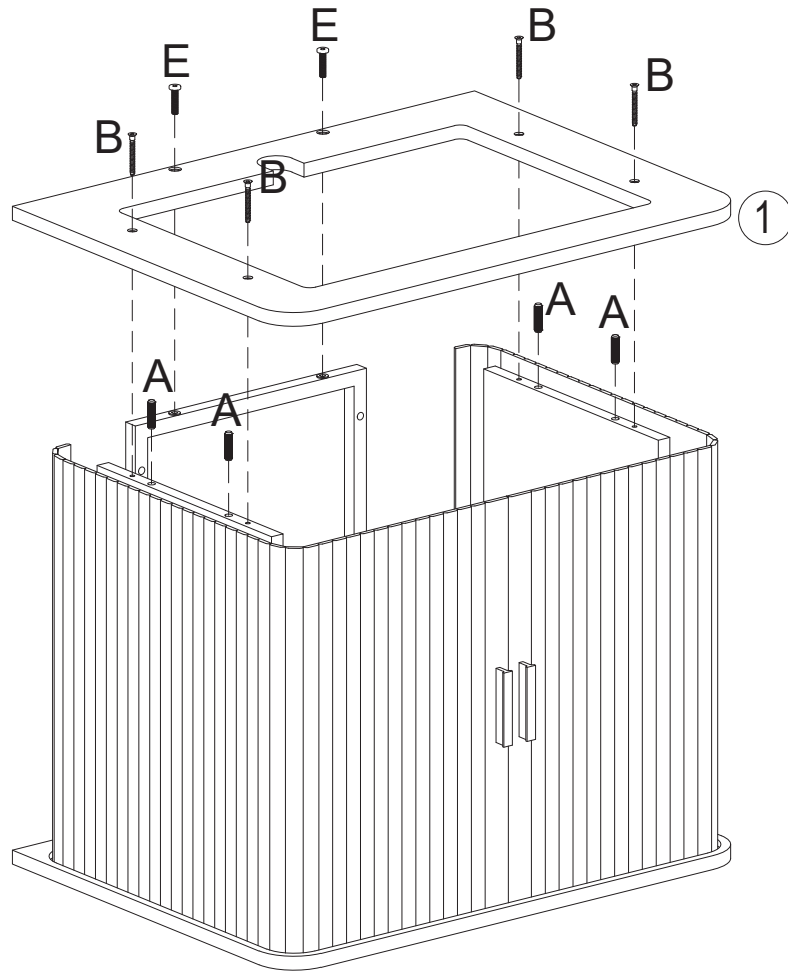


# STEP 3



Make sure the sliding door is properly inserted into the groove to ensure smooth operation.

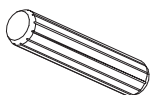
# STEP 4



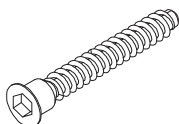
**No. F**  
Quantity: 1 PCS  
Hex Key  
4mm



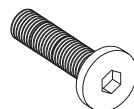
**No. A**  
Quantity: 4 PCS  
Dowel  
ø8x30mm



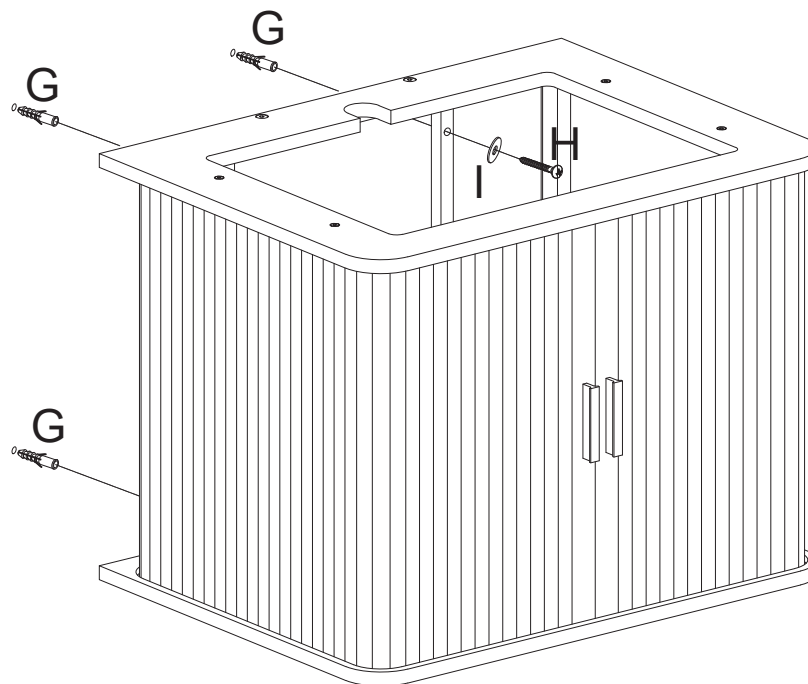
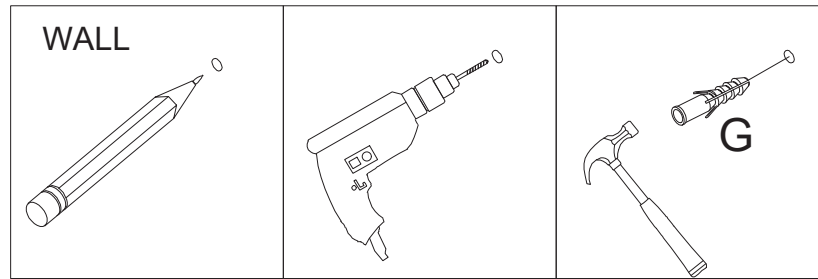
**No. B**  
Quantity: 4 PCS  
Screw  
ø6x48mm



**No. E**  
Quantity: 2 PCS  
Bolt  
M6x25mm



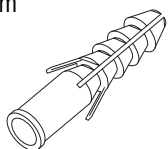
# STEP 5



Note: This step is very important. Depending on your wall type, you may need to purchase and use appropriate wall anchors to ensure the product is securely mounted.

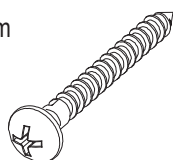
## No. G

Quantity: 4 PCS  
Plastic Expansion  
ø8x40mm



## No. H

Quantity: 4 PCS  
Screw  
ø4x55mm

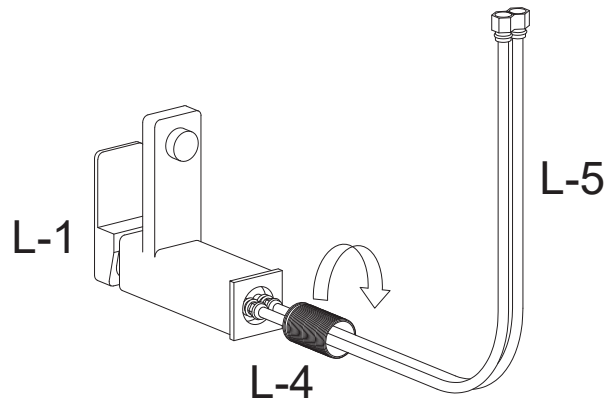
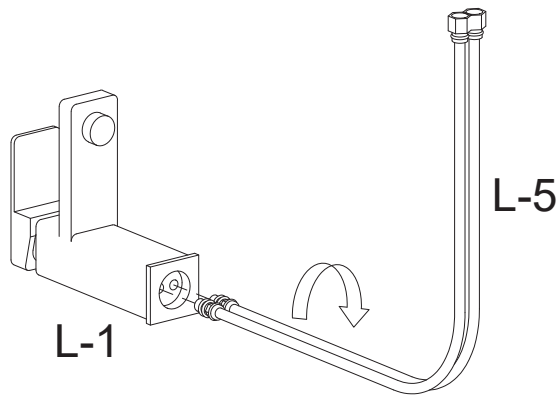


## No. I

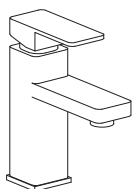
Quantity: 4 PCS  
ø19x1mm



# STEP 6



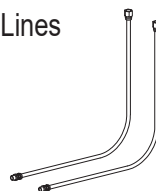
No. L-1  
Faucet



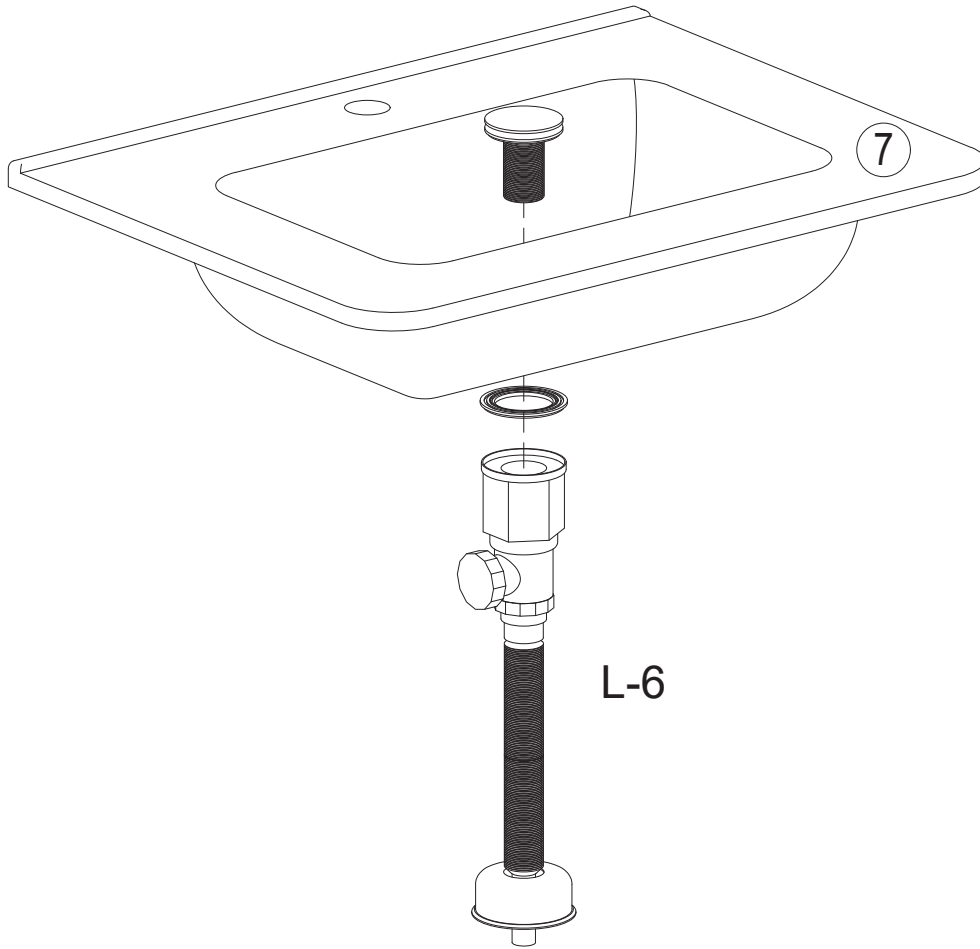
No. L-4



No. L-5  
Hot & Cold Water  
Supply Lines



# STEP 7

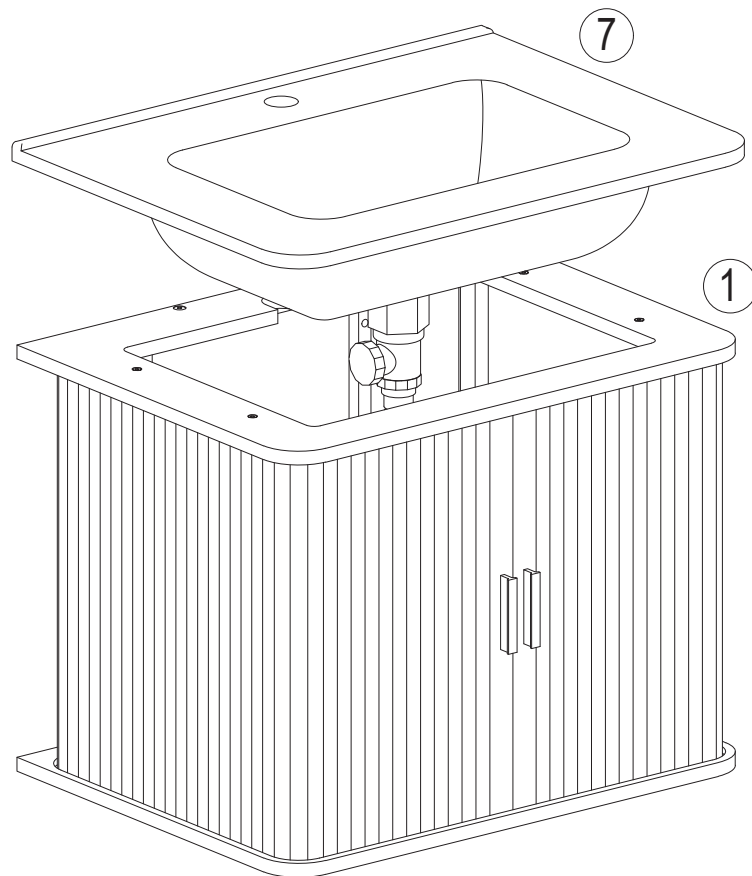


No. L-6  
Drain Stopper &  
Tailpiece

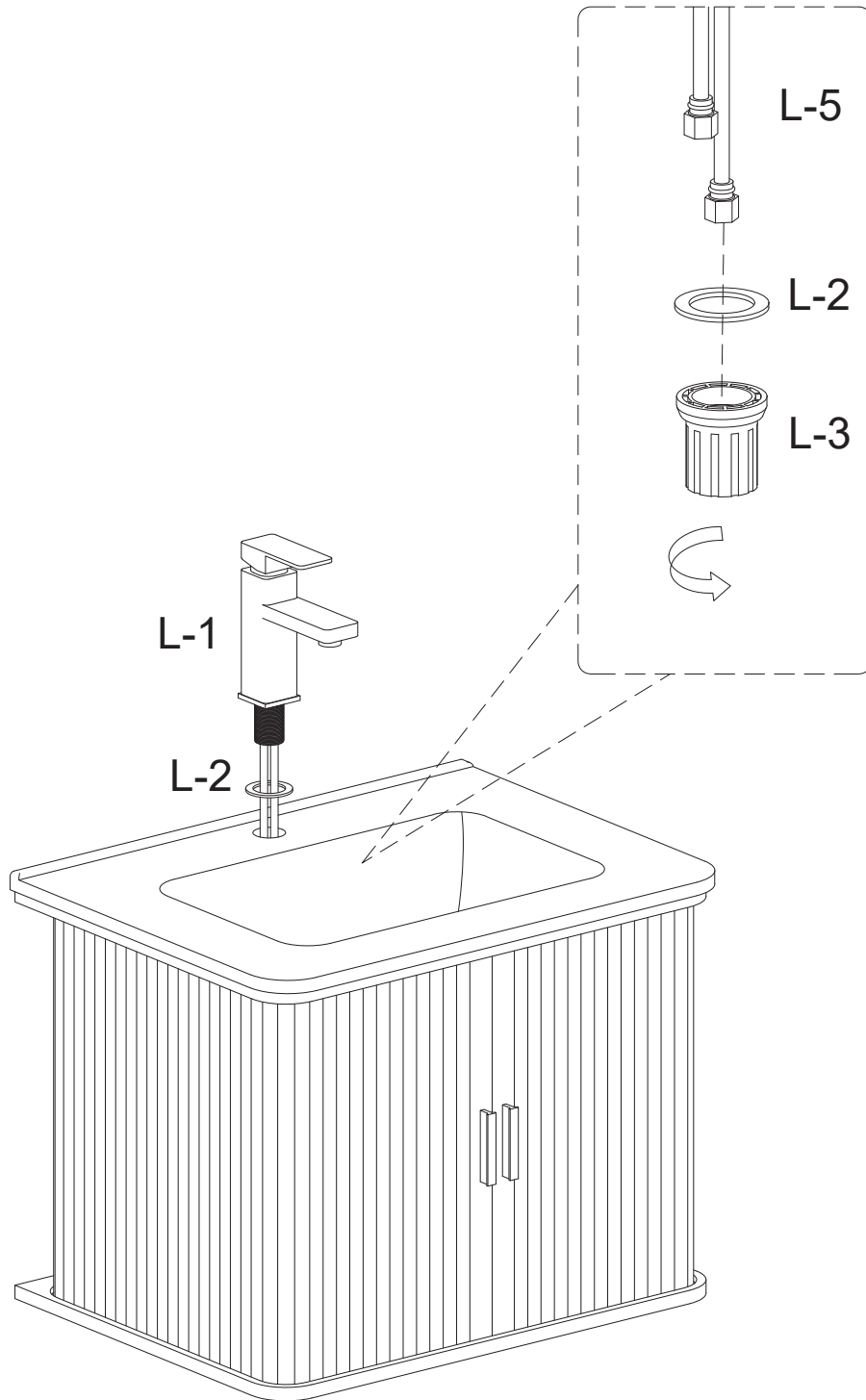


# STEP 8

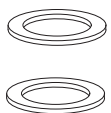
Tear the 3M adhesive paper during installation  
The cabinet should be sealed with glass glass and basin.



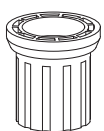
# STEP 9



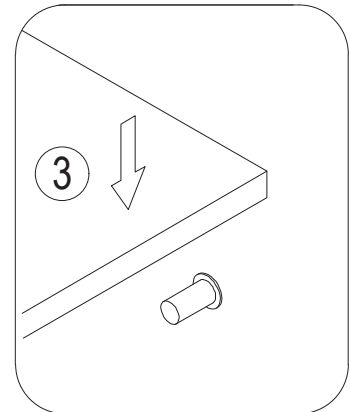
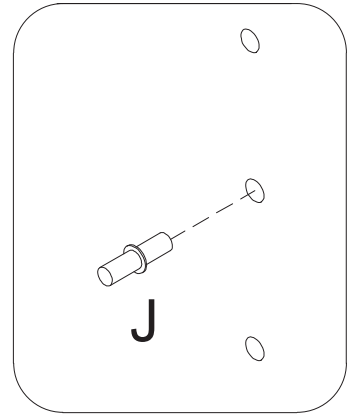
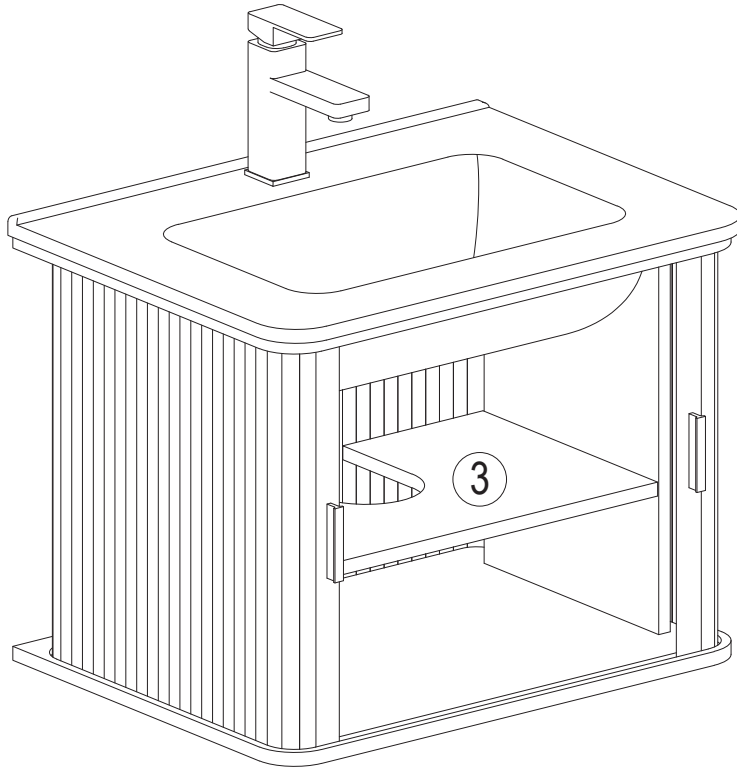
No. L-2



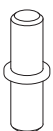
No. L-3



# STEP 10



No. J  
Quantity: 4 PCS  
ø5x19mm



# STEP 11

