




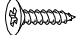
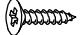
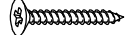
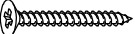





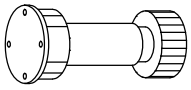
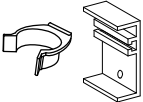


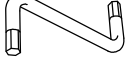



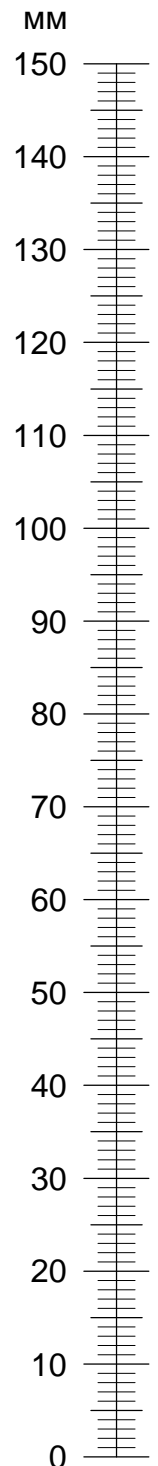
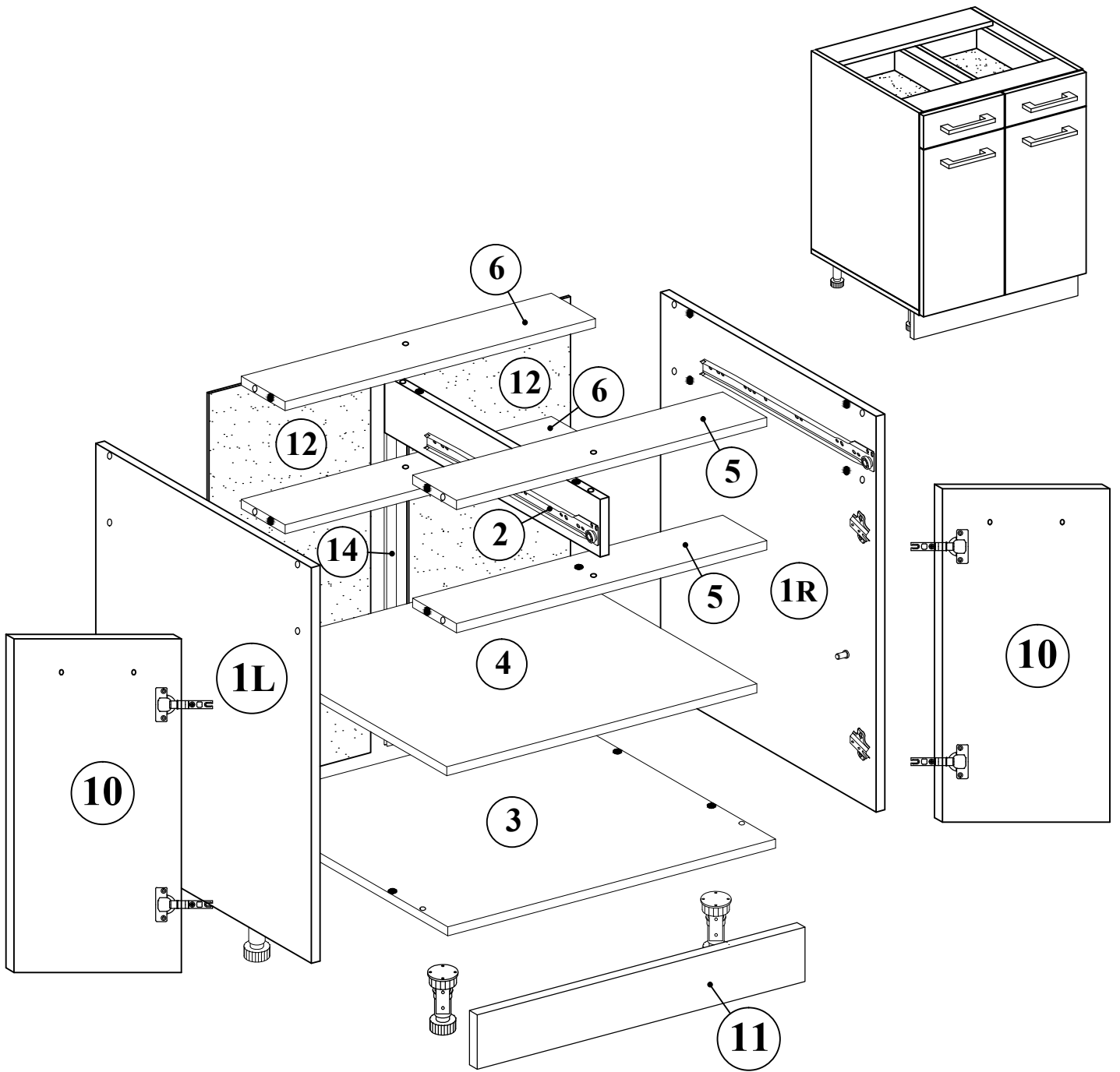







 (A1) 8*30mm x24	 (B) ϕ 12mm x20	 (B1) 6,3*50mm x20
 (D) x4	 (D1) 16mm x4	 (C1) 5*30mm x4
 (E1) 3*15mm x8	 (E8) 4*16mm x28	 (E11) 4*30mm x8
 (E13) 4*40mm x8	 (F1) 6,3*13mm x8	 (F3) 5,0*13mm x8
 (H1) M 4 x8	 (I8) x4	 (J1) 5*16MM x4
 (K2) x4	 (K3) x2	 (L1) x4
 (M1) L- 400 x2	 (P1) x1	 (Q1) 1.4*25MM 0.02kg
 (U3) x6	 (P4) L-564 x1	

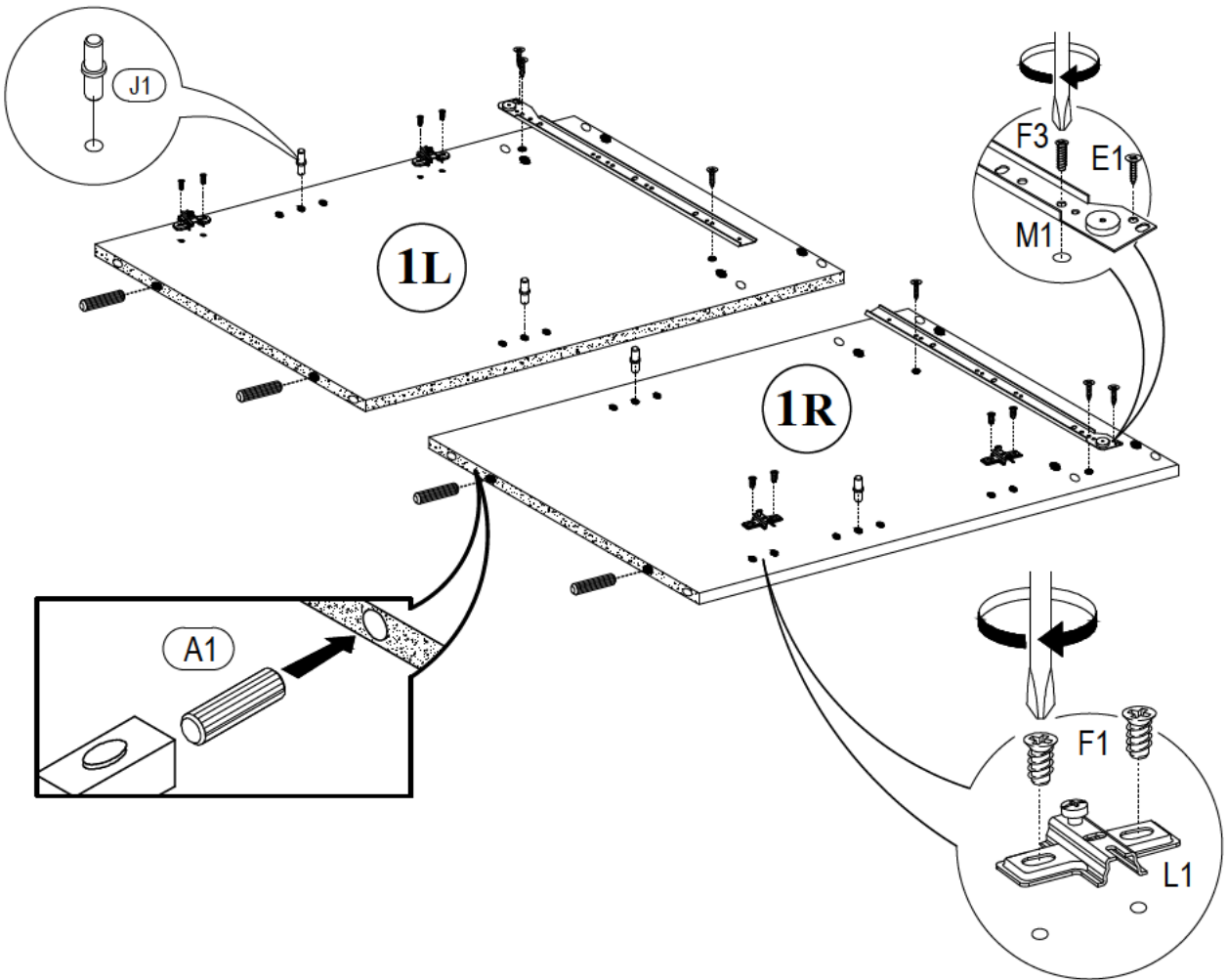


Nº	a*b	x
1L	700x440	1
1R	700x440	1
2	102x440	1
3	800x440	1
4	767x420	1
5	767x90	2
6	767x90	2
7L	396x118	1
7R	396x118	1
8L	400x80	2
8R	400x80	2
9	318x80	2
10	396x590	2
11	799x96	1
12	713x396	2
13	404x348	2

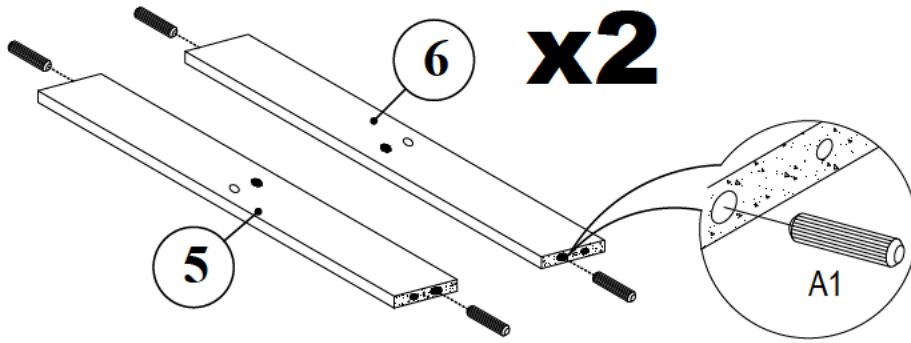
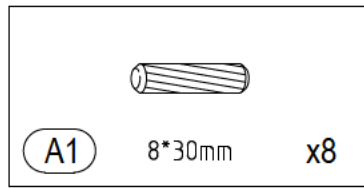


1

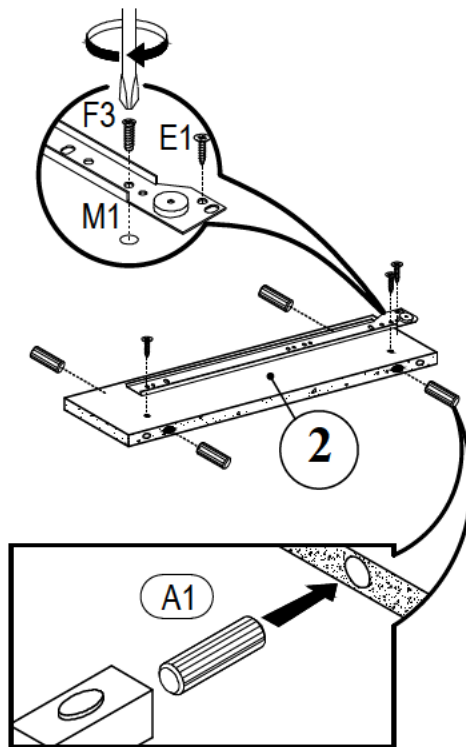
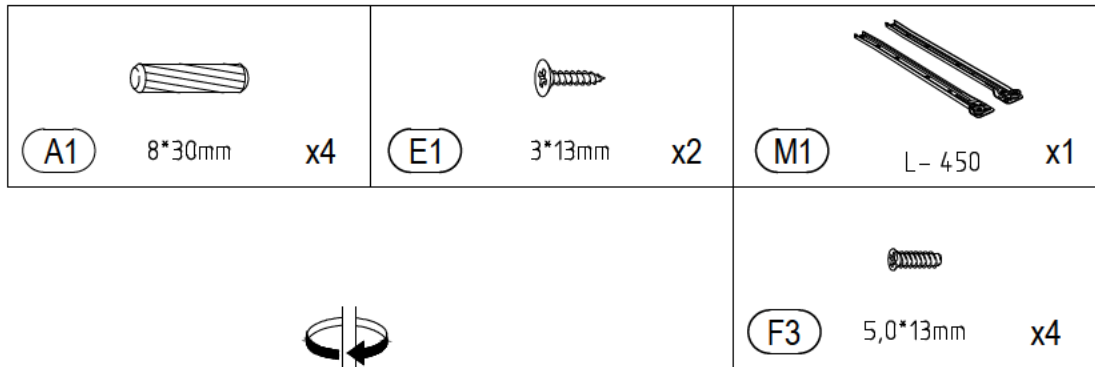
 <p>A1 8*30mm x4</p>	 <p>J1 5*16MM x4</p>	 <p>L1 x4</p>
 <p>F1 6,3*13mm x8</p>	 <p>E1 3*13mm x2</p>	 <p>M1 L- 450 x1</p>
		 <p>F3 5,0*13mm x4</p>



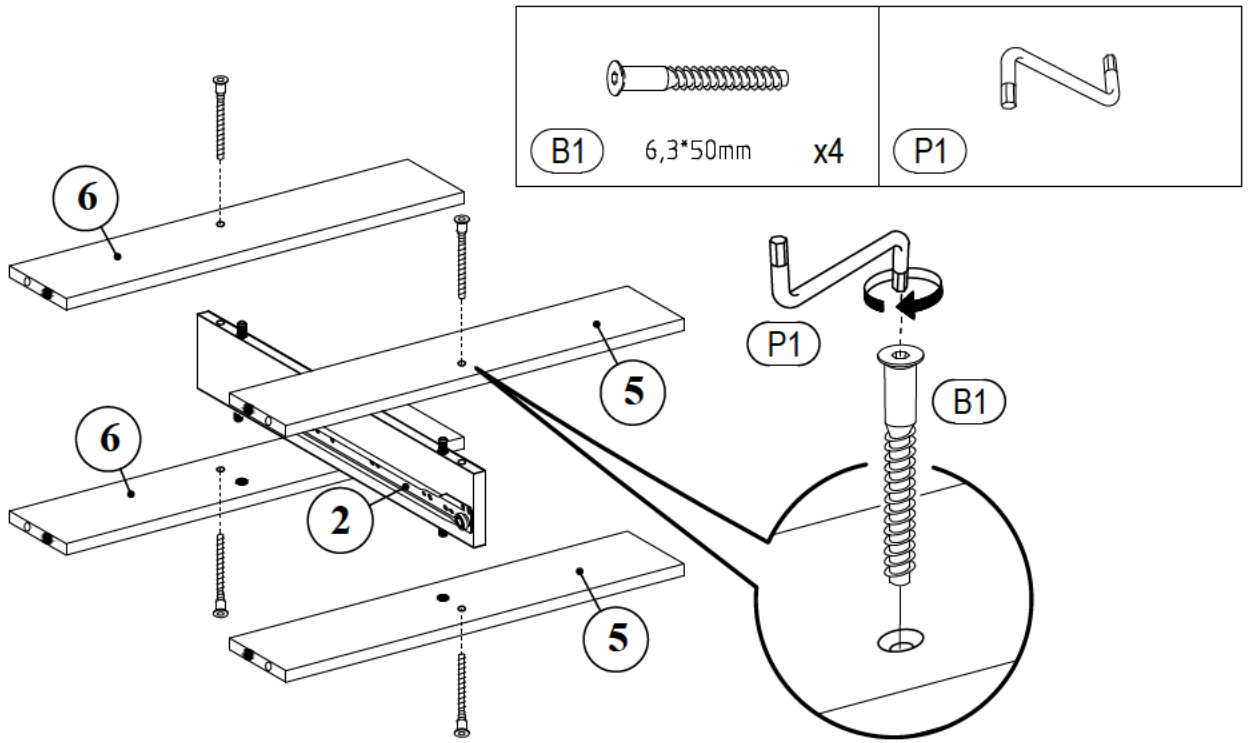
2



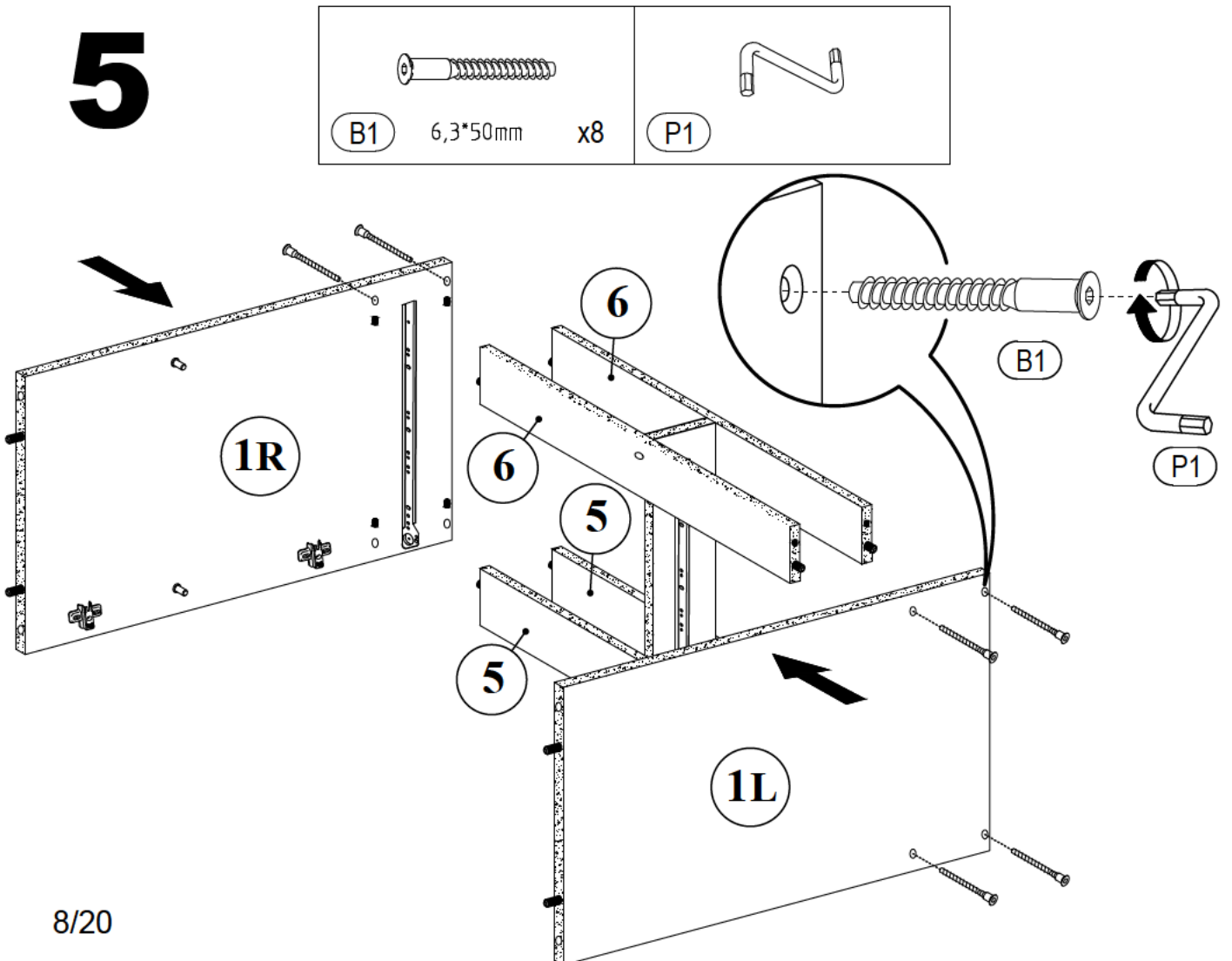
3




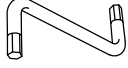
4

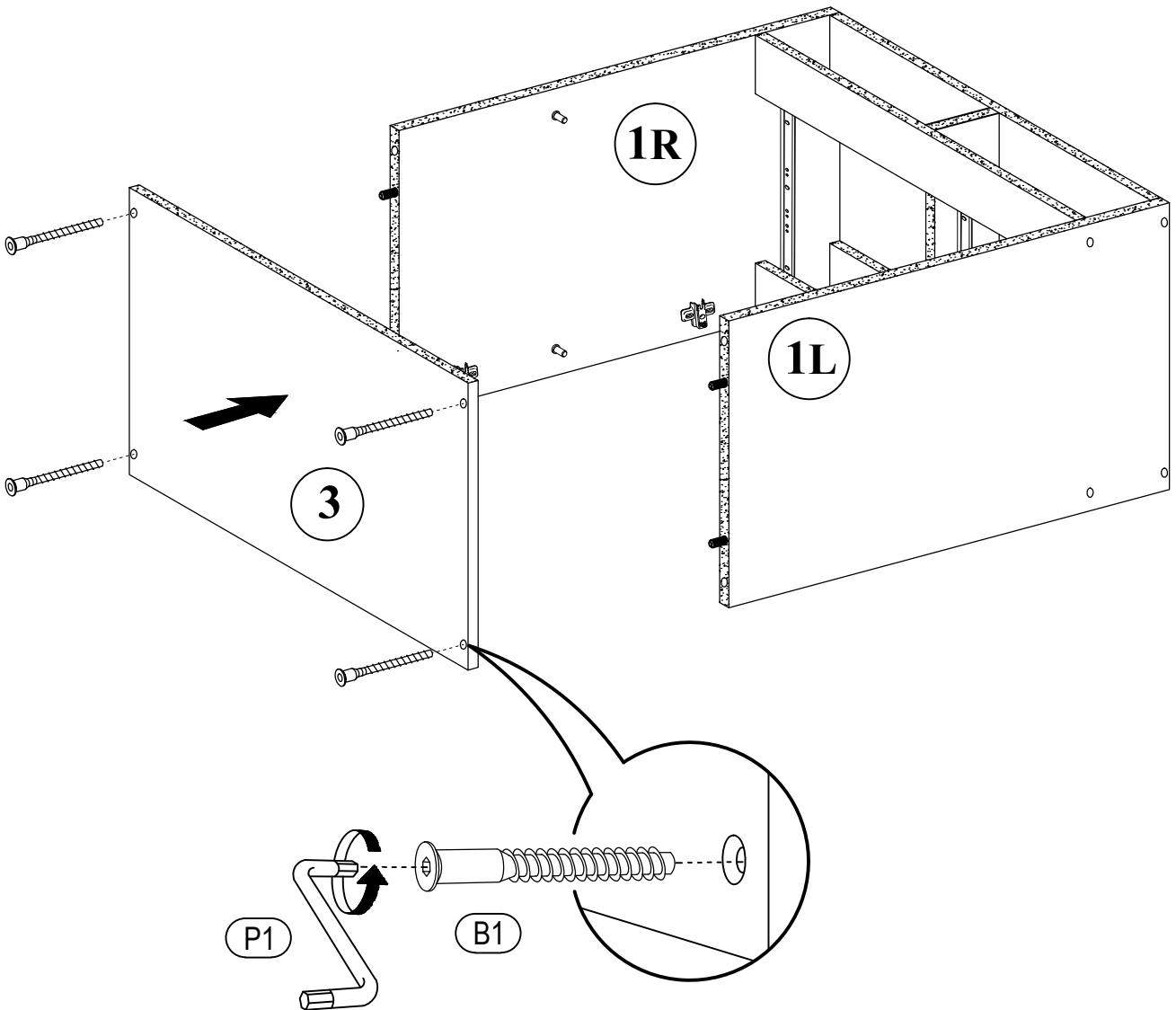


5




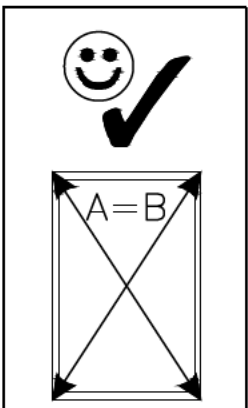
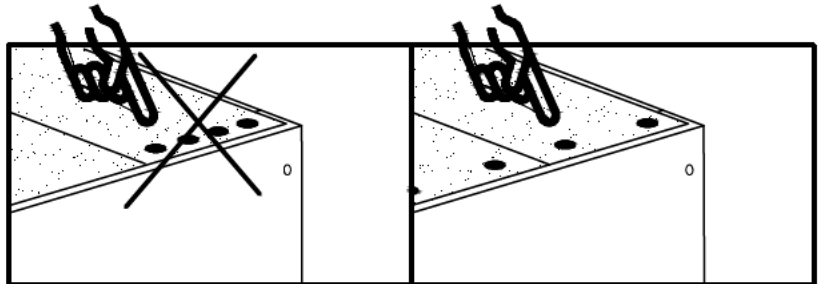
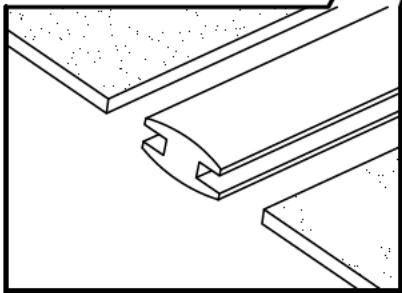
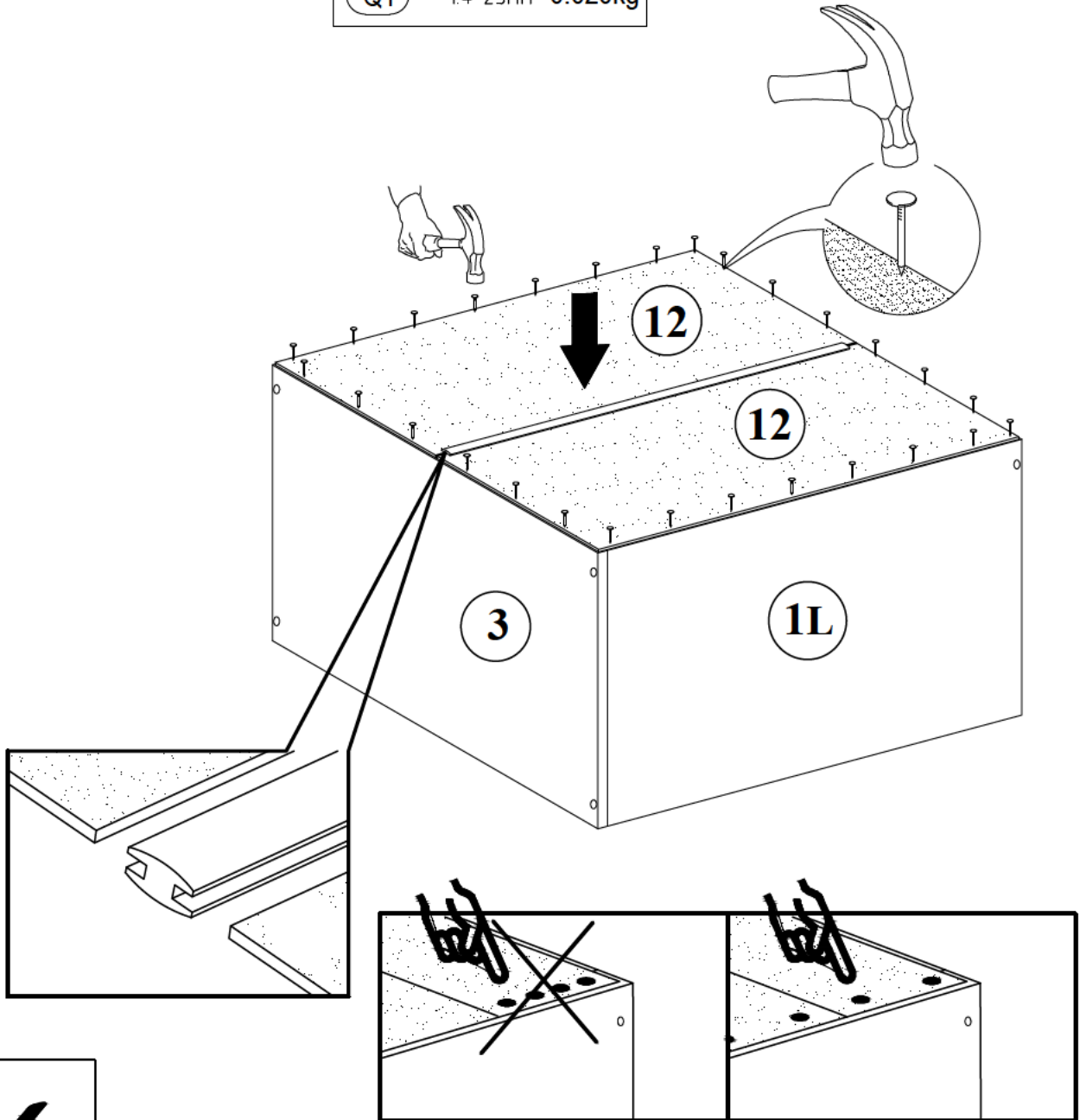
6

 B1 6,3*50mm x4	 P1
---	---

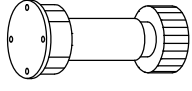
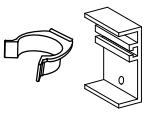
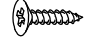


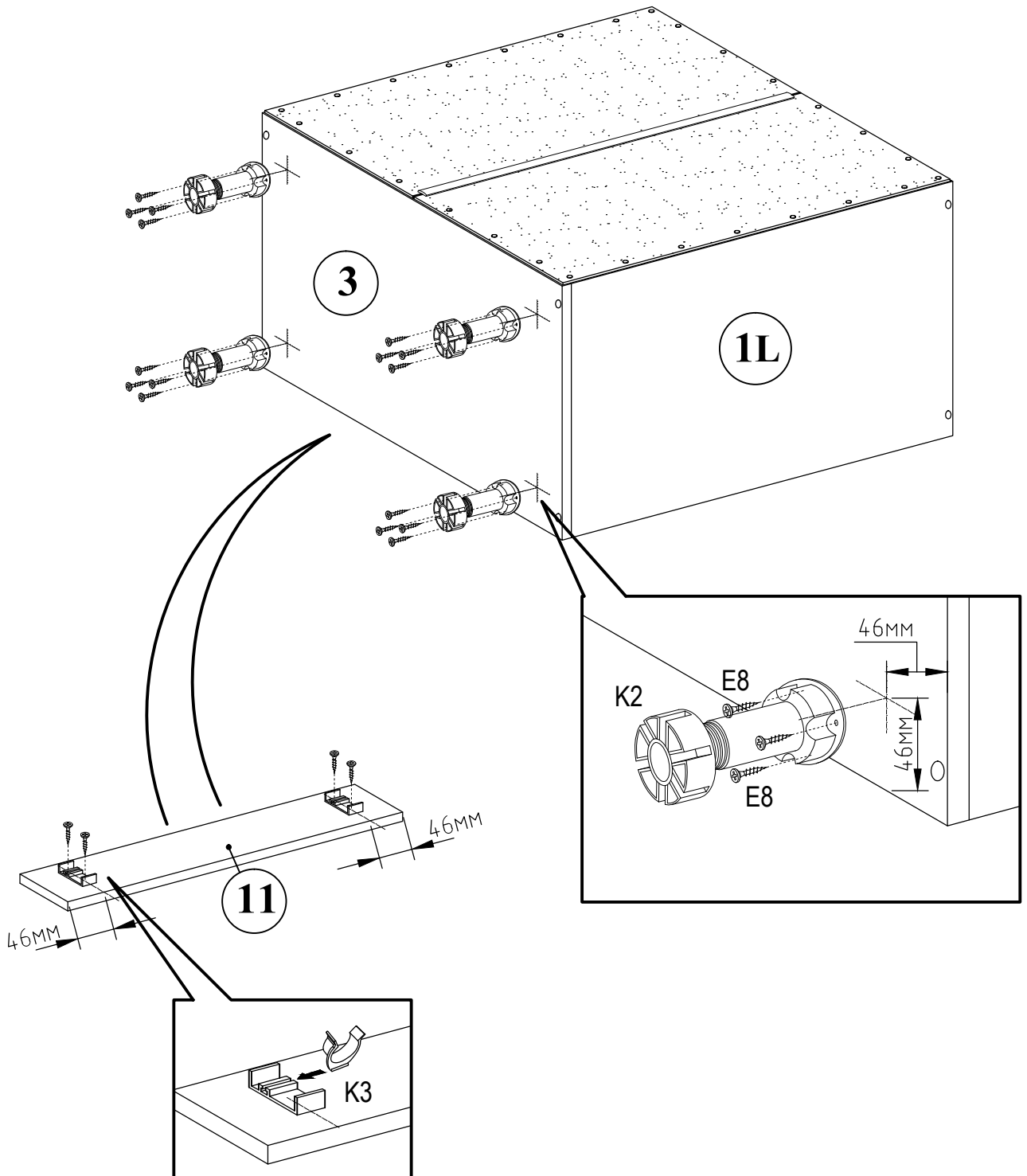
7


Q1 1.4*25MM 0.020kg




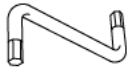


8

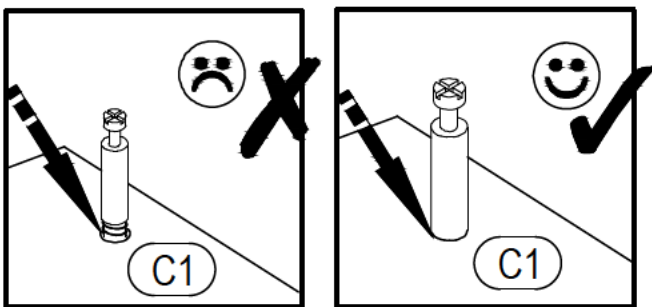
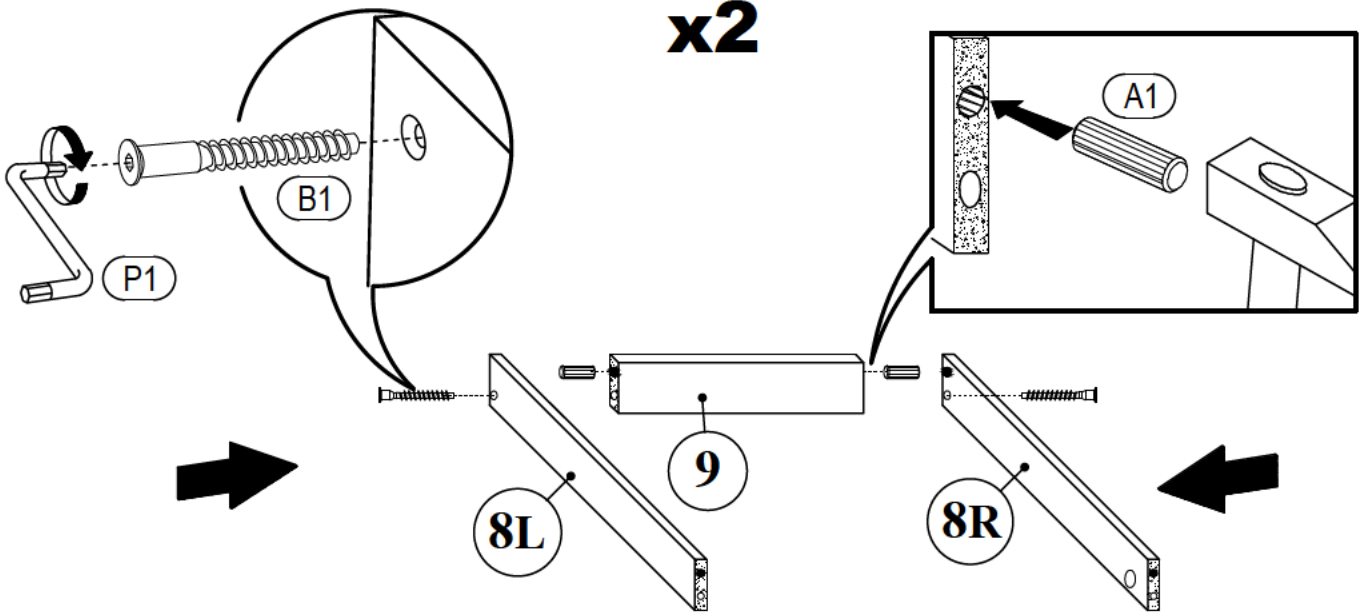
 (K2)	x4	 (K3)	x2	 (E8)	4*16mm	x20
--	----	---	----	--	--------	-----



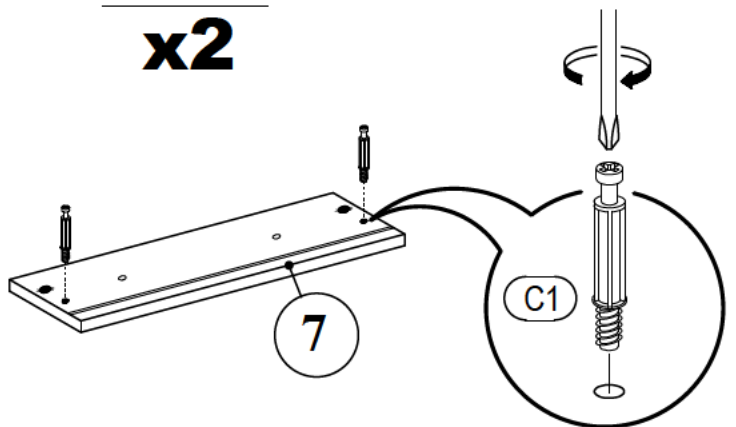
9

 (A1) 8*30mm x4	 (C1) 5*30mm x4	 (B1) 6,3*50mm x4
		 (P1)

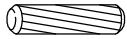

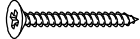
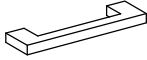

10.1 x2



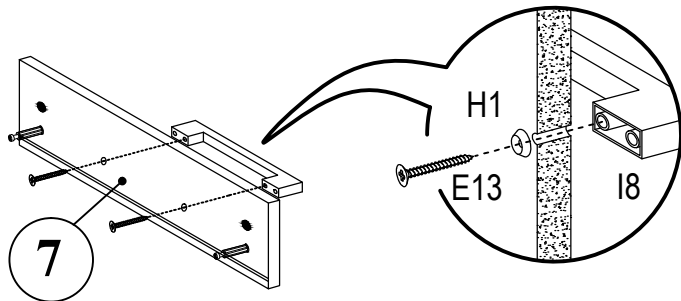
10.2 x2



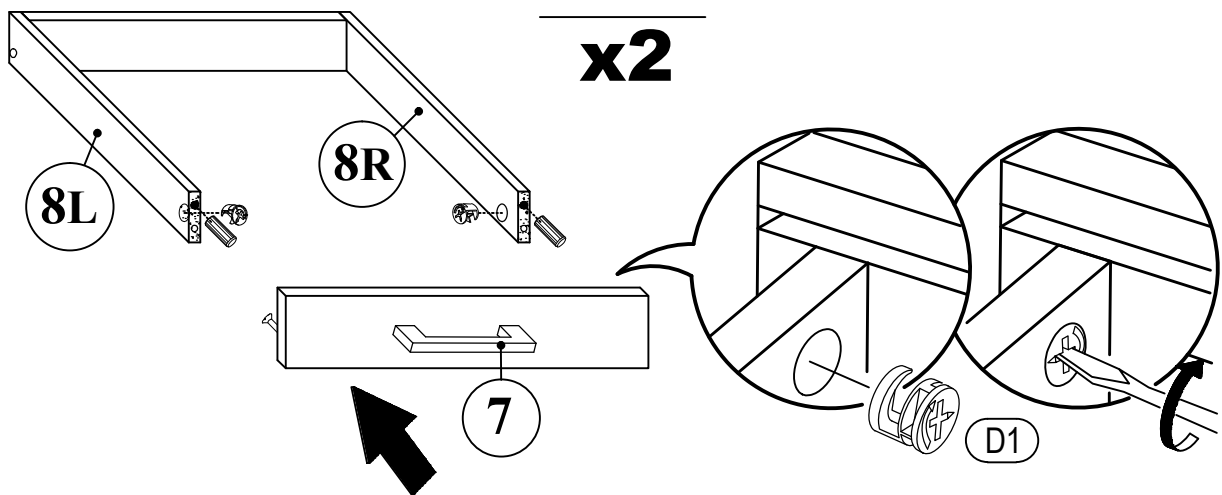
10

 A1 8*30mm x4	 D1 16mm x4	 E13 4*40mm x4
 I8 x2	 H1 M 4 x4	

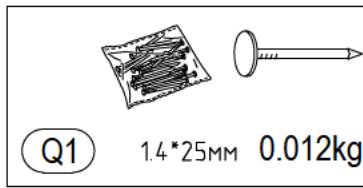
10.3 x2



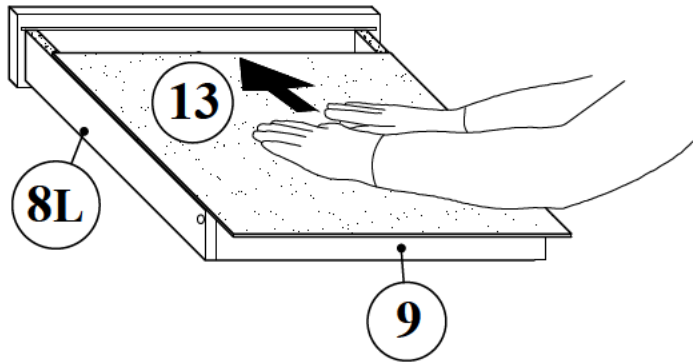
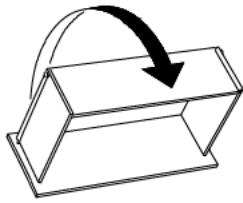
10.4 x2



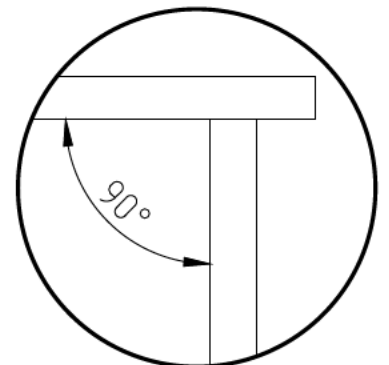
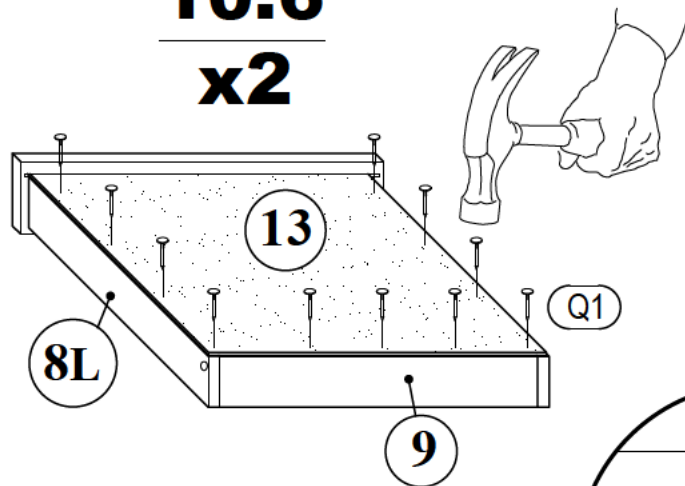
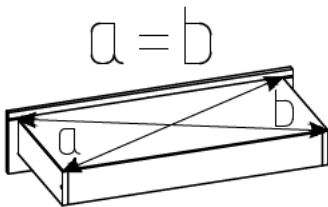
10



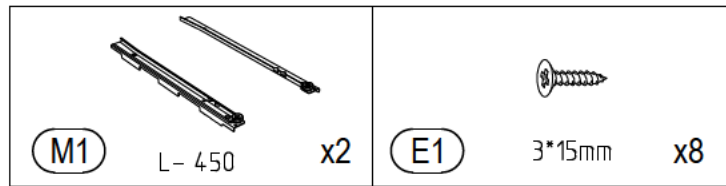
10.5 x2



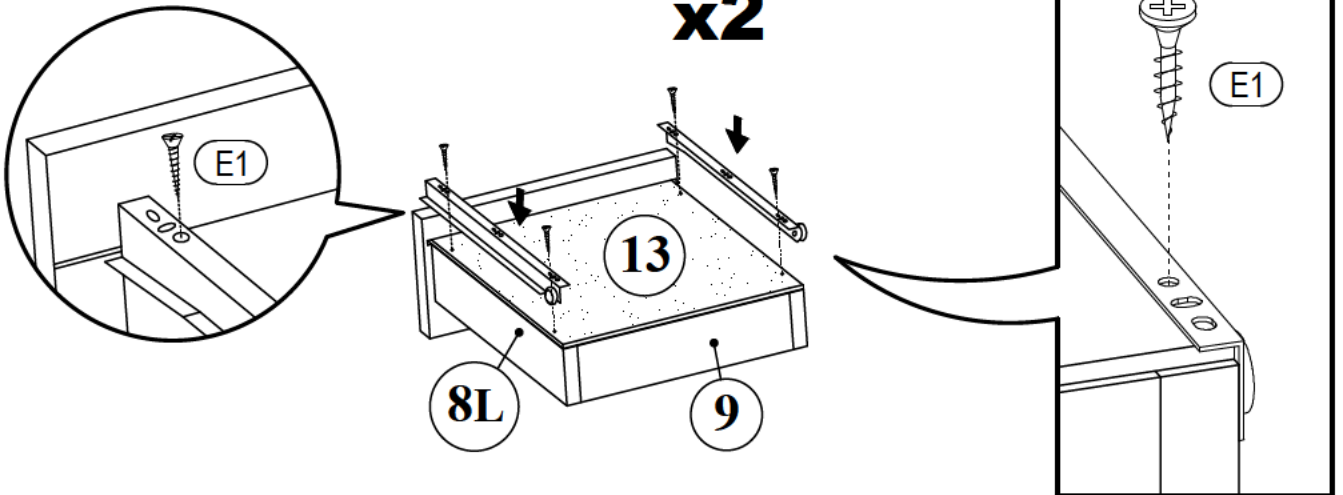
10.6 x2



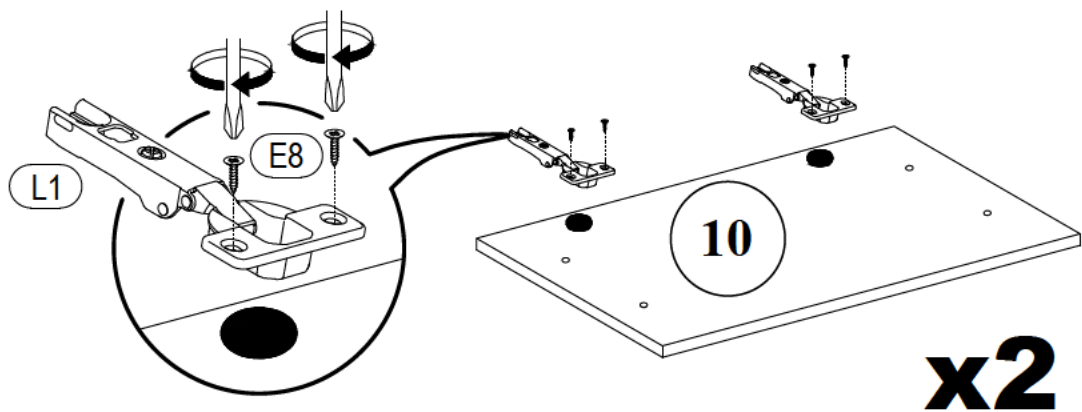
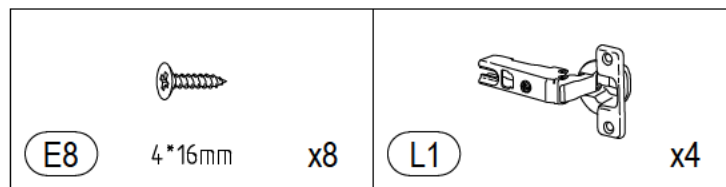
10



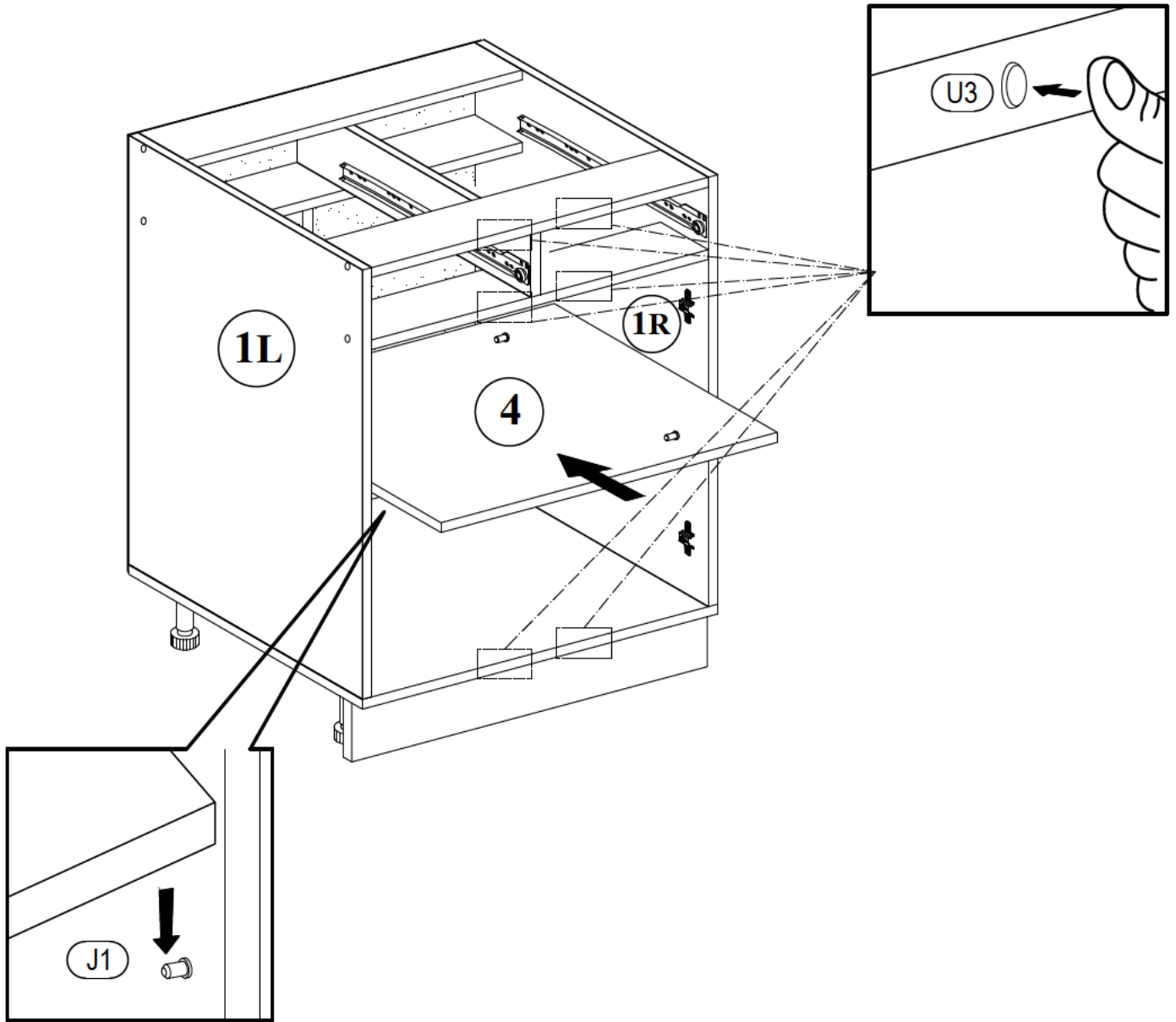
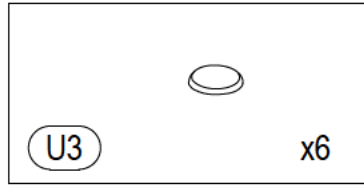
10.7 x2



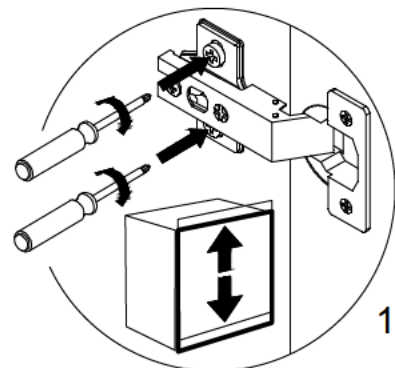
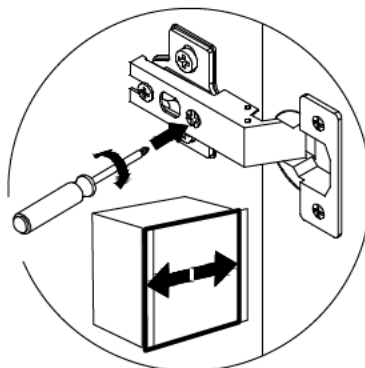
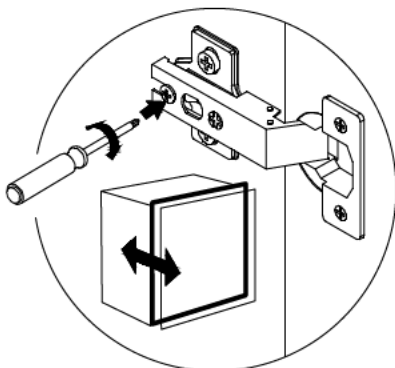
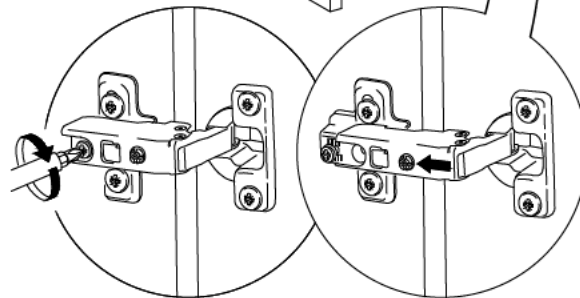
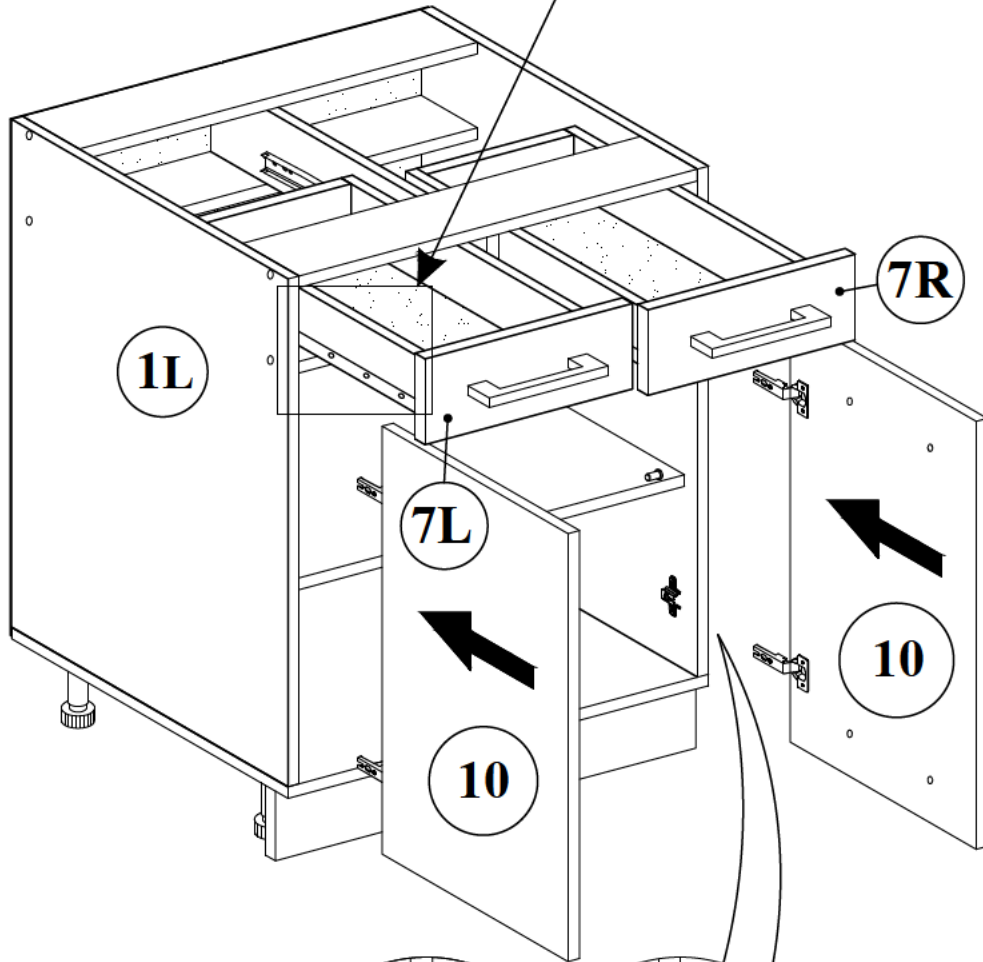
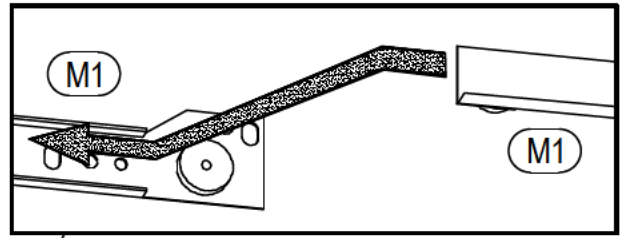
11








12

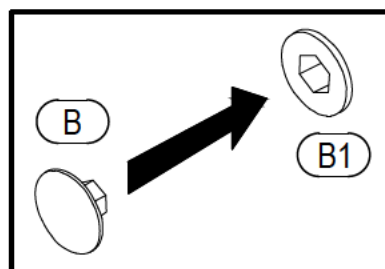
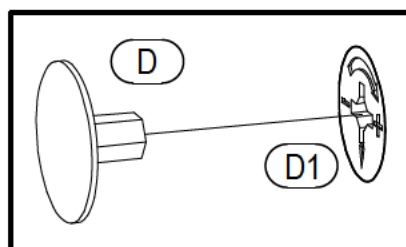
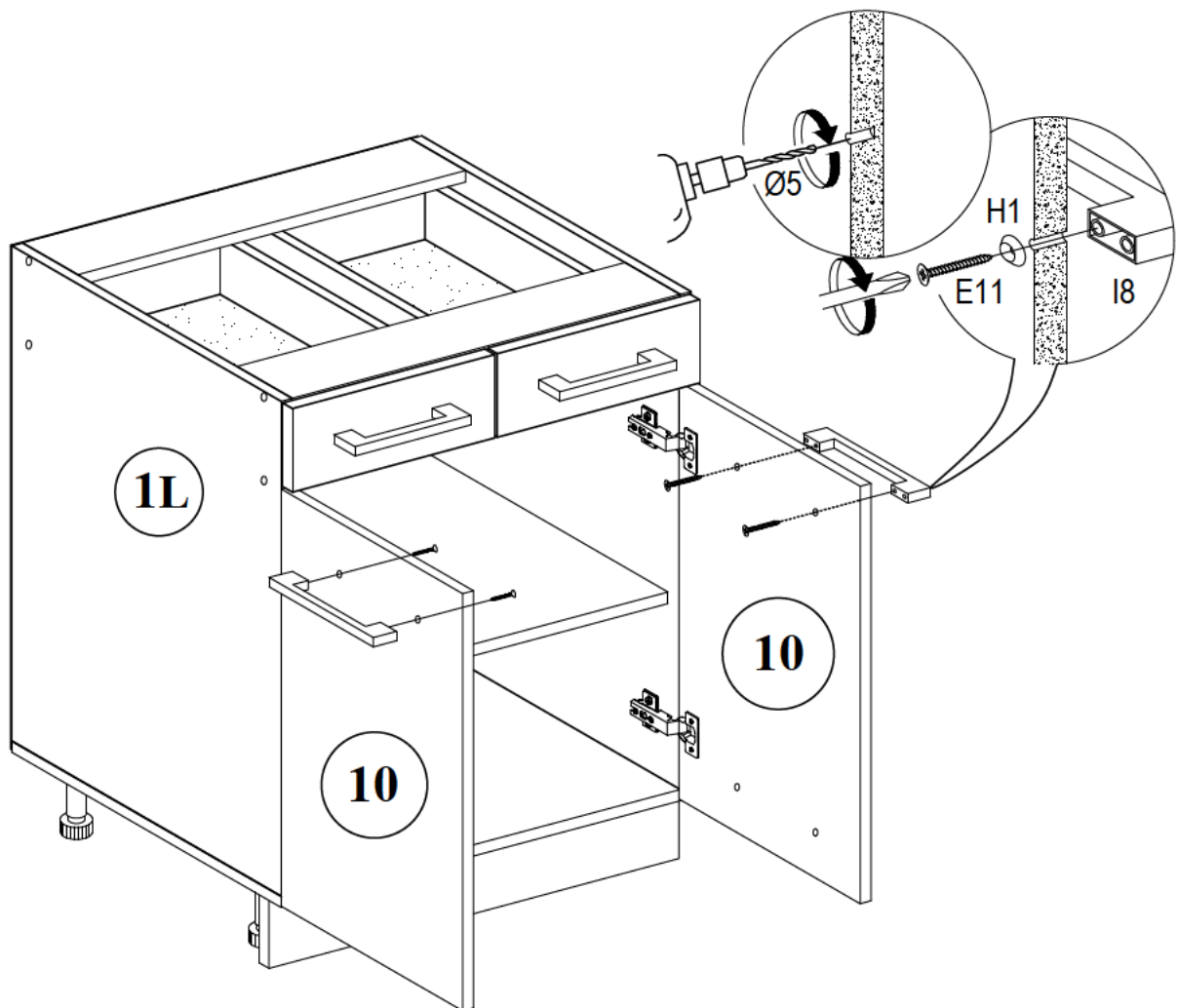


13



14

 E13 4*40mm x4	 I8 x2	 B x10
 D x2	 H1 M 4 x4	



15

