

### Specifications:

Installation:	Vanity-top or vessel
Exterior dimensions:	48 1/4" w x 15 1/4" d x 6 1/8" h
Material:	Solid surface
Weight:	86 lbs yes
Overflow:	M – matte white
Finishes:	G – gloss white 00 – No hole
Faucet holes:	01 – One centered hole 02 – Two hole 4" spread 03 – Three hole 8" spread
Cutout size:	33 7/8" x 8" (template available upon request)
Faucet hole:	Ø 1 3/8"
Drain hole:	Ø 1 3/4"



### Features:

- Solid surface sink with overflow
- Glazed back
- Unglazed bottom
- Material is stain, scratch, chemical, and impact resistant
- **This sink has a shallow profile, including the faucet deck, and is best suited for wall-mounted faucets. If using a deck-mounted faucet, make sure it features a compact or narrow mounting system underneath to allow proper installation.**

### Codes + standards:

- Meets and exceeds applicable national codes and standards

**ADA** Compliant when installed to specific Requirements of this regulation

### Recommended items:

#### Furniture

- Luc-w-48 - wall-mount under-counter vanity with large wood pulls on two drawers

#### Drain with overflow

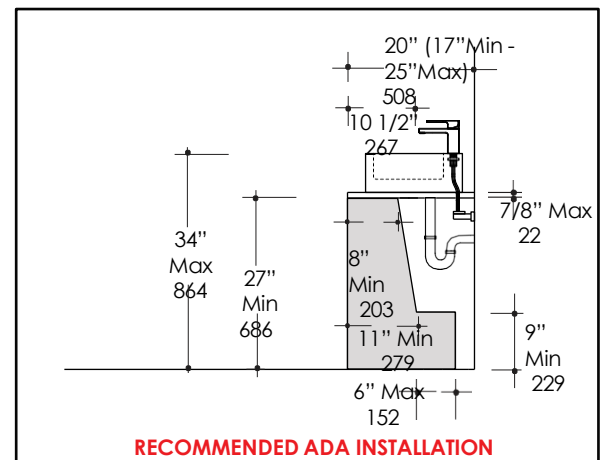
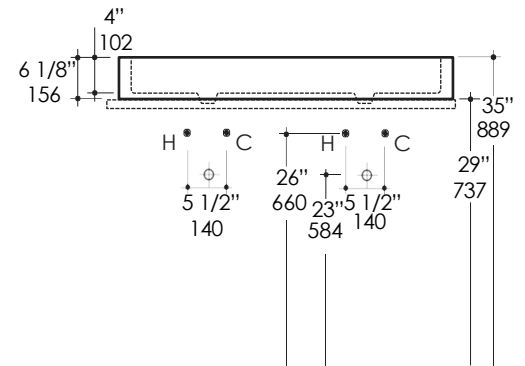
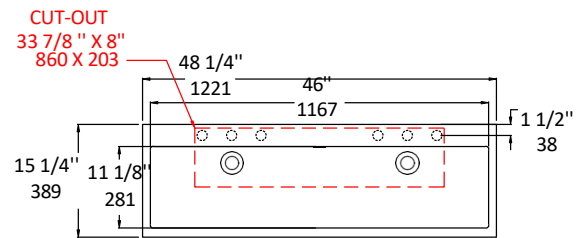
- 7100-17
- 7100-130F
- 7100-160F
- Faucets with a compact or narrow mounting system underneath.
- Example of deck mounted models: 1686/F, 1586, 1586.3, 1580, 1580.3
- Wall mounted faucets: 1514L, 1584L.1, 1584L.3, 1585L

### Care + maintenance:

- To prevent damage to the solid surface material, hot objects and open flame should not be placed in direct contact with the surface

**CLICK HERE** To find out more about proper care and maintenance

*Drawings provided herein are meant to give the user an idea of the product and are not made to scale.*



LACAVA reserves the right to revise any dimension or information on this sheet without notice. Dimensions are nominal and may vary within an industry accepted tolerance of 1/4". Cabinets with 'vanity top' sinks are made to the matching sink and dimensions may vary. **LACAVA is not responsible for any cutouts, countertops, or furniture made without the actual product or template.** Differences in color and appearance are inherent in all solid surface pieces and should be expected. Variances in these qualities are not deemed manufacturing defects and will not be accepted as valid reasons for return or exchanges. Plumbing specifications are only a guideline and may need alteration based on application.

REVISED 1/27/26