

ULTRA INFRARED KITCHEN FAUCET

STANDARD SPECIFICATIONS

- Infrared sensor kitchen faucet
- Sensing distance: 8cm
- Power supply:
 - DC6V / 500ma transformer
 - 4 x AA batteries
- Low battery indicator
- 1.8gpm max at 60psi
- Brass waterway

FINISHES INCLUDE

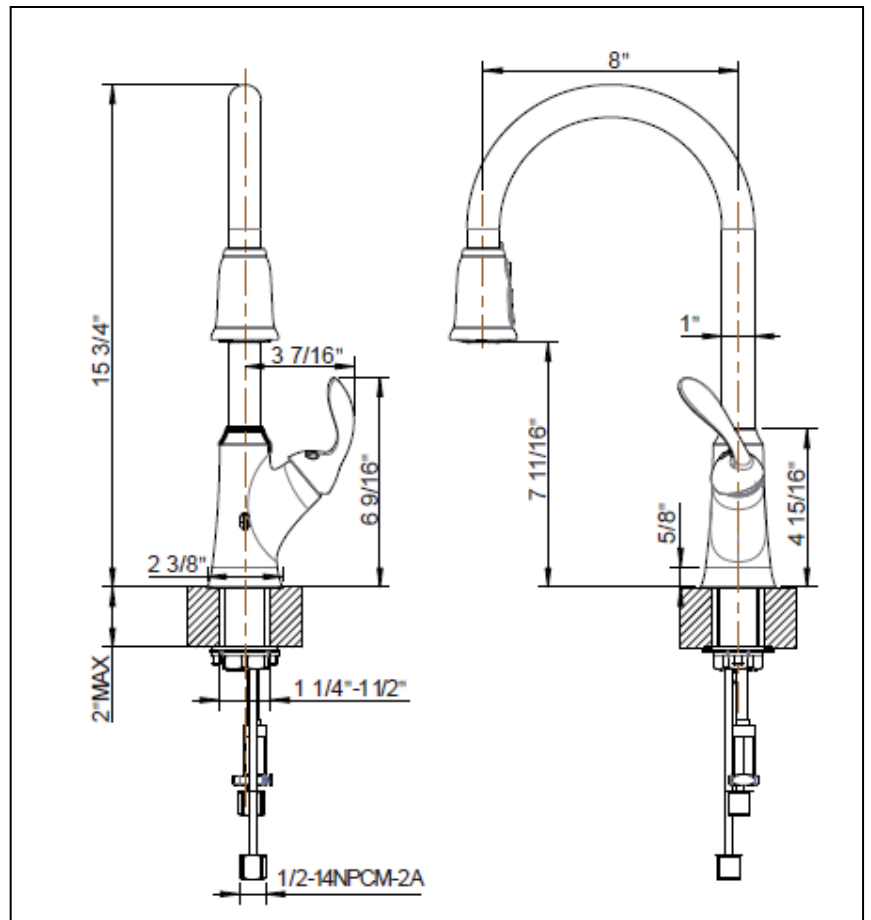
- Chrome (UF19300)
- Stainless steel (UF19303)
- Oil rubbed bronze (UF19305)

WARRANTY

- Limited lifetime warranty on workmanship and materials to the original purchaser

COMPLIES WITH

- NSF 61-9
- ANSI/ASME A112.18.1
- CSA B125.1
- IAPMO/UPC/cUPC
- AB1953



tel. 888-OK-ULTRA (658-5872) • fax. 949-225-6099 • <http://www.ultrafaucets.com>

This specification is provided for reference only. Ultra Faucets reserves the right to modify specifications and materials without notice or obligation.