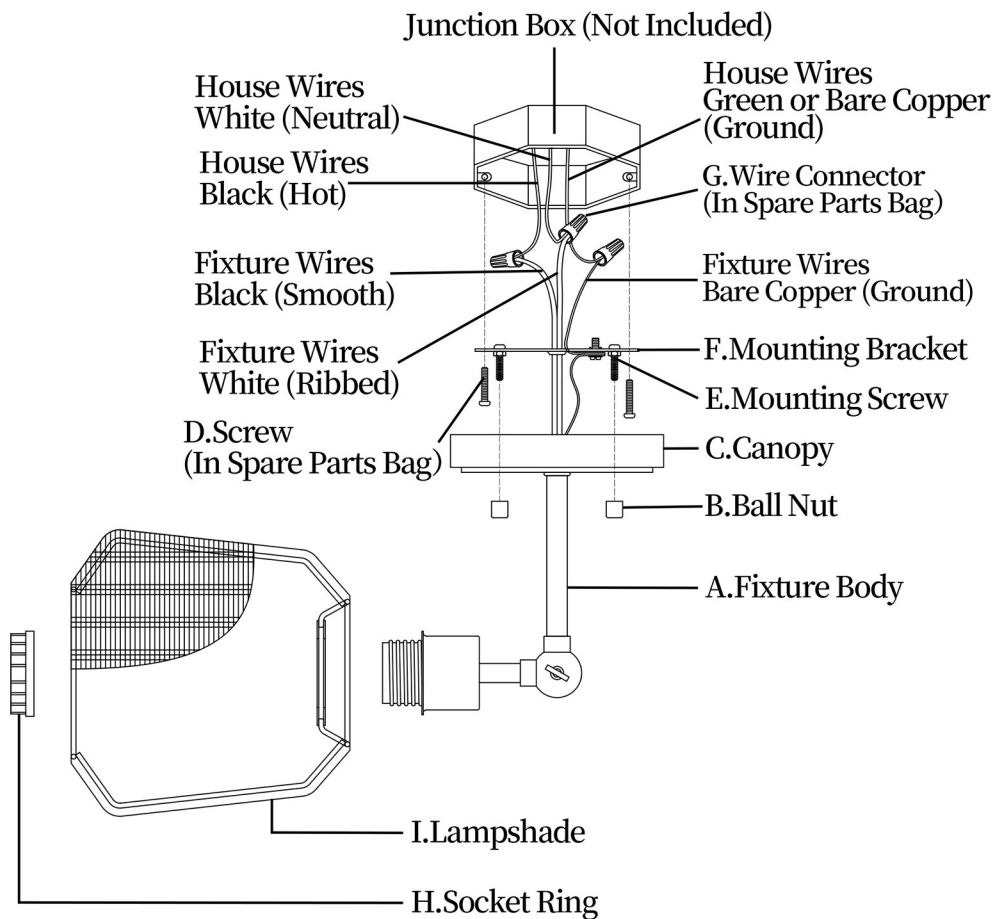
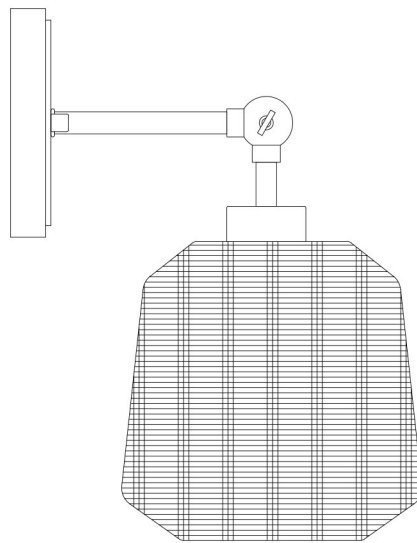


Assembly and Installation Instructions



Warning

1. To prevent electrical shock, always turn off the power at the circuit breaker before installing or servicing this fixture.
2. It is recommended to consult a licensed electrician to verify that the branch circuit conductor is properly installed and to assist with complex installations.
3. For added safety, consider wearing protective gear such as gloves and safety glasses during installation.

Tools Required

- Phillips head screwdriver
- Pliers
- Wire strippers
- Voltage tester

Package Contents

- Fixture Body x 1
- Lampshade x 1
- Socket Ring x 1
- Canopy x 1
- Mounting Bracket x 1
- Mounting Screws x 2
- Spare Parts Bag x 1
- Assembly and Installation Instructions x 1

Product Specifications

Type: Wall Sconce

Bulb Requirement: Requires 1 medium base bulb (E26), max 60W (bulb not included)

Voltage: 120V

Assembly and Installation Instructions

1. Carefully unpack the fixture, checking that all parts are complete and undamaged. If any parts are missing or damaged, please contact us promptly for assistance.
2. Use a voltage tester to confirm that no power is running to the junction box. Ensure that the junction box is structurally secure and that no wires are exposed.
3. Secure the mounting bracket (F) to the junction box using the provided screws (D) from the spare parts bag.
4. **Wire Connection Steps:**
 - a. Locate the wire connectors (G) supplied with the fixture.
 - b. Attach the fixture's ground wire to the green screw on the mounting bracket (F). To do this, wrap the ground wire clockwise around the green screw, ensuring that the wire is securely in contact with the screw. Tighten the screw firmly to hold the ground wire in place. Make sure that there is enough excess ground wire to allow for a secure connection to the house's ground wire.

c. Connect the house wires to the fixture wires: black (hot) to black (smooth), white (neutral) to white (ribbed), and green/bare copper (ground) to bare copper (ground).

d. Insert the aligned wire ends into the wire connector (G) and twist until tight. A secure connection is confirmed when the wires remain firmly connected with a light tug. Repeat for each wire pair.

4. Carefully raise the fixture and align it with the mounting bracket (F). Secure it using the provided mounting screws (E) and ball nuts (B). Properly conceal any visible wiring.

5. Remove the socket ring (H). Install the lampshade (I) over the socket of the fixture (A), then secure it with the socket ring (H).

6. Once the fixture is securely mounted, install the light bulb, making sure not to exceed the recommended wattage of 60W.

7. Restore power at the circuit breaker.

Maintain a safe distance from the fixture until it has been confirmed to be functioning correctly.

Friendly Reminder

1. Due to the unique materials used in this fixture, slight variances are normal and add to the character of the piece
2. If you encounter difficulties during installation, don't hesitate to reach out for help. We're committed to ensuring your installation process is smooth and successful.

Maintenance Instructions

1. Periodically inspect the fixture for any loose connections or signs of wear. Secure any loose parts and replace worn components promptly to prolong its lifespan.
2. Clean the fixture using a soft, dry cloth, feather duster, or microfiber duster. Avoid using liquid cleaners or abrasive materials.
3. When replacing bulbs, ensure the fixture is switched off and cooled down before handling. Use bulbs of the appropriate wattage to prevent heat damage.
4. This fixture is designed for indoor, dry environments only. Exposure to outdoor or moist conditions can lead to damage.