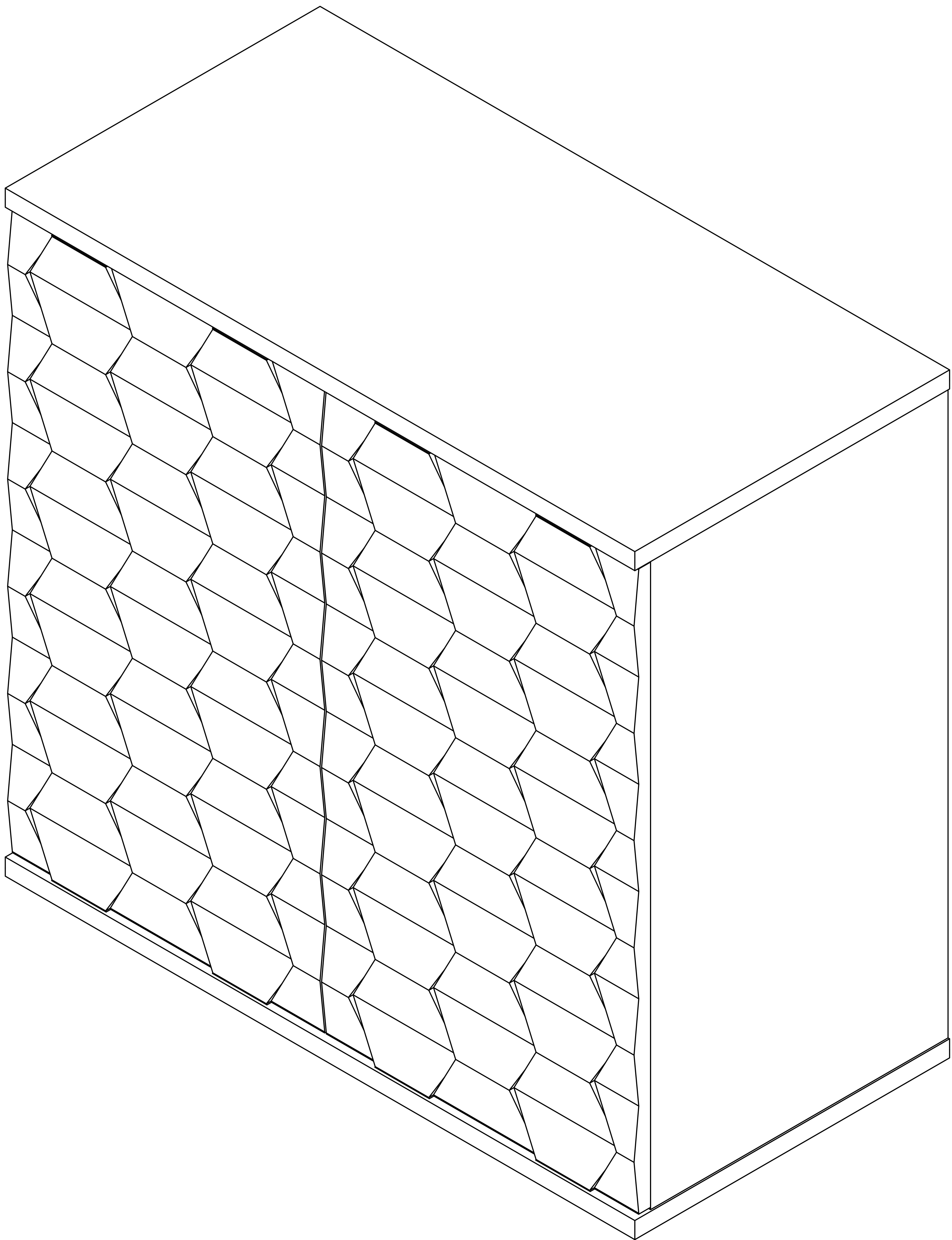
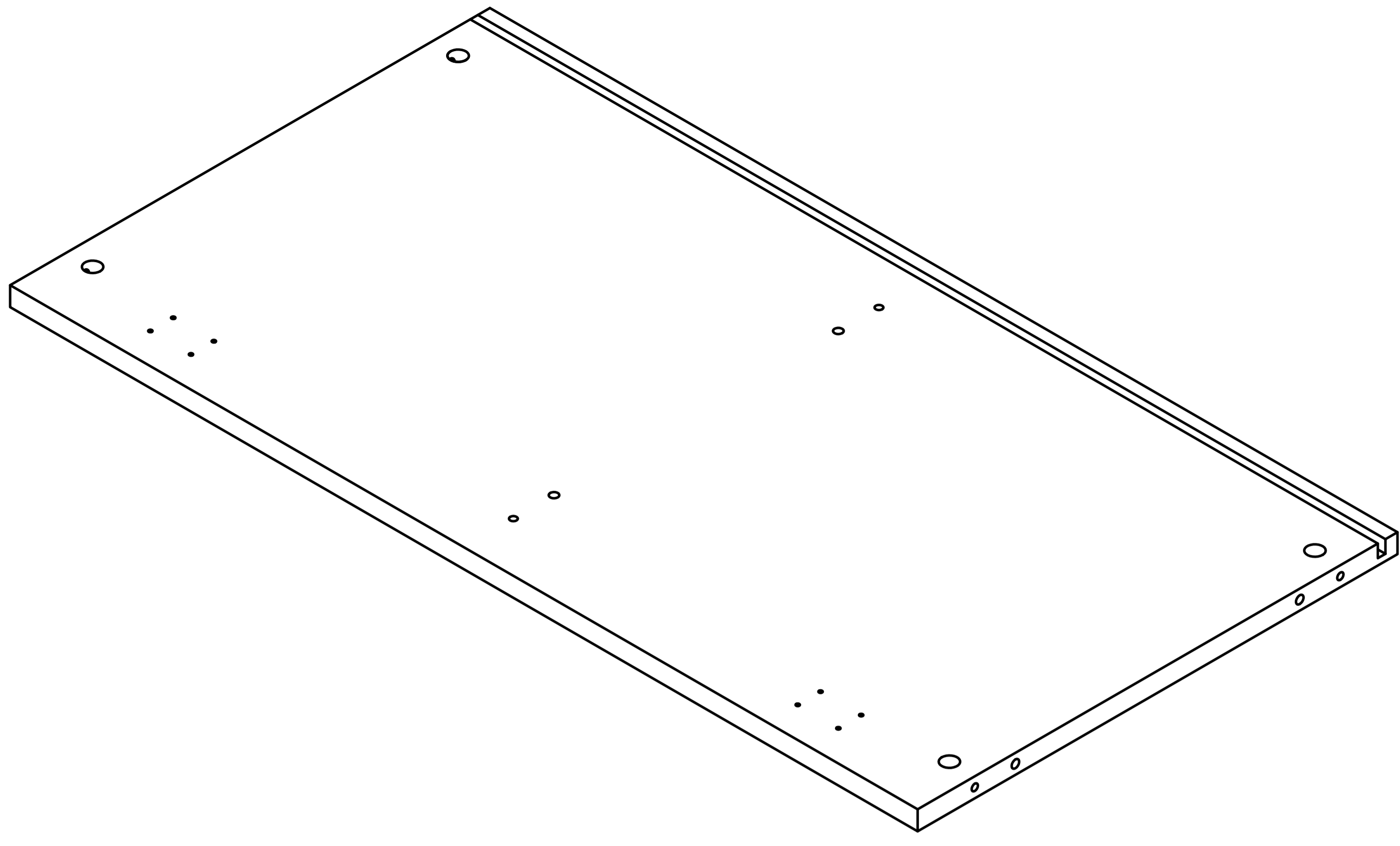
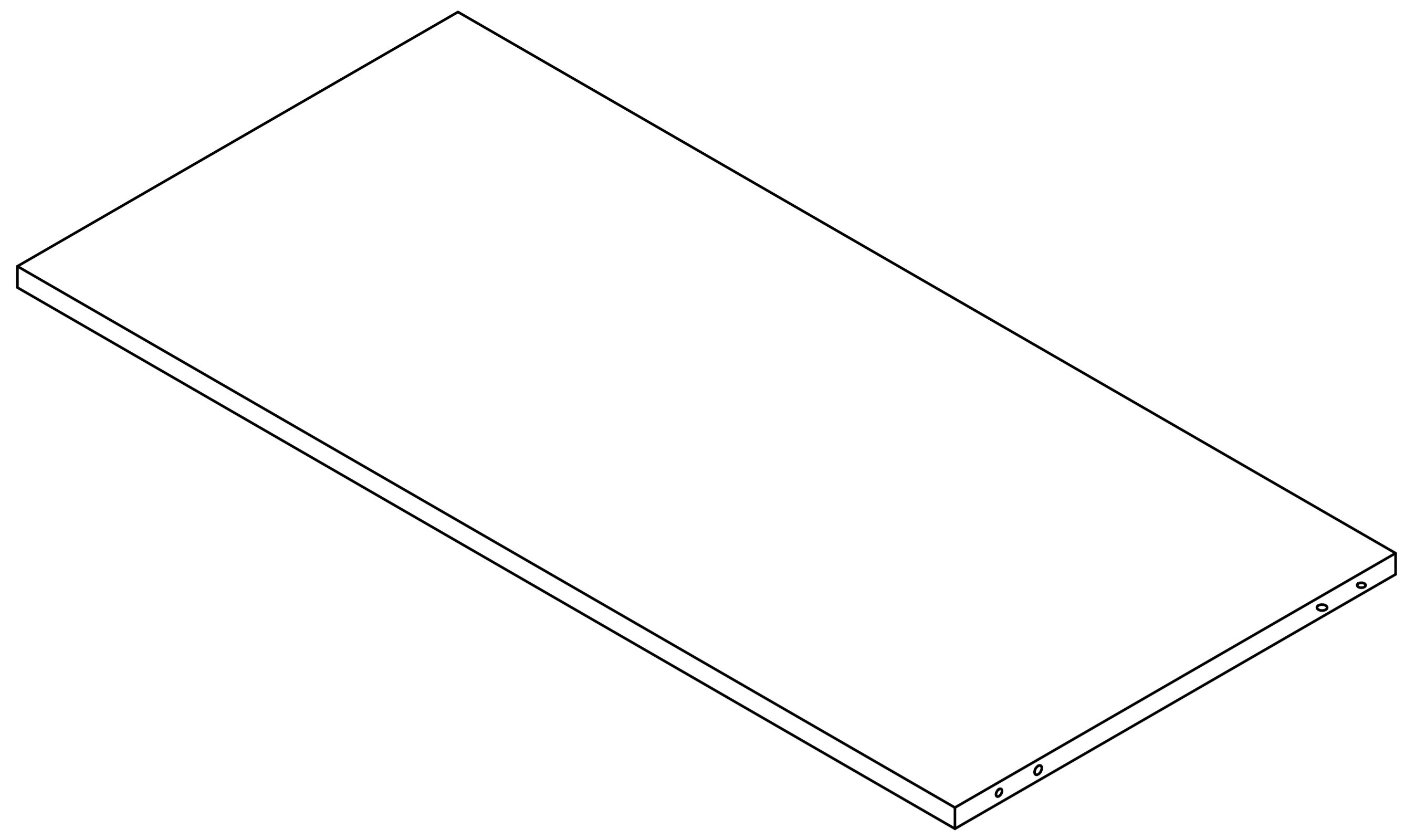


# Product Installation Instructions

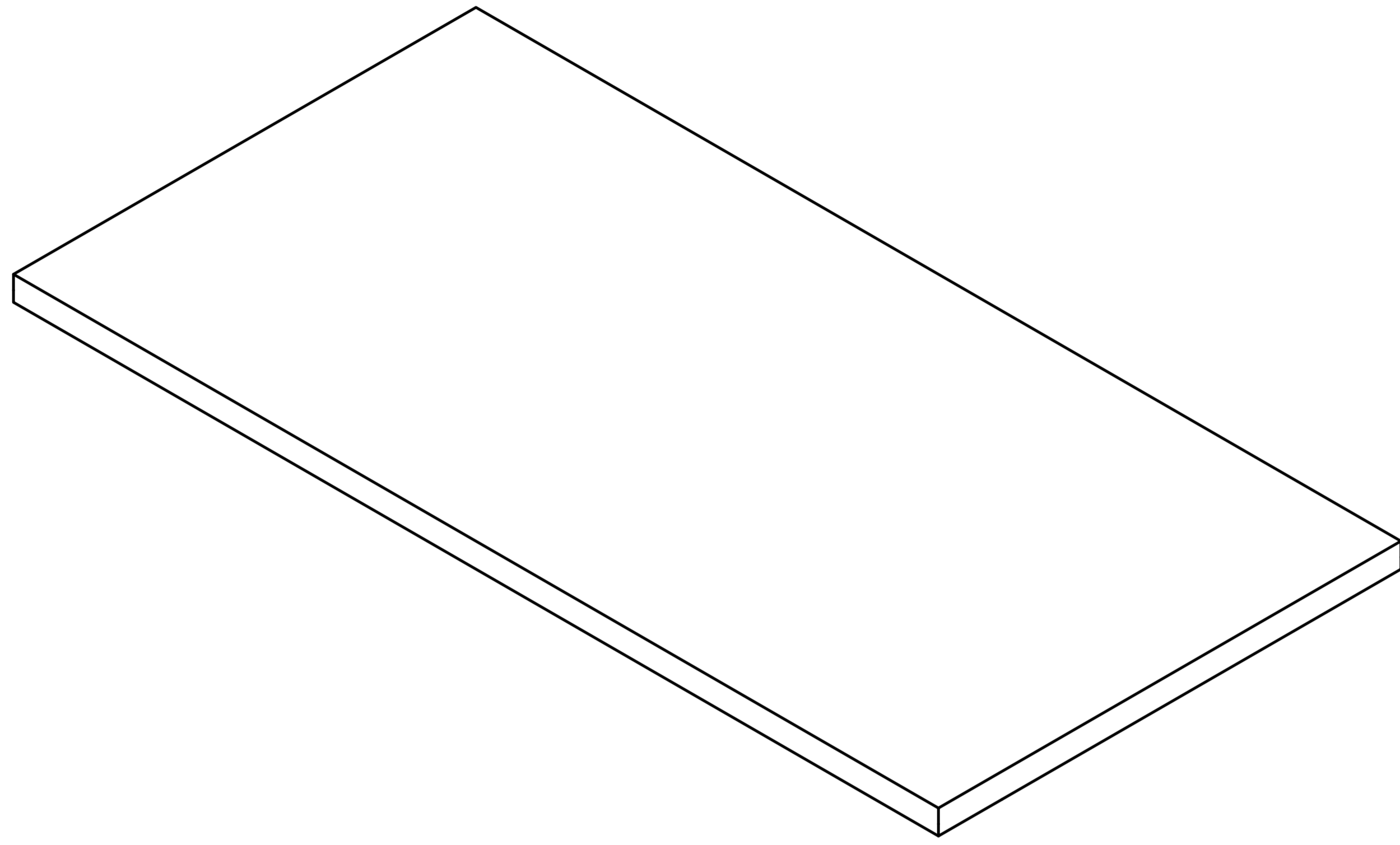




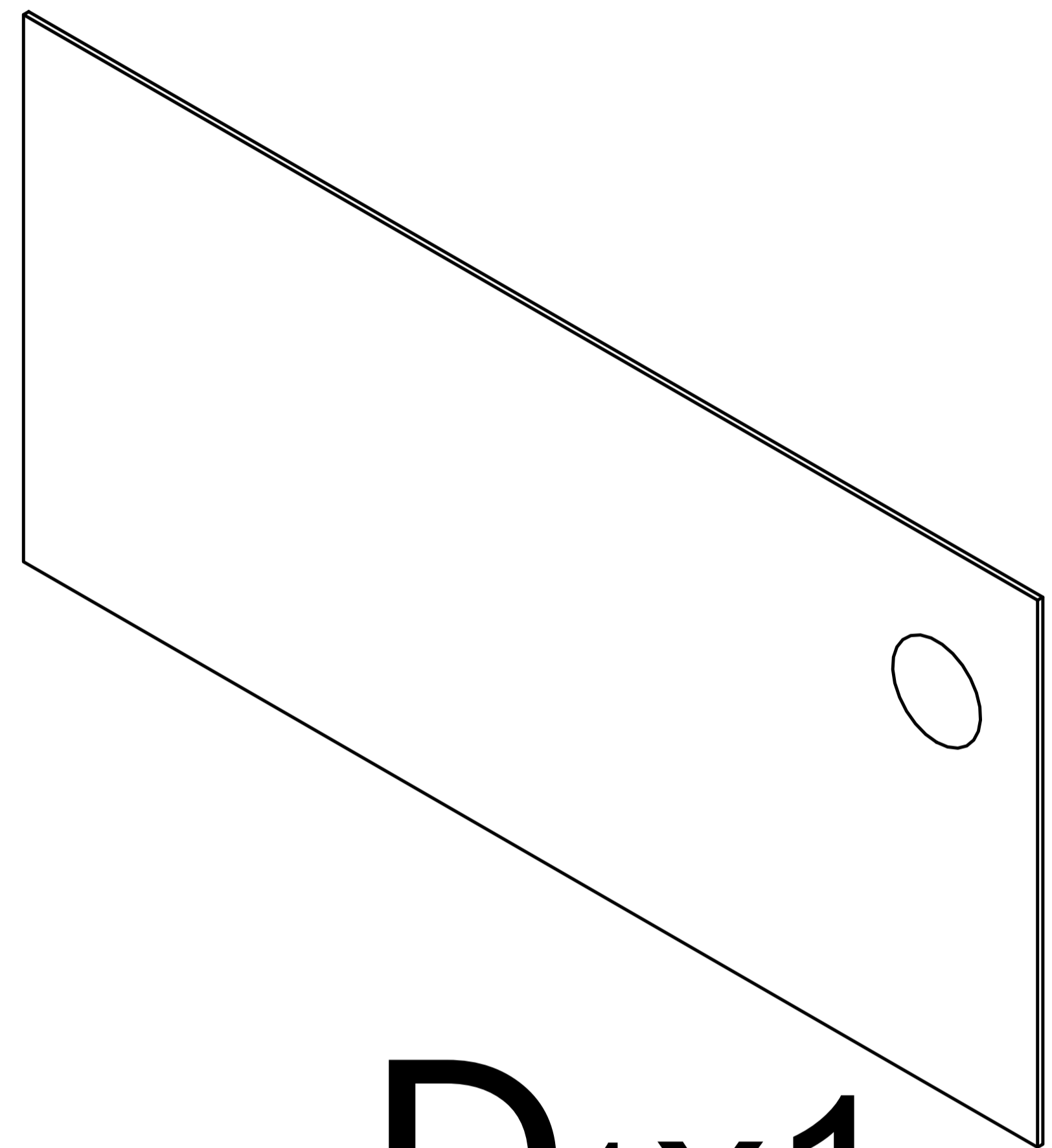
**A x2**



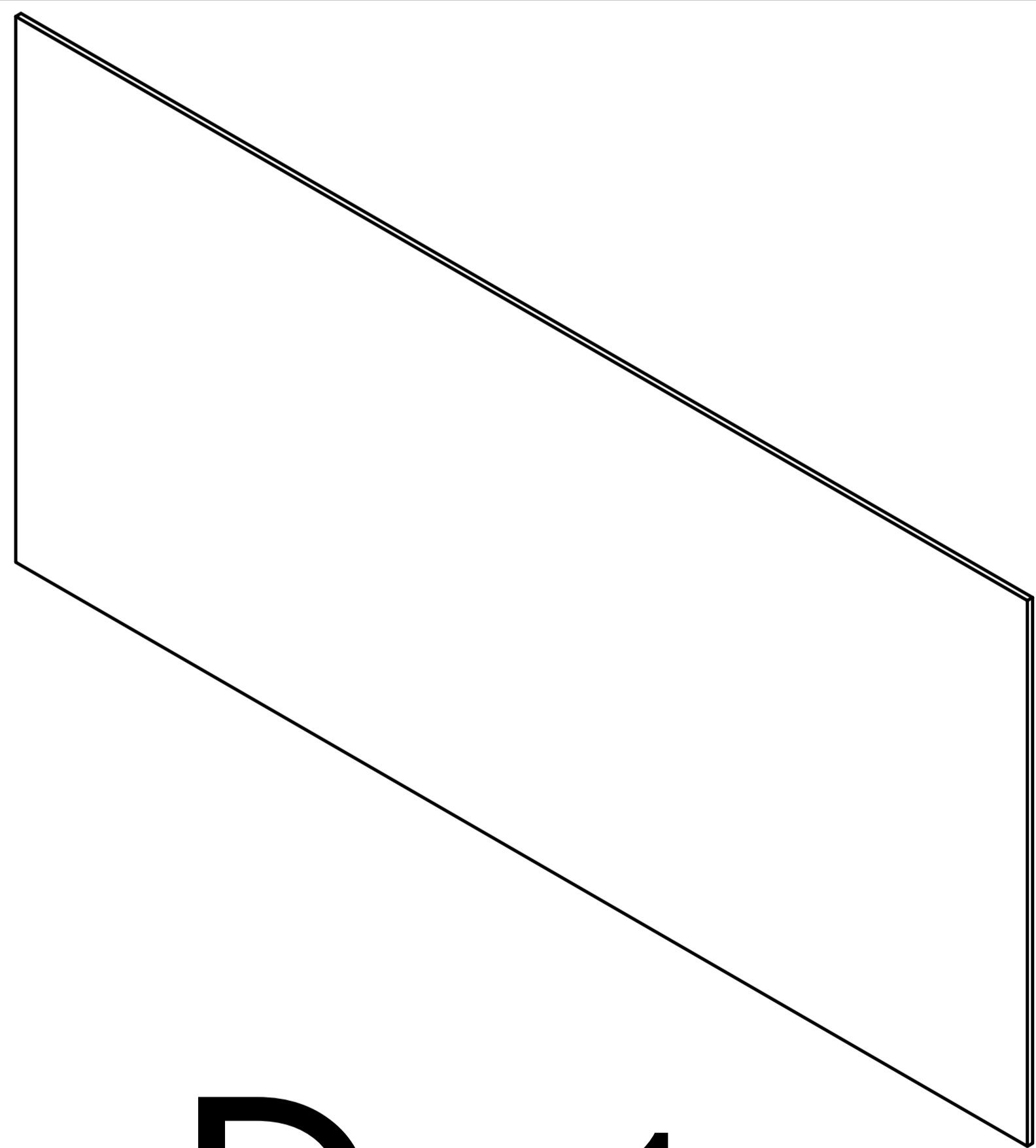
**B x1**



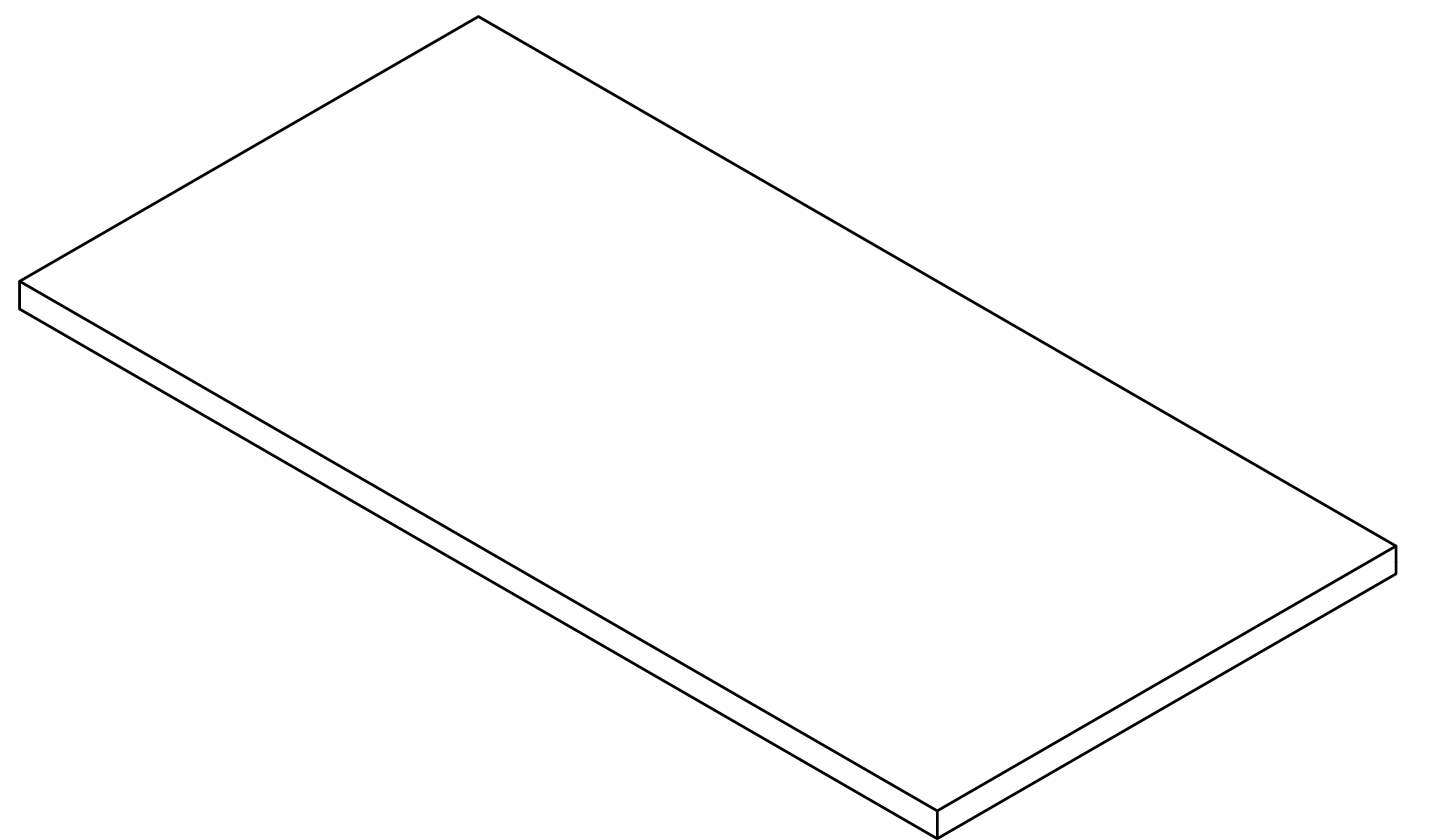
**C x1**



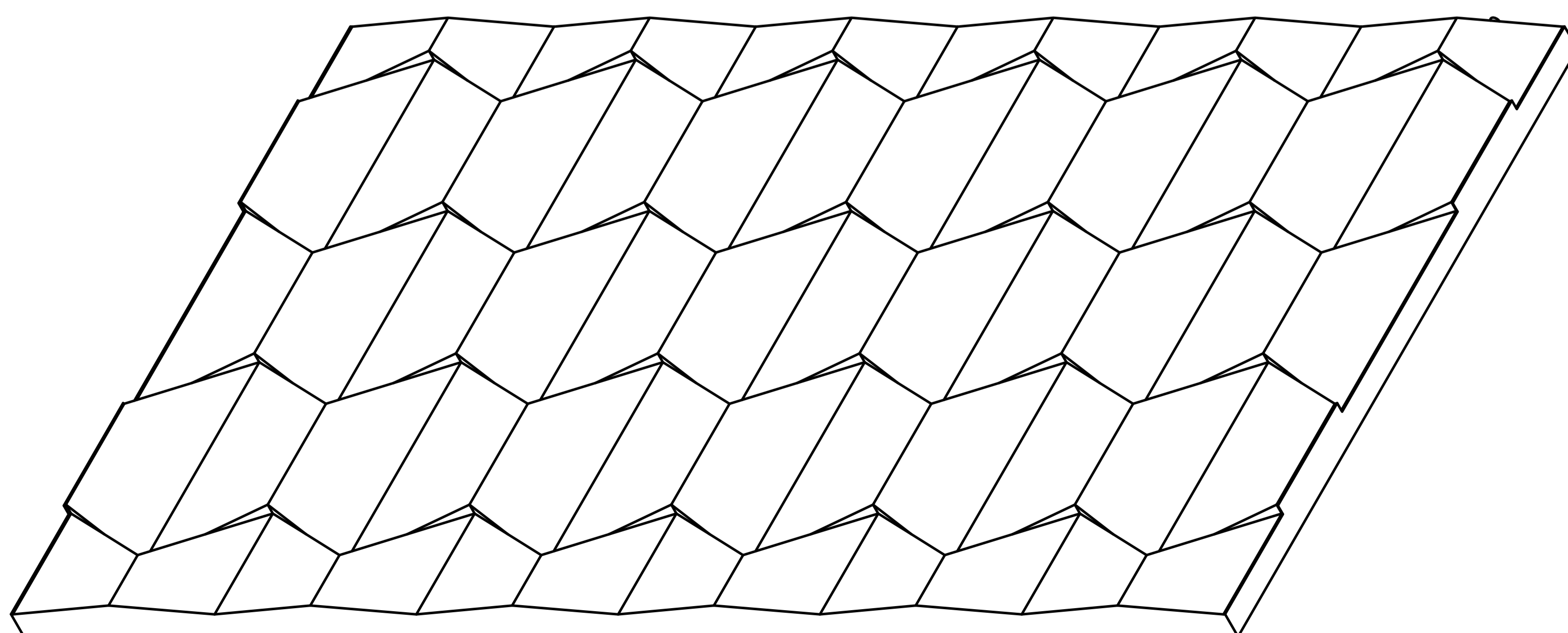
**D<sub>1</sub>x1**



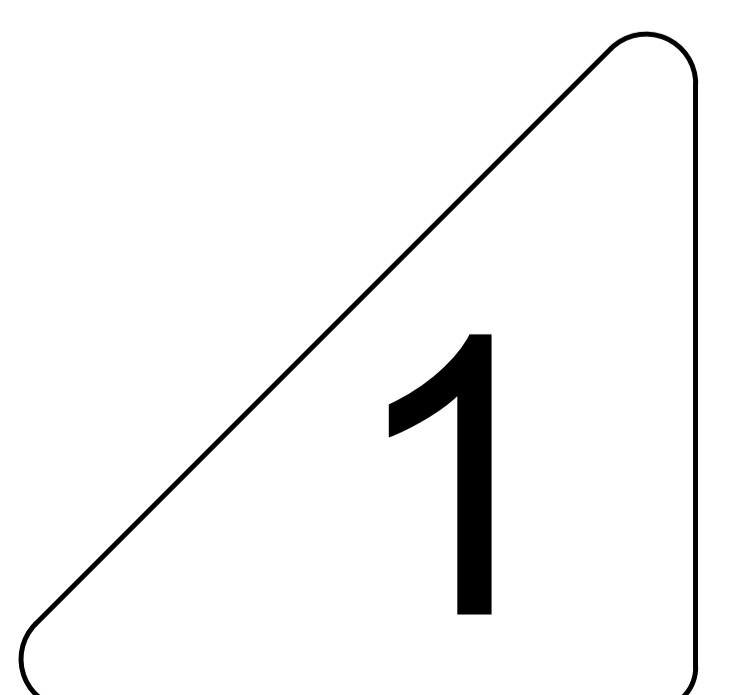
**D<sub>2</sub>x1**



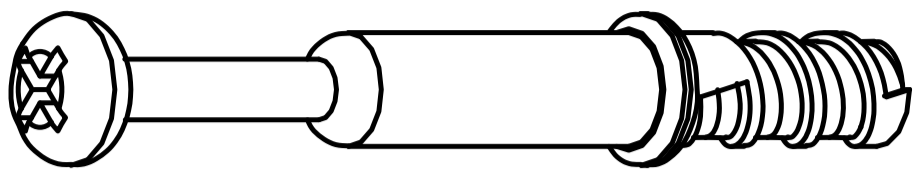
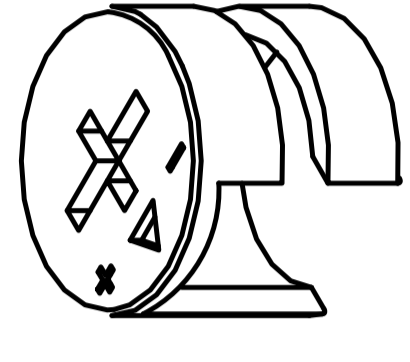
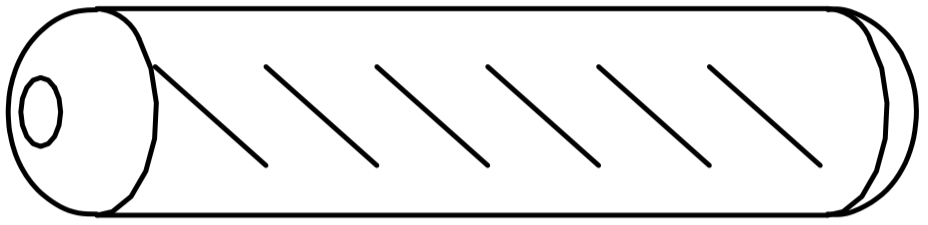
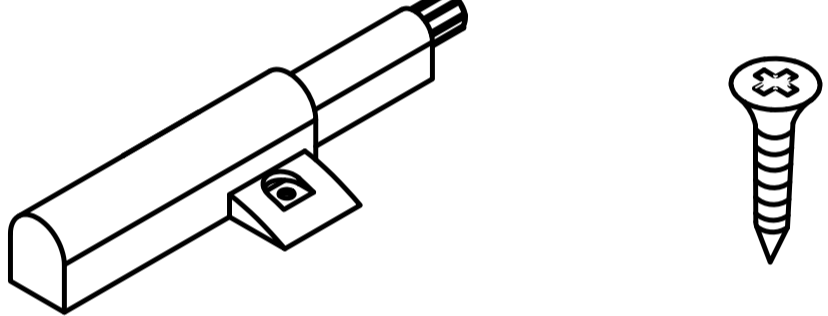
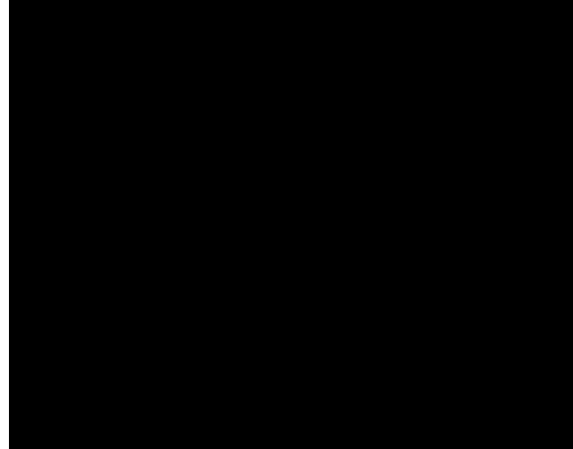
**E x1**

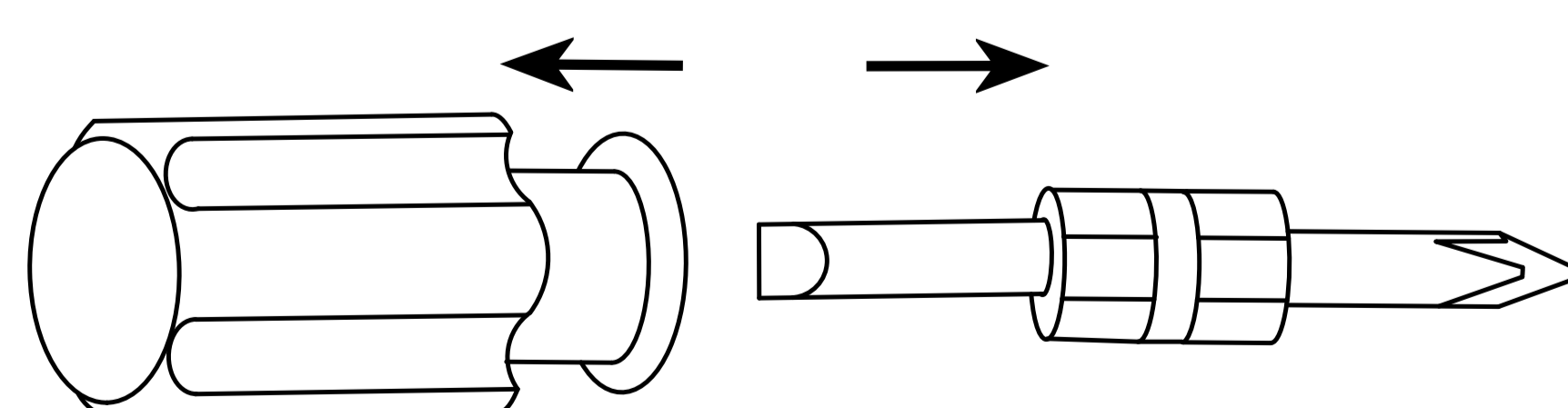
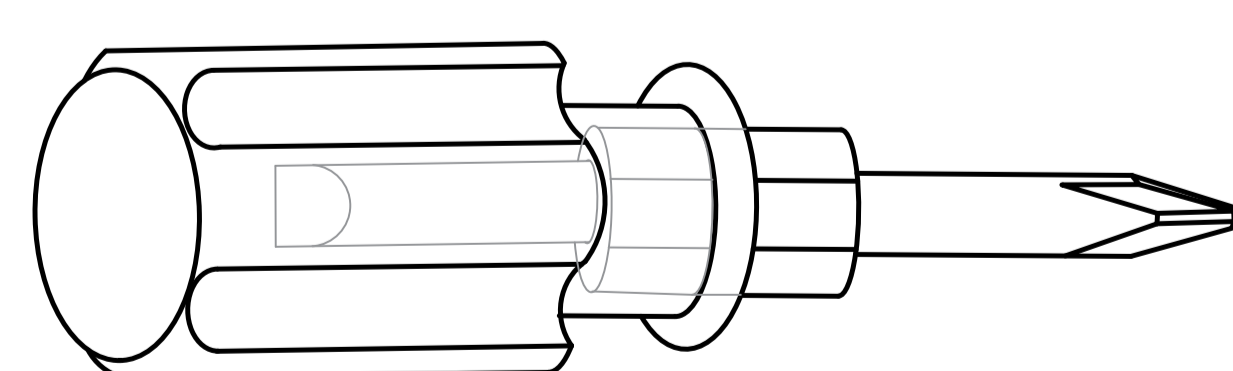


**F x2**



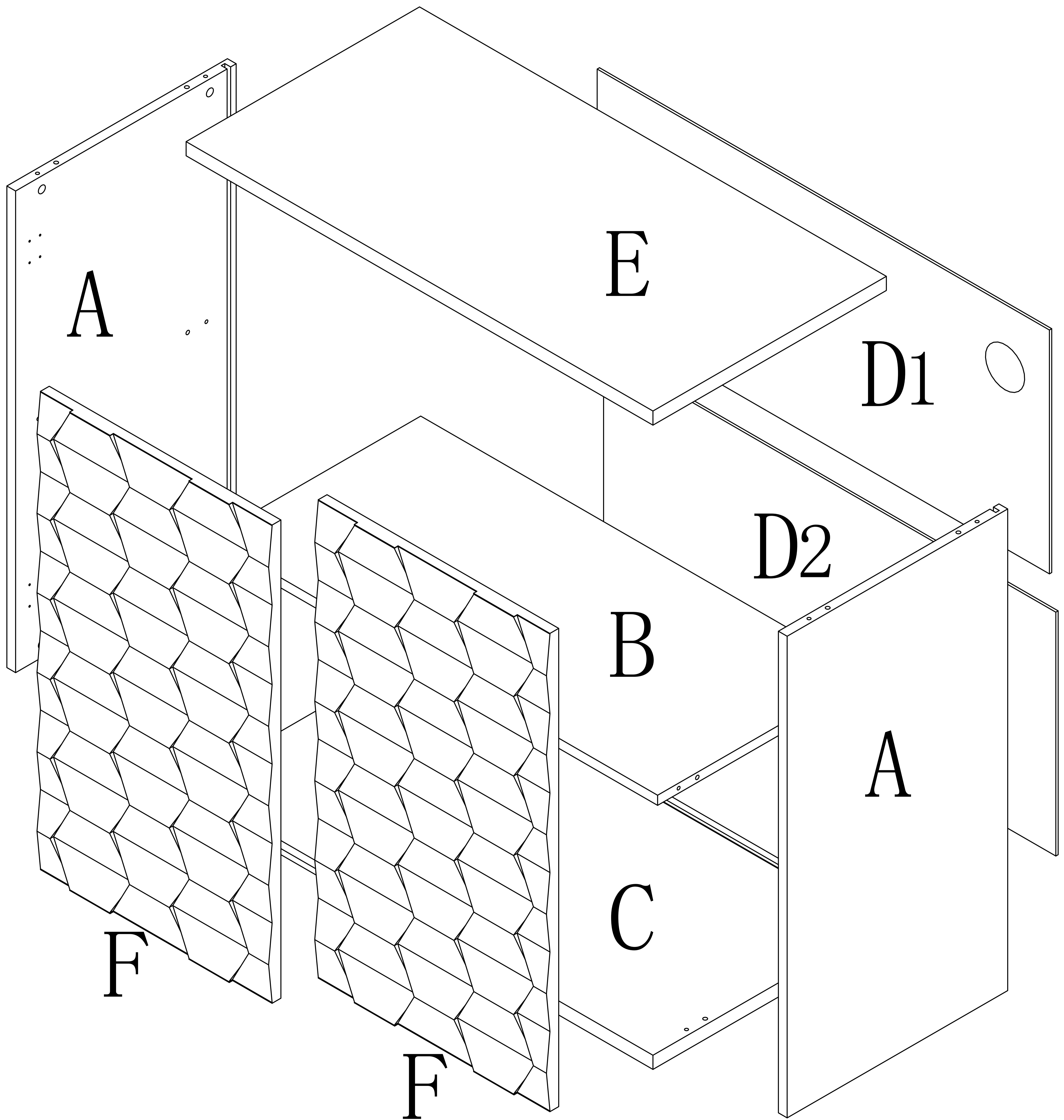
# Accessories list

①		Two In One Screw (6x28mm)	12pcs +2pcs
②		Two In One Nut (10x12mm)	12pcs +2pcs
③		Wood Chipping (6x30mm)	12pcs +2pcs
④		Cabinet door rebound device Screw (3.5x12mm)	4pcs +2pcs 2pcs
⑤		Hinge & Screw (3.5x14mm)	24pcs +2pcs 4pcs
⑥		Fixing clip & screw (3x16mm)	6pcs +2pcs
⑦		Non-slip pads (35x35x2mm)	4pcs +2pcs



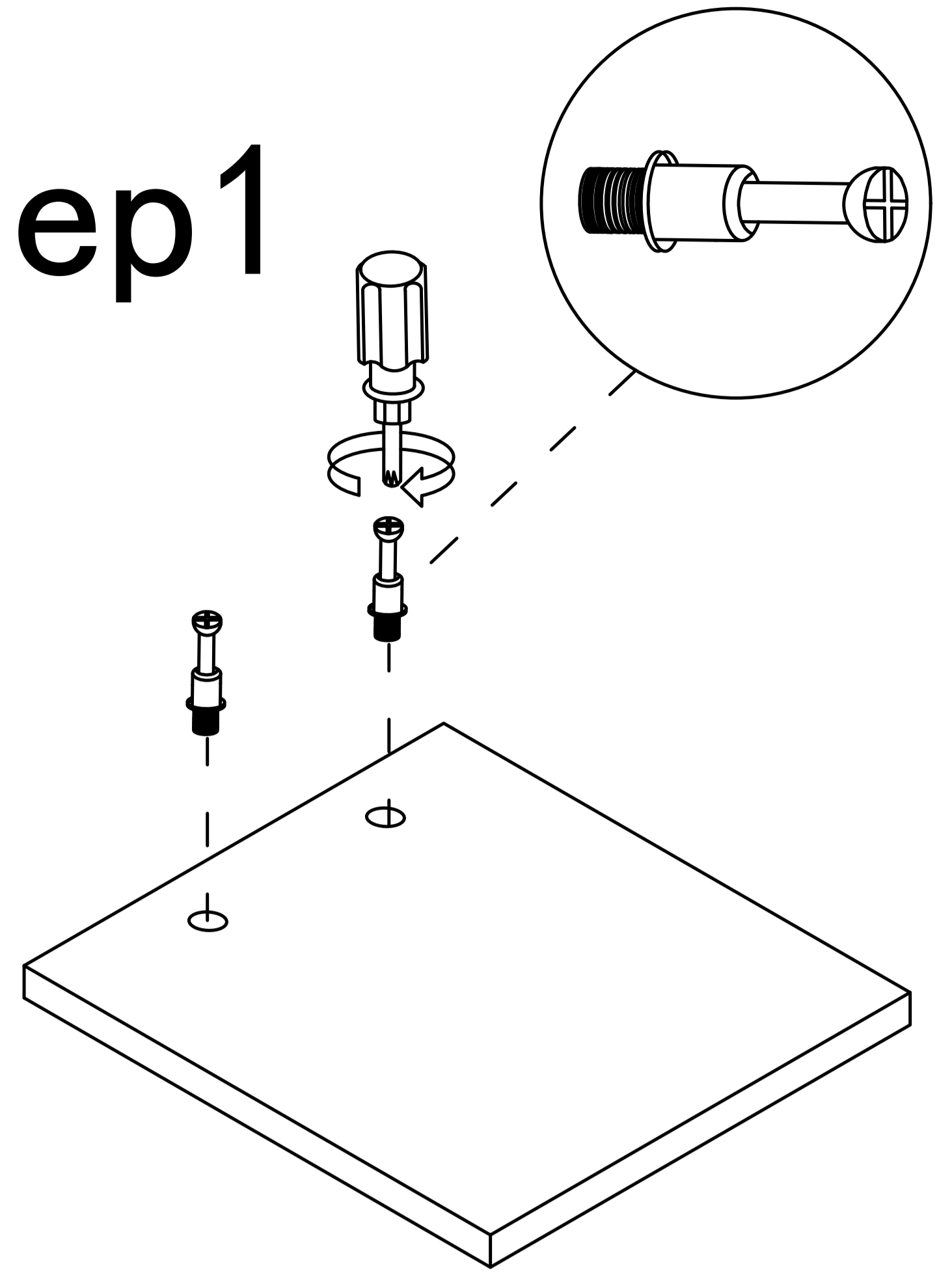
**1 pcs**  
Double-head screwdriver, use as required

# Product structure decomposition

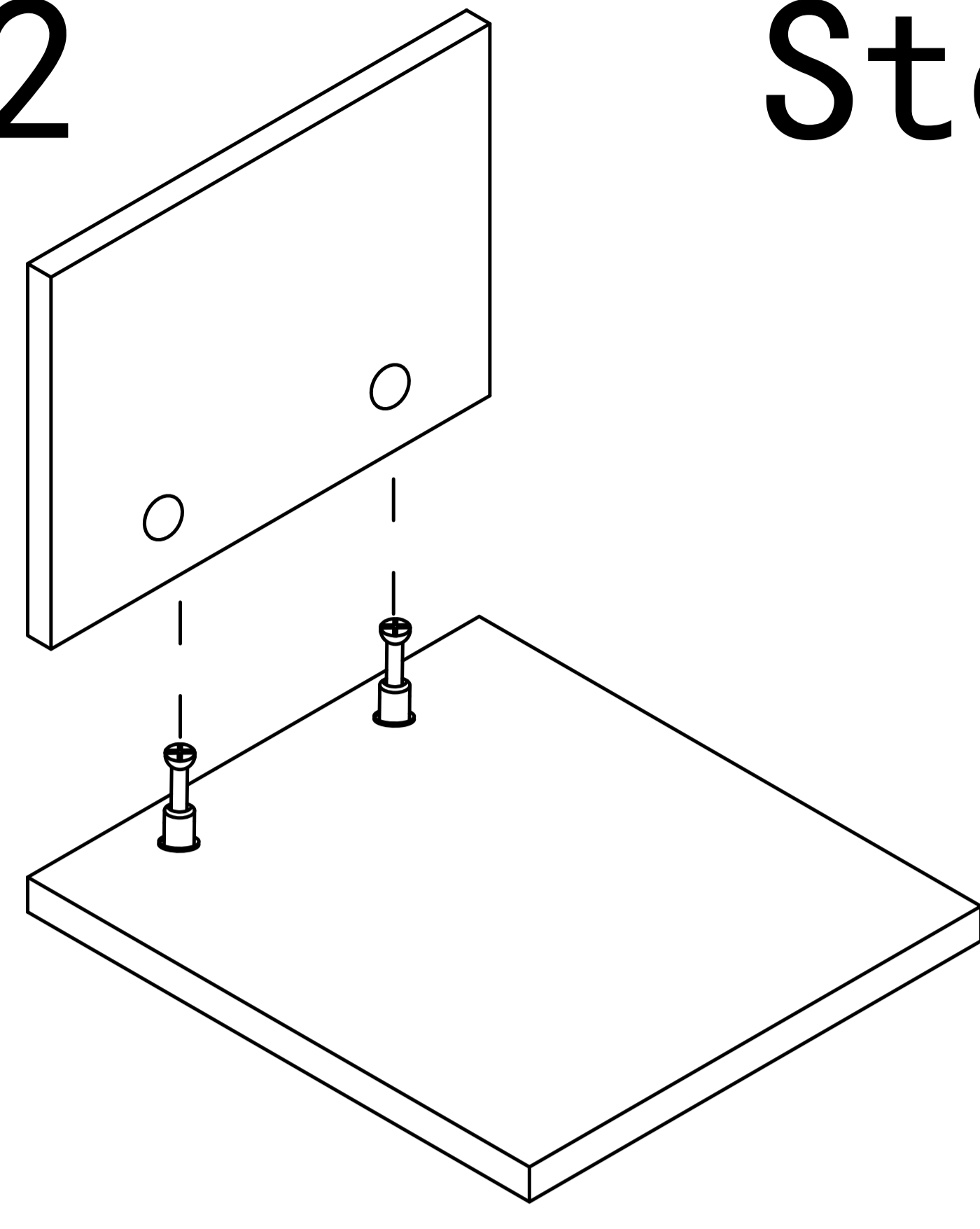


# Use parts ① and ②

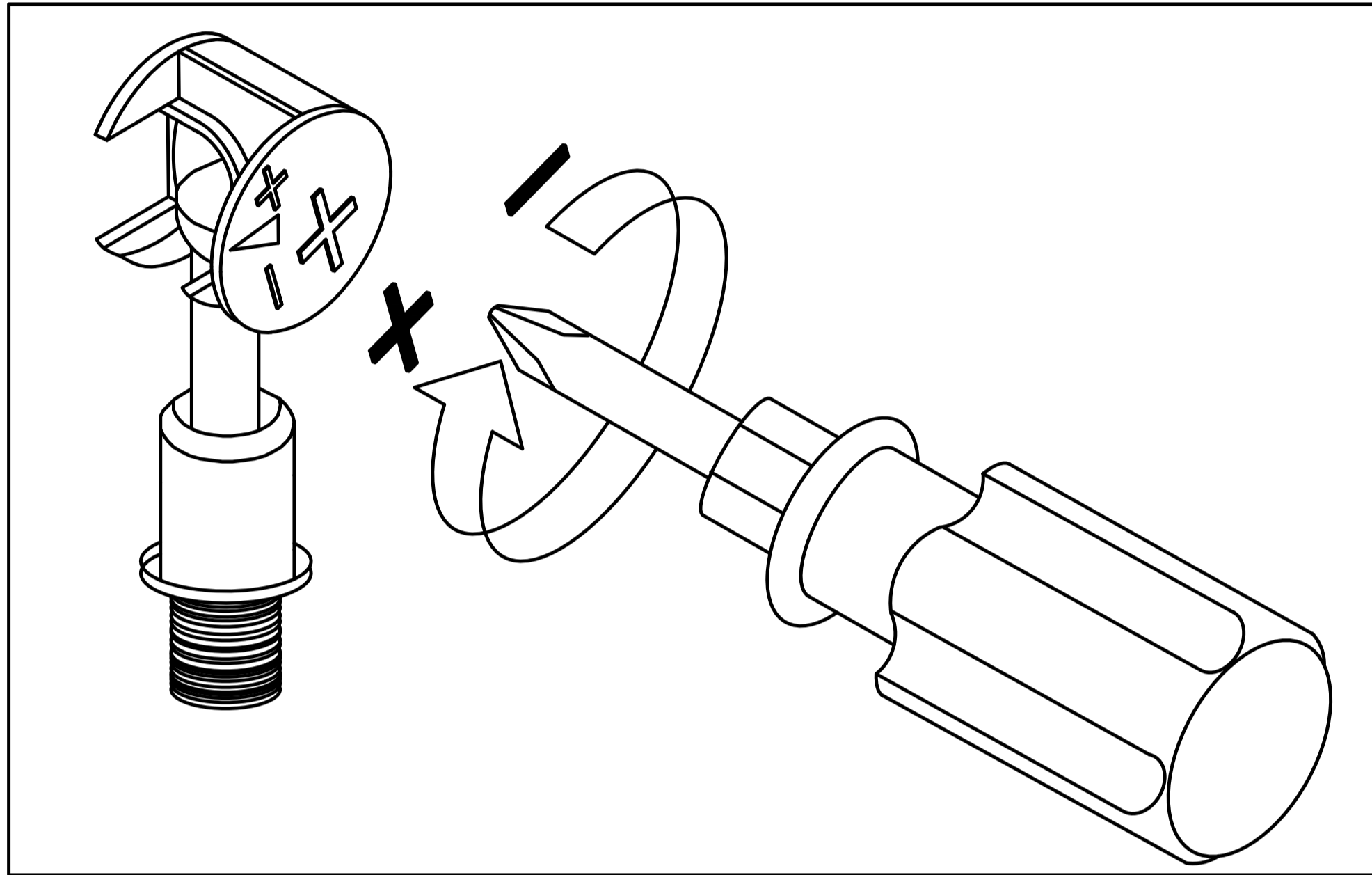
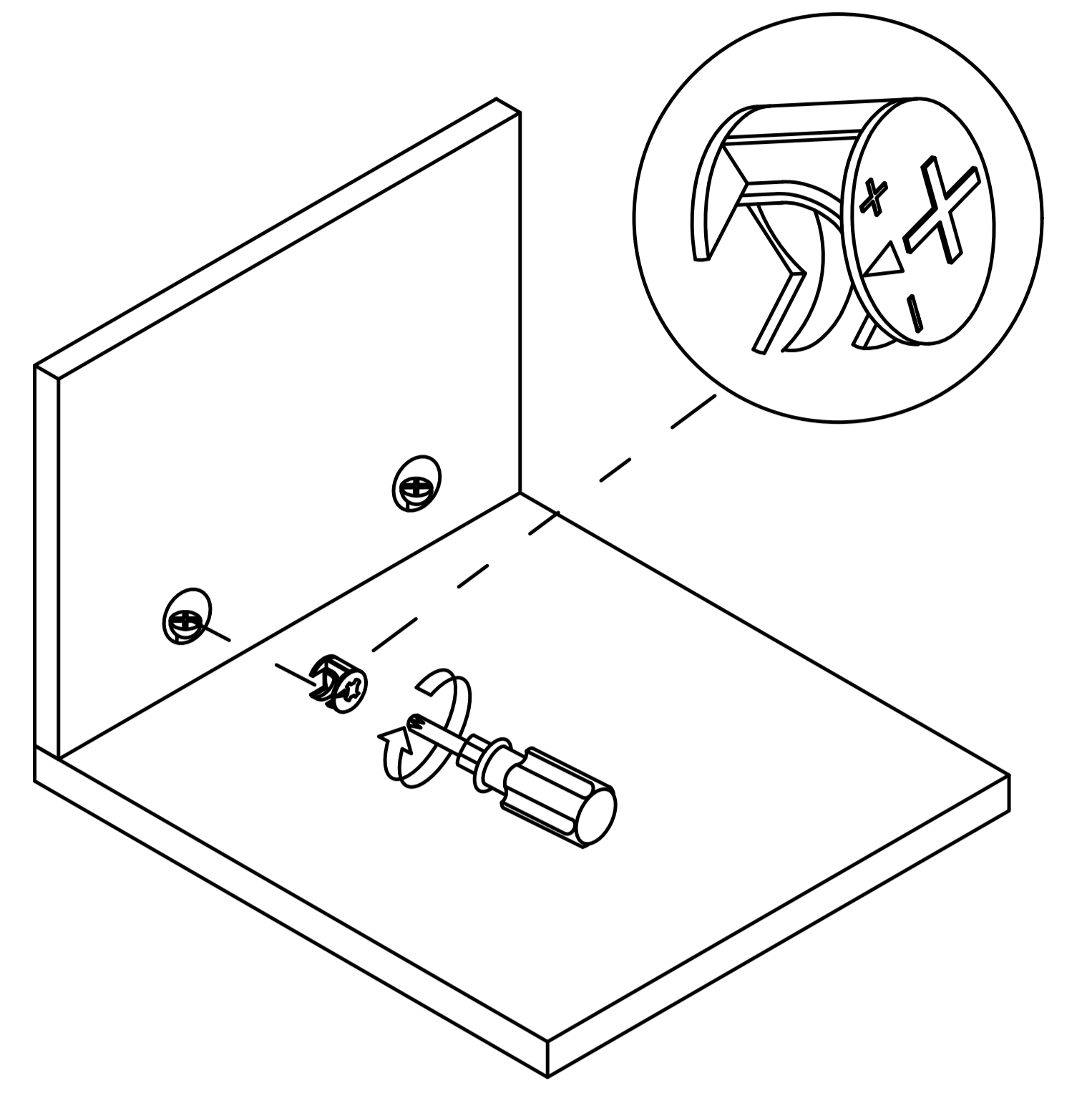
Step 1



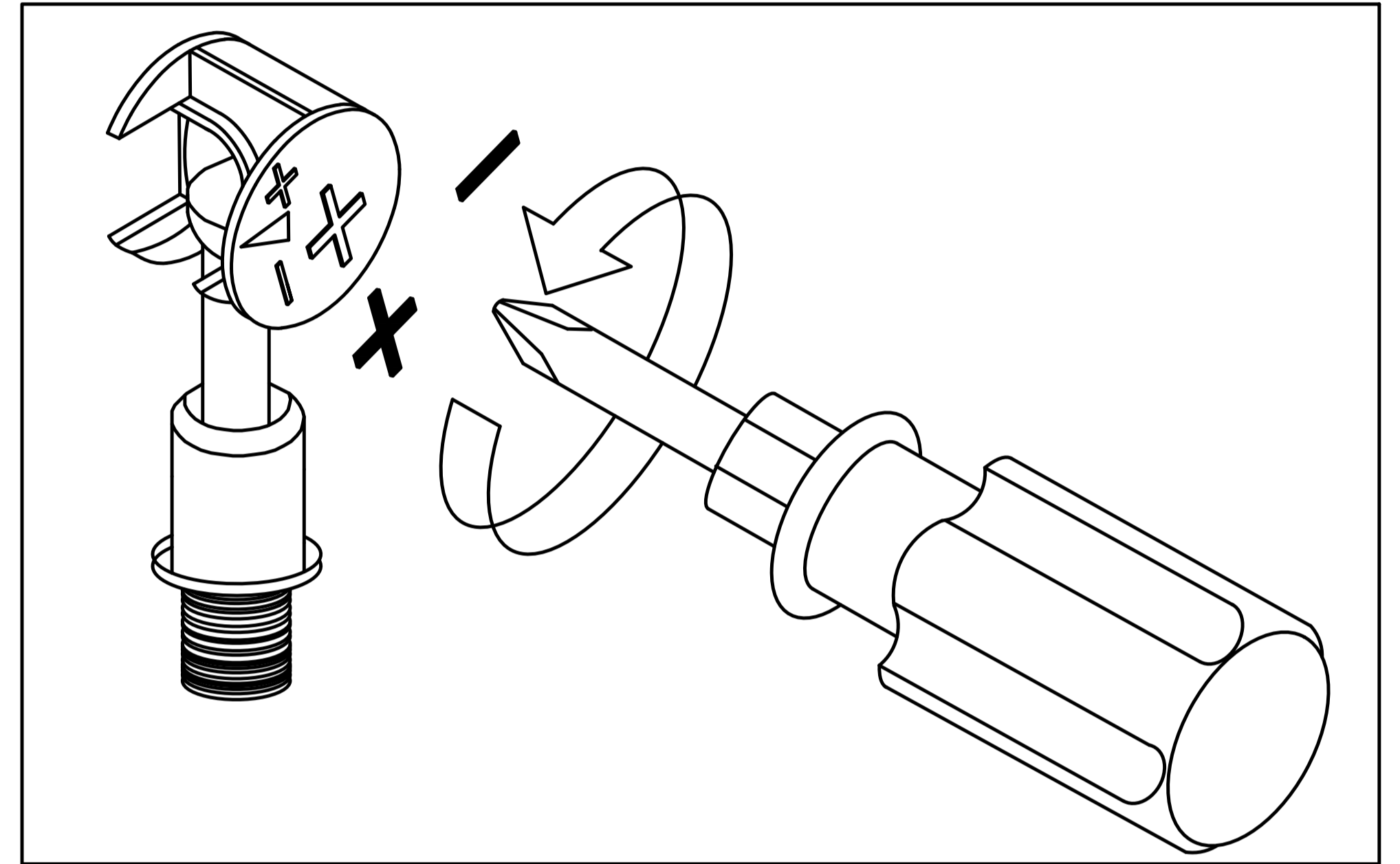
Step 2



Step 3

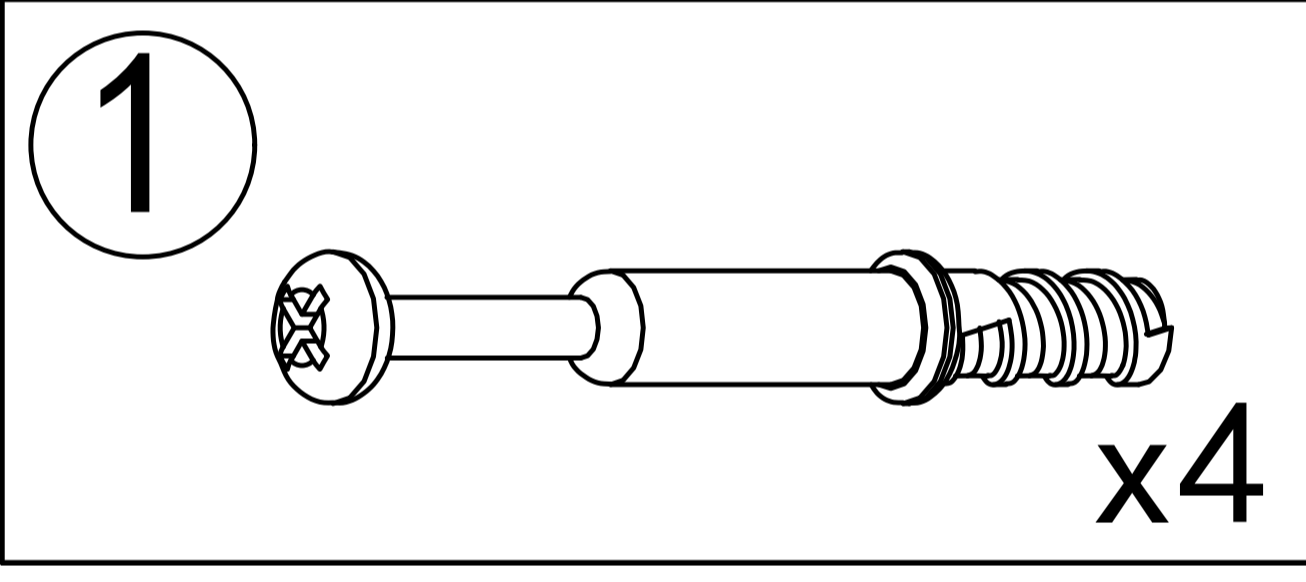
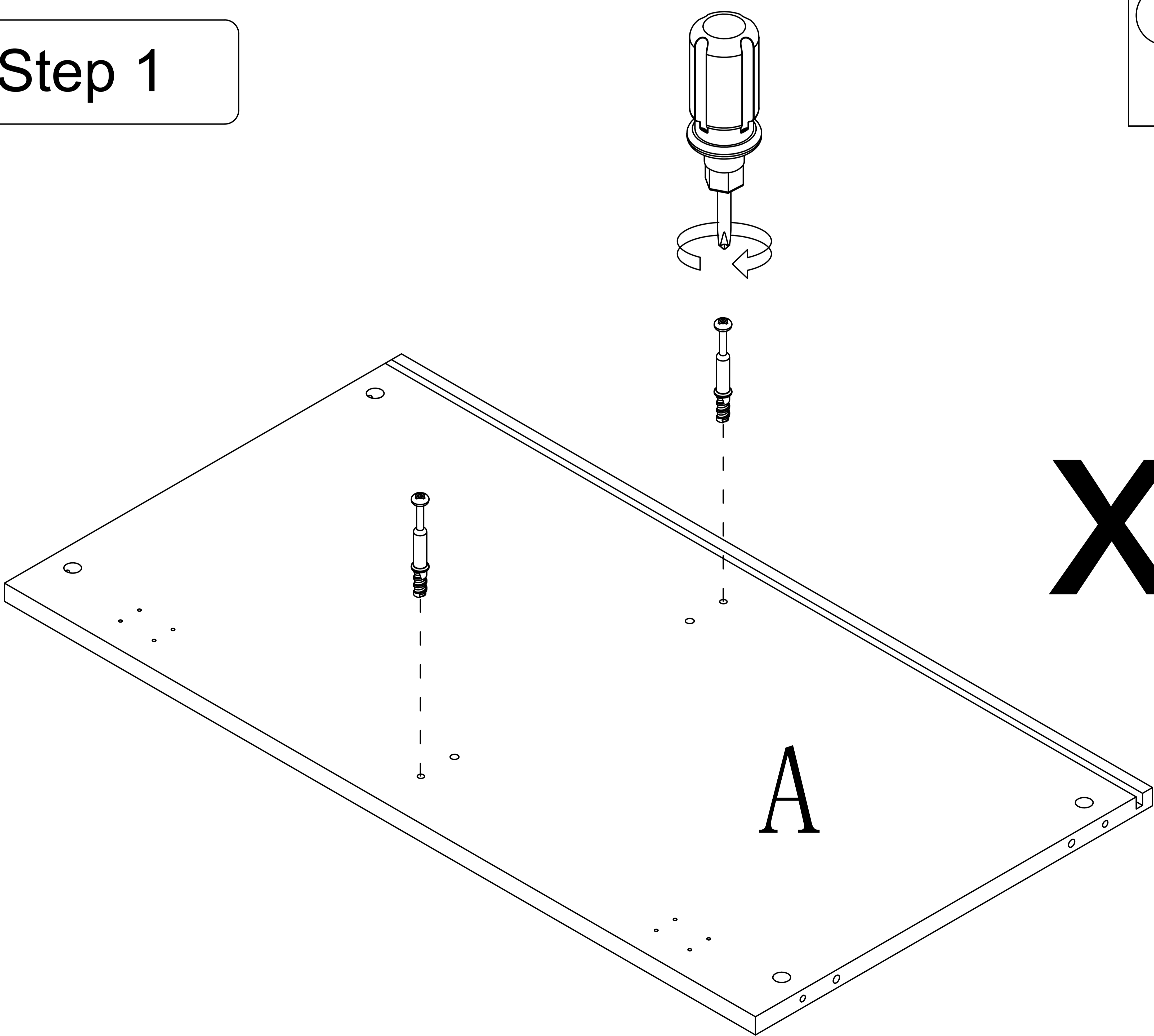


Use a screwdriver to lock in the direction of the "+" sign



Disassemble along the direction of "-" sign

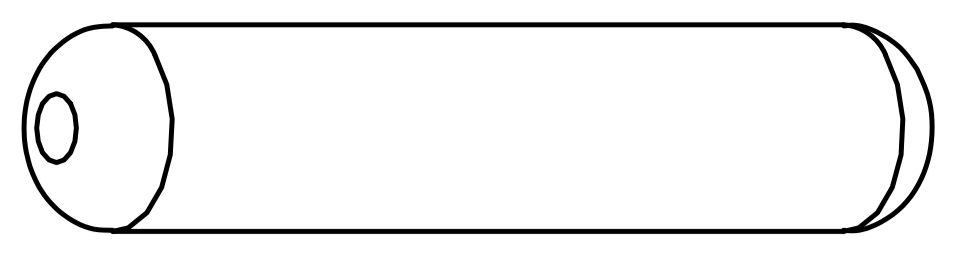
Step 1

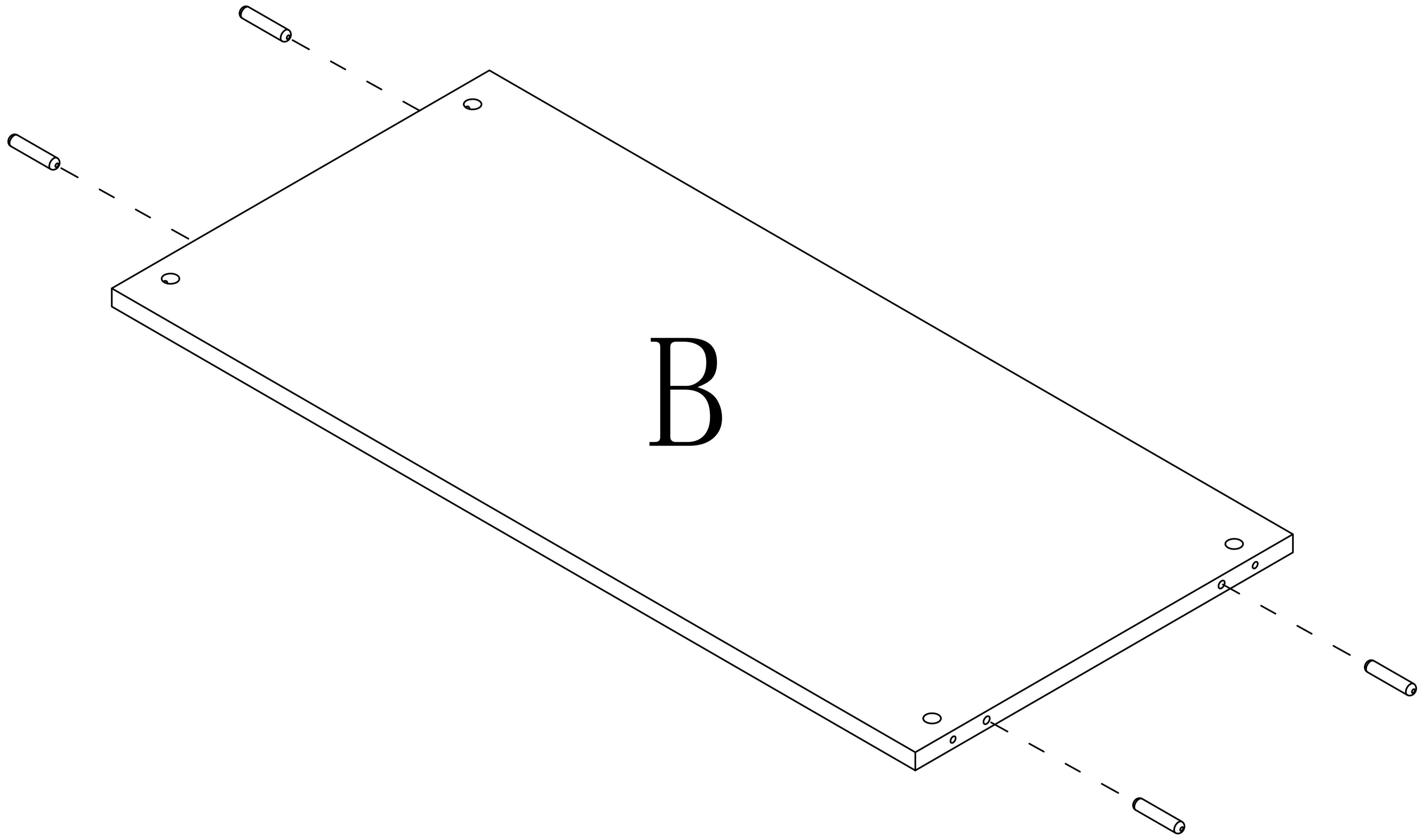


x2

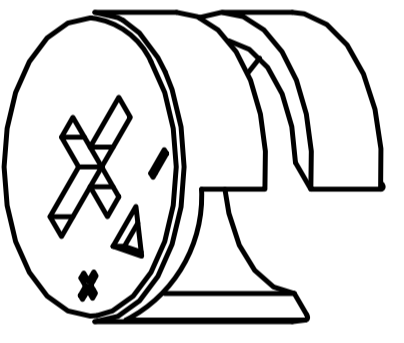
4

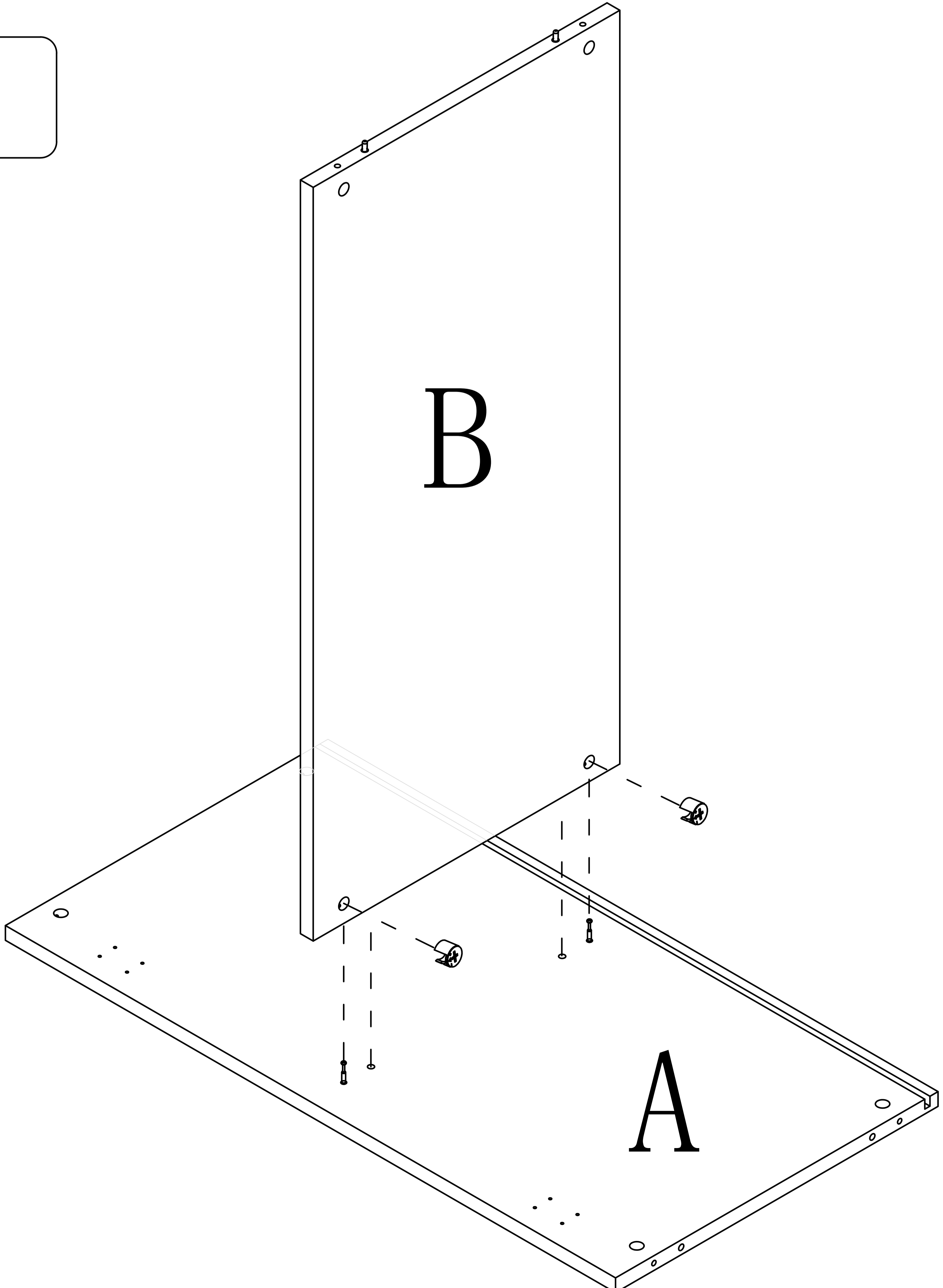
Step 2

3  x4

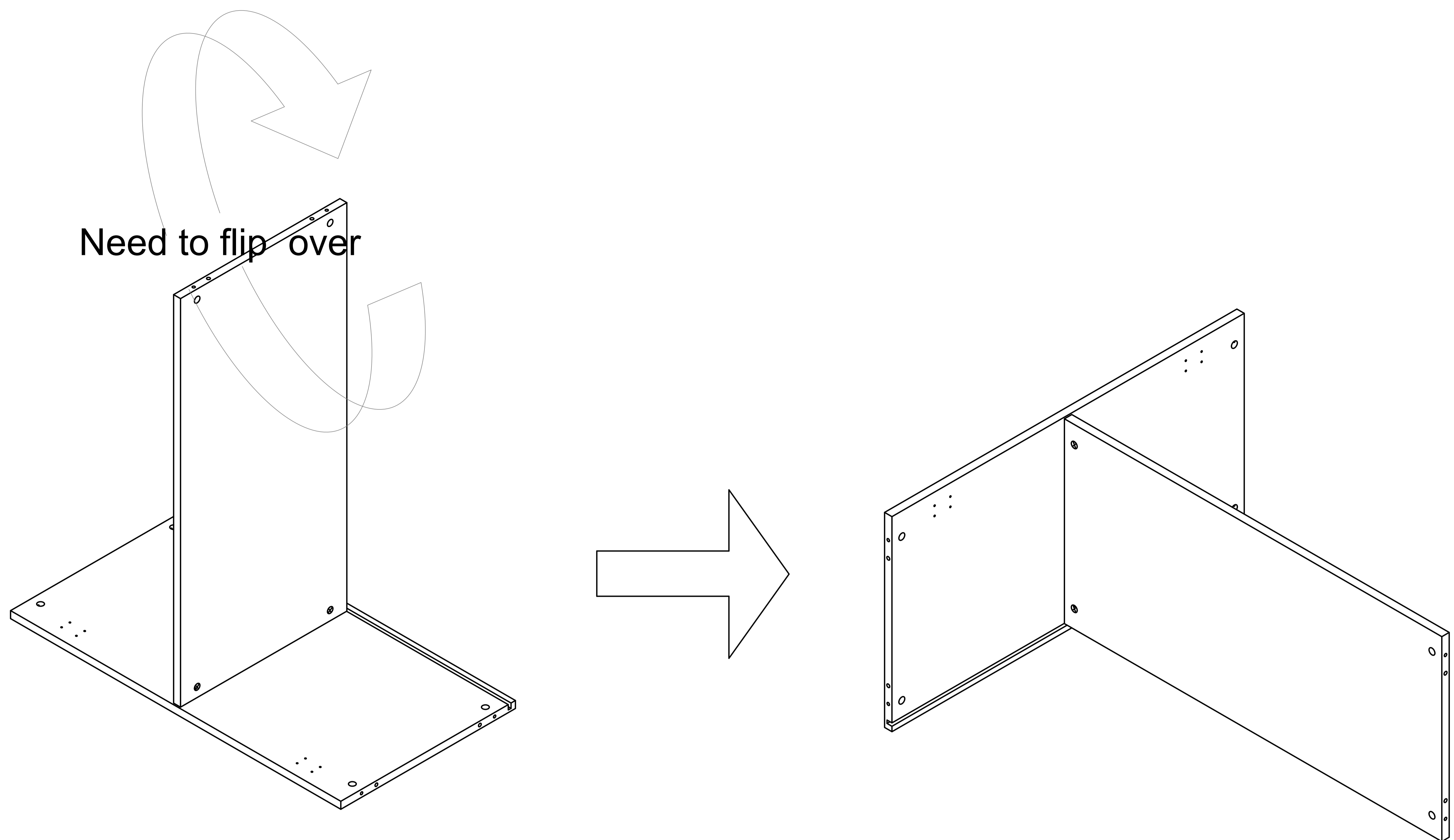


Step 3

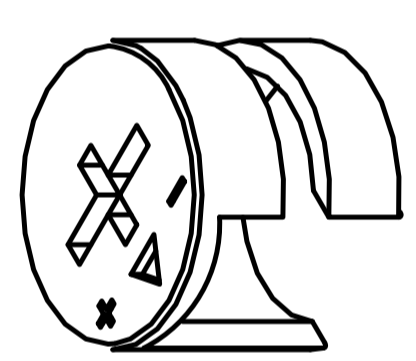
2  x 2

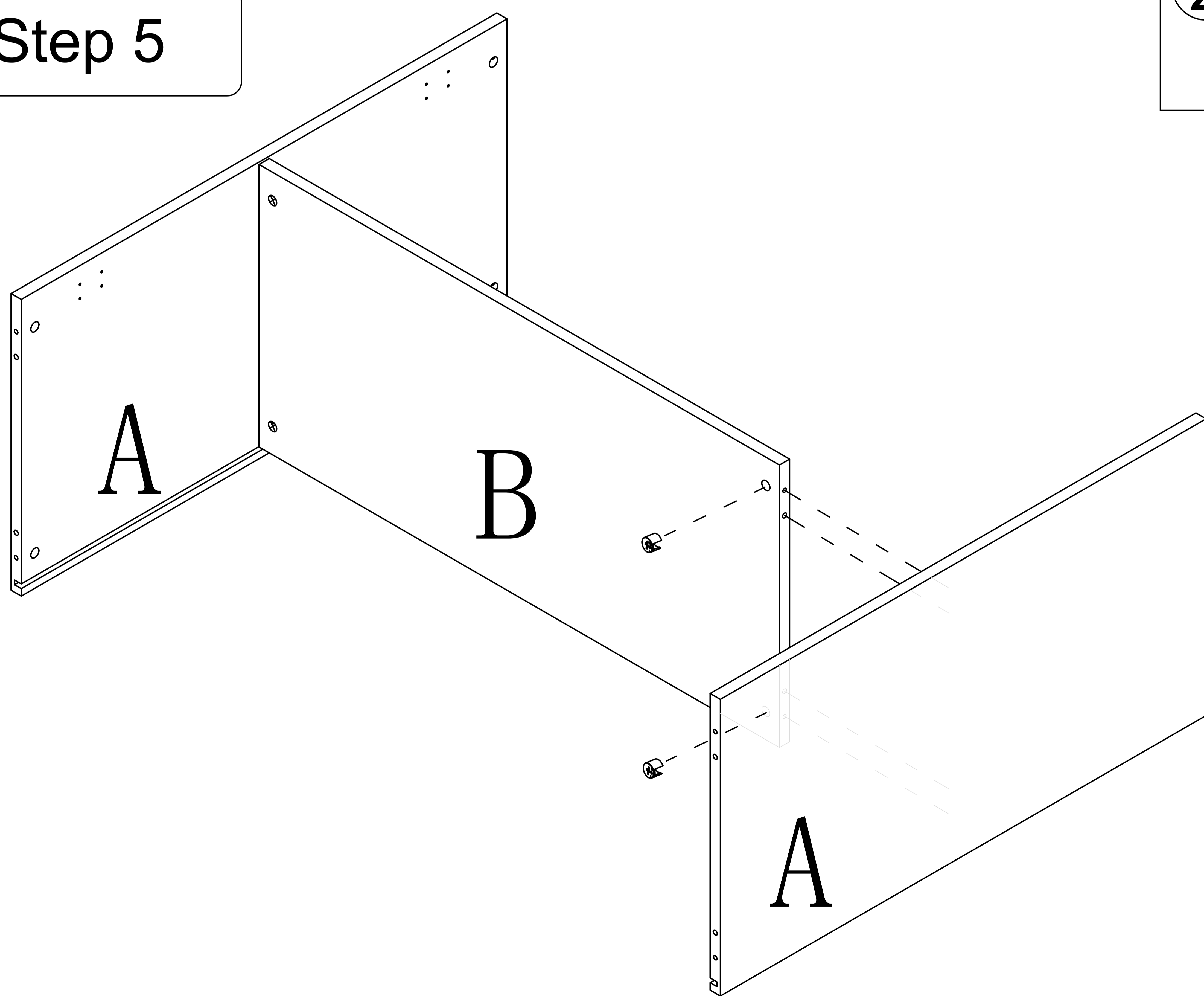


Step 4

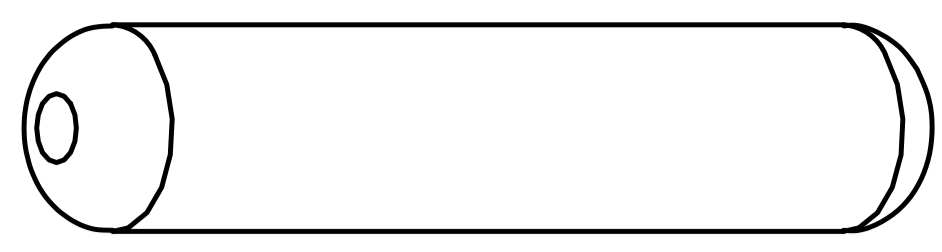


Step 5

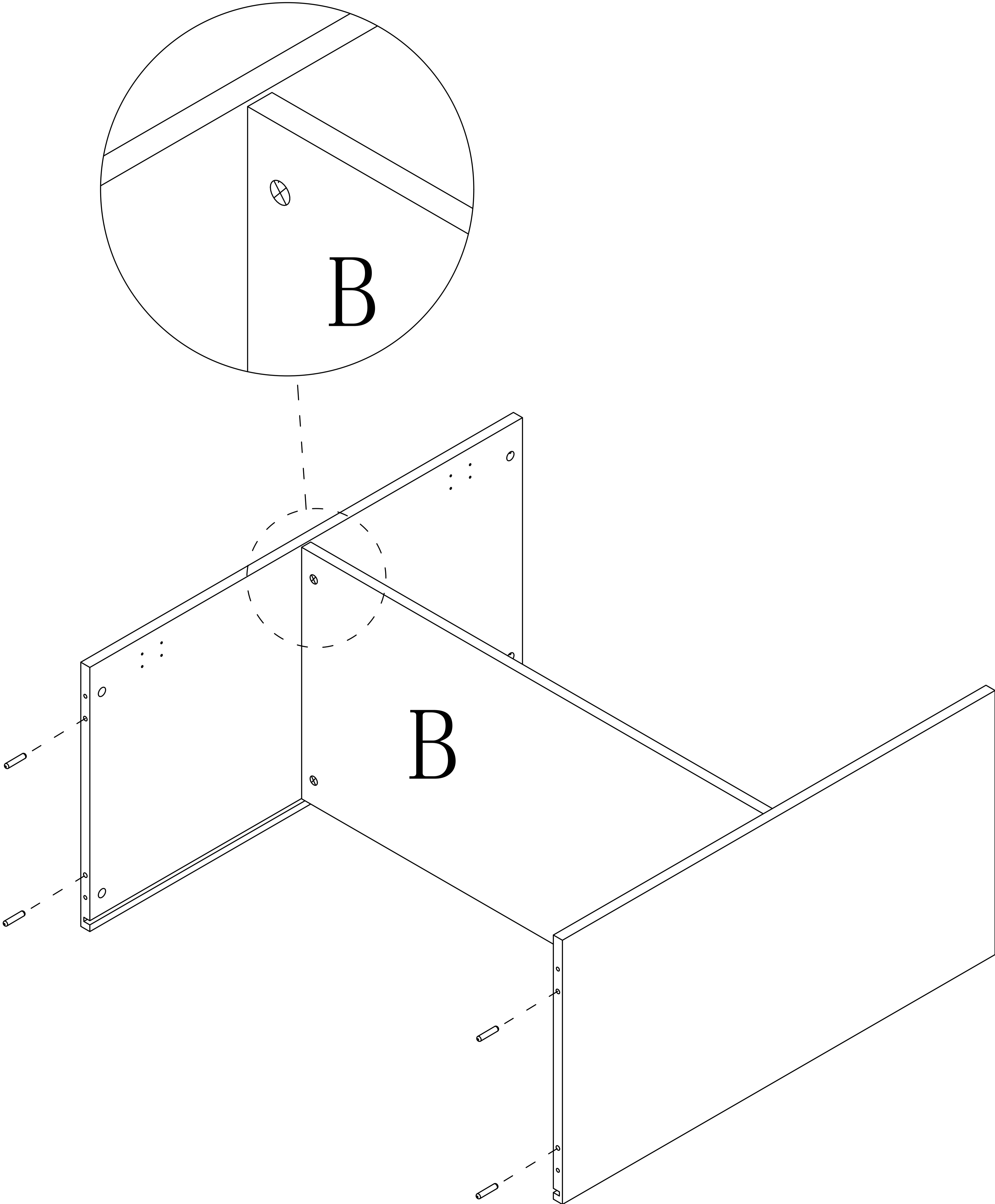
2  x 2



Step 6

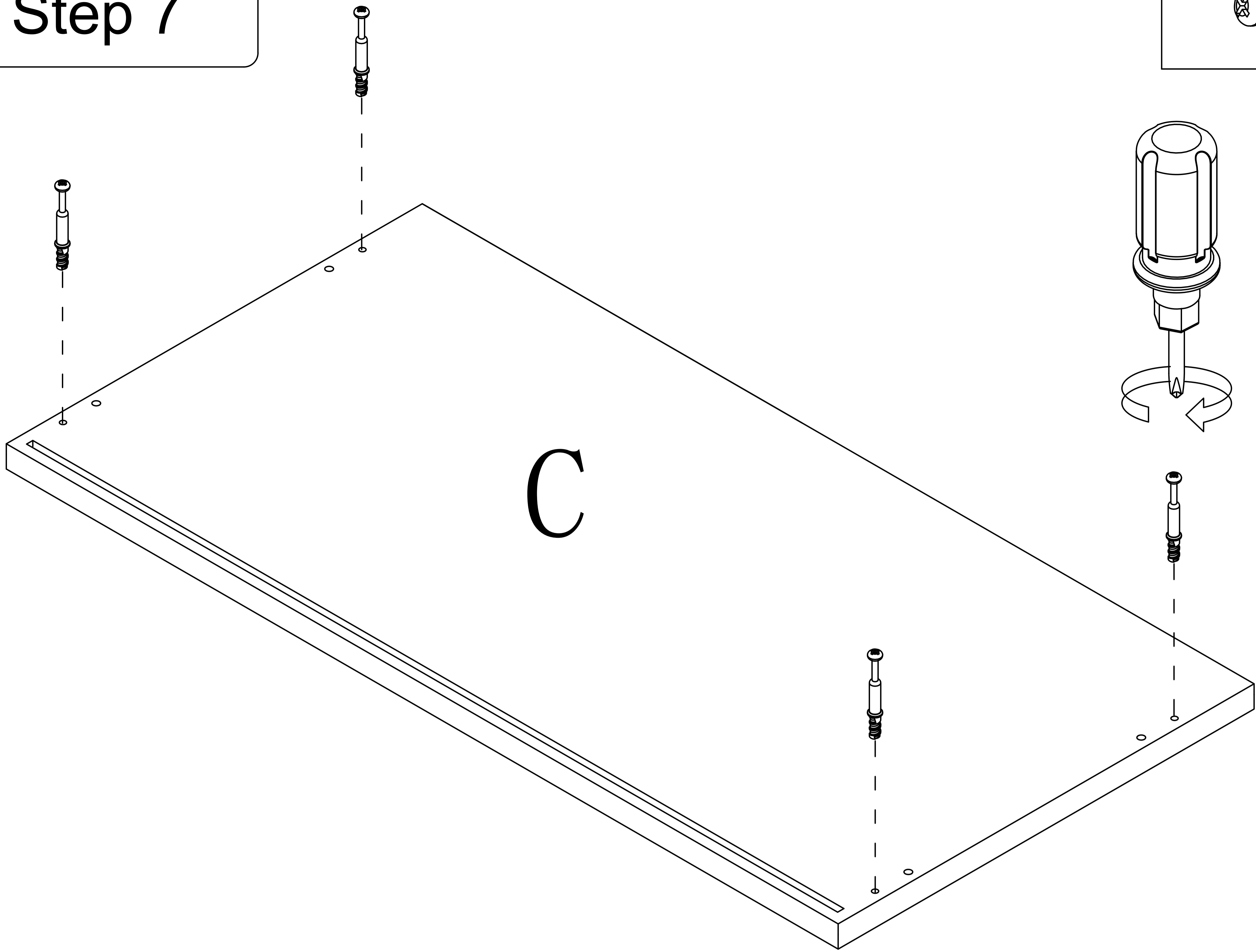
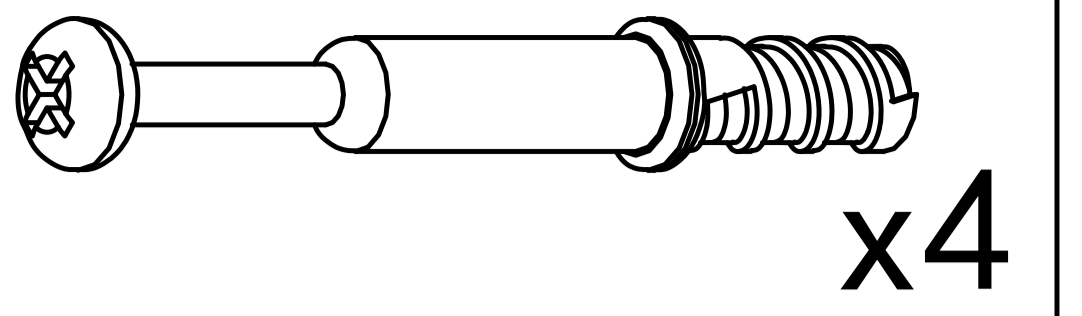
3  x4

Please note the hole direction of the B panel.



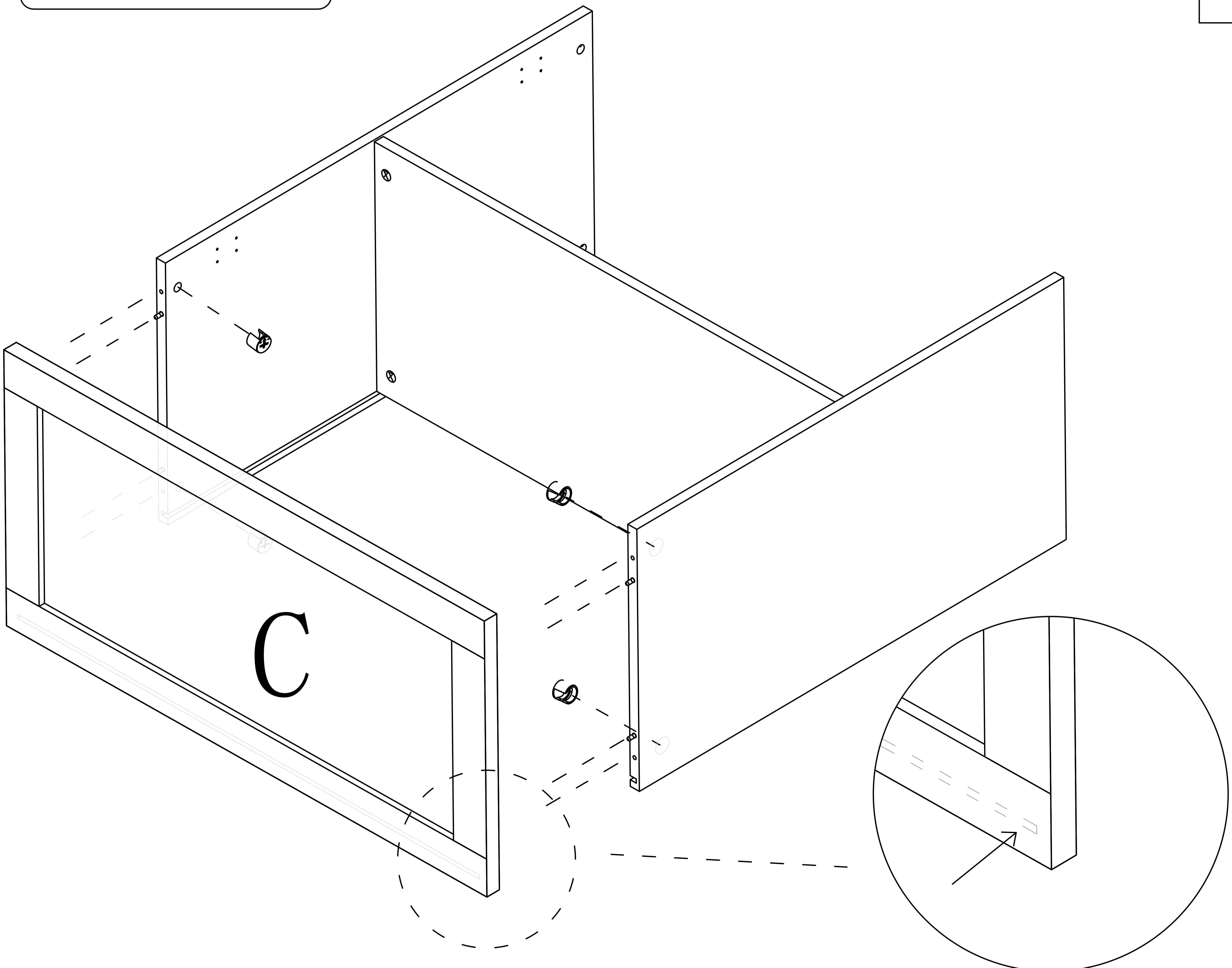
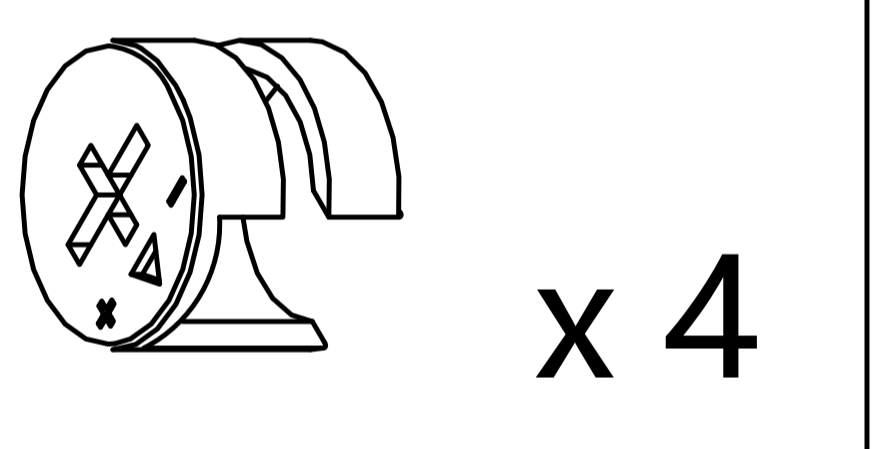
Step 7

1



Step 8

2

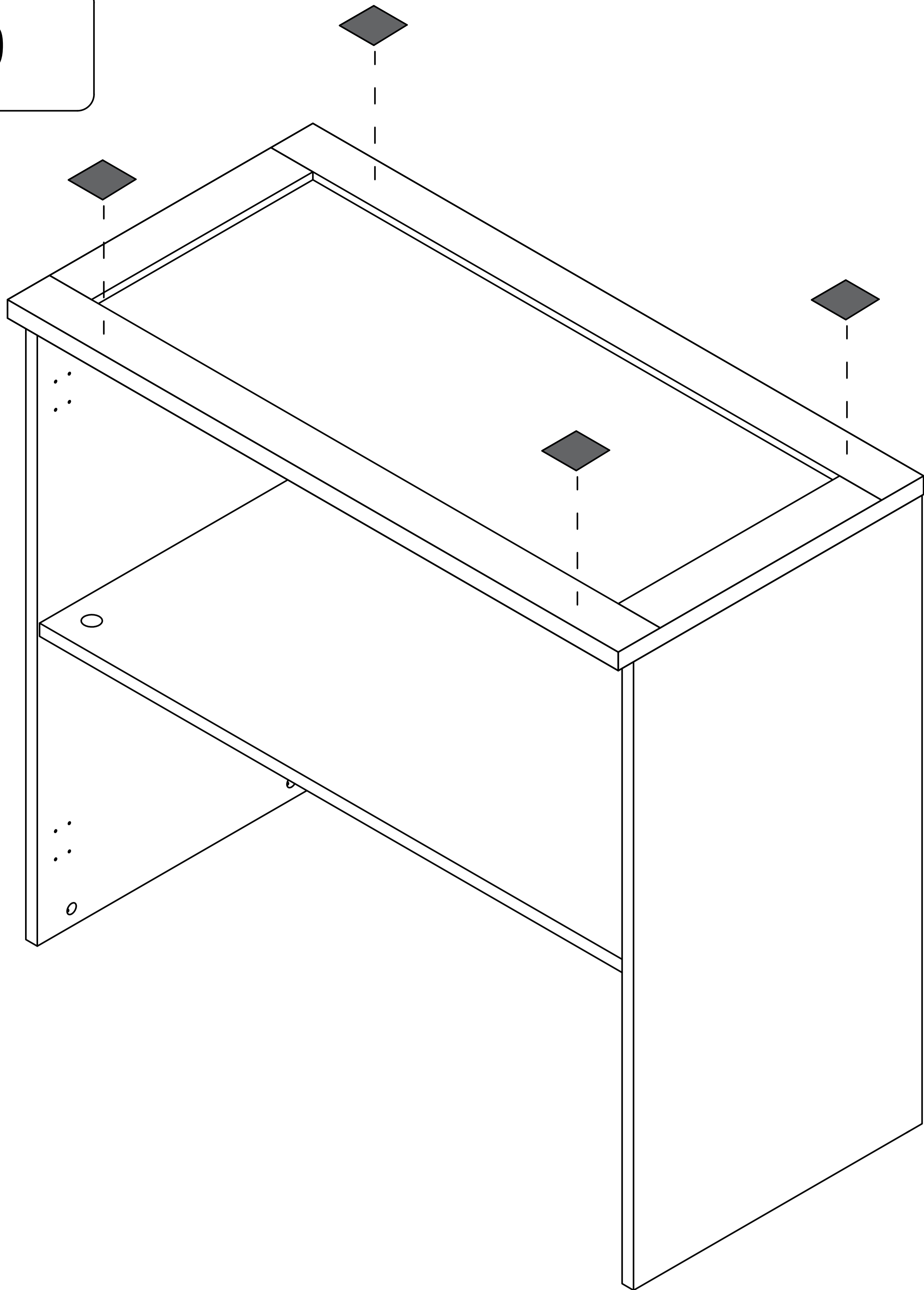


Step 9

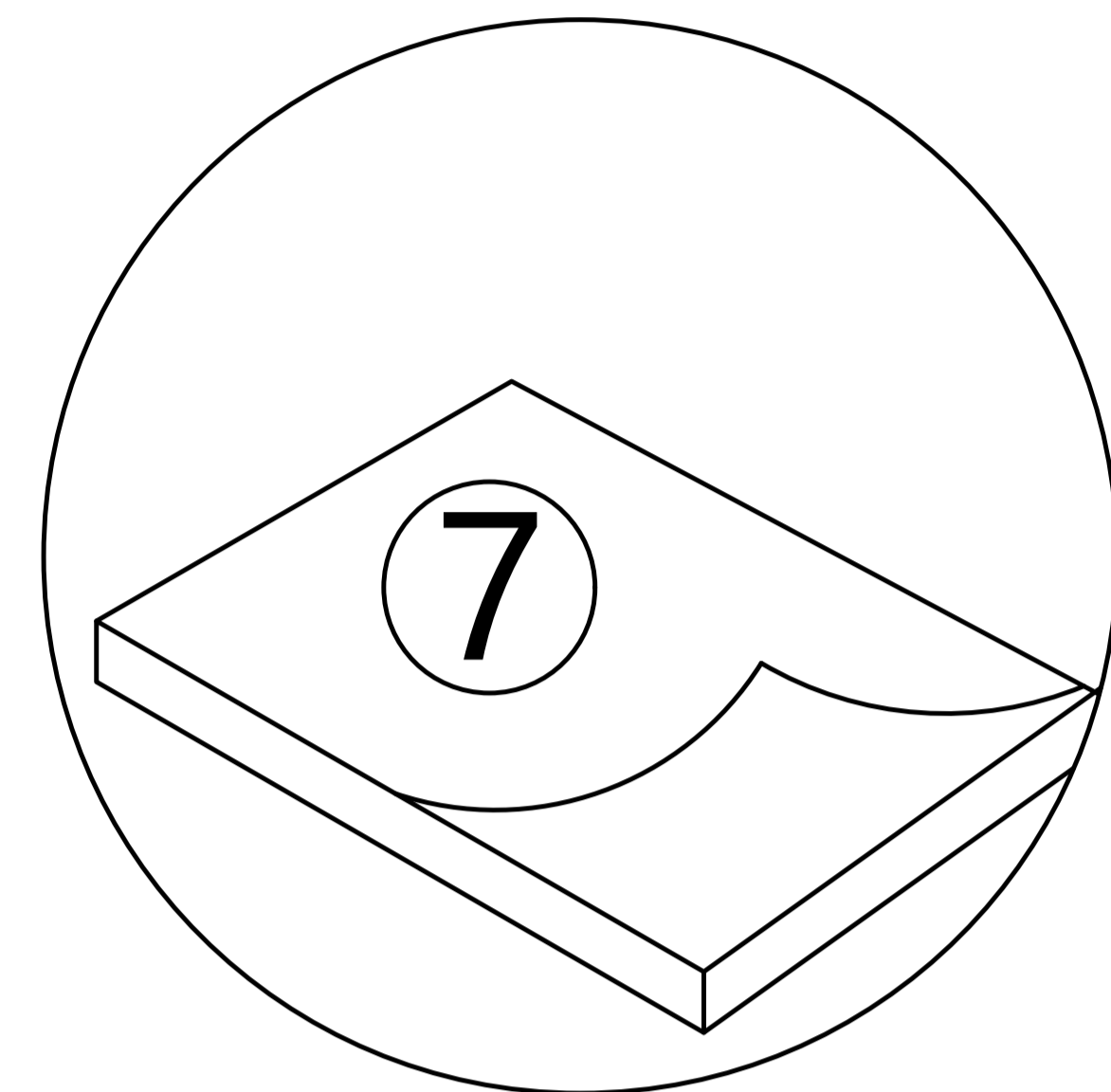
7



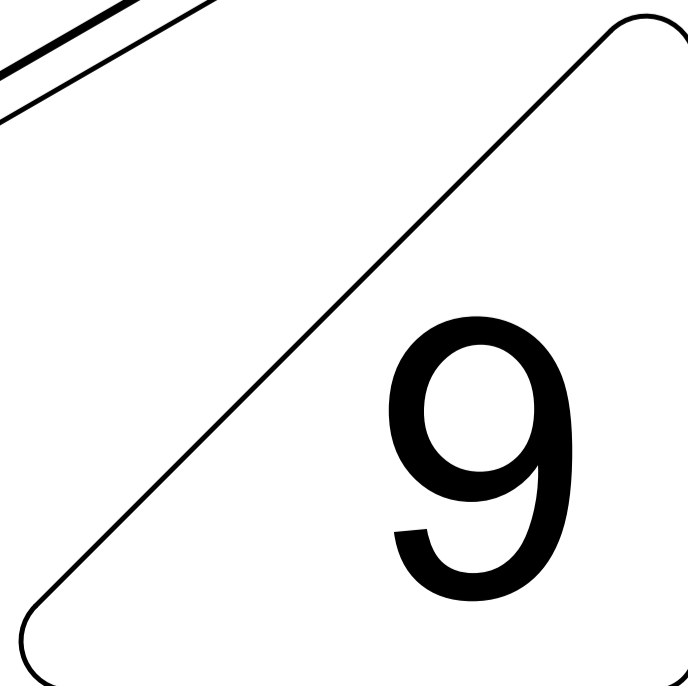
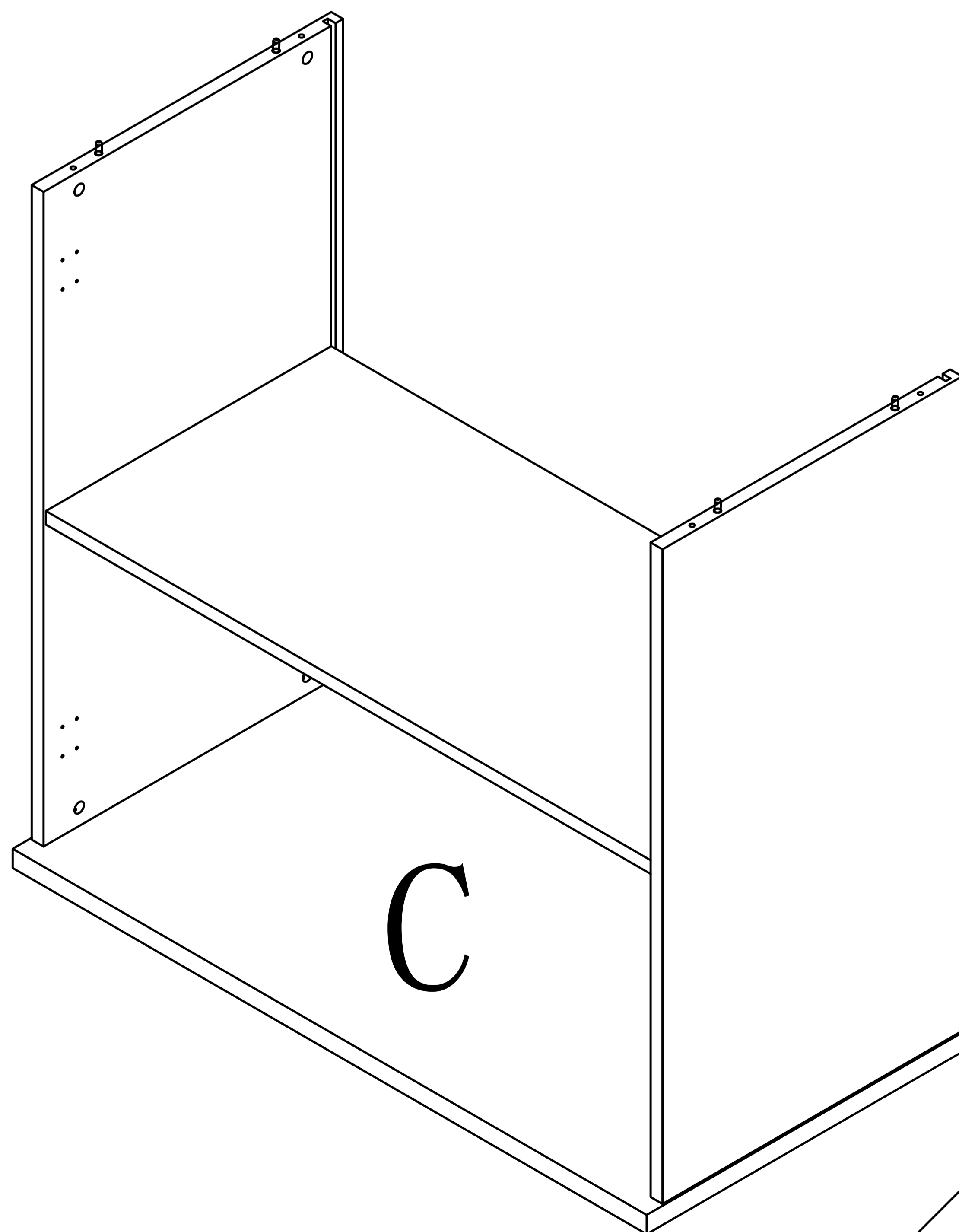
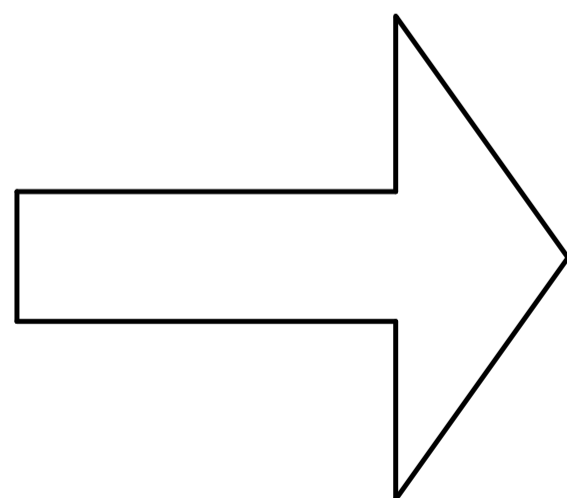
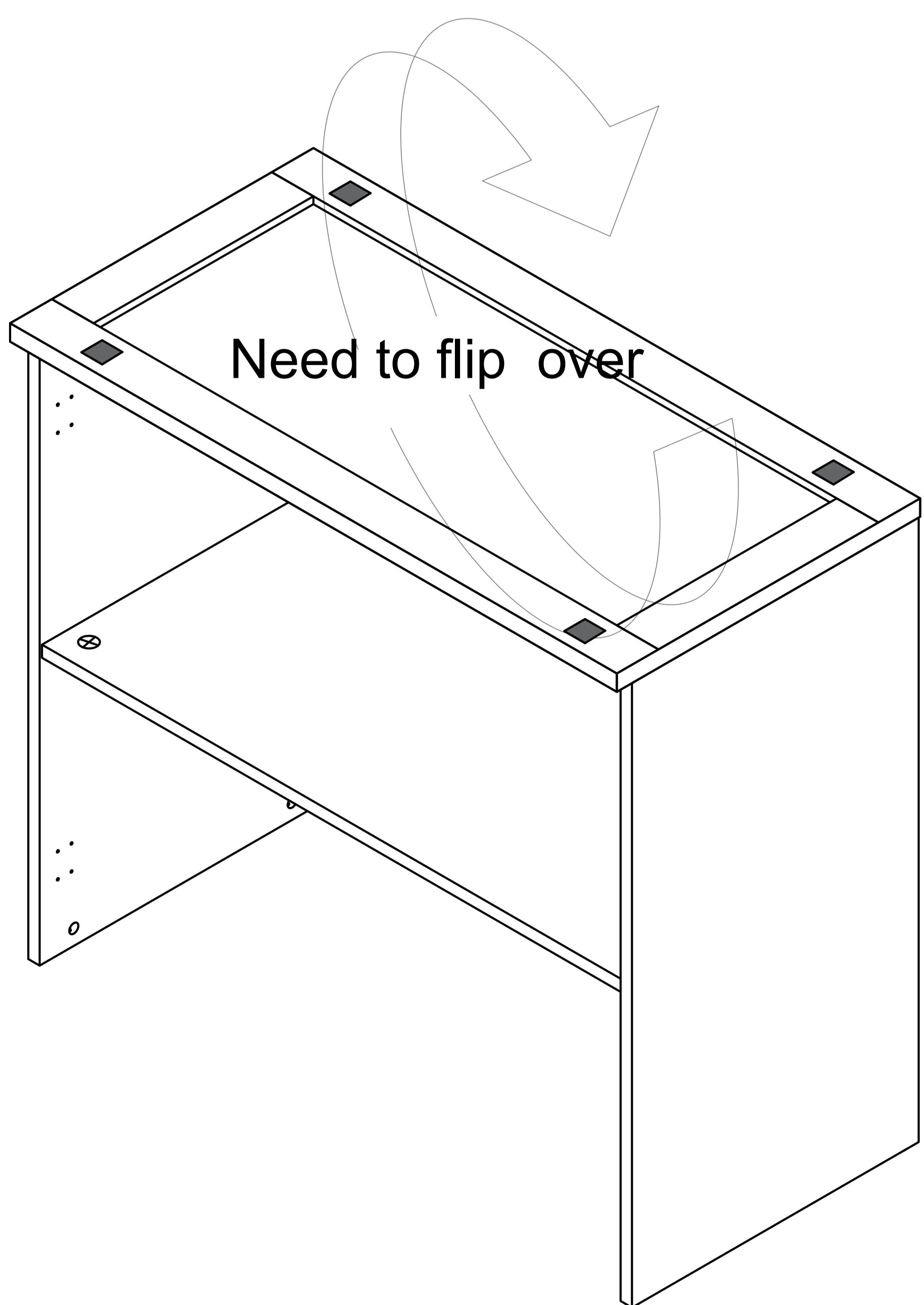
x4



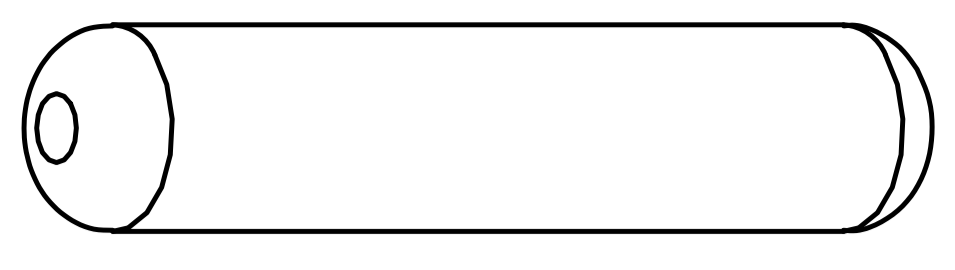
Tear off the protective film before installation

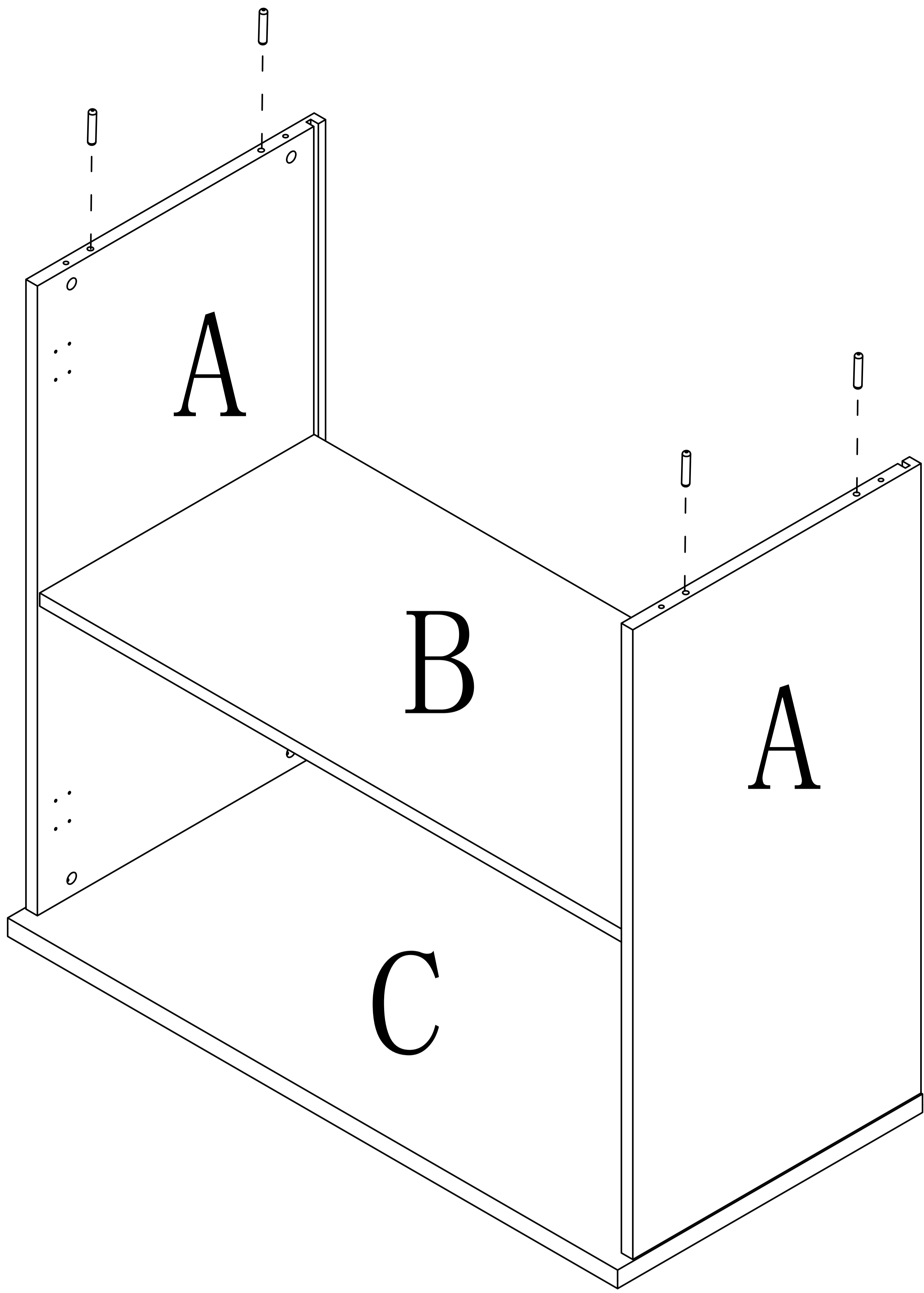


Step 10

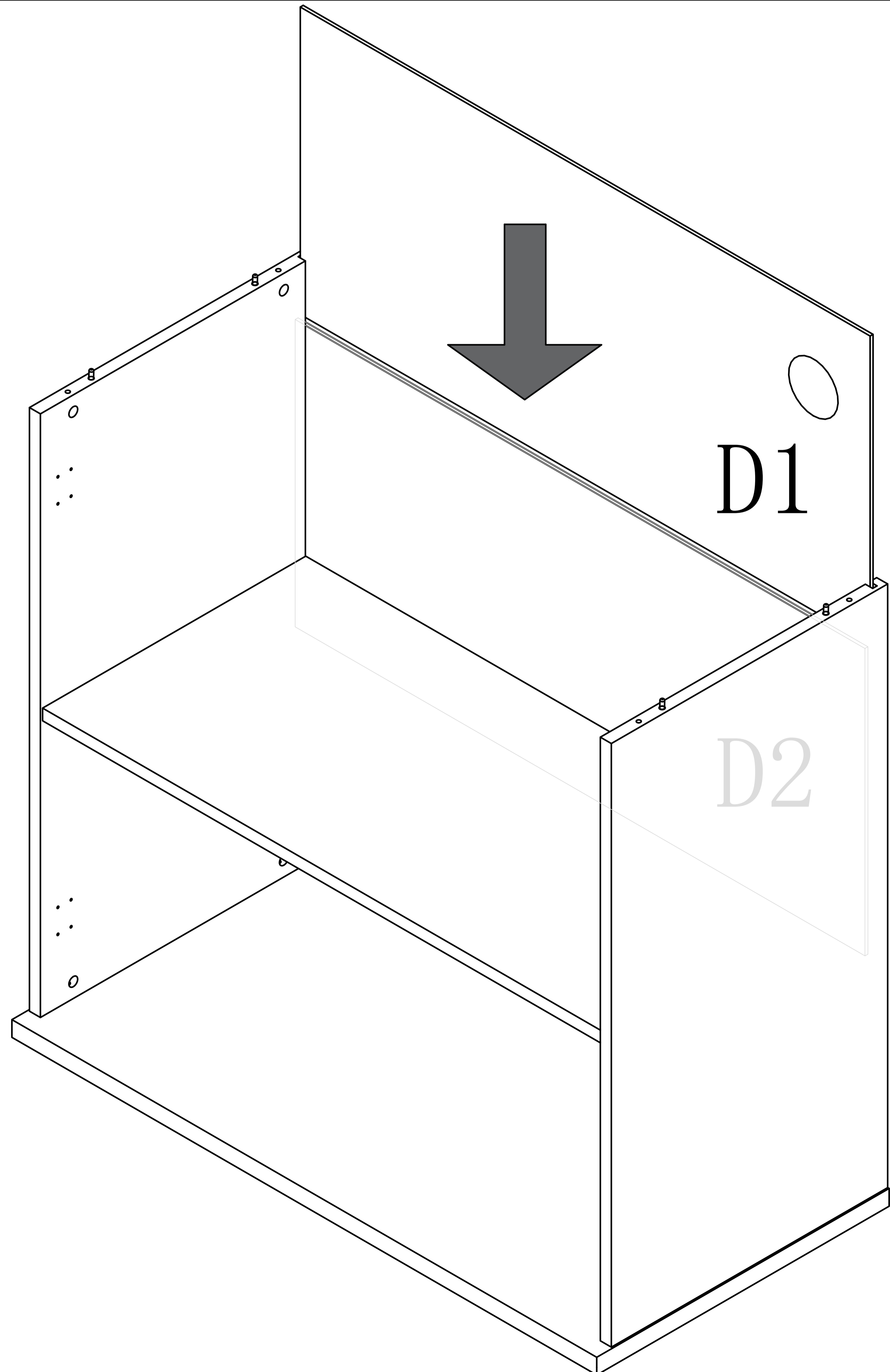


Step 11

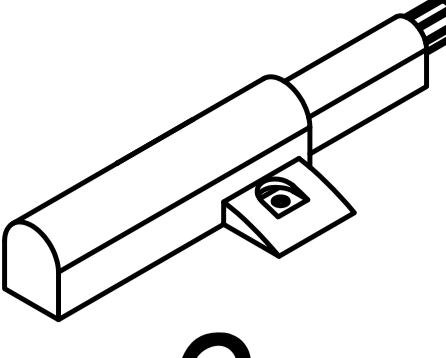
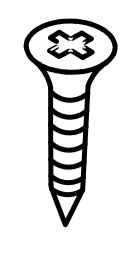
3  x4

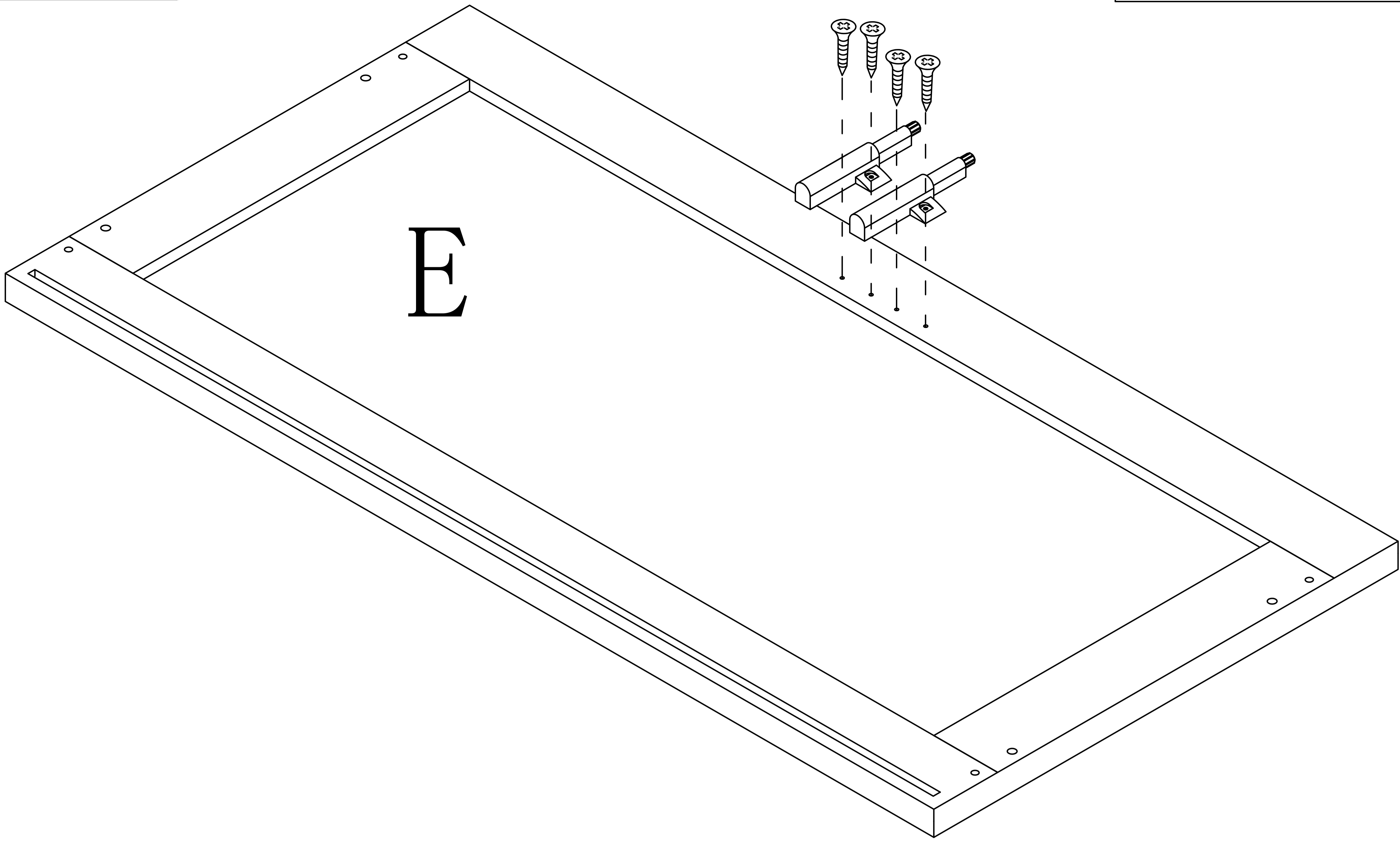


Step 12

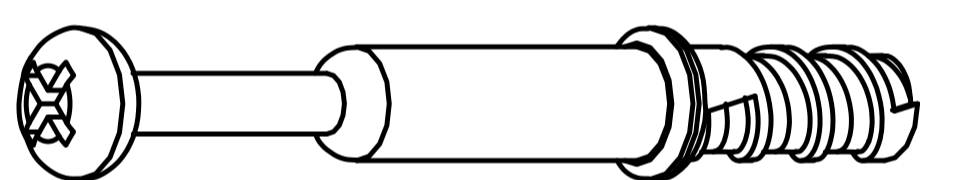


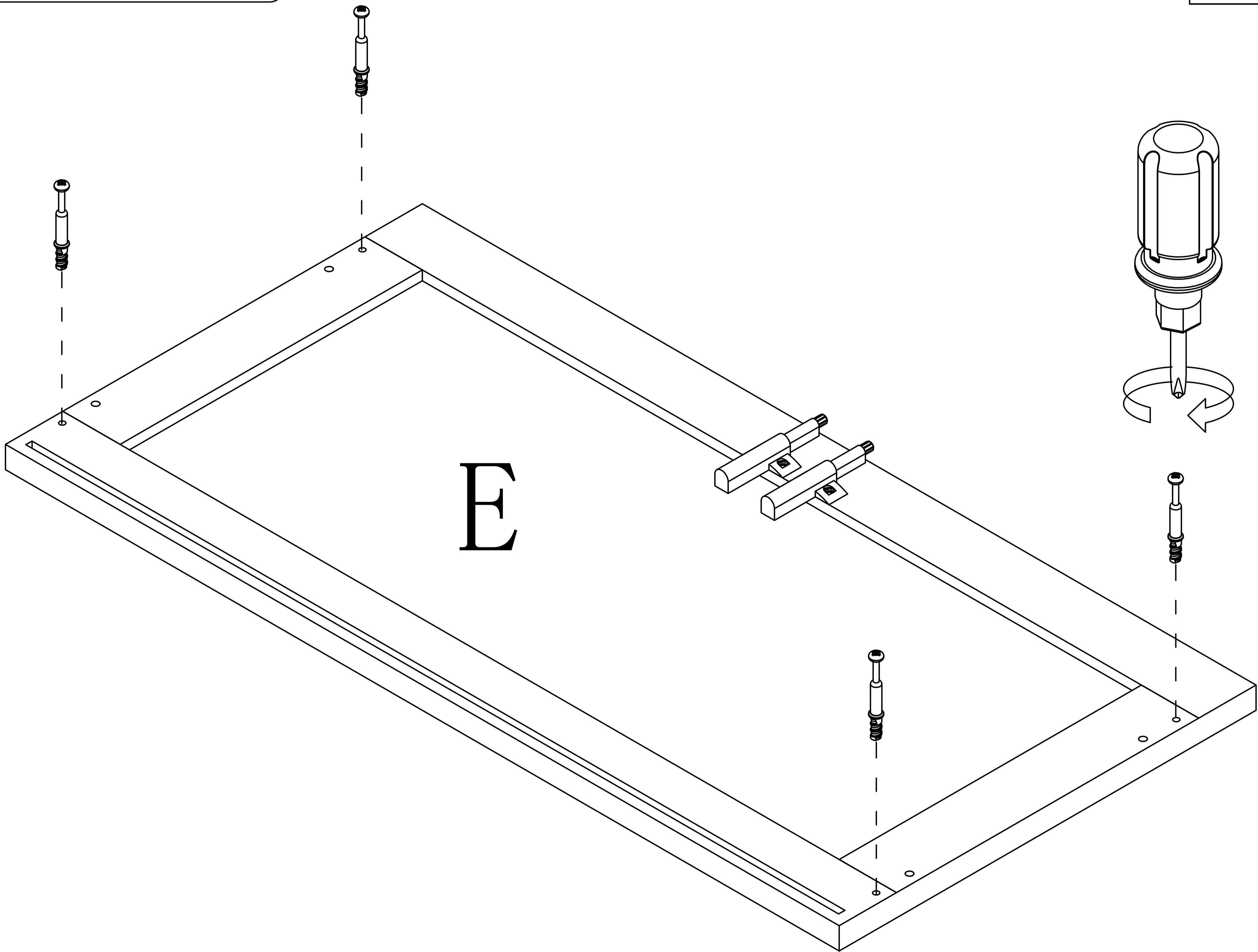
Step 13

4  x2  x4



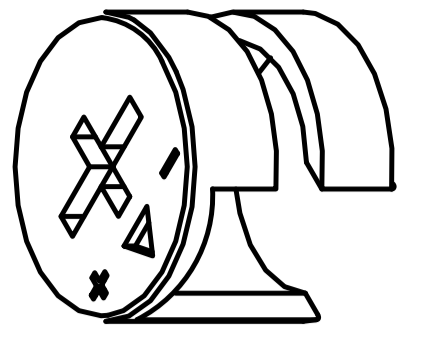
Step 14

1  x4

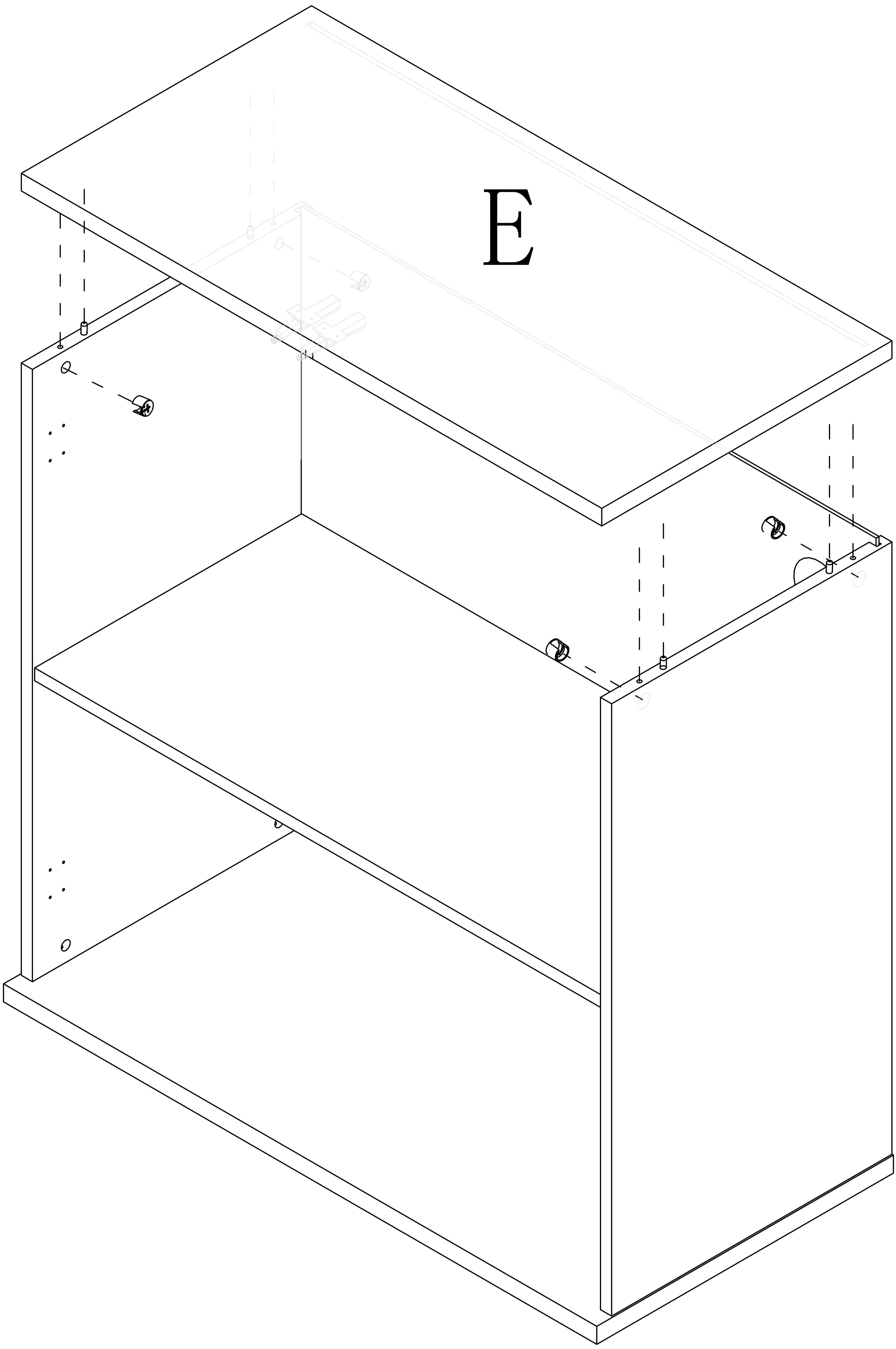


Step 15

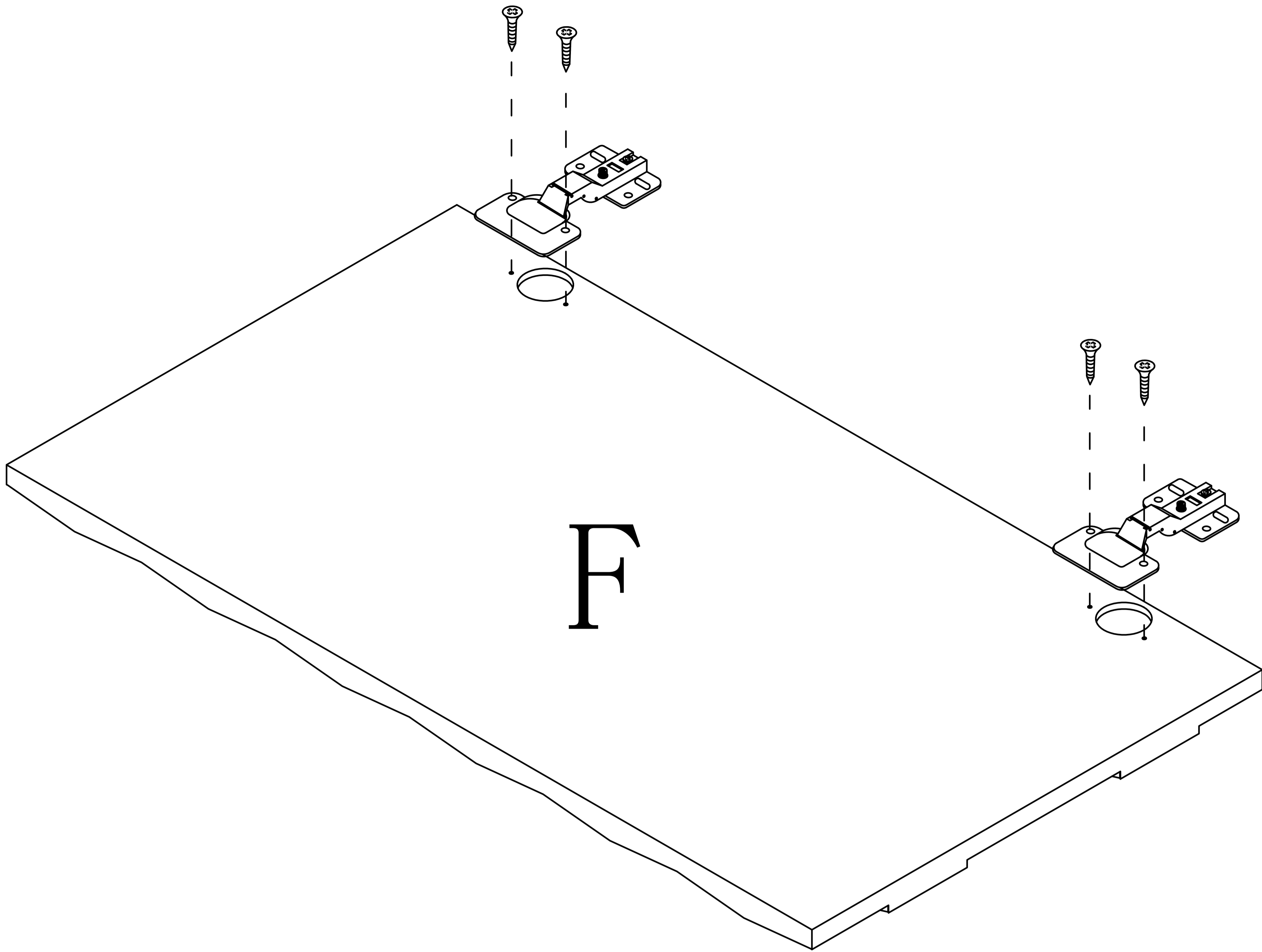
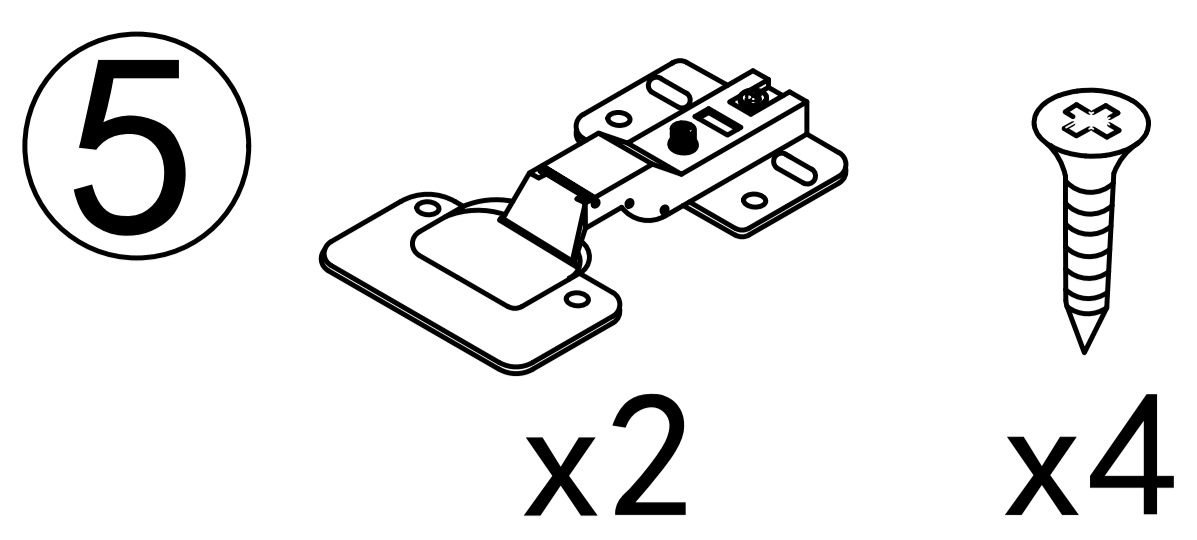
2



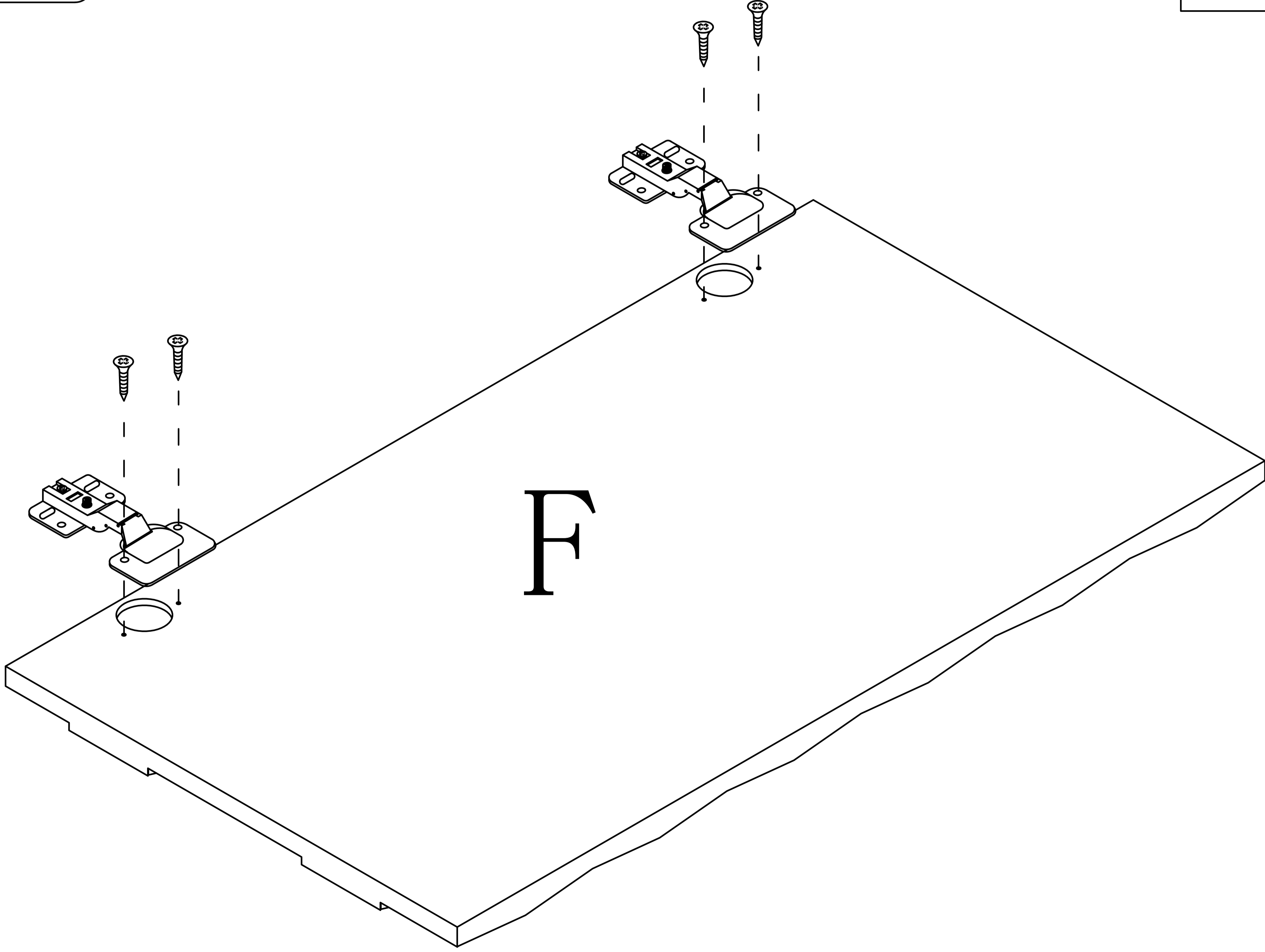
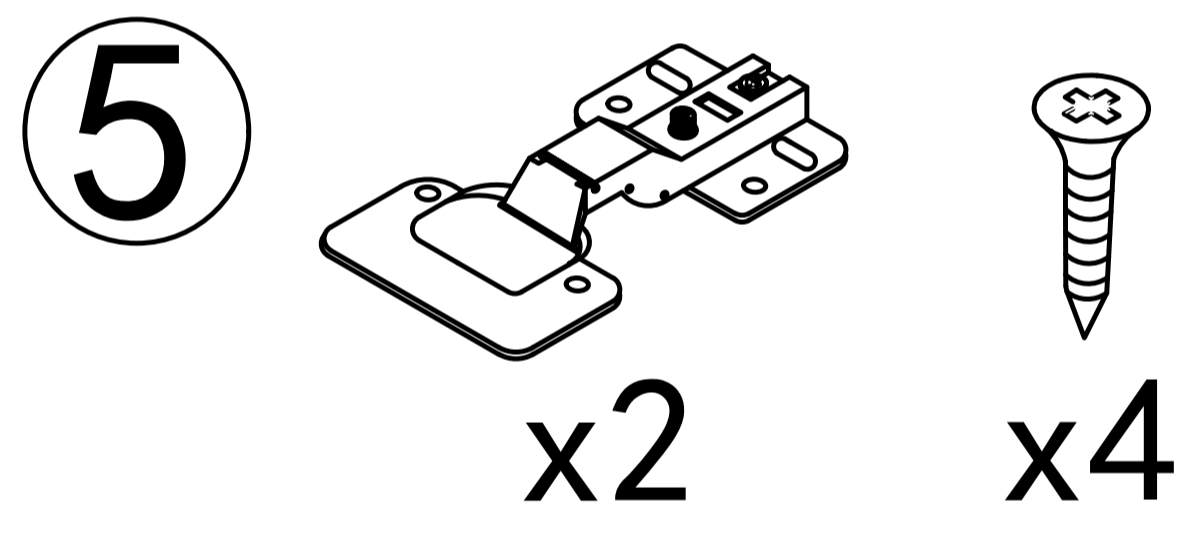
x 4



Step 16

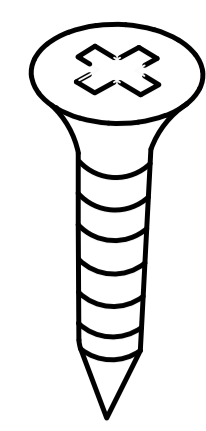


Step 17

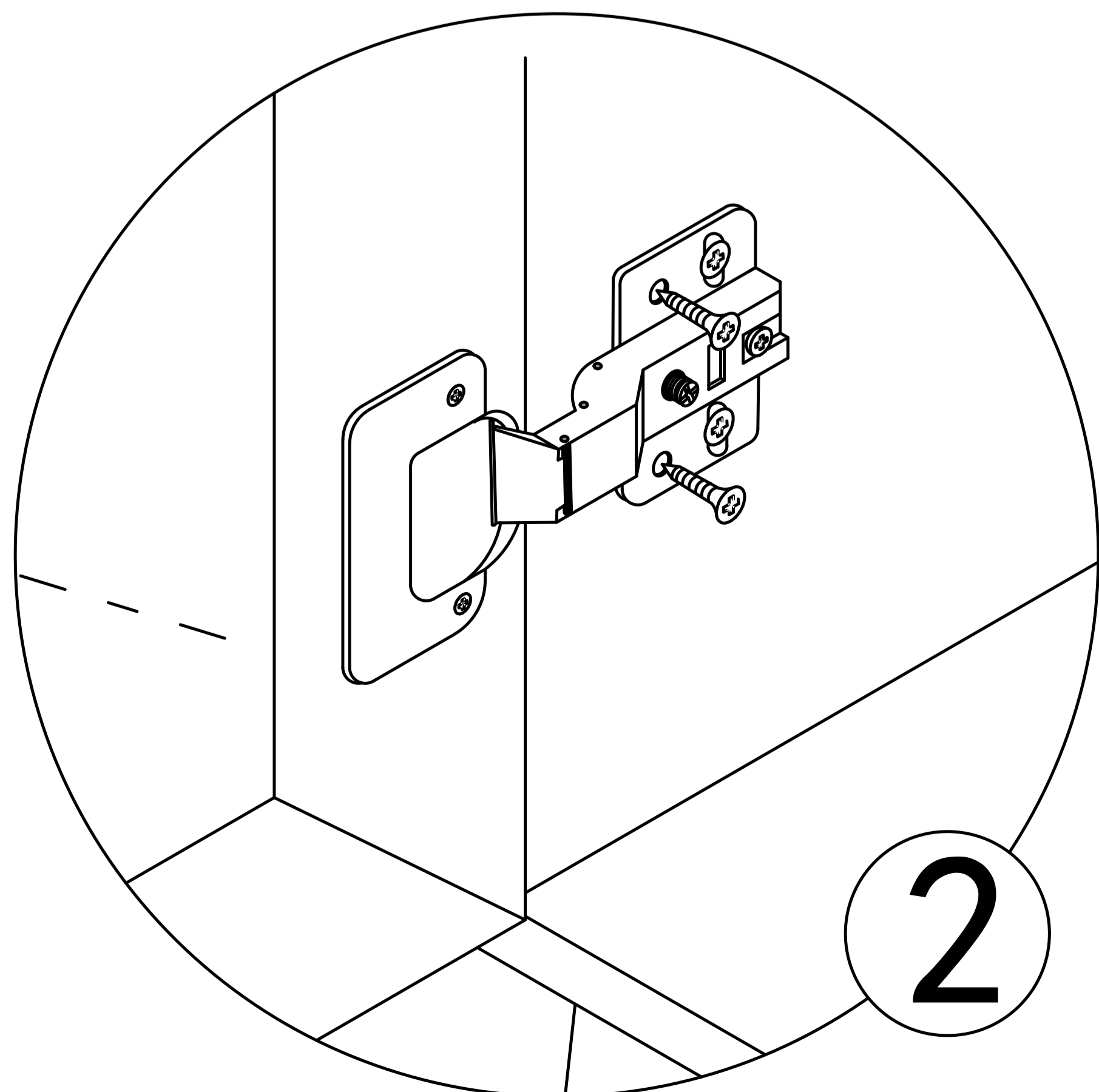
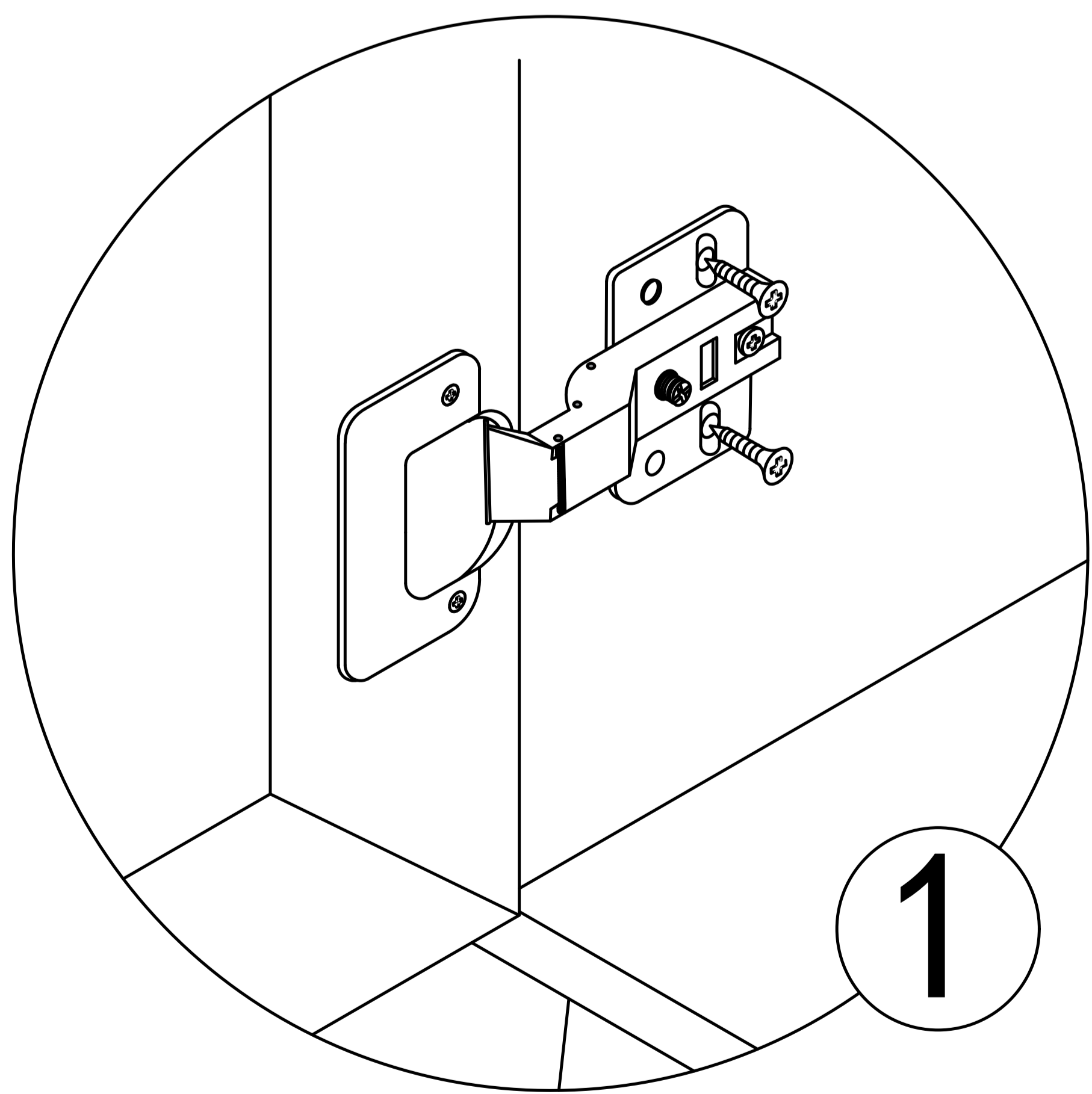
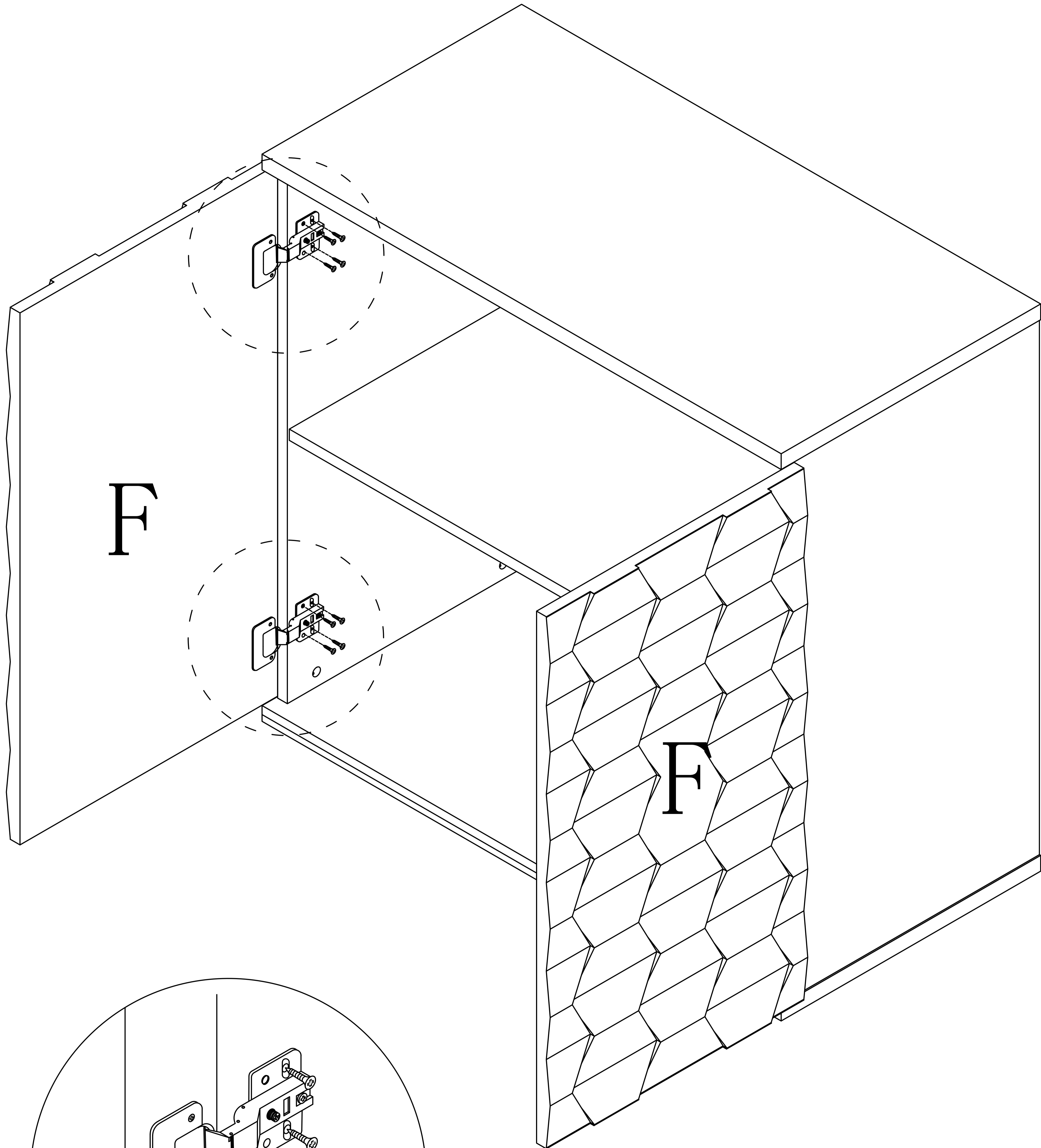


Step 18

5

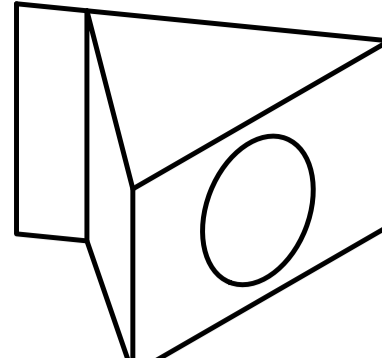
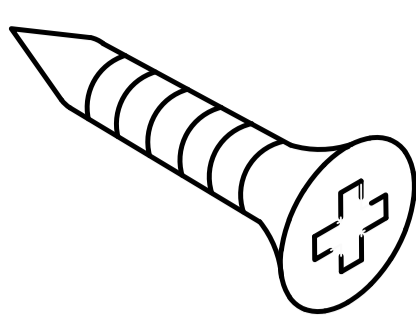


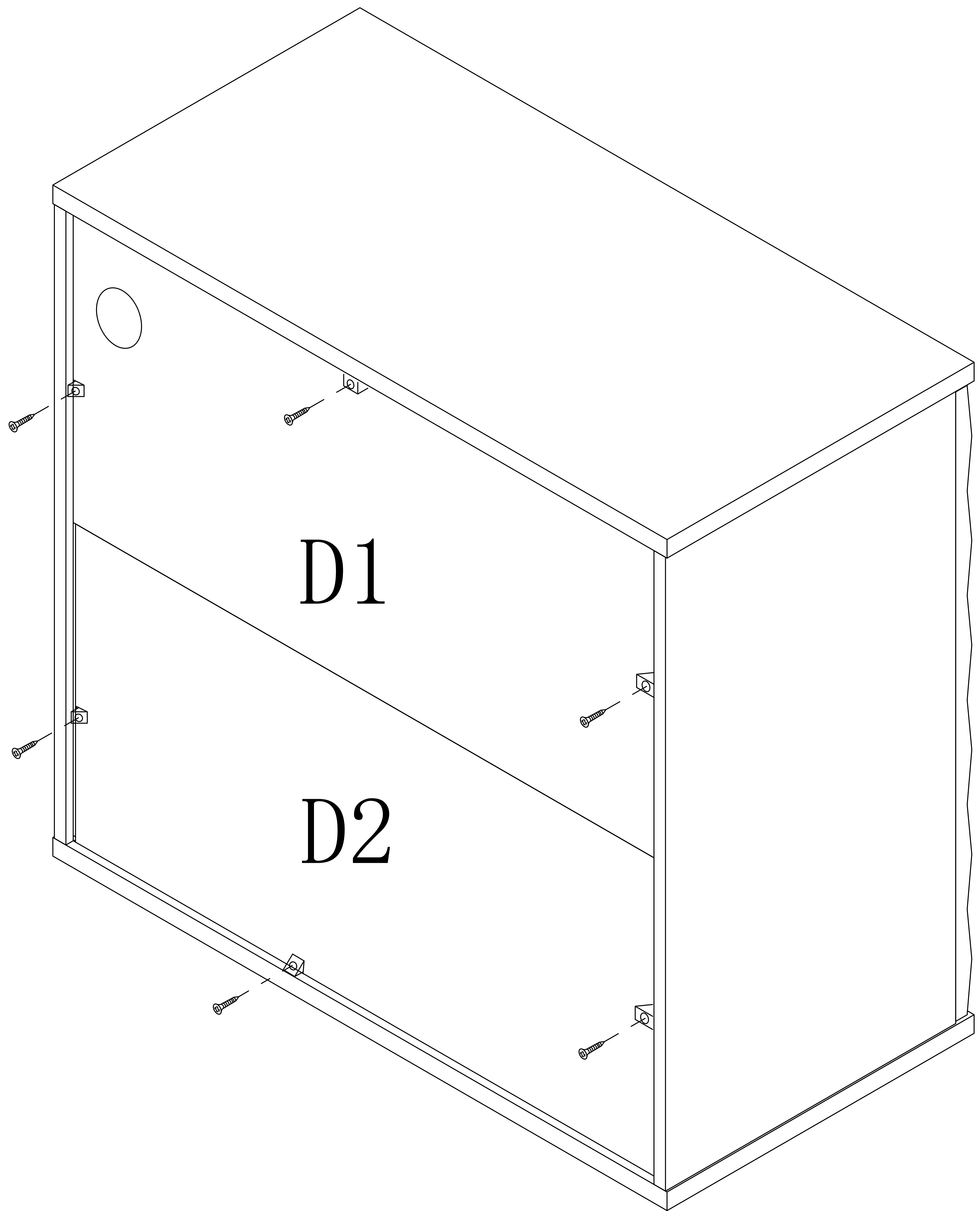
x16



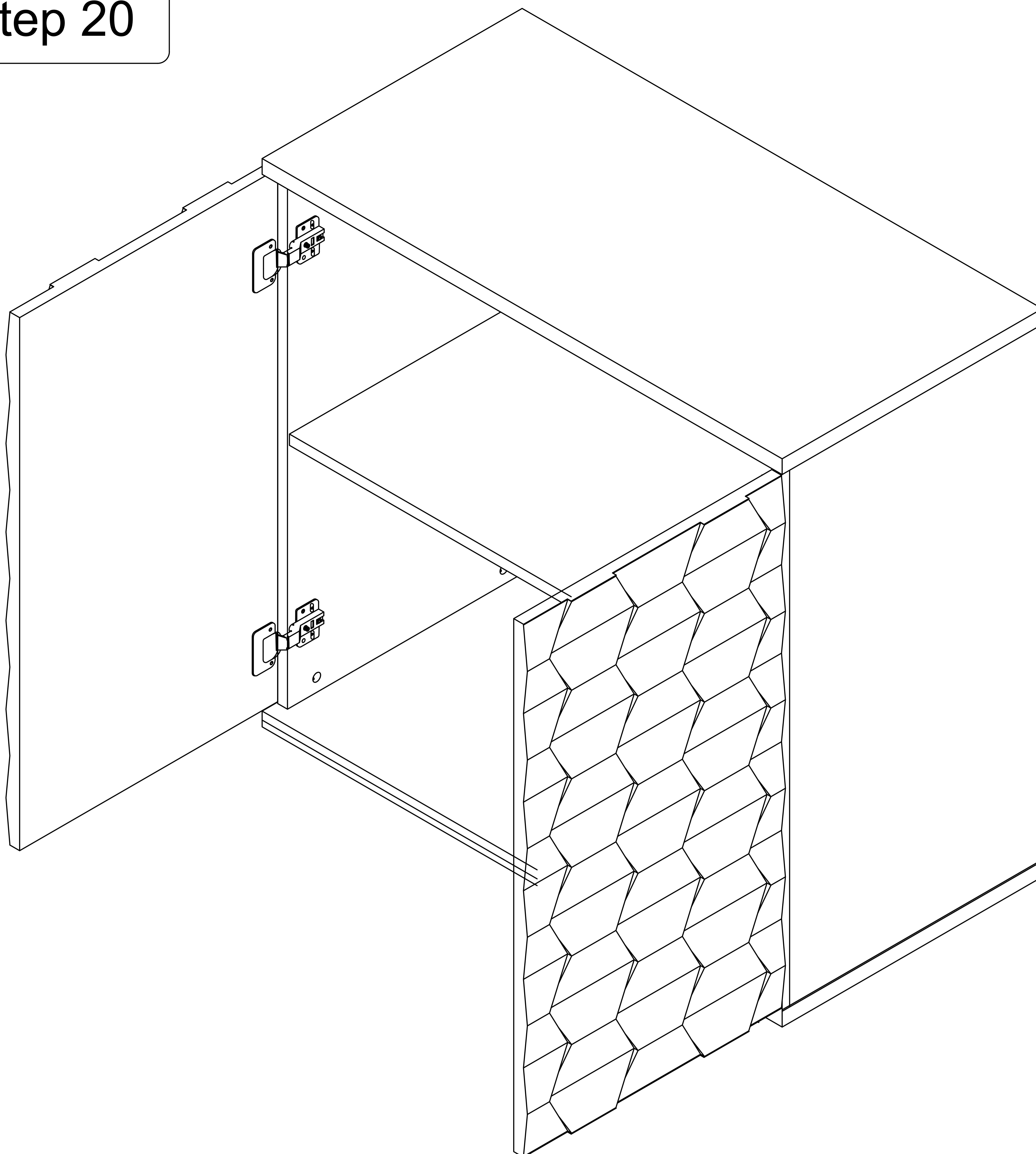
First lock the elliptical hole  
then lock the fixed hole

Step 19

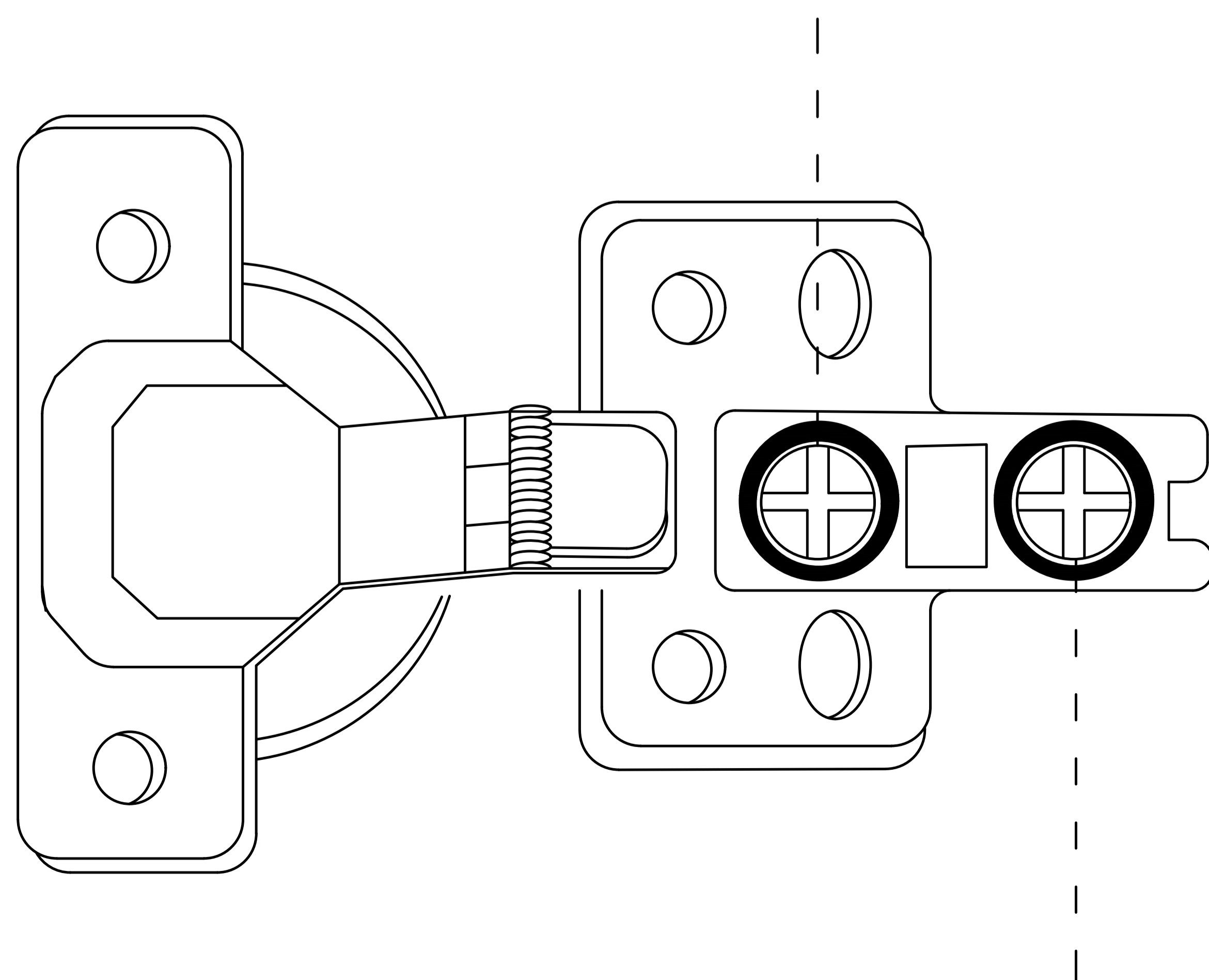
6    
x 6



## Step 20



Turning this screw can effectively adjust the size of the door gap.



Turn this screw to adjust the door panel to be flat with the side panel.

Step 21

Adjust the alignment of the door panel using the knob

