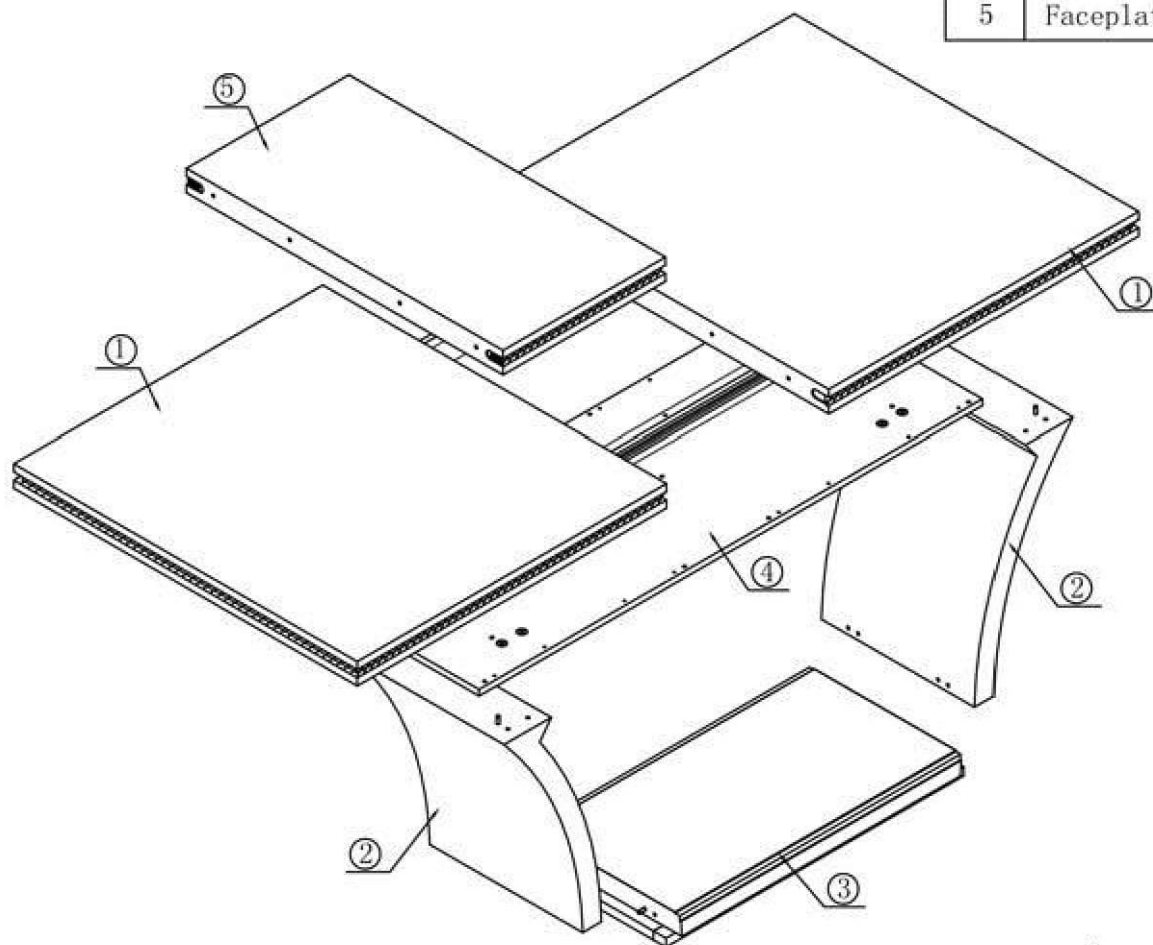






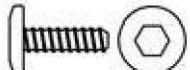






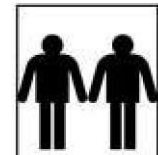
No	Part	Qty
1	Faceplate Top	2
2	Side panel	2
3	Pedestal	1
4	Soleplate Bottom	1
5	Faceplate Top	1



No	Part	Qty
A	 Threaded Bolt M8x65	4
B	 Nut M8	4
C	 Maxiluna Washer $\phi 40 \times 15$	4
D	 Cover Cap $\phi 40$	4
E	 Spanner M8/13mm	1
F	 Gasket M8	8
G	 Screw M8x35	8
H	 Spanner 5mm	1
I	 Wooden tenon $\phi 8 \times 30$	2
J	 Screw $\phi 4 \times 40$	10
K	 bag	1

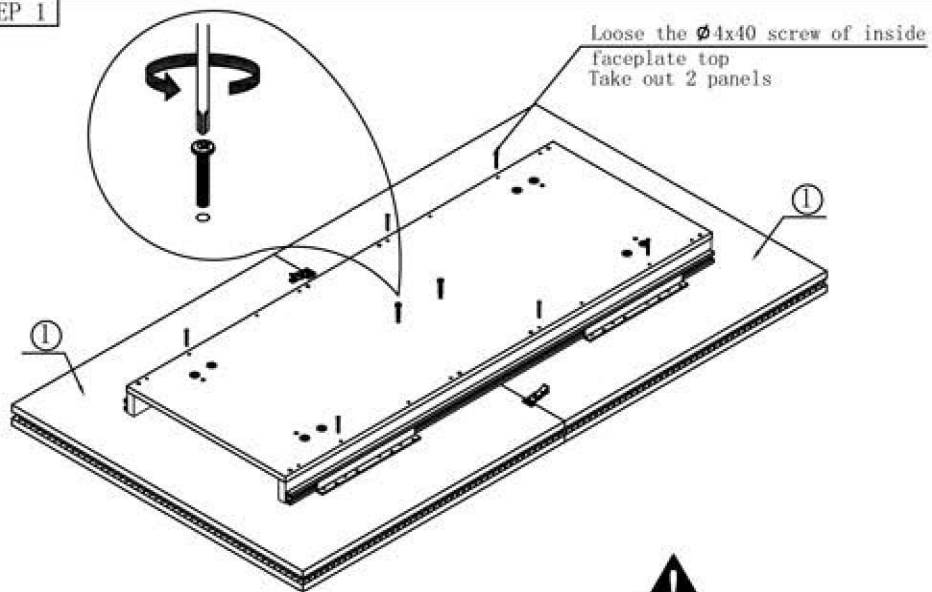


- Please check contents and read instructions before commencing assembly.
- Please use a soft mat to avoid damaging during assembly
- Assemble this article following the enclosed instructions carefully.



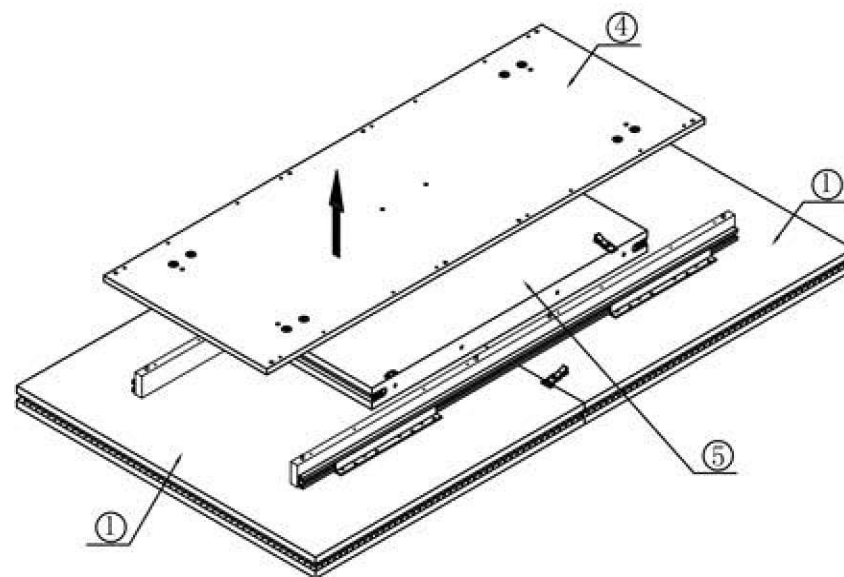
30min

STEP 1

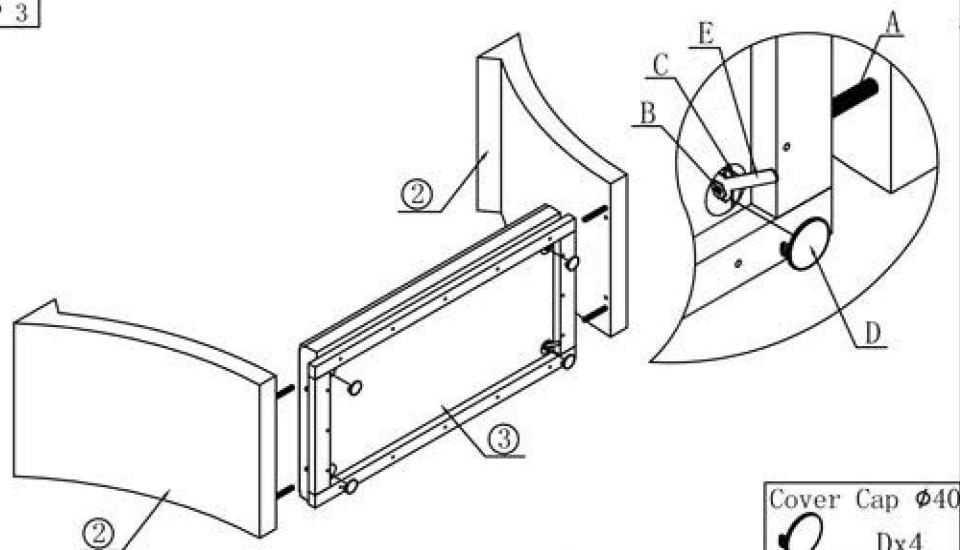


• Please use a soft mat to avoid damaging during assembly

STEP 2

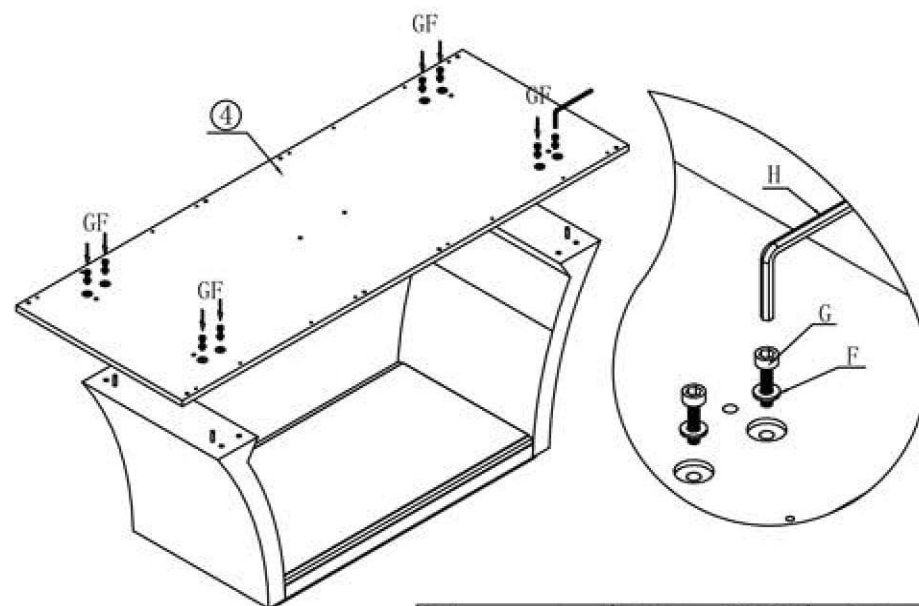


STEP 3



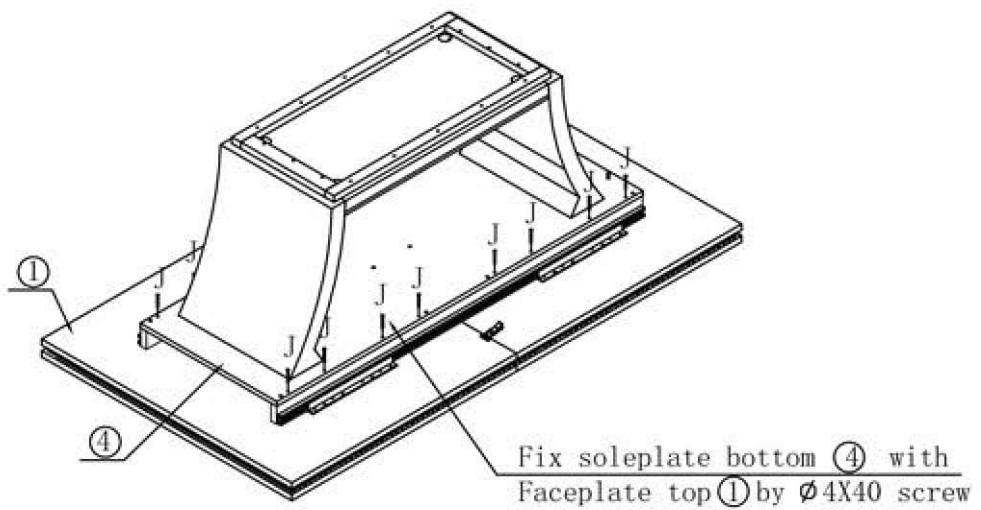
	Cover Cap $\text{Ø}40$		
	Dx4		Nut M8
	$\text{Ø}40 \times 15$ Cx4		Bx4
	M8x65 Ax4		M8 / 13mm Ex1


STEP 4



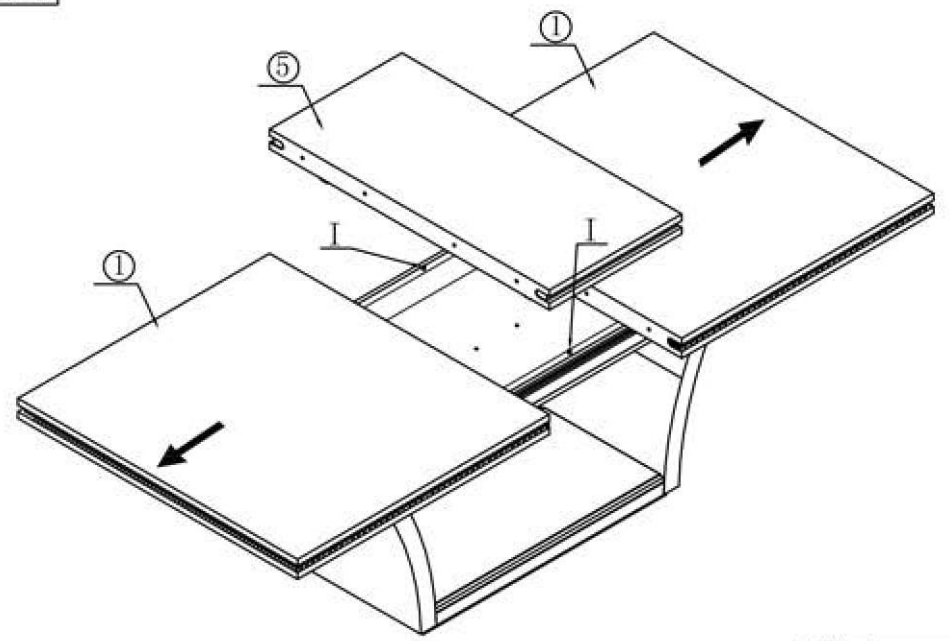
	Spanner 5mm Hx1		Screw M8x35 Gx8		Gasket M8 Fx8
--	--------------------	--	--------------------	--	------------------

STEP 5



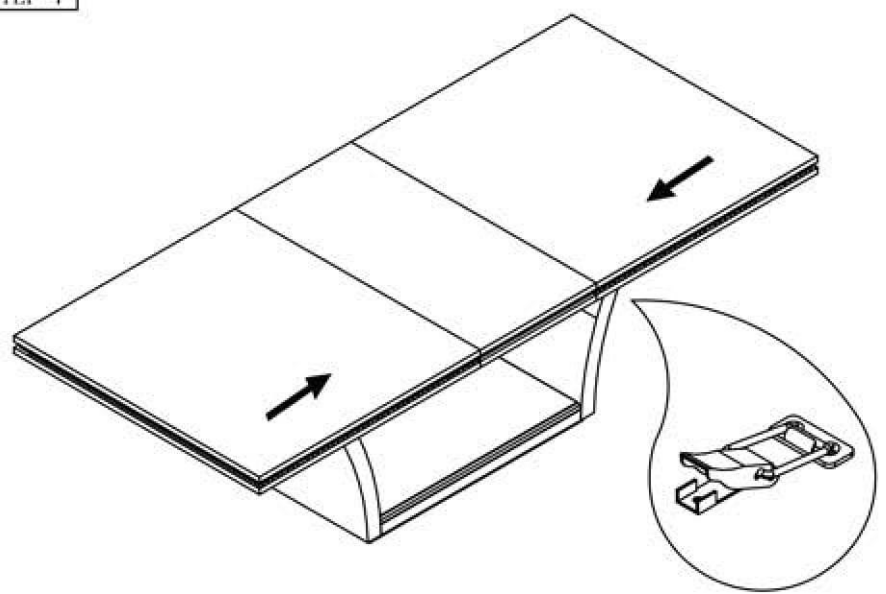
Screw \varnothing 4x40
 JX16

STEP 6

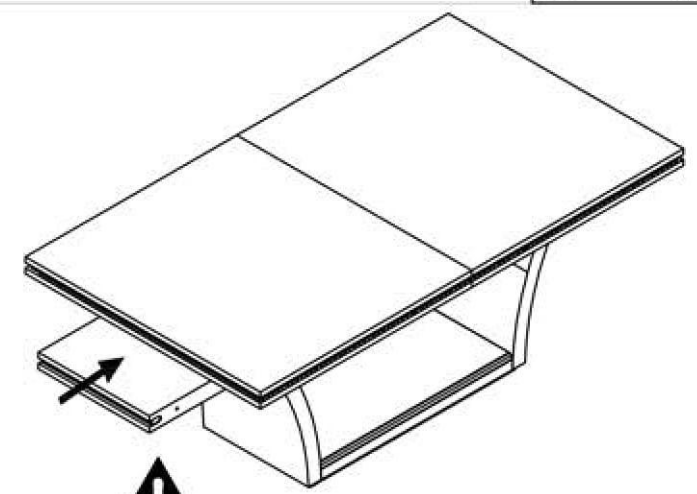


Wooden tenon
 \varnothing 8X30
 1x2



STEP 7



STEP 8



Put the extension in the bag, then hide it under the table face .

 Kx1