

**AXOR Citterio M  
Pressure Balance Trim**

Finishes : **chrome**    Part no. : **34808001**



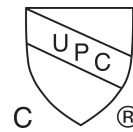
**Features**

- Flow: 5.44 GPM (20.6 L/Min)
- Integrated bypass for use with diverter tub spouts
- Temperature and on/off control for 1 outlet

**Item details**

List Price \$ 499.00

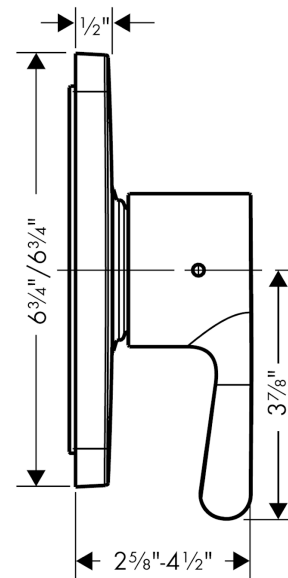
**Compliance**



**Product image**



**Scale drawing**

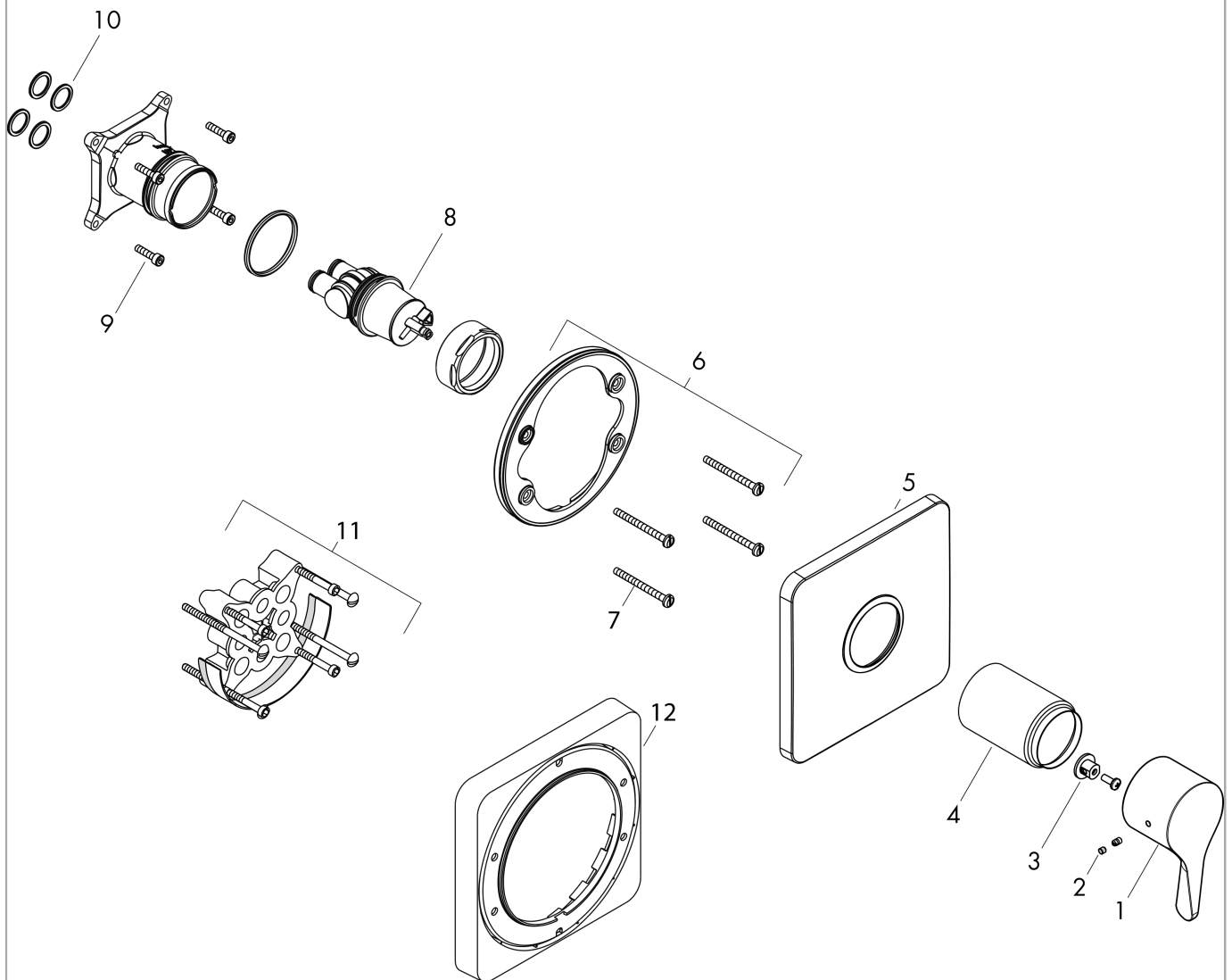


**AXOR Citterio M**  
**Pressure Balance Trim**  
Finishes : **chrome**    Part no. : **34808001**



## Exploded drawing

Year of production: >06/09



**AXOR Citterio M**  
**Pressure Balance Trim**  
 Finishes : **chrome**    Part no. : **34808001**



## Spare parts list

Year of production: >06/09

Pos.		Part no.	Price	PU
1	handle	88783000	-	1
2	screw cover	95181000	-	1
3	adapter for handle	92756000	-	1
4	sleeve	88765000	-	1
5	escutcheon	88780000	-	1
6	holder for escutcheon	98793000	-	1
7	set of fixing screws	96454000	-	1
8	cartridge, assy	88727000	-	1
9	set of screws	96525000	-	1
10	O-ring 16x2	98133000	-	1
11	extension 25 mm	13595000	-	1
12	extension 22 mm	98860000	-	1
a	base body	01850181	-	1