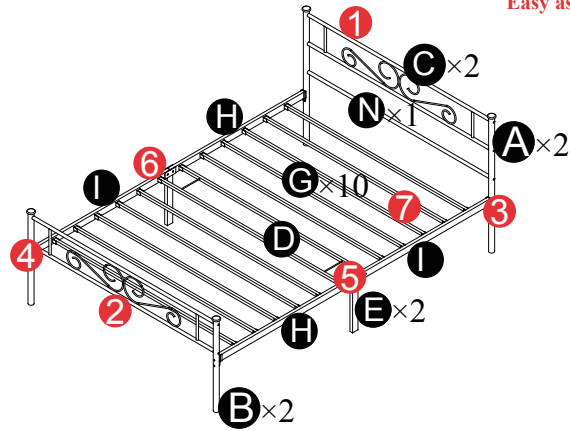


# Small Single/Single Size Bed Frame Installation Manual



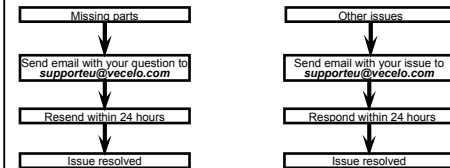
Componets	Screws & Tools
A x2	1 M8x45mm x8
B x2	2 M6x60mm x10
C x2	3 M6x40mm x8
D x1	4 M6x15mm x4
E x2	5 $\emptyset$ x18
G x10	6 M8 x4
H x2	7 M6 x4
I x2	8 M5 x1
L x2	9 M13/M10 x1
N x1	

Check all the components & screws before assembly. Do not install in case part is missing, contact us to get. Send email with your question to [supporteu@vecelo.com](mailto:supporteu@vecelo.com). We will resend within 24 hours.

### Return Policy

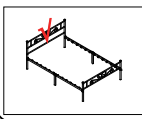
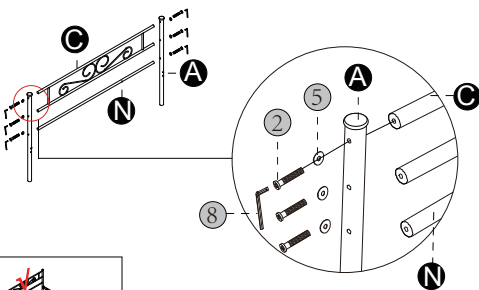
VECELO believes you will absolutely love your metal platform bed. But if for some reason you want to return the item, please contact us directly before you decide to return your product. Our customer service organization can answer most concerns and assist you with any questions you may have about your new item, please email us first at: [supporteu@vecelo.com](mailto:supporteu@vecelo.com). The item must be returned within 30 days of delivery for a full refund. The item must be returned in good condition, in original box, with all original proofs of purchase, parts and accessories.

### Trouble shooting:



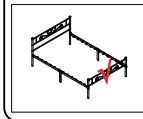
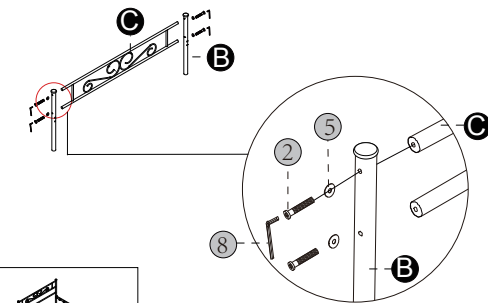
We control manufacturing and distribution ourselves, ensure the quality.

## 1 Headboard assembly



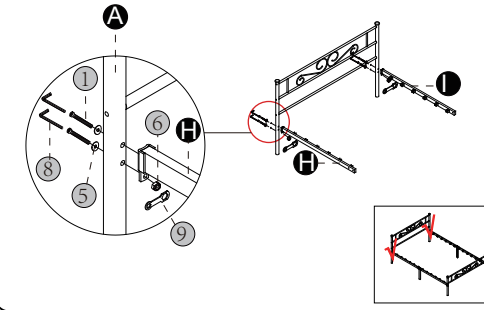
Note: In this step, please do not tighten the screws(2) up

## 2 Footboard assembly

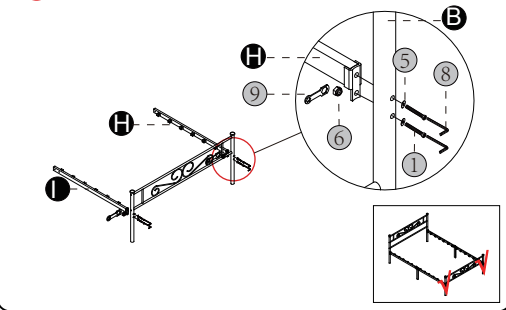


Note: In this step, please do not tighten the screws(2) up

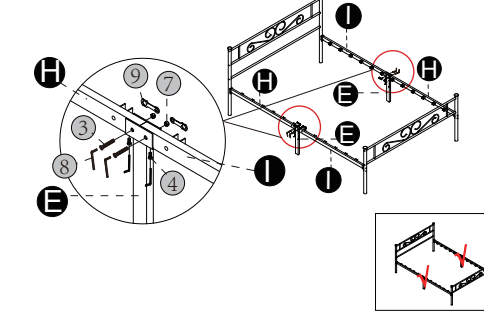
## 3 Connect H & I to headboard



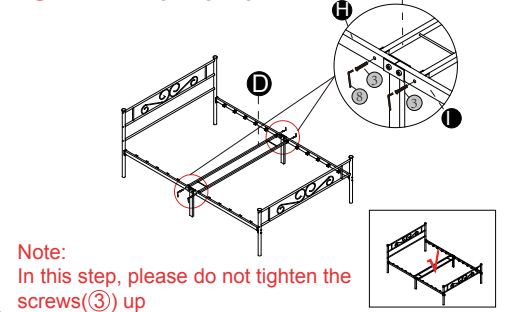
## 4 Connect H & I to footboard



## 5 Connect E to H & I

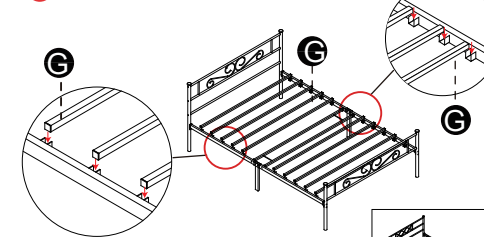


## 6 Connect D to H & I



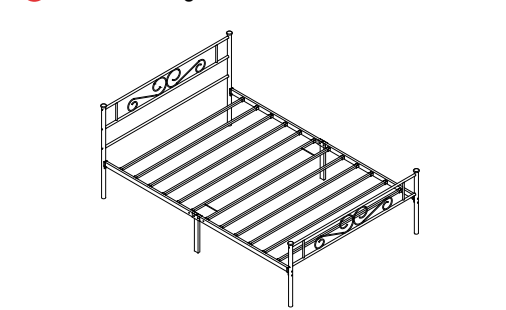
Note: In this step, please do not tighten the screws(3) up

## 7 Assemble bed slats



Note: If the bed slats cannot be inserted easily, loosen the screws (step 1 2 6)

## 8 Check and tighten all screws



## We'd Love to Hear from You!

VECELO cherishes the voice of every customer. Share your thoughts with us and get a £ 20 gift card reward.

**Step1:** Send your thoughts with order ID to [supporteu@vecelo.com](mailto:supporteu@vecelo.com)

**Step2:** Receive our £ 20 gift card reward right now

### How to find us?

Customer Service (24/7)  
Email: [supporteu@vecelo.com](mailto:supporteu@vecelo.com)  
Website: [www.vecelo.com](http://www.vecelo.com)  
Facebook page: **VECELO**

### CAUTIONS!

