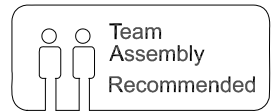
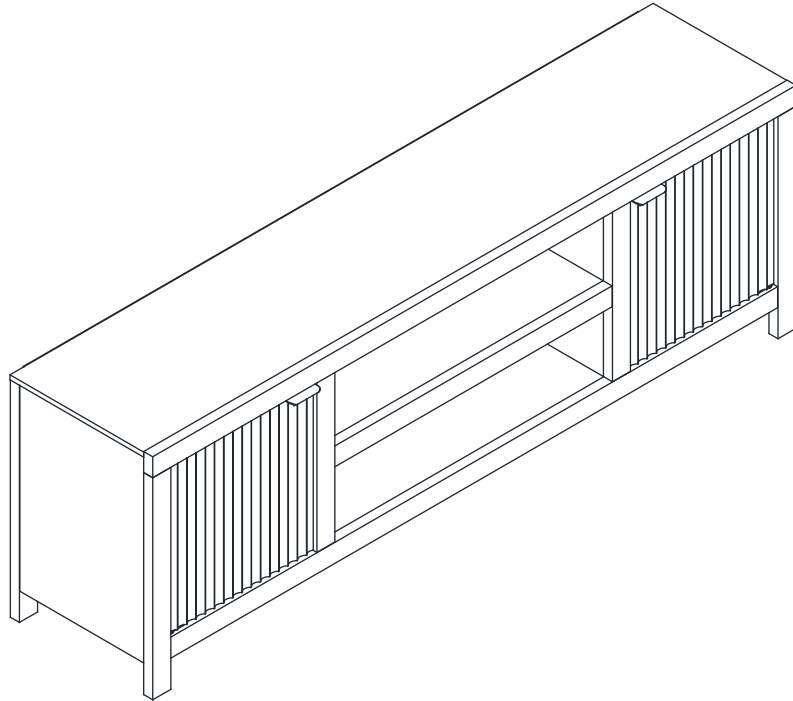


Assembly Instruction



Trouble shooting:

Missing / Wrong / Broken parts and installation issues



Send email with your question pic, order NO. and screenshot of order details



Respond within 24 hours



Issue resolved

Tips!



1. Check all the components & screws are intact before assembling .
2. If you notice any pieces are missing or damaged please do not assemble and contact us immediately .
3. **Please send an email with you order number and issues, we will respond within 24 hours.**

IMPORTANT SAFETY INFORMATION

Please carefully read the following instructions and caution warnings before assembling the product.

Following this guide will ensure that you install, use and maintain the product properly.

Please keep this installation and user manual/instructions for future reference in case you need to disassemble the product.

Never allow children to climb onto the product. Ensure that you have special safety measures when children are around on their own.

Be sure to check that all parts of the product are intact after you open the package.

Do not assemble if you notice serious damage such as cracks or bends.

During installation, please use work gloves for hand safety.

Please assemble the unit on carpeted floor or the flat cardboard box to avoid scratching the surface or your floor while assembling on the floor.

To assemble, please use the complimentary installation tools (Phillips screwdriver). Pay more attention to the direction of components at each steps.

It is recommended that two people work together to assemble the product.

RETURN POLICY

Please contact us directly within 30 days after receiving.

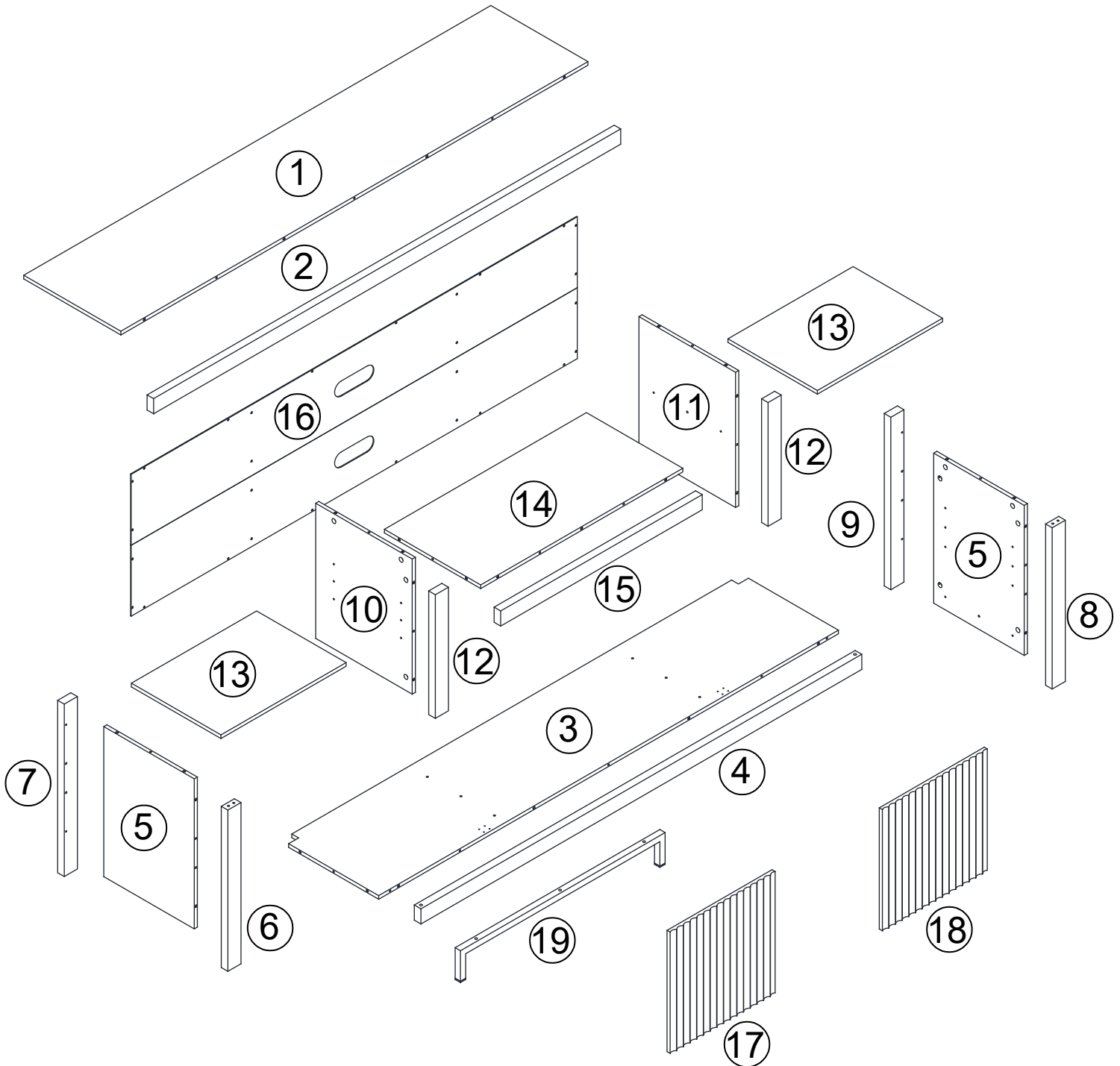
Ensure the product is in a good condition with the original box and all original certificates of purchase, manuals, and accessories attached.

HOW TO MAINTAIN YOUR PRODUCT

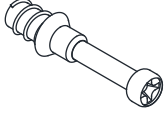




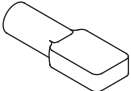
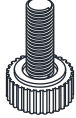
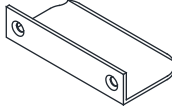

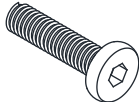
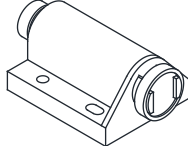
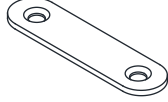
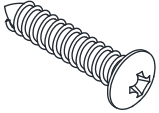
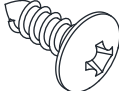

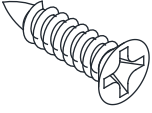
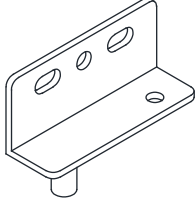
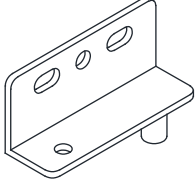






Check the screws of the product are not loose from regular use.

Do not use sharp instruments, rubbing alcohol, corrosive chemicals, or abrasive cleaners to clean the item.

Please check that you have all the parts listed below

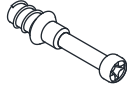


Please check that you have all the parts listed below

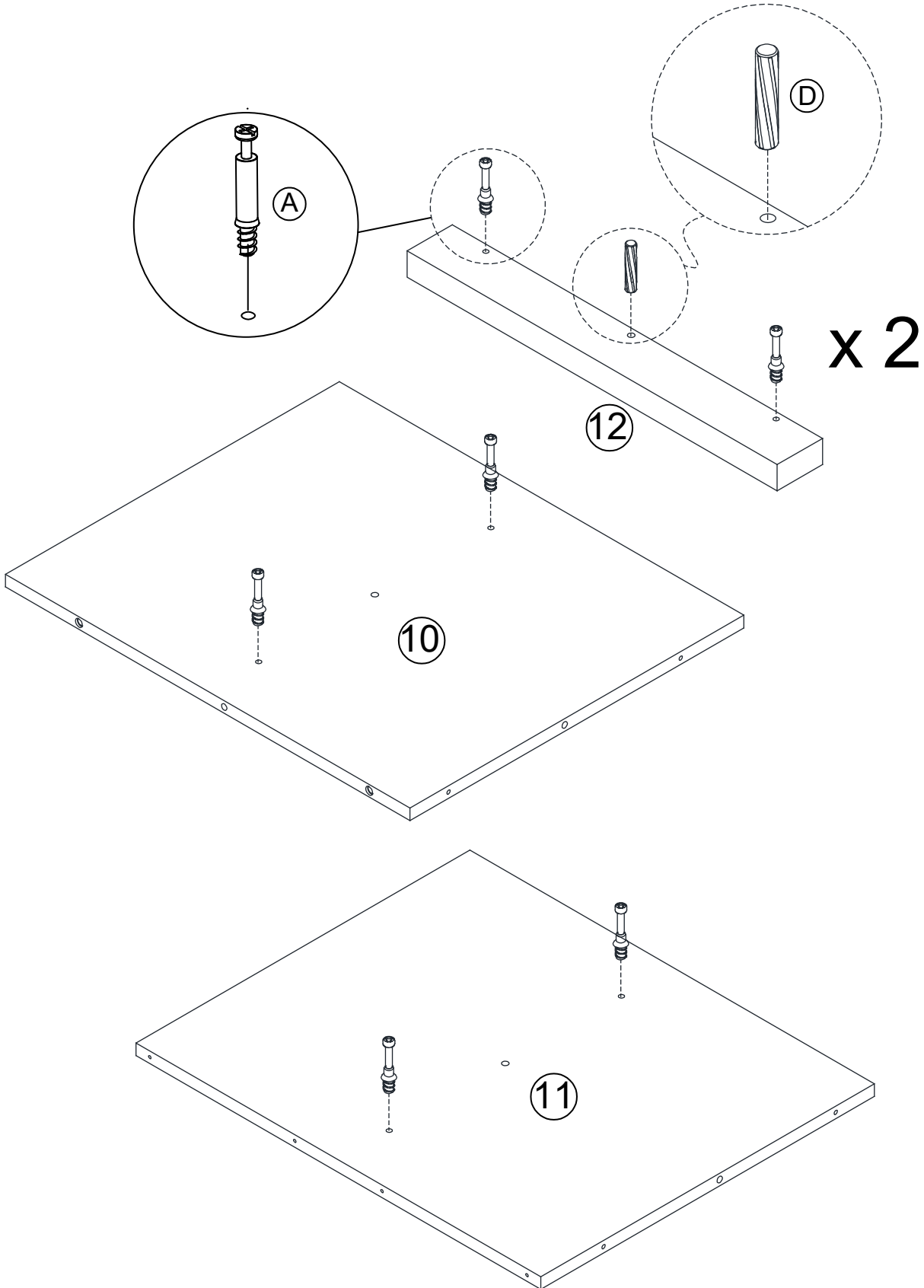
<p>Ⓐ x 39pcs</p>  <p>M6*32mm</p>	<p>Ⓑ x 39pcs</p>  <p>Ø15*9mm</p>	<p>Ⓒ x 39pcs</p>  <p>Ø25mm</p>	<p>Ⓓ x 34pcs</p>  <p>Ø6*30mm</p>
<p>Ⓔ x 1pc</p>  <p>M4*55mm</p>	<p>Ⓕ x 8pcs</p>  <p>Ø7.5*12+Ø5*9mm</p>	<p>Ⓖ x 2pcs</p>  <p>Ø17*8mm</p>	<p>Ⓗ x 2pcs</p> 
<p>Ⓙ x 4pcs</p>  <p>M3*10mm</p>	<p>Ⓚ x 3pcs</p>  <p>M6*28mm</p>	<p>Ⓛ x 2pcs</p> 	<p>Ⓜ x 2pcs</p> 
<p>Ⓟ x 4pcs</p>  <p>M5*35mm</p>	<p>Ⓠ x 28pcs</p>  <p>M4*12mm</p>	<p>Ⓢ x 4pcs</p>  <p>M4*12mm</p>	<p>Ⓣ x 8pcs</p>  <p>M3*16mm</p>
<p>Ⓡ x 2set</p>        			

1

(A) x 8pcs

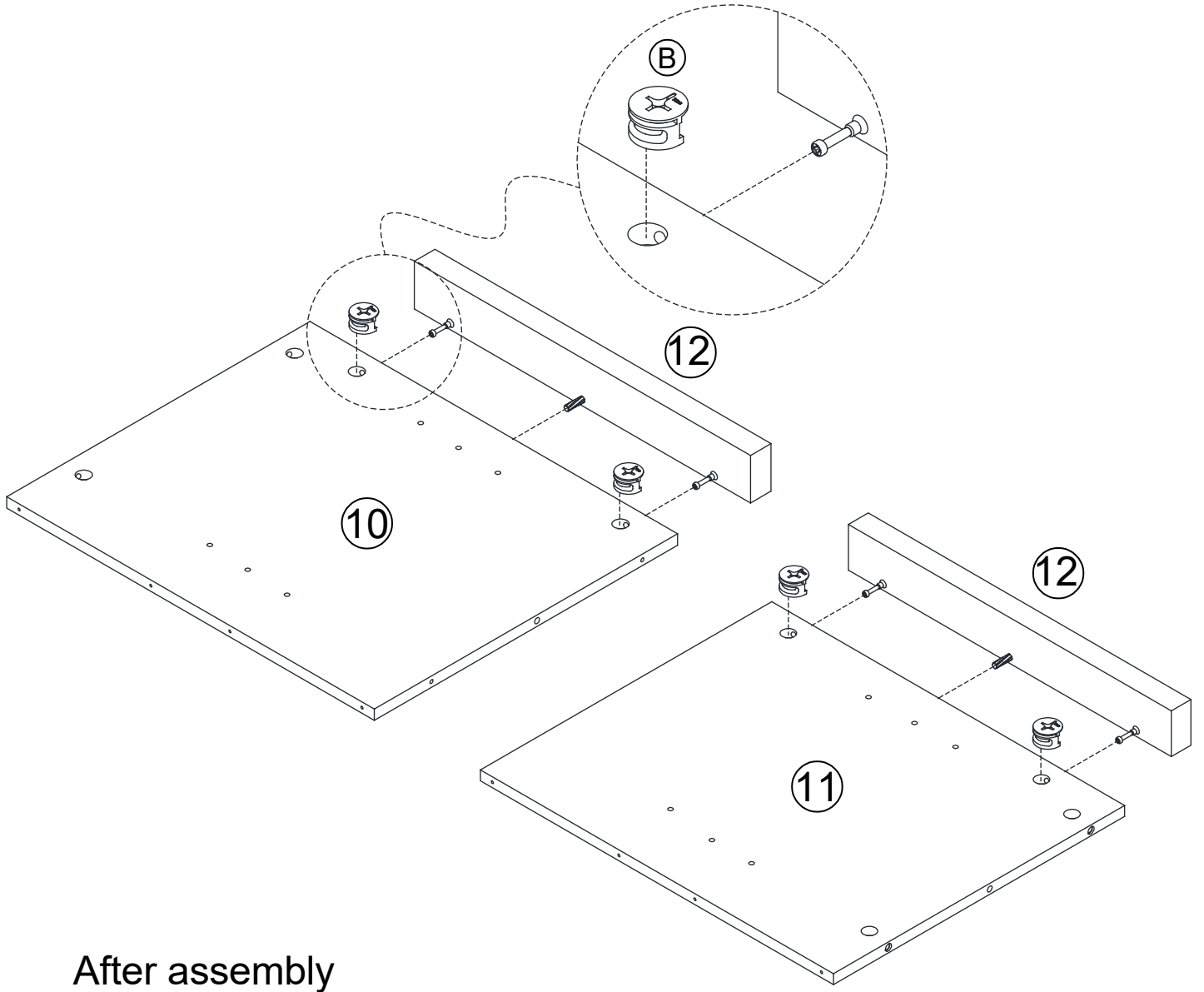
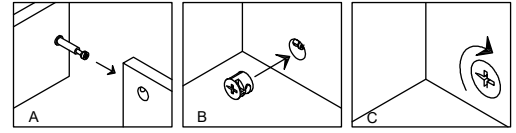


(D) x 2pcs

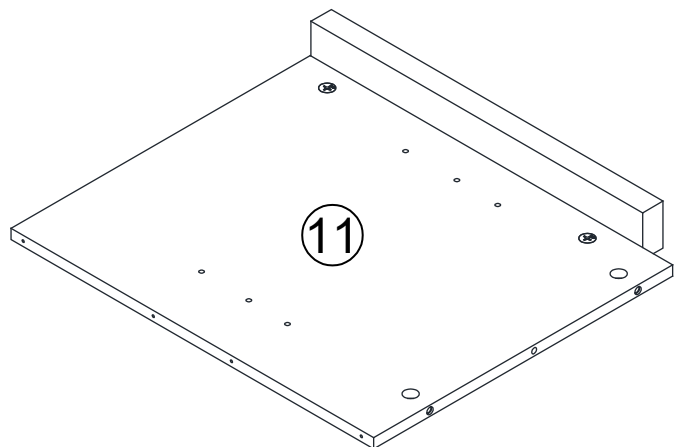
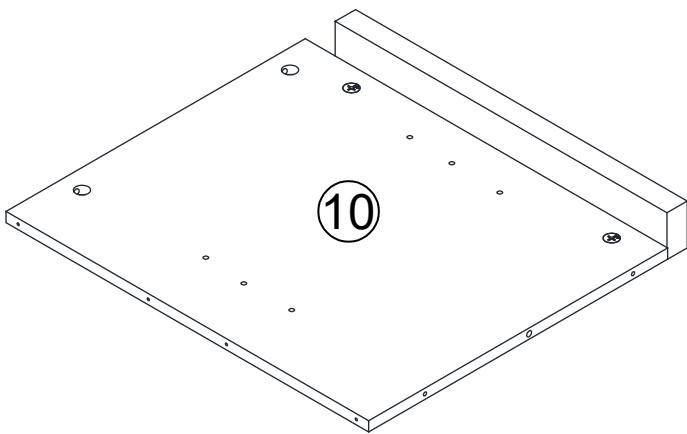


2

(B) x 4pcs

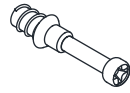


After assembly

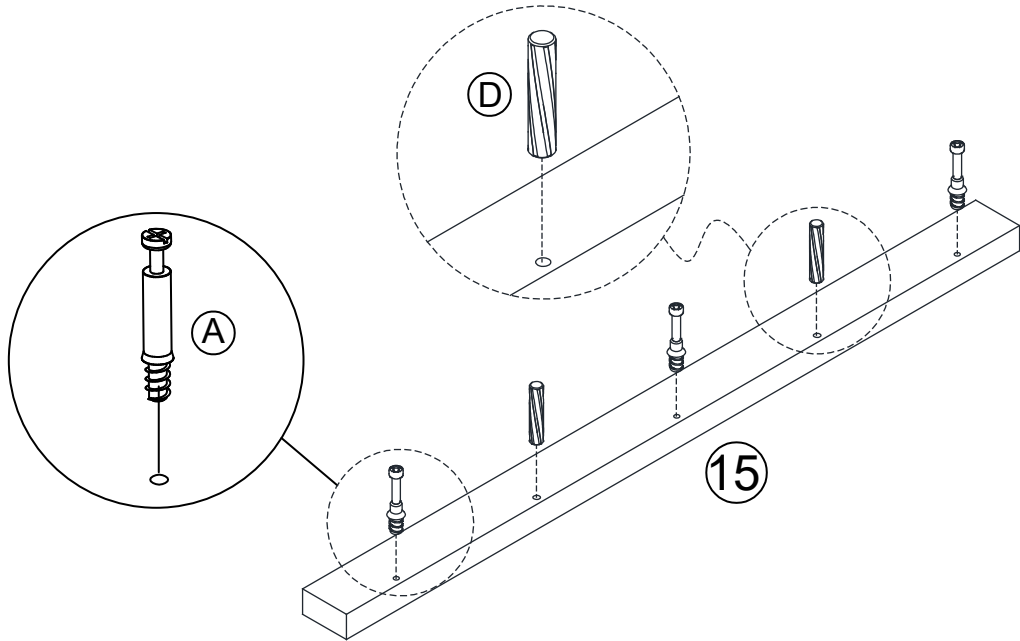


3

(A) x 3pcs

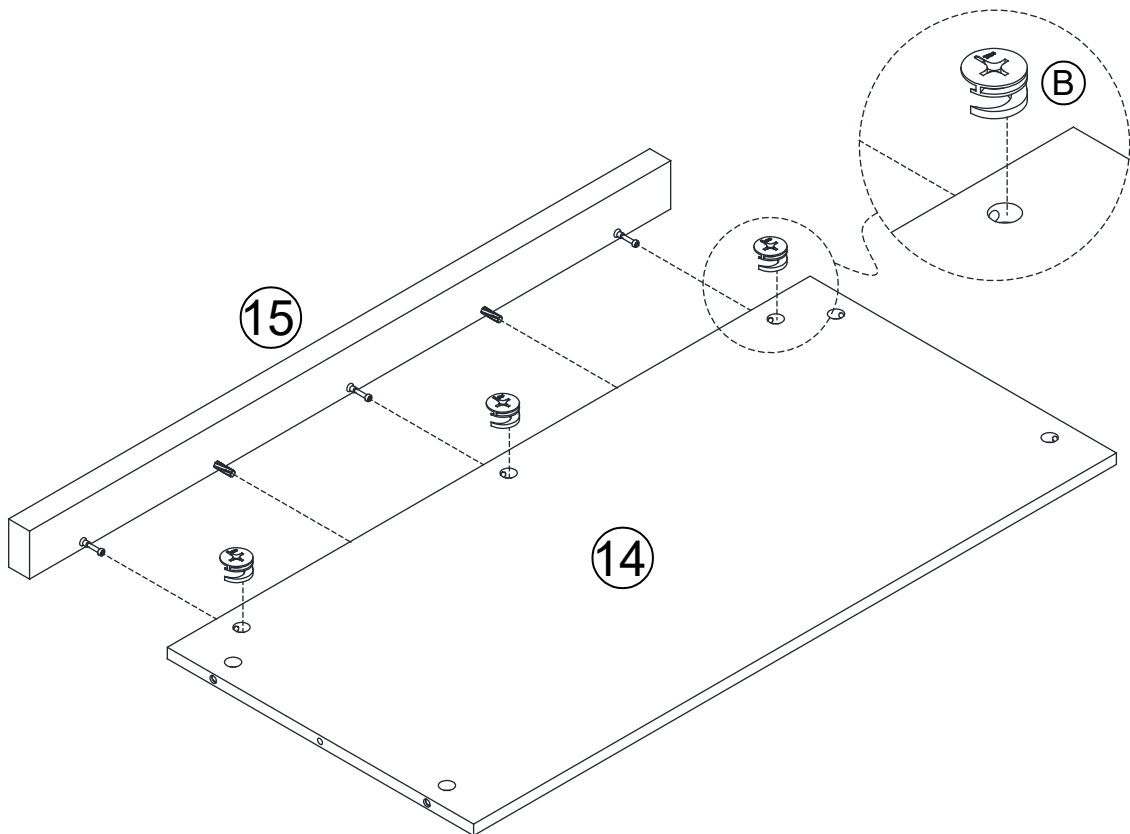
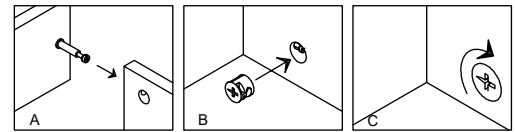


(D) x 2pcs



4

(B) x 3pcs

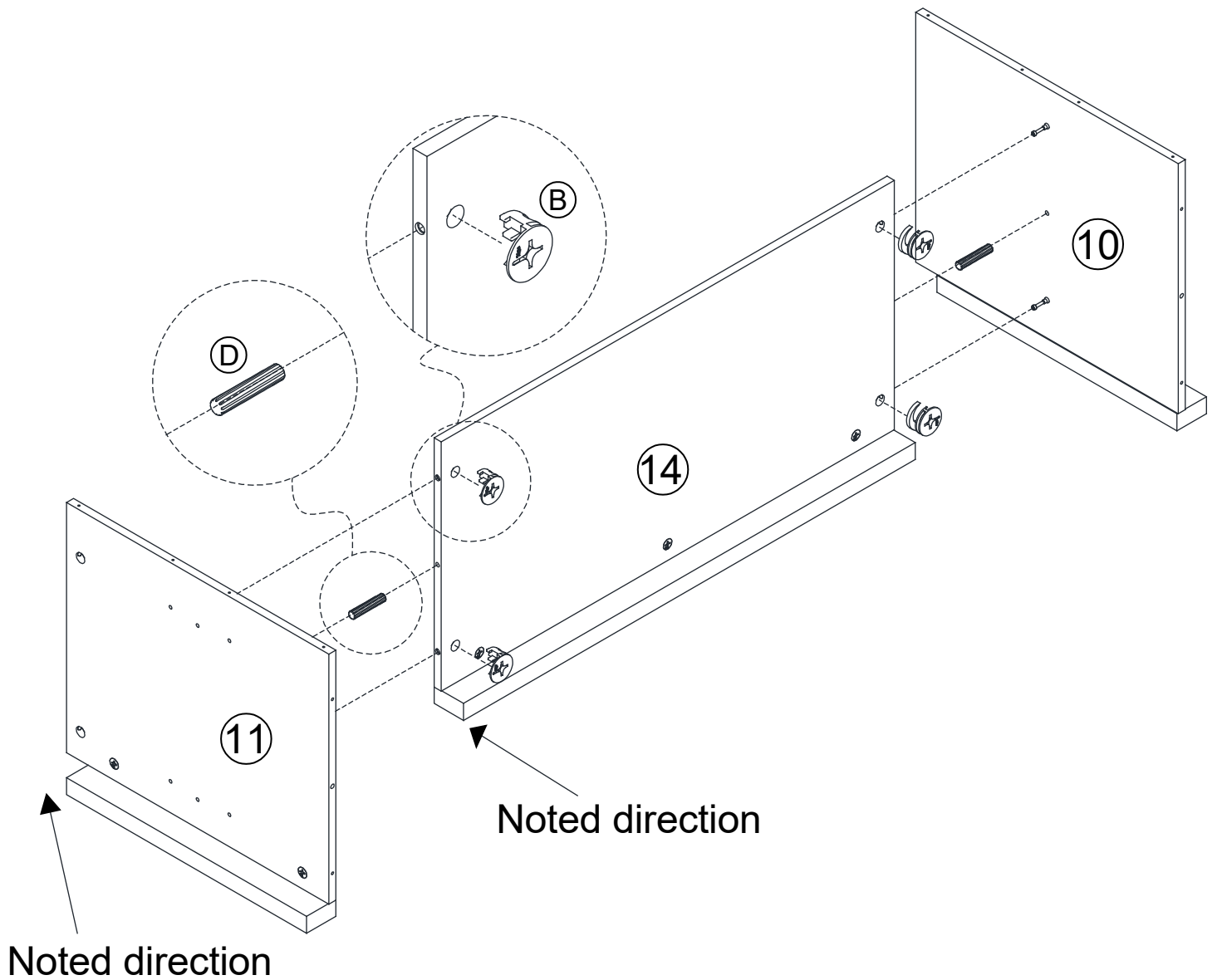
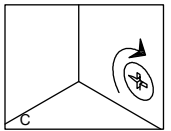
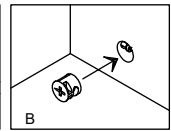
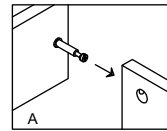


5

ⓑ x 4pcs

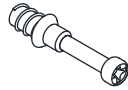


ⓓ x 2pcs

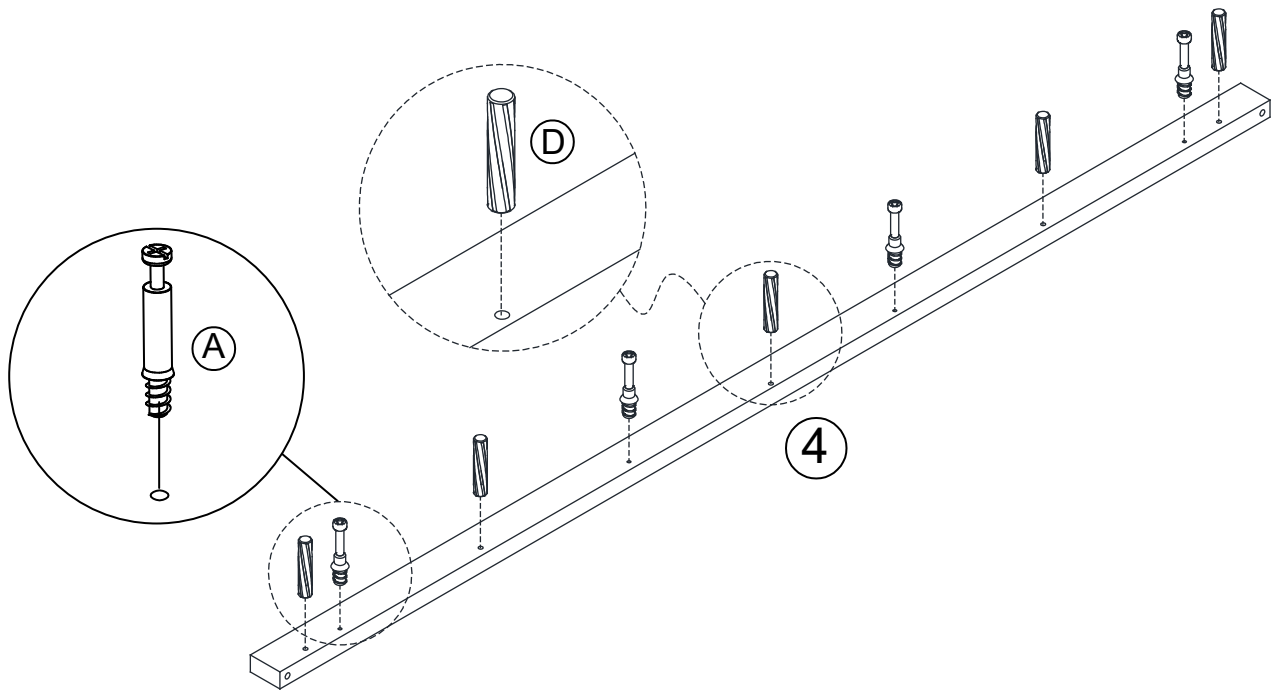


6

(A) x 4pcs

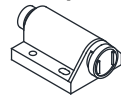


(D) x 5pcs

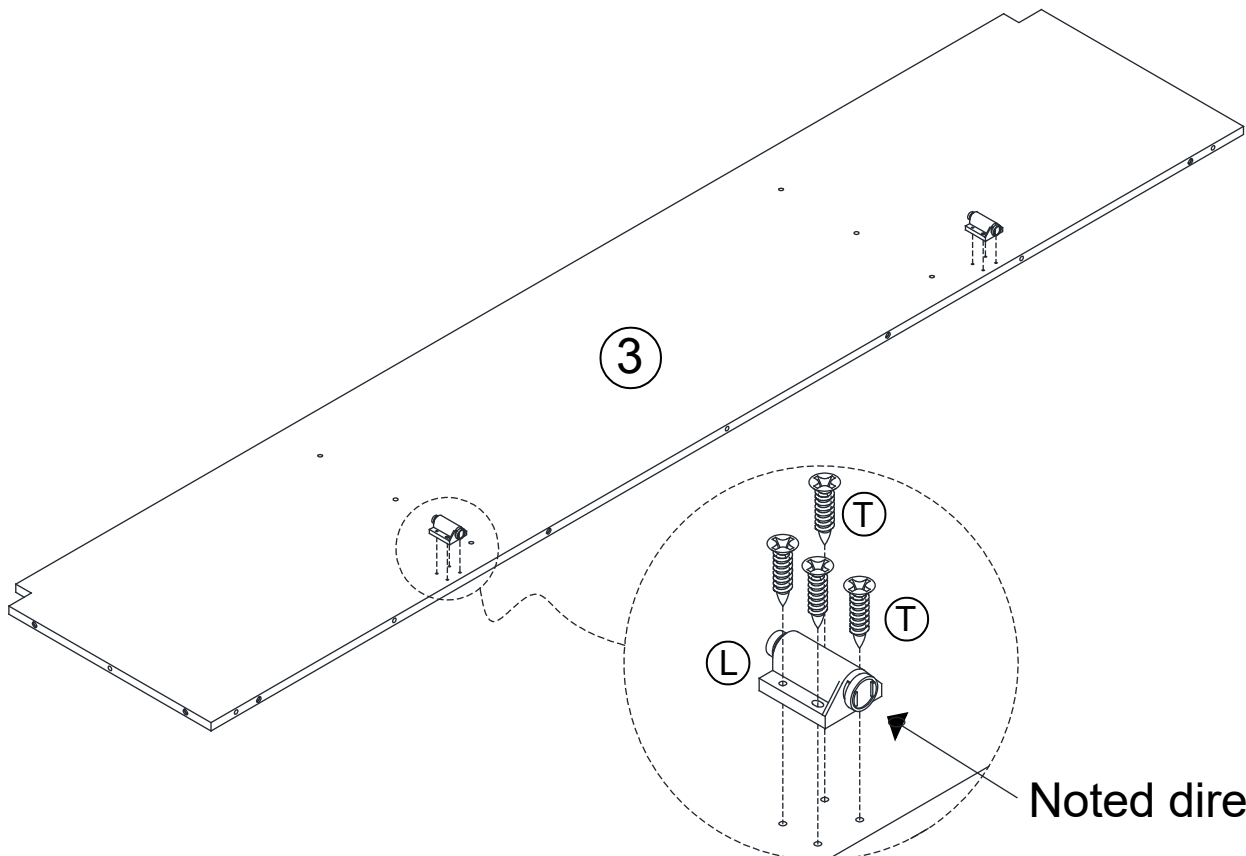
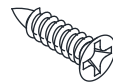


7

(L) x 2pcs

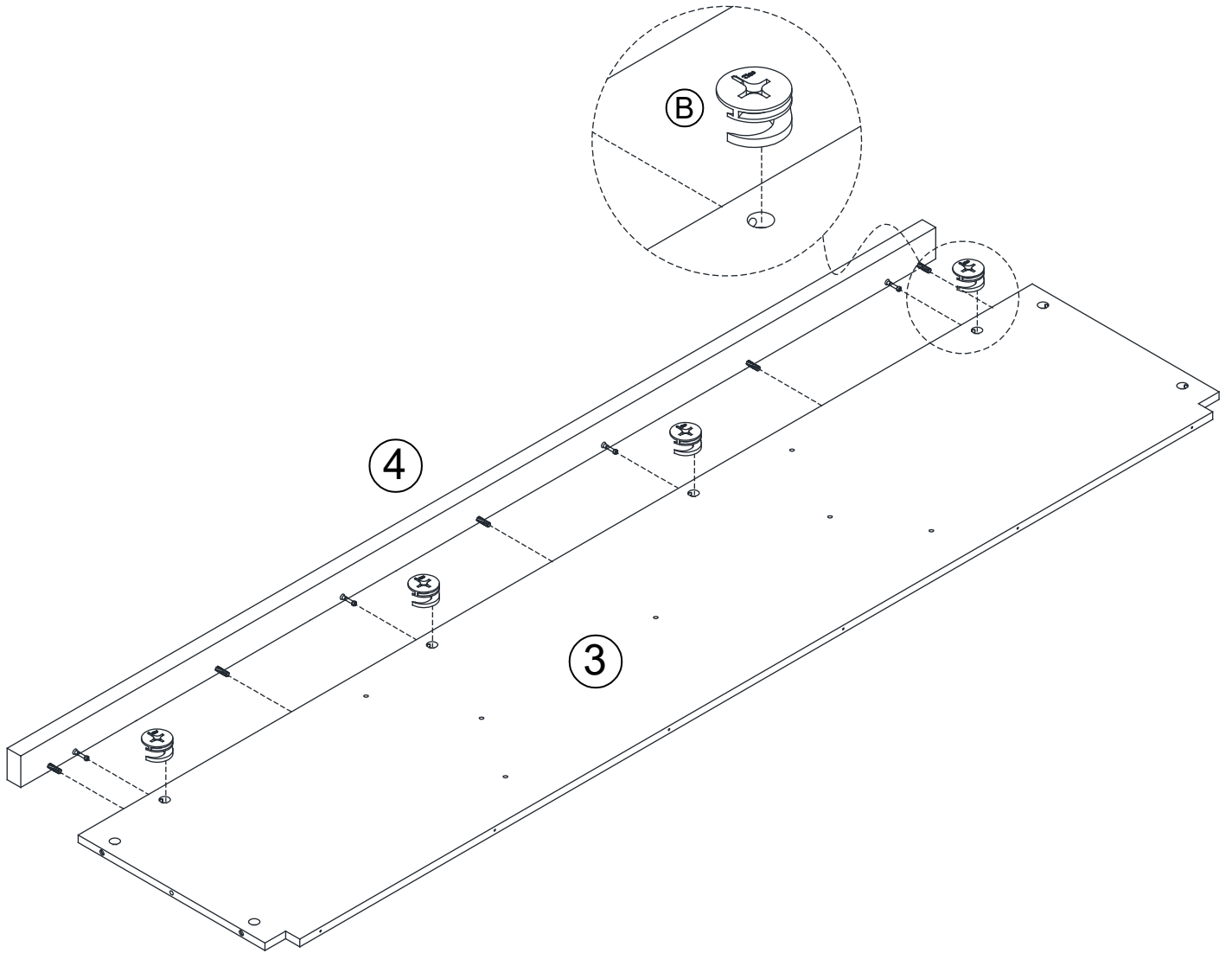
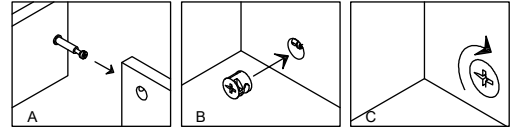


(T) x 8pcs



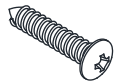
8

(B) x 4pcs

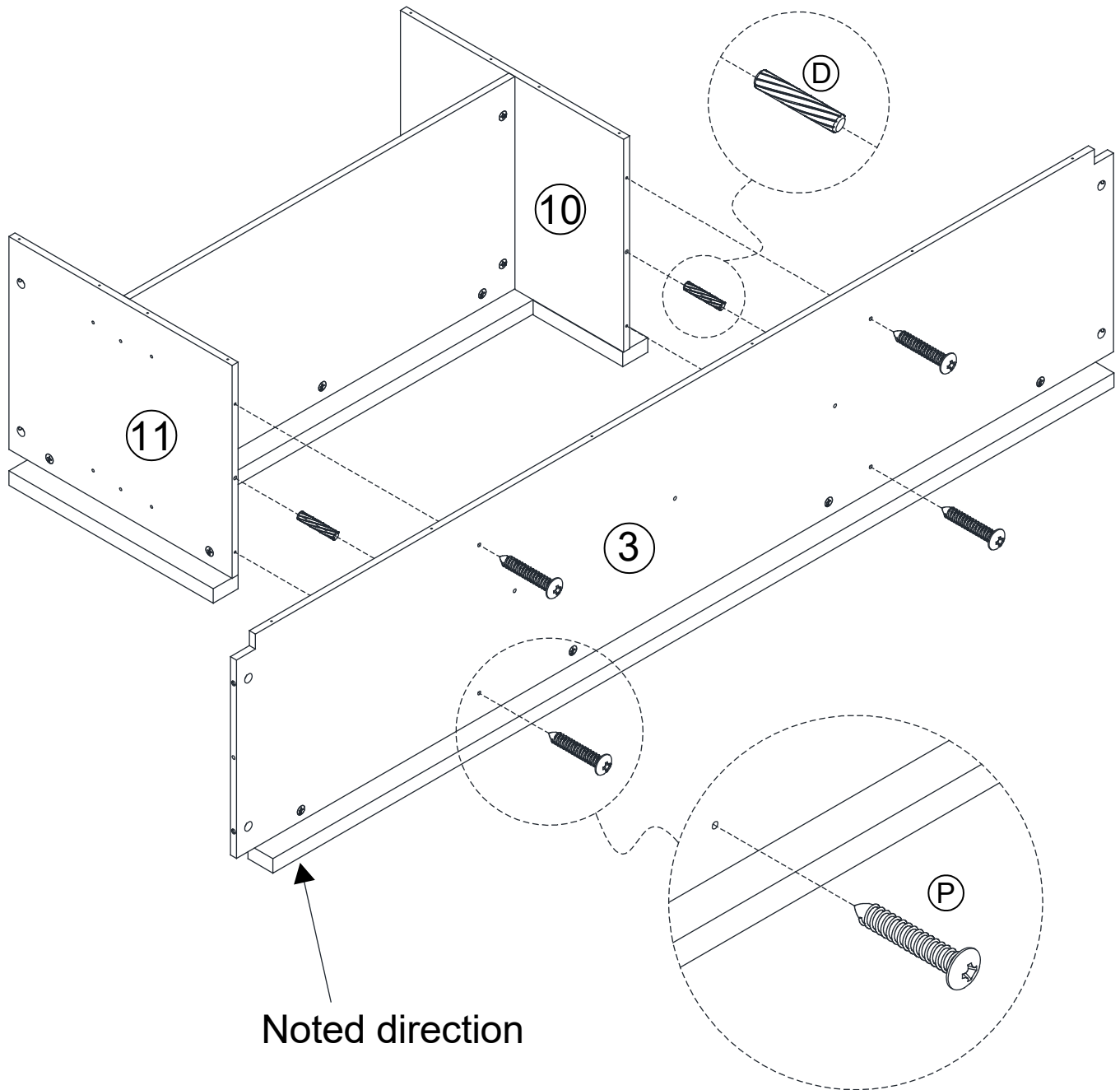


9

Ⓟ x 4pcs



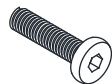
ⓓ x 2pcs



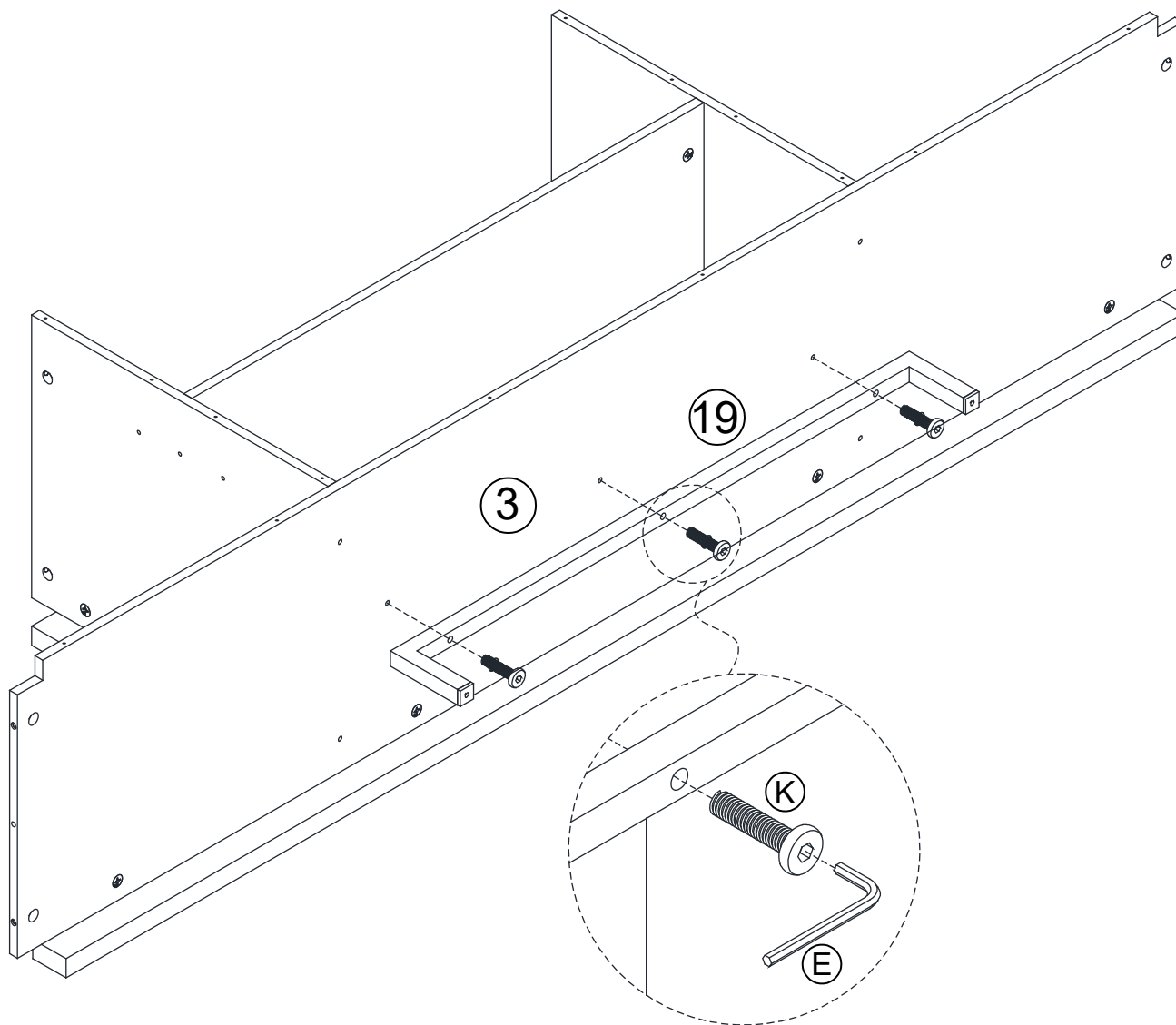
Noted direction

10

(K) x 3pcs

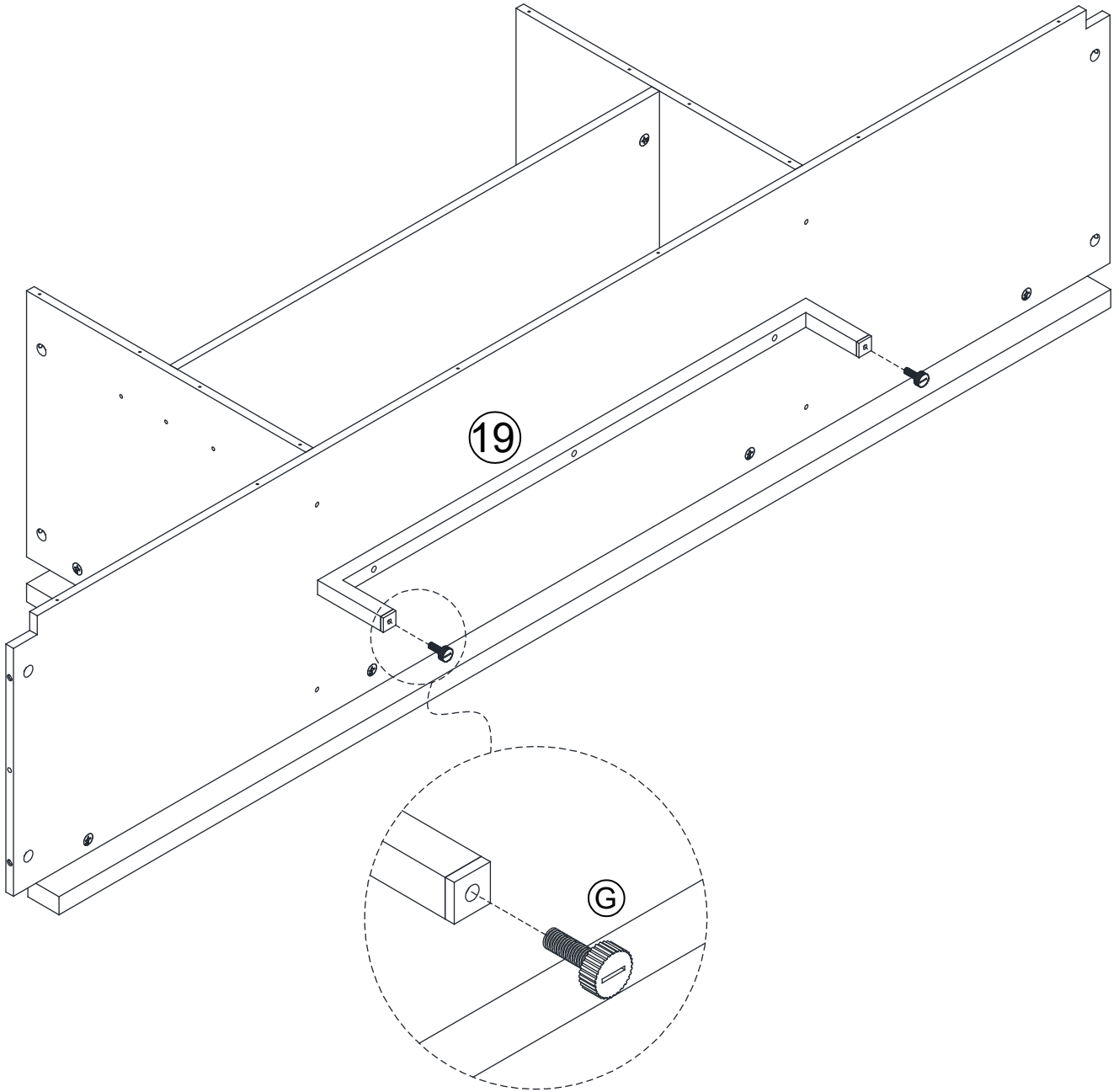


(E) x 1pc



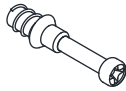
11

ⓐ x 2pcs

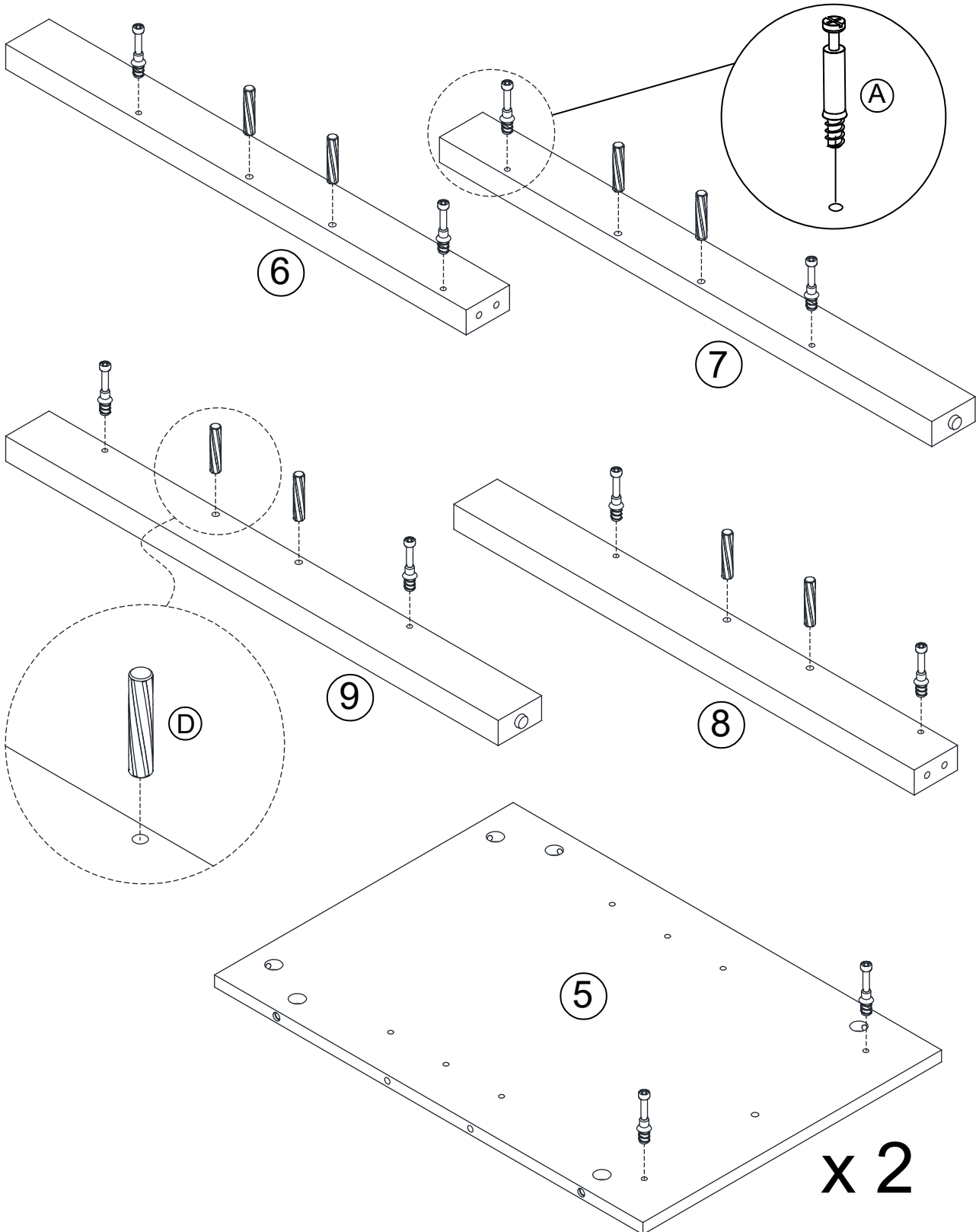


12

(A) x 12pcs

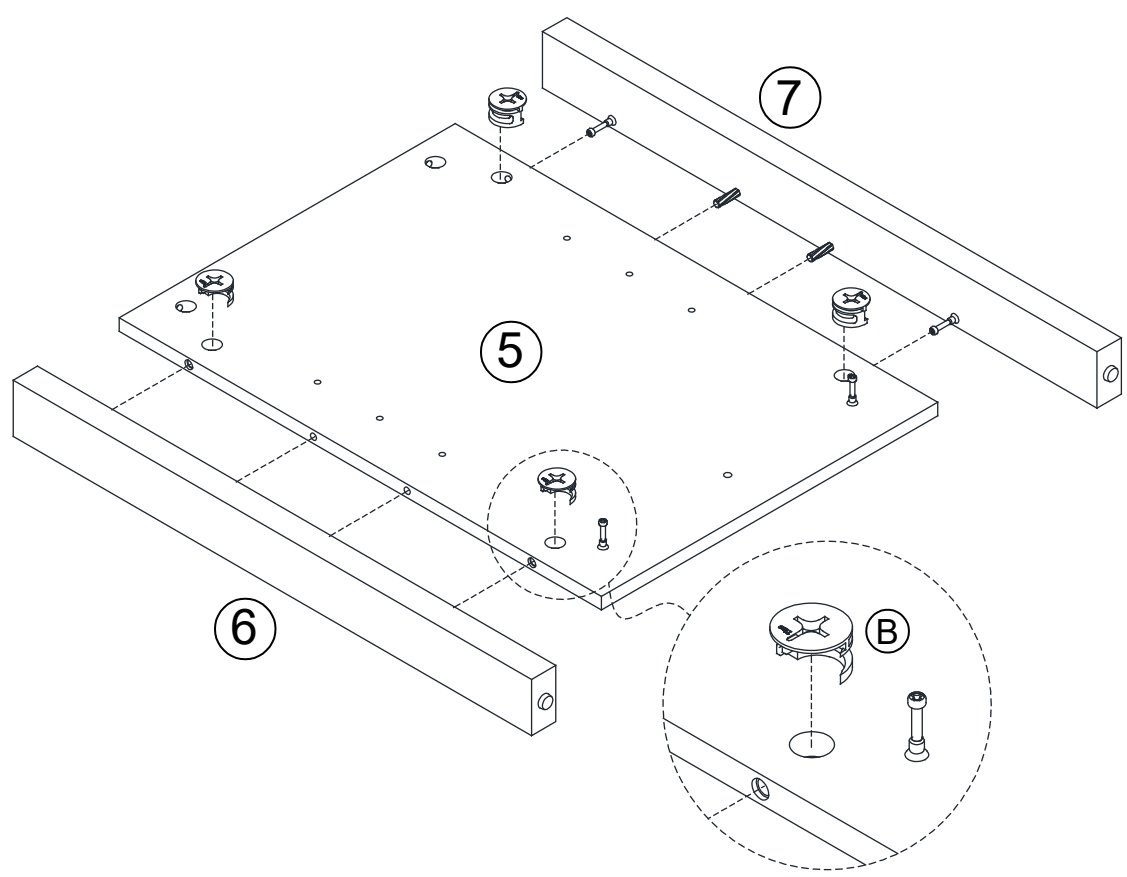
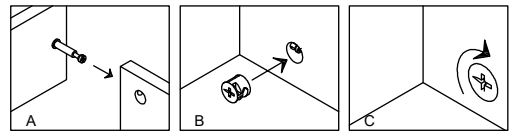


(D) x 8pcs

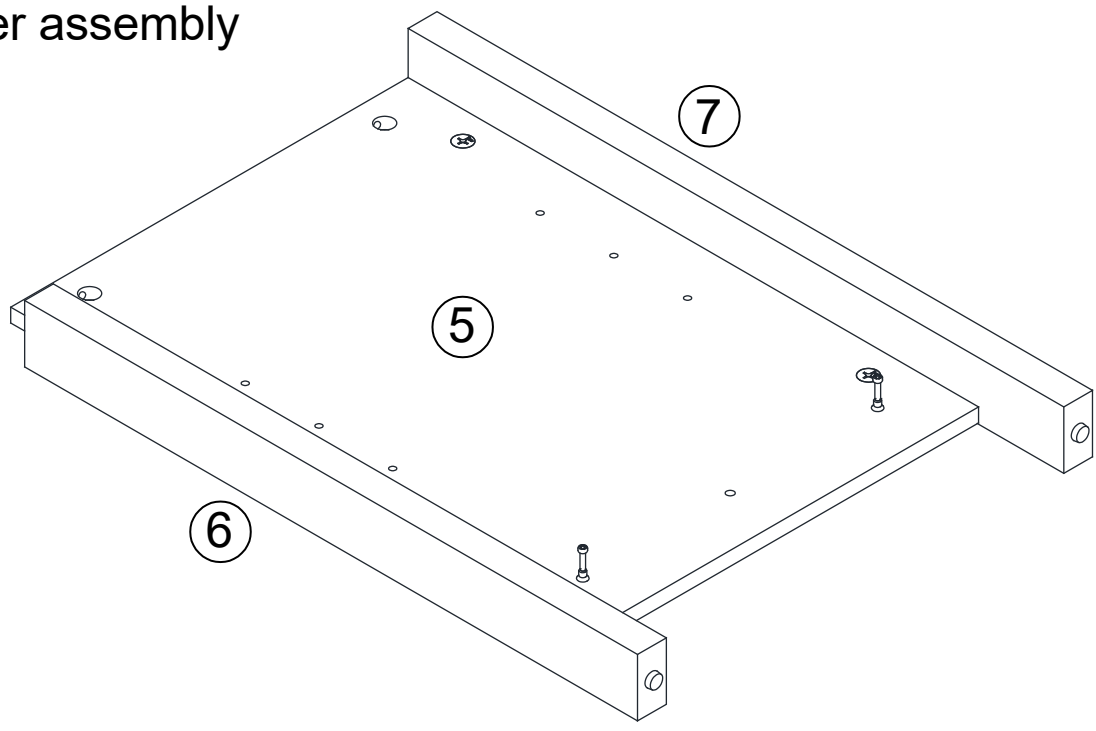


13

(B) x 4pcs

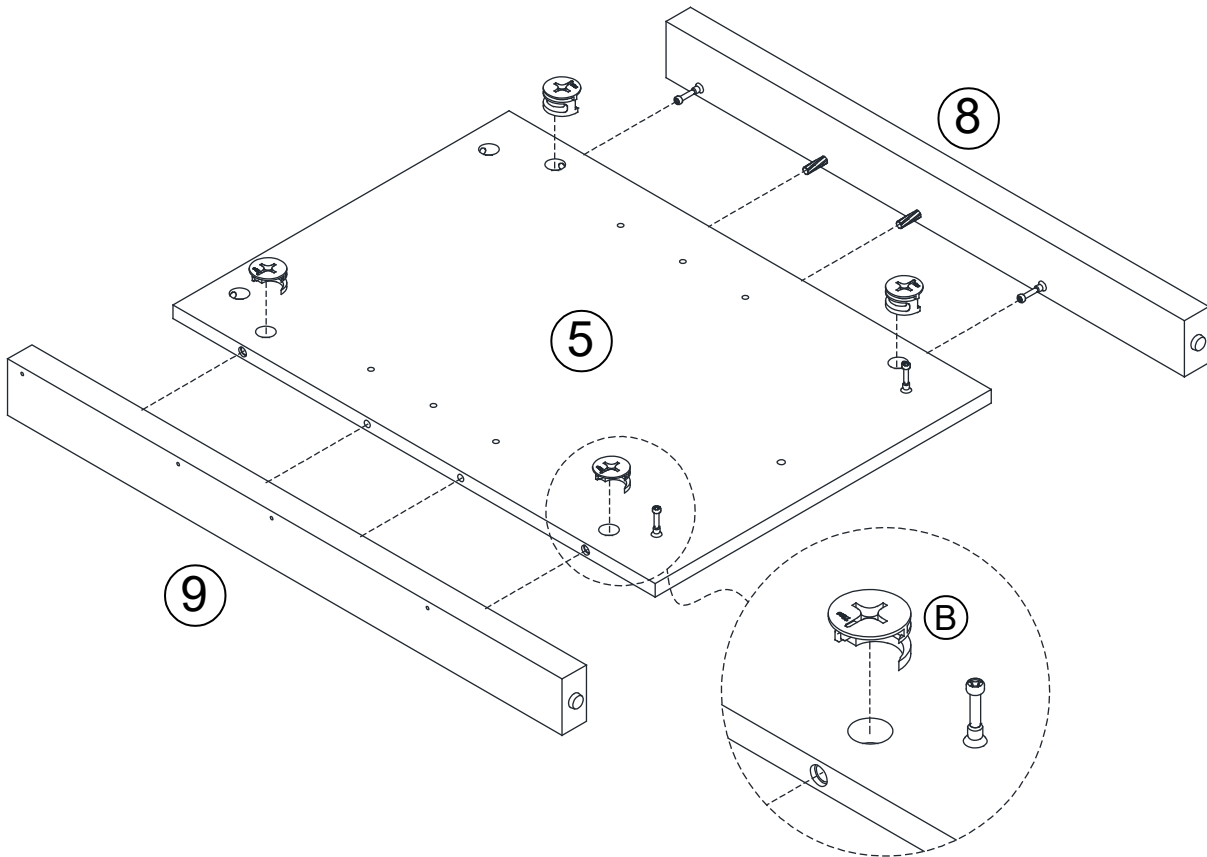
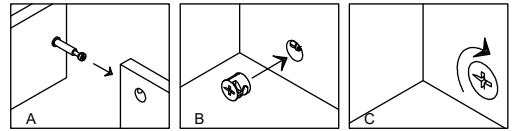


After assembly

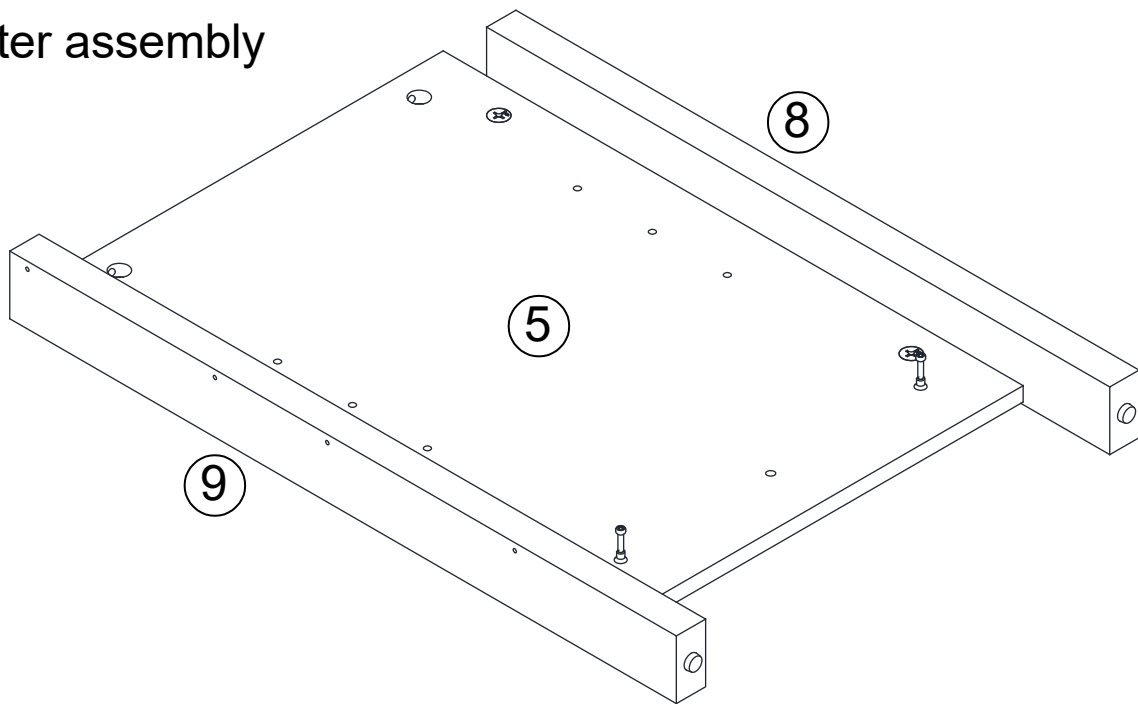


14

(B) x 4pcs



After assembly

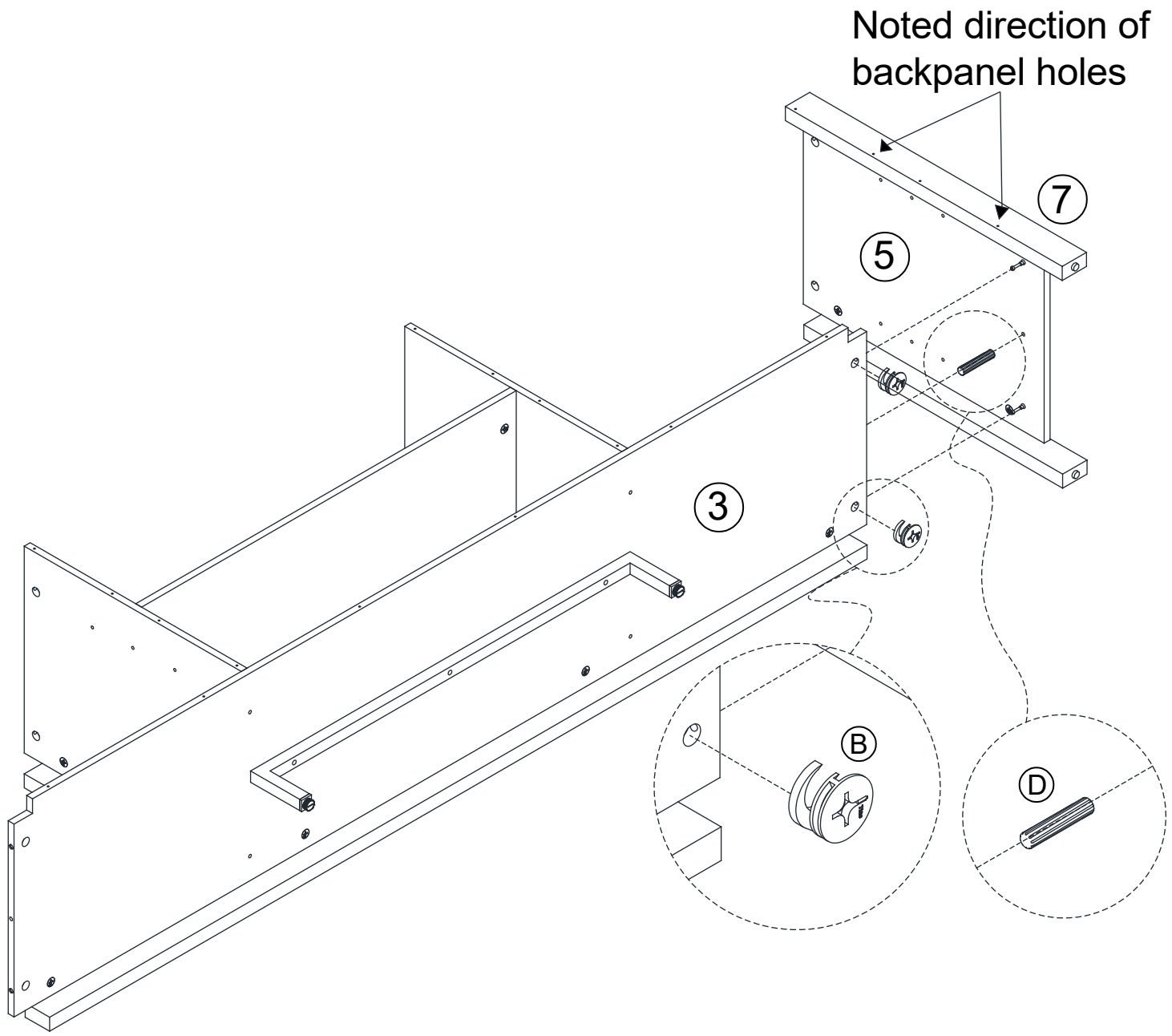
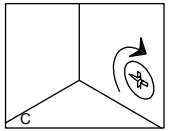
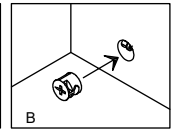
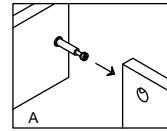


15

ⓑ x 2pcs



ⓓ x 1pc



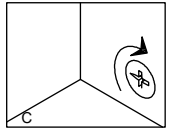
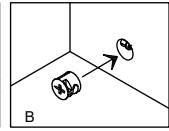
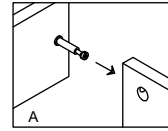
Noted direction of backpanel holes

16

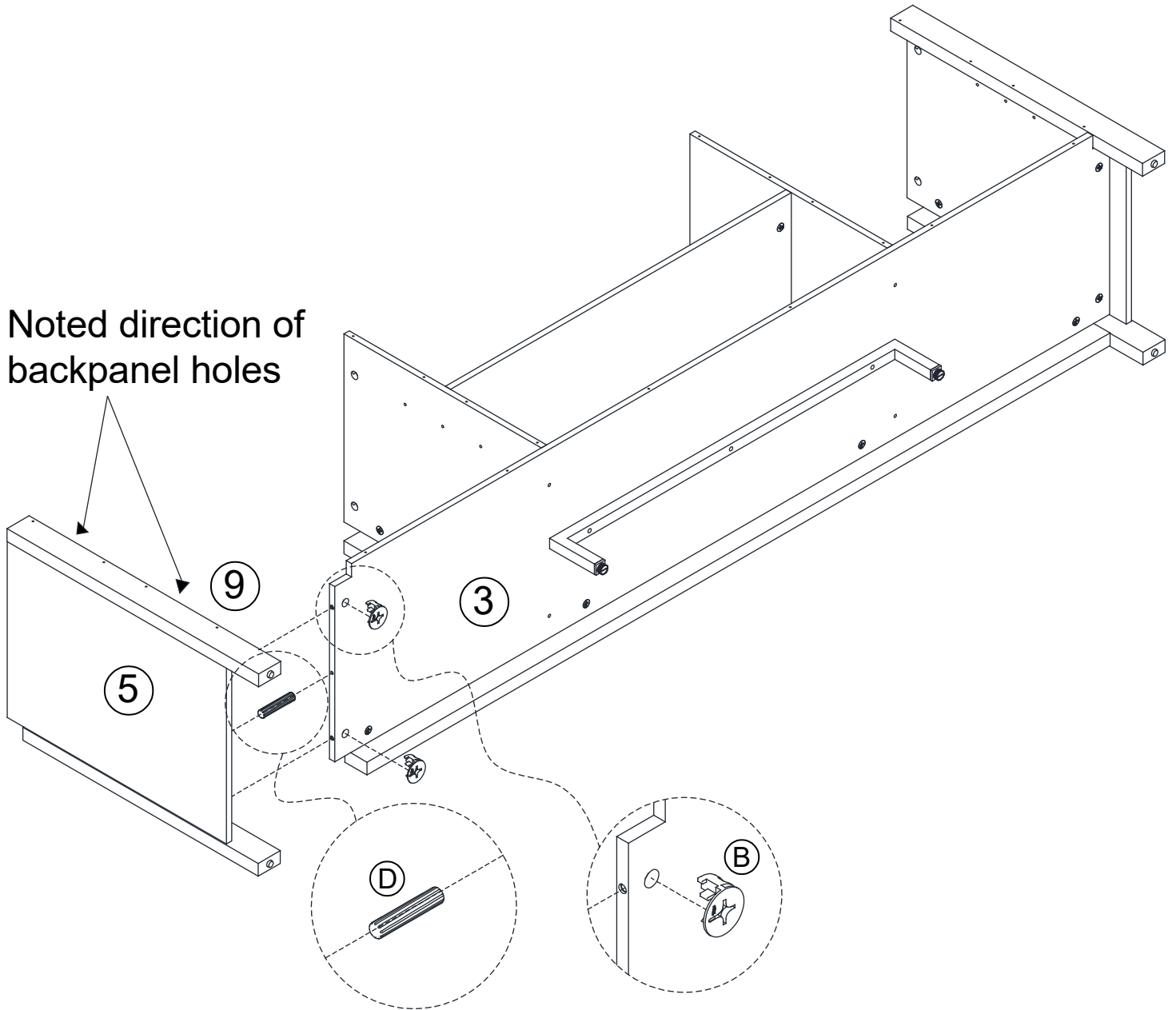
Ⓑ x 2pcs



Ⓓ x 1pc

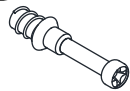


Noted direction of backpanel holes

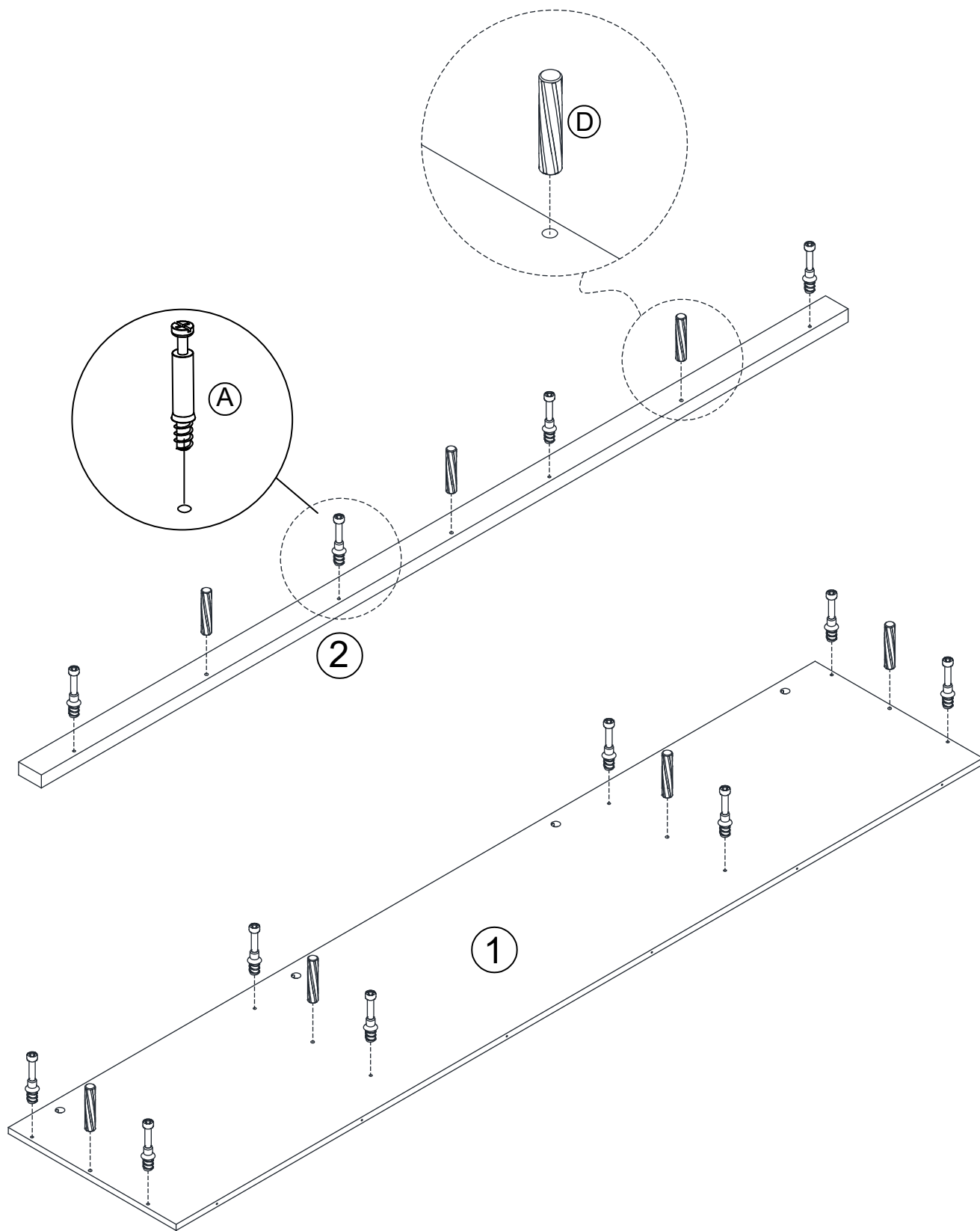


17

(A) x 12pcs

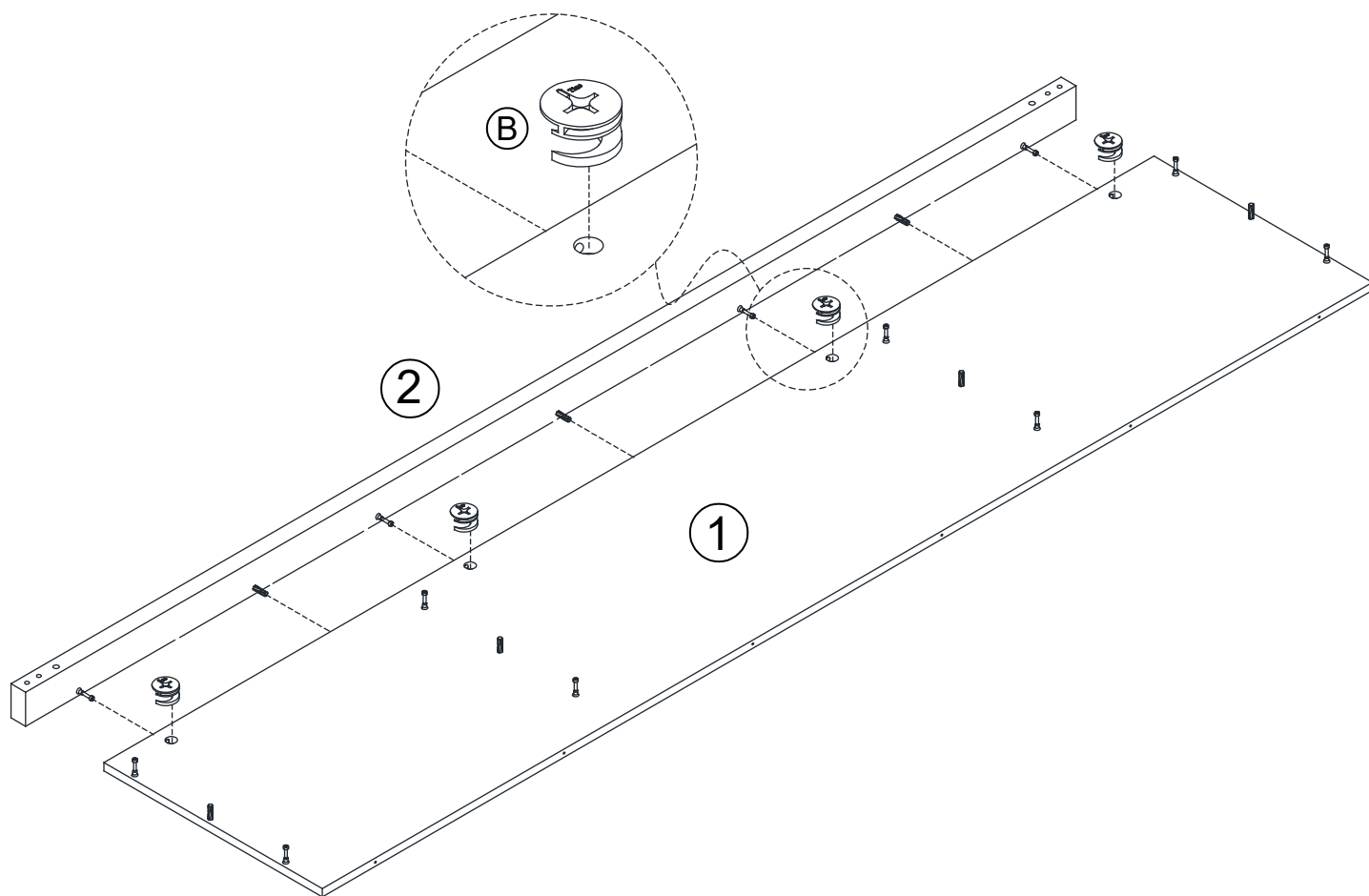
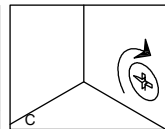
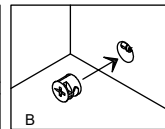
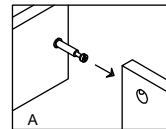


(D) x 7pcs



18

(B) x 4pcs

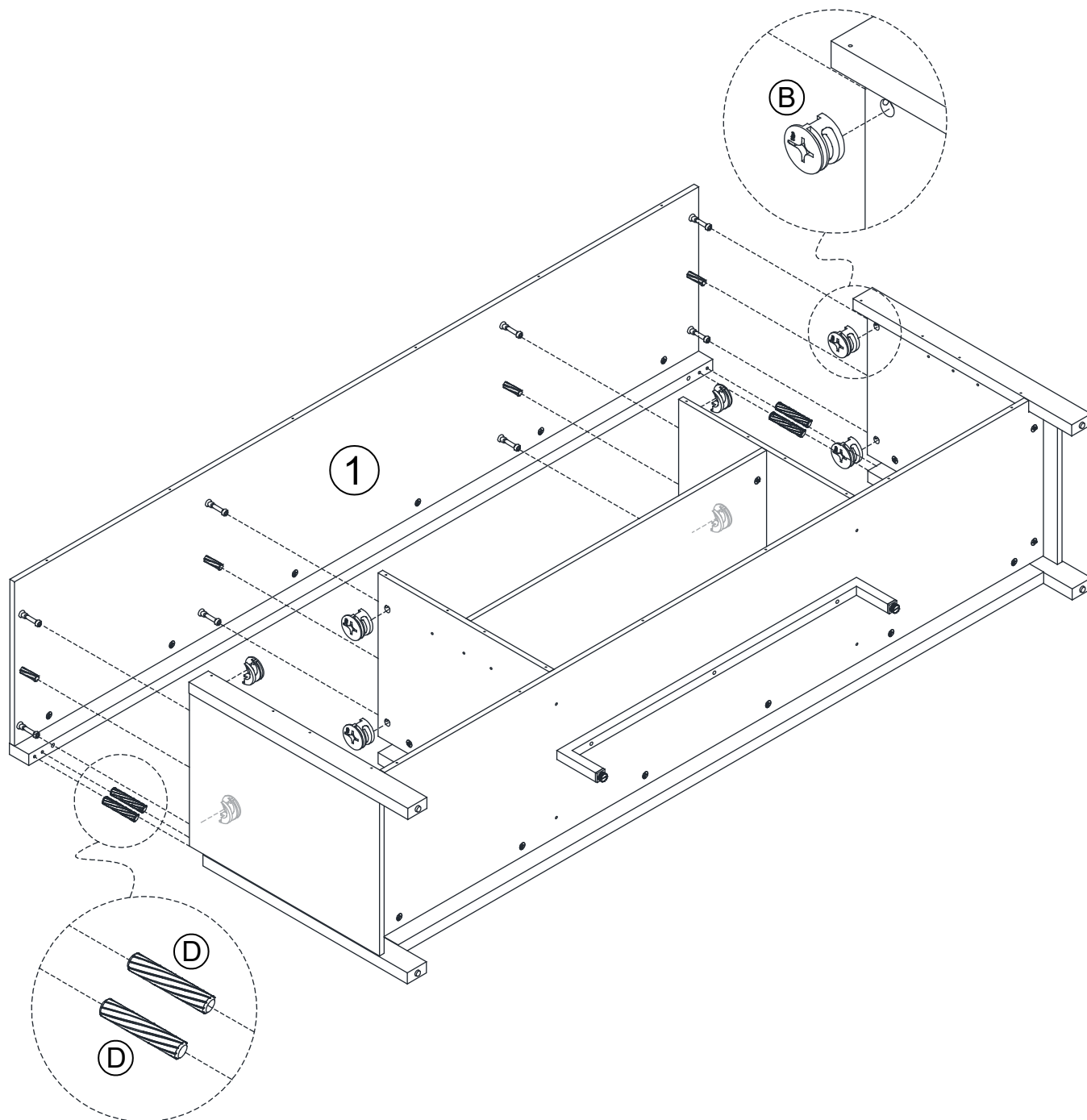
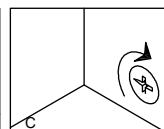
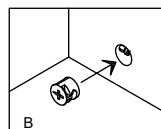
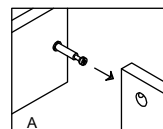


19

ⓑ x 8pcs

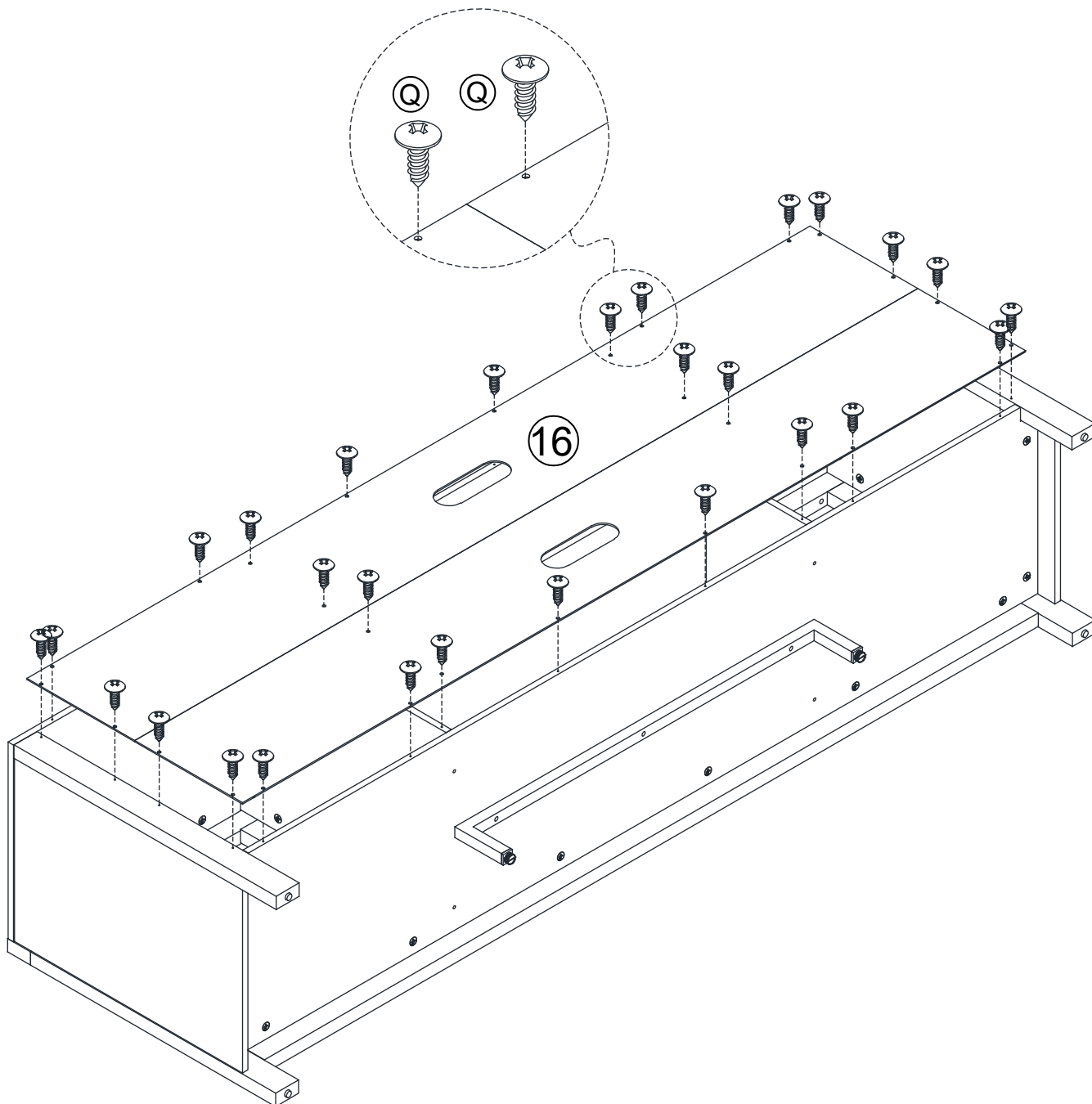
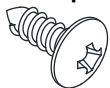


ⓓ x 4pcs



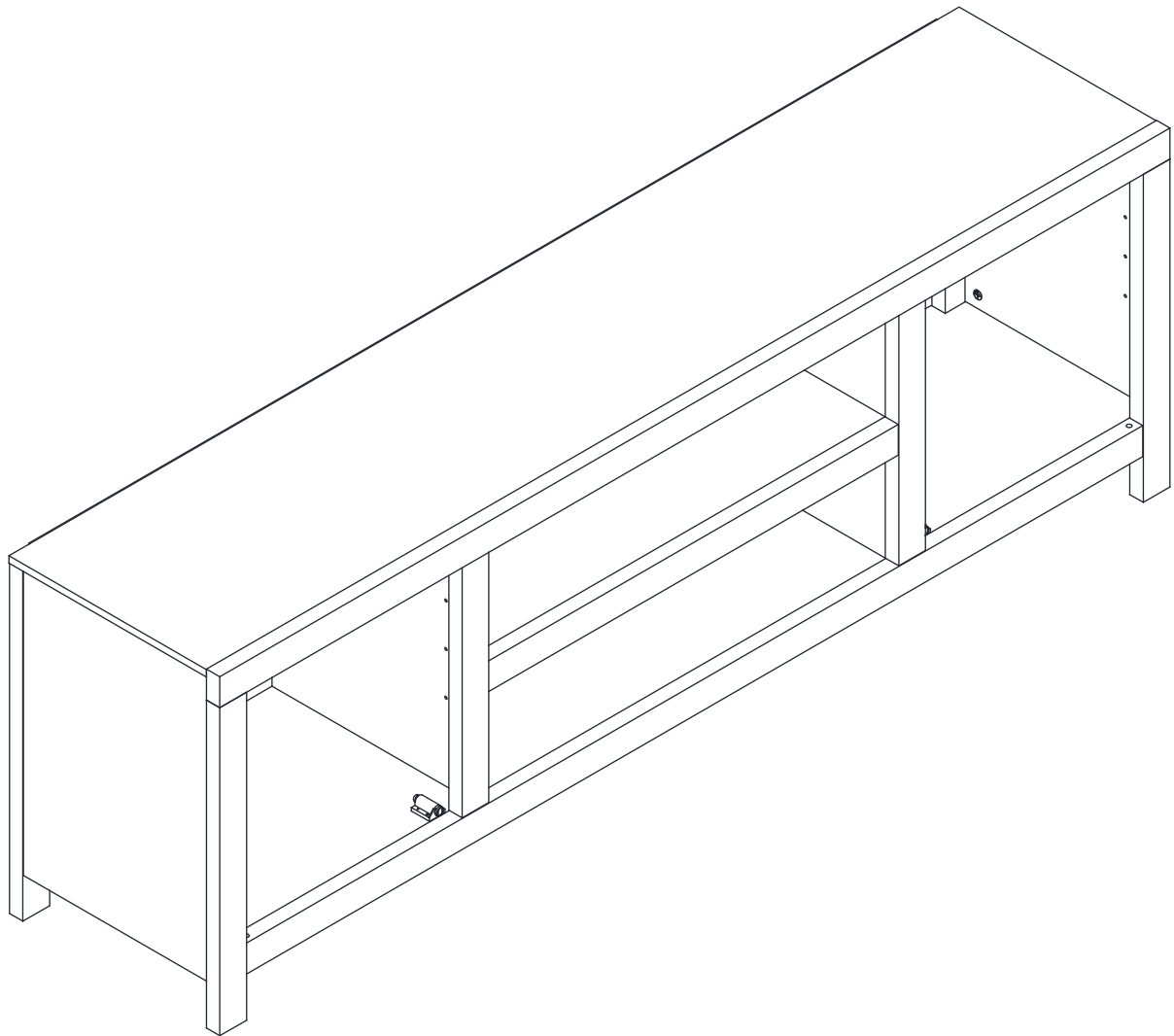
20

Q x 28pcs



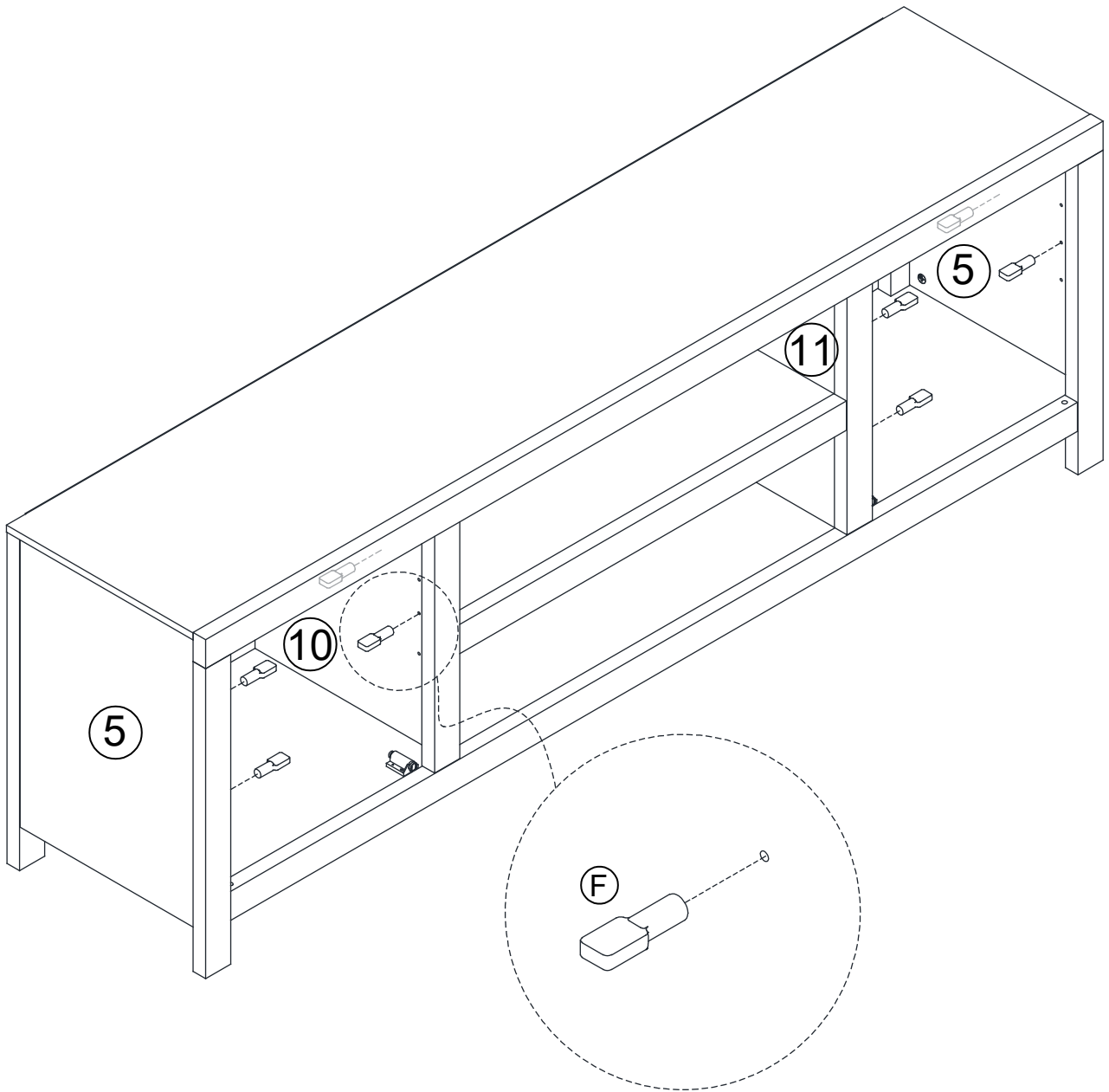
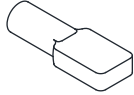
21

Please be careful to stand up the product.

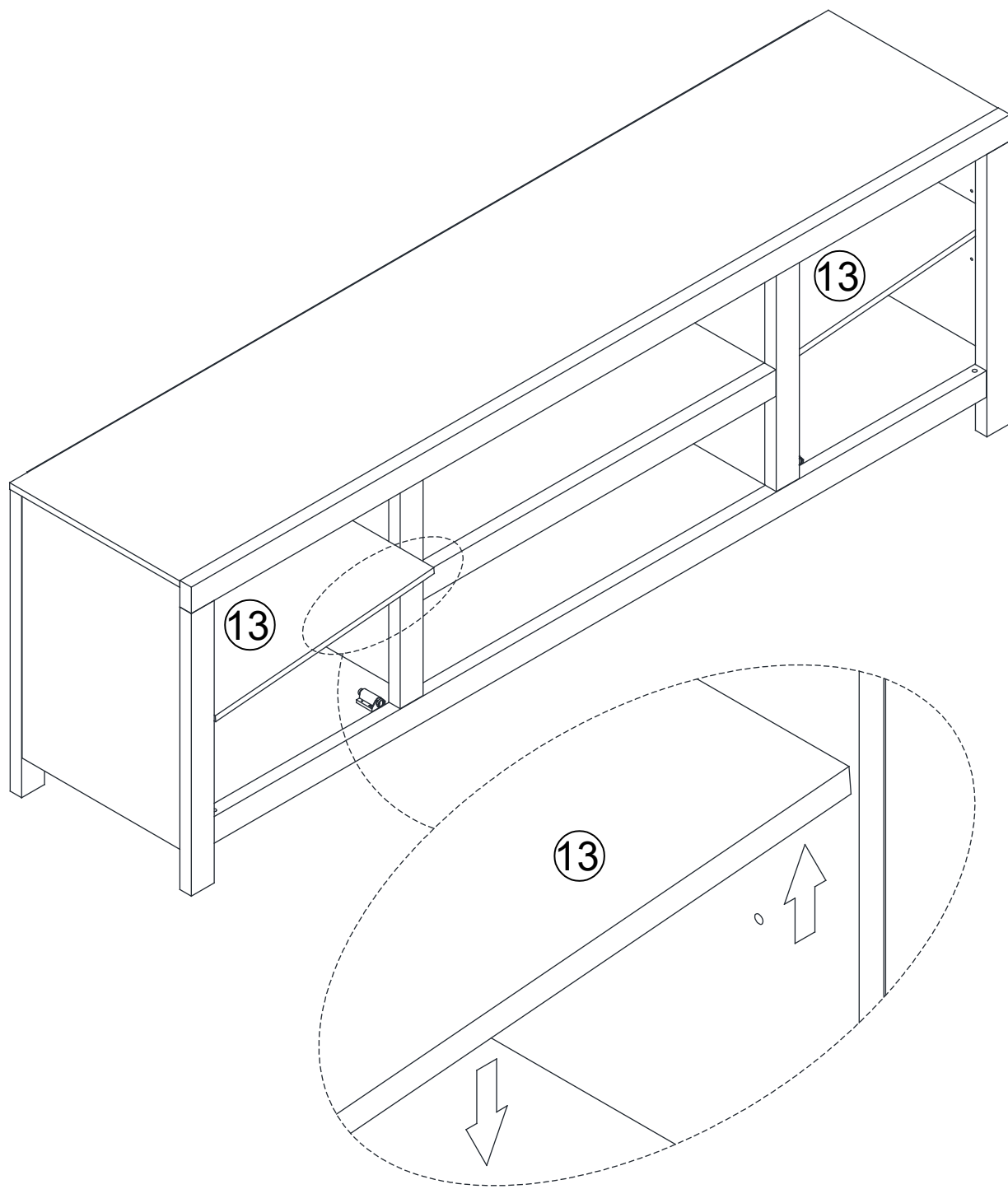


22

(F) x 8pcs

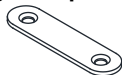


23



24

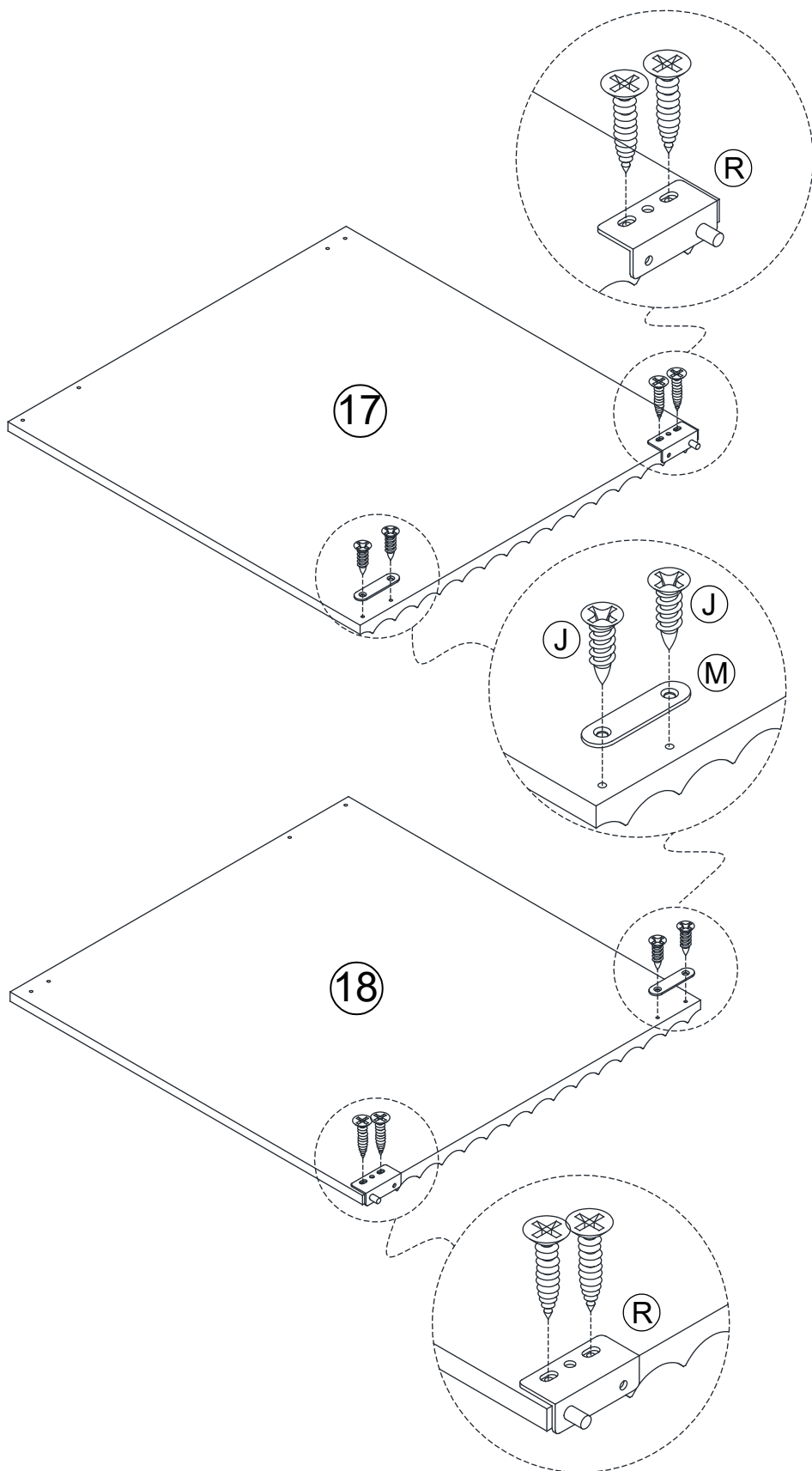
(M) x 2pcs



(J) x 4pcs

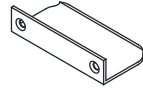


(R) x 1set

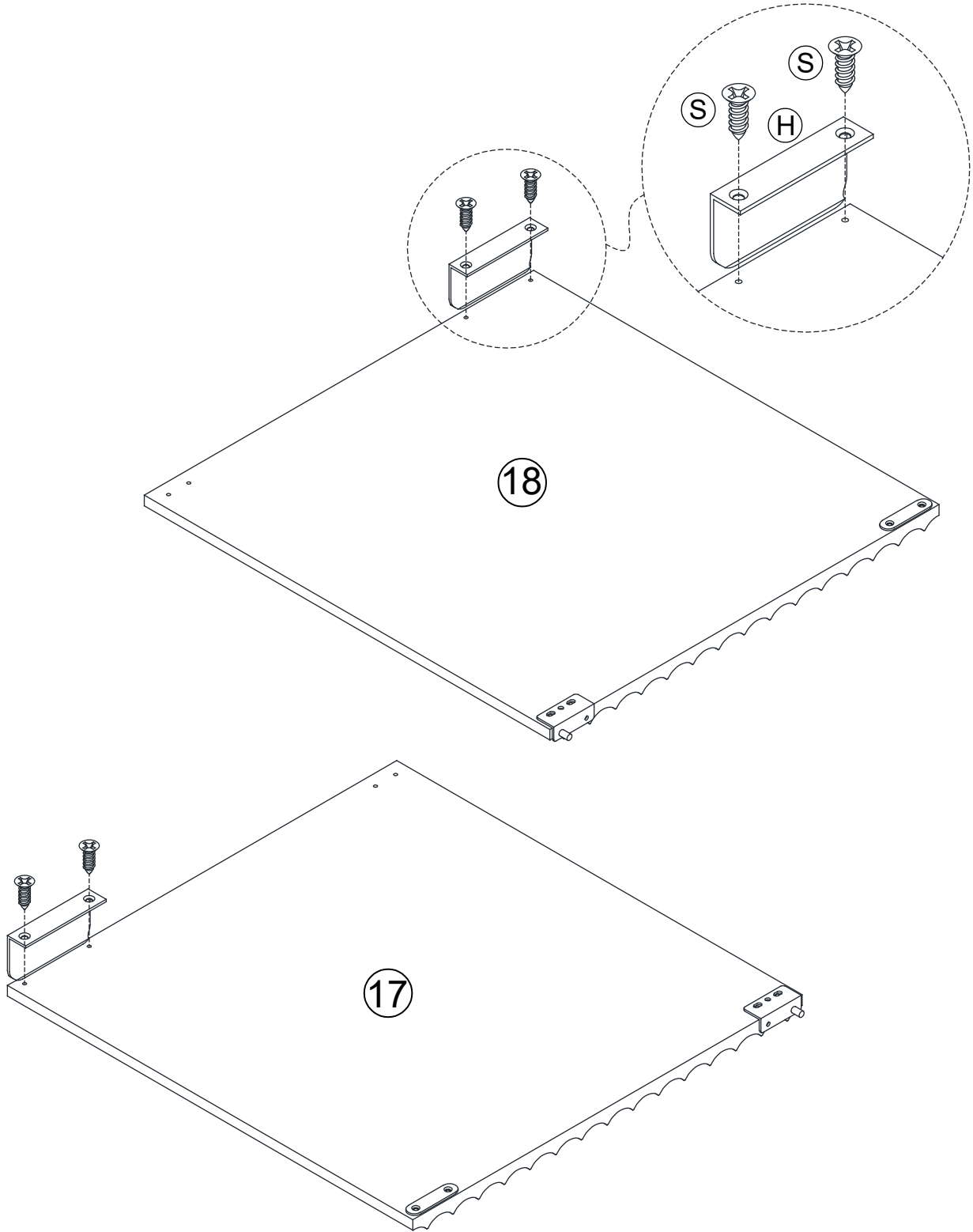


25

(H) x 2pcs

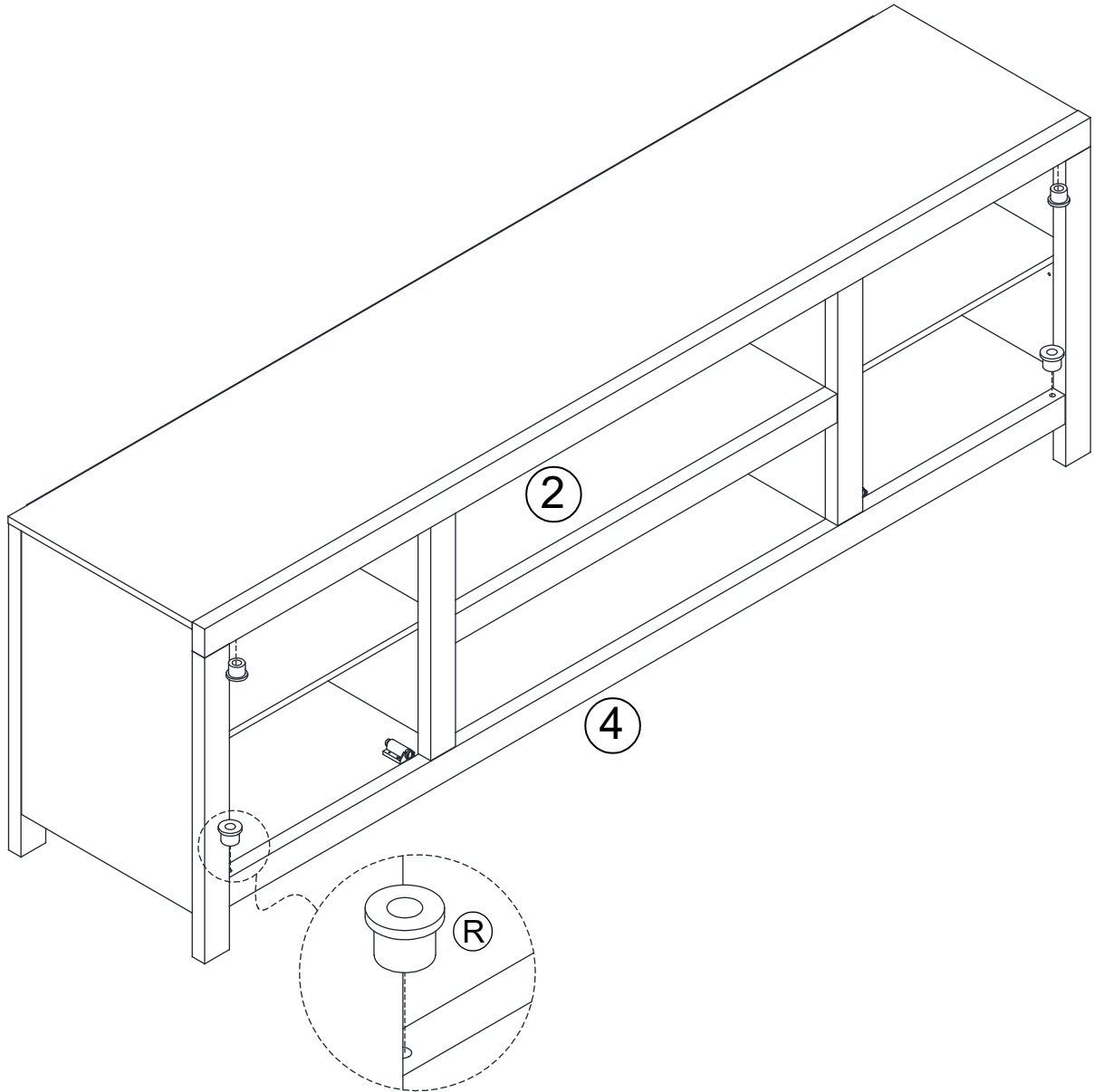


(S) x 4pcs



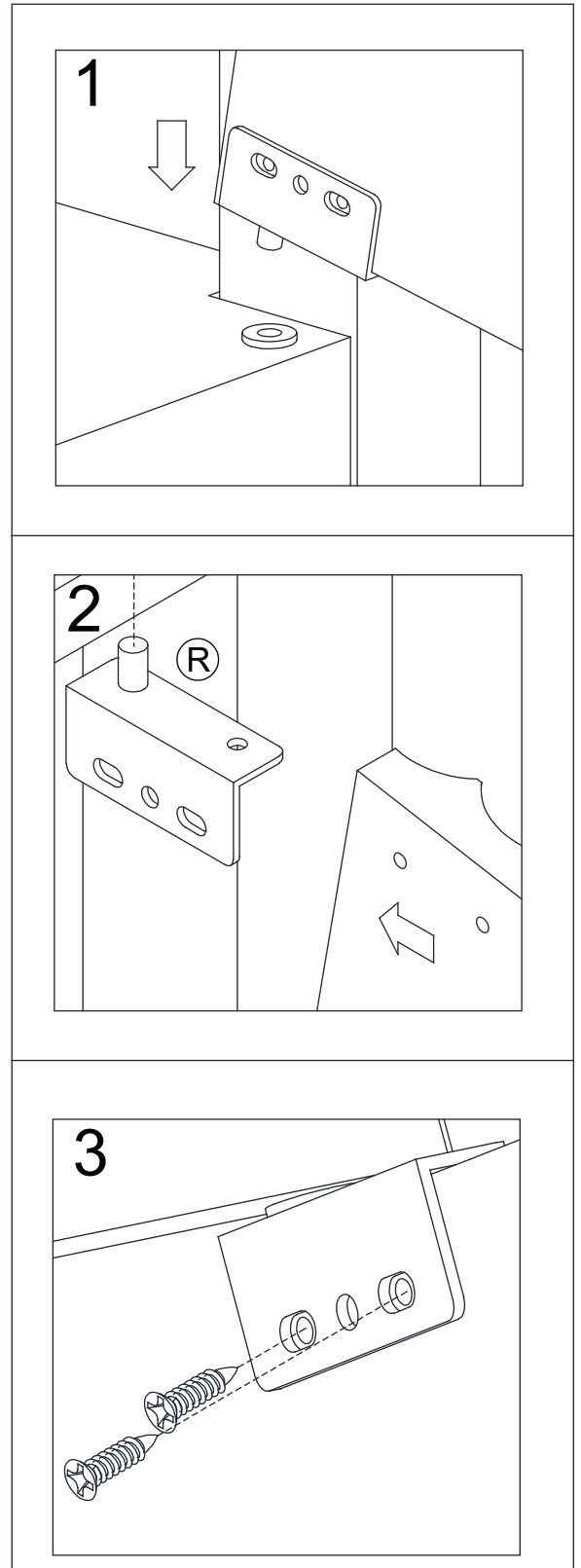
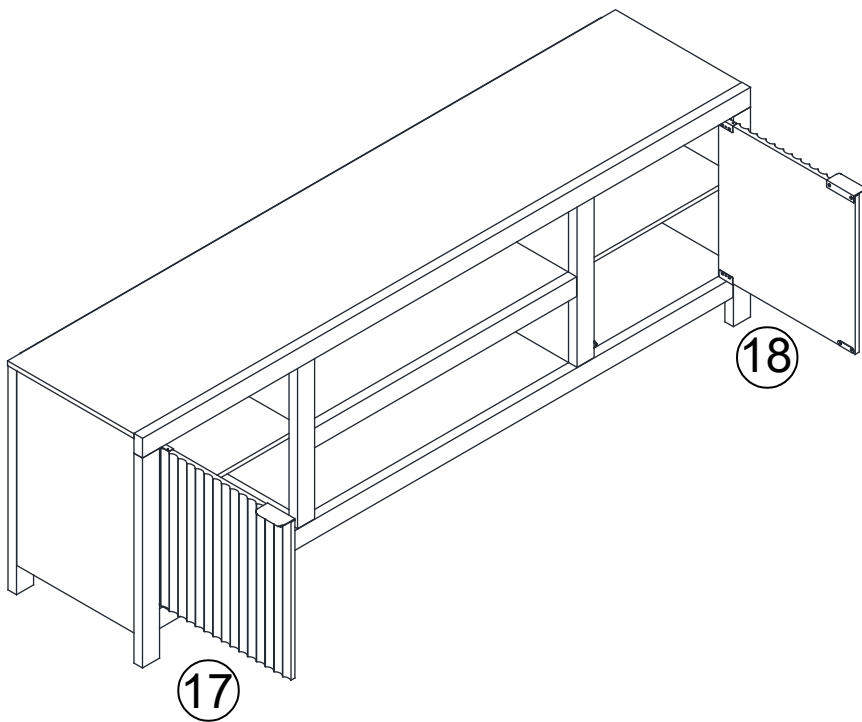
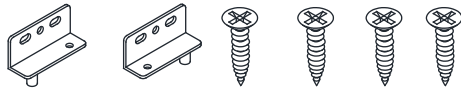
26

(R) x 4pcs



27

(R) x 1set

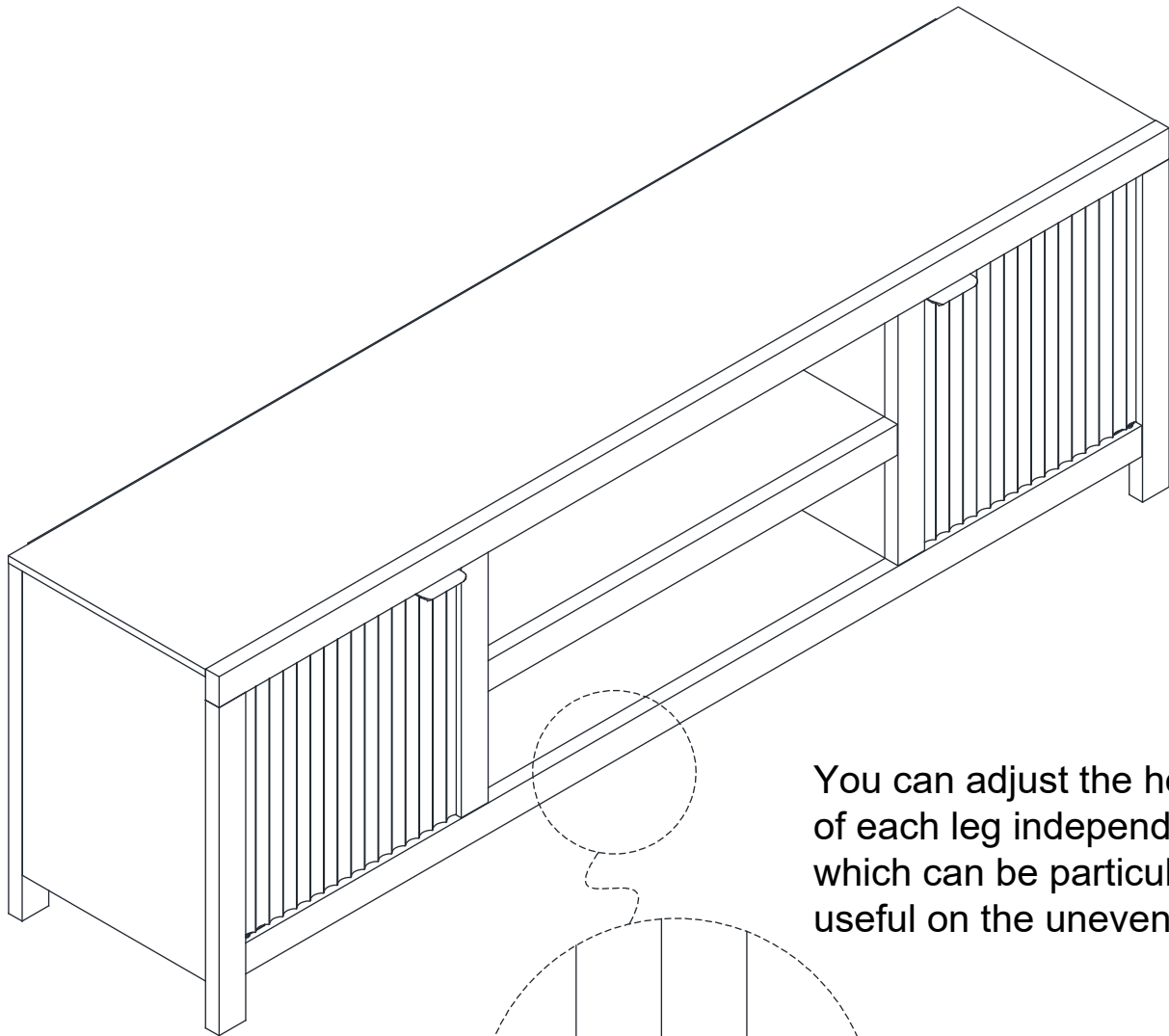


28

Ⓢ x 39pcs



Peel a CAM COVER from the CAM COVER CARD and stick one onto each visible HIDDEN CAM.



You can adjust the height of each leg independently, which can be particularly useful on the uneven floor.

