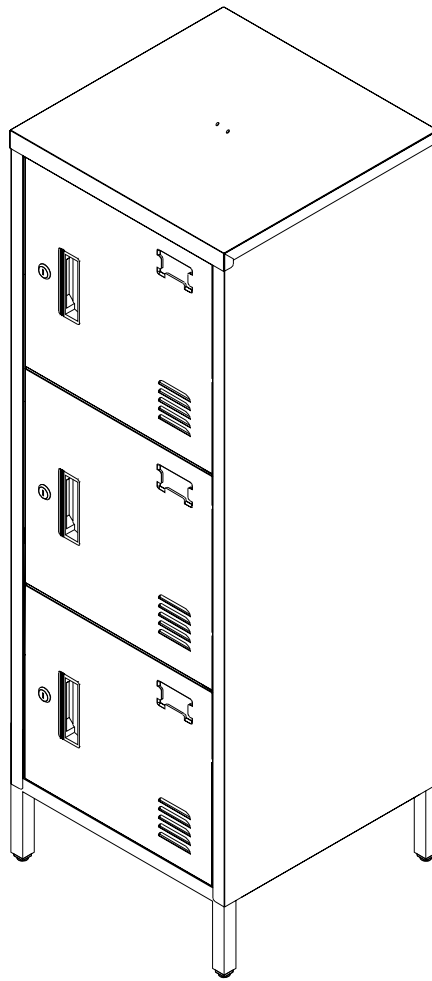
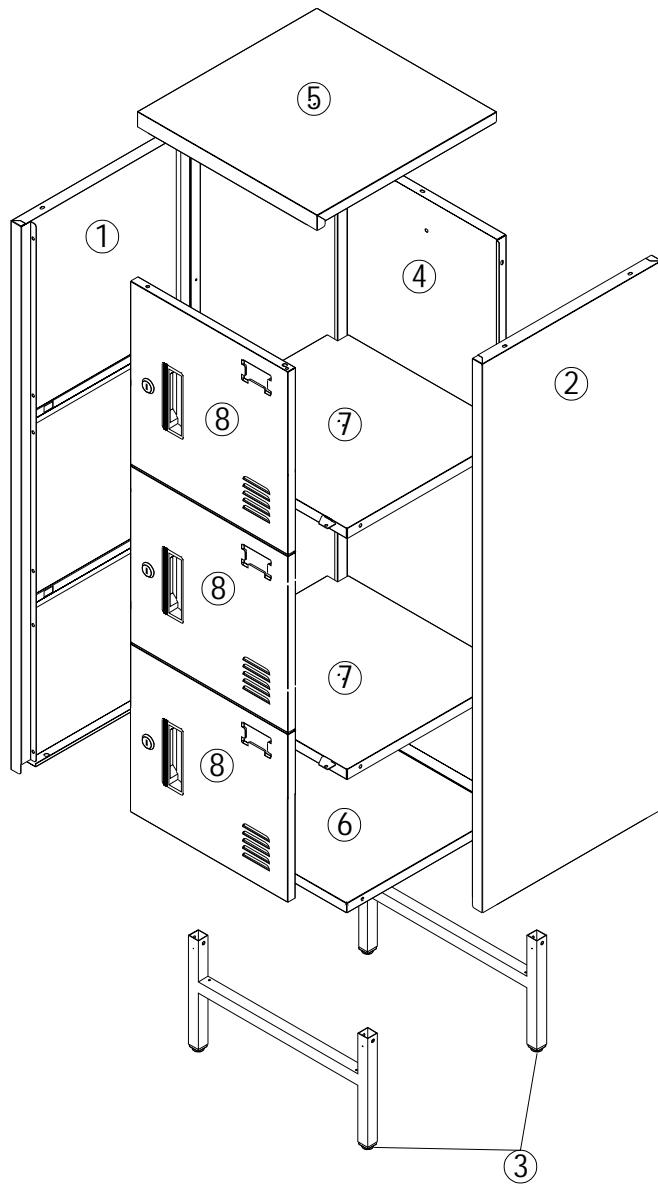
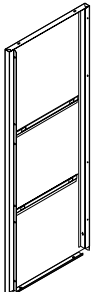
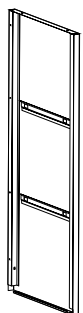
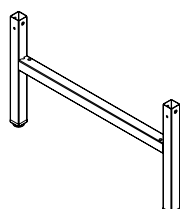
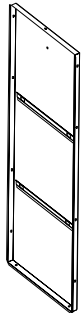
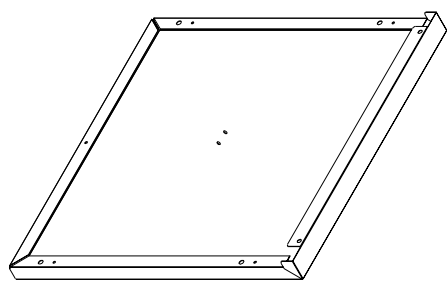
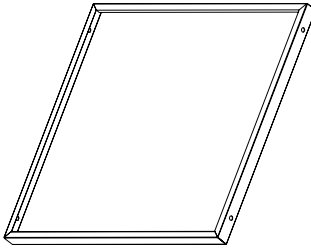


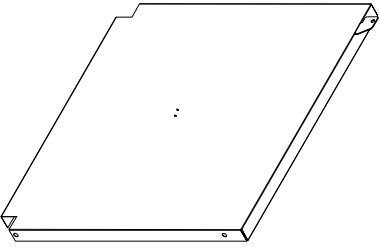
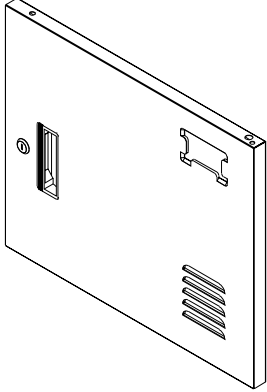
Metal Storage Locker Instructions

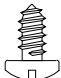


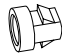



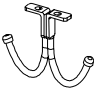

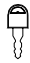




Accessories

1-Left Side Panel	1PC	2-Right Side Panel	1PC
			
3-Cross Leg	2PCS	4-Back Panel	1PC
			
5-Top Panel	1PC	6-Bottom Panel	1PC
			

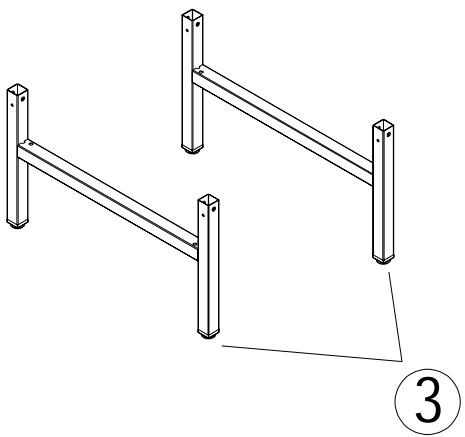
7-Shlef	2PCS	8-Door	3PCS
			

<p>A * 17</p>  <p>M5 * 10MM</p>	<p>B * 1</p> 	<p>C * 3</p> 	<p>D * 6</p> 	<p>E * 1</p>  <p>M8 M5*30MM M5</p>
<p>Spare</p>  <p>Already pre-installed</p>	<p>Foot*4</p>  <p>Already pre-installed on the cross legs 3</p>	<p>F * 3</p> 	<p>G * 6</p>  <p>M5</p>	<p>Key*3</p>  <p>Already attached on the doors 8</p>

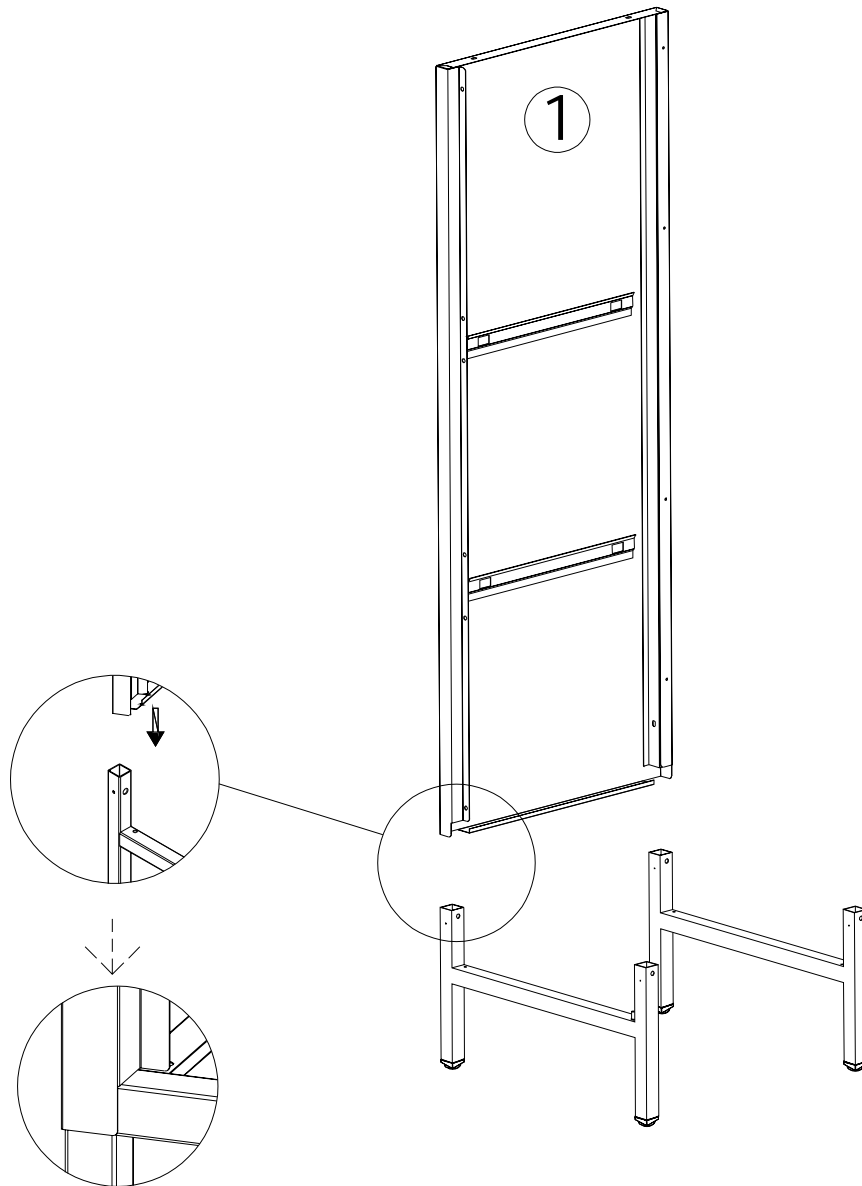
Each lock has been pre-installed on each door, and the corresponding two keys are attached on each door.
 The keys to each door are not universal. Please remove the keys from the doors, label and store them properly before assembling.

 <p>CAUTION</p> <p>An assistant is required</p>	<p>CUSTOMER FIRST, SERVICE FOREMOST!</p> <p>Questions? Issues?</p> <p>CONTACT US</p> <p>REPLY WITHIN 24 HOURS IN BUSINESS DAYS</p>
---	--

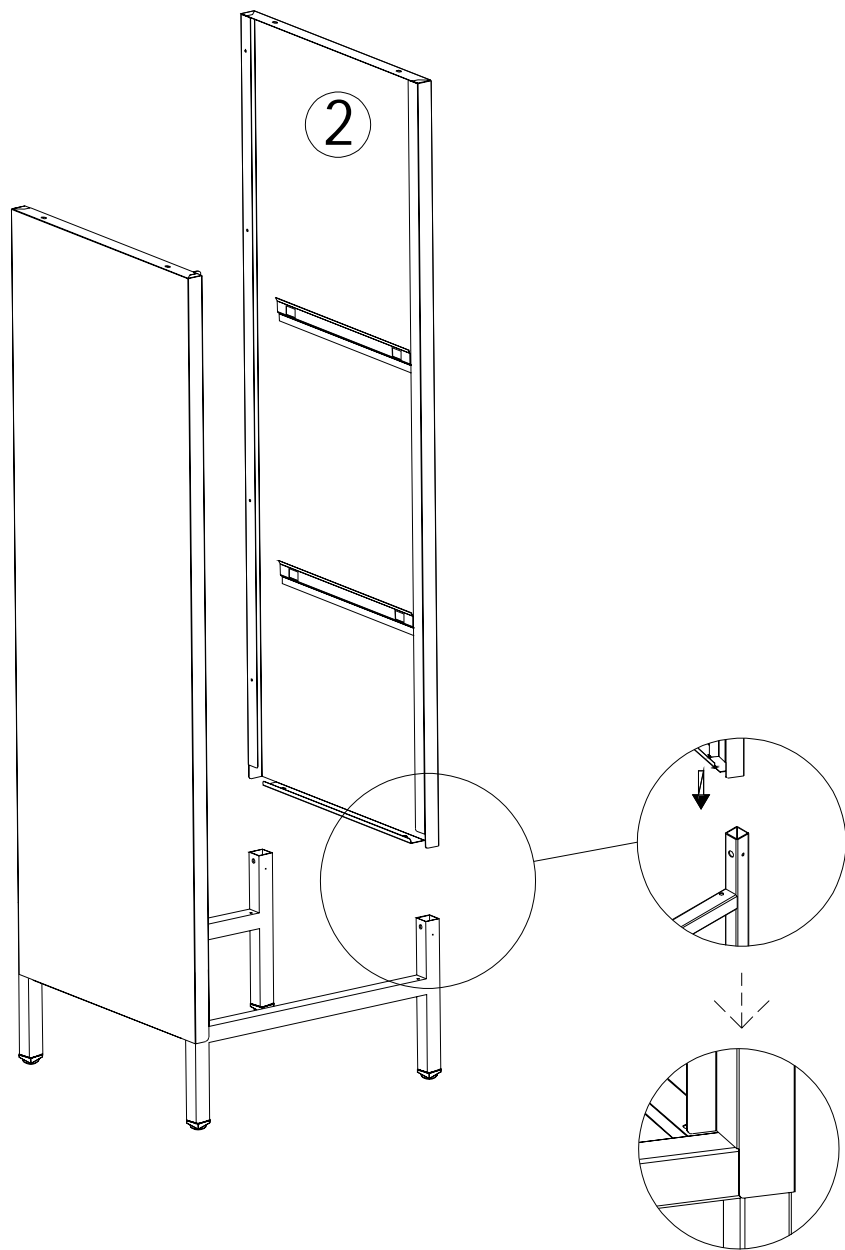
Step 1: Put two cross legs 3
on a flat surface



Step 2: Insert cross legs 3 into the holes at the bottom of left side panel 1



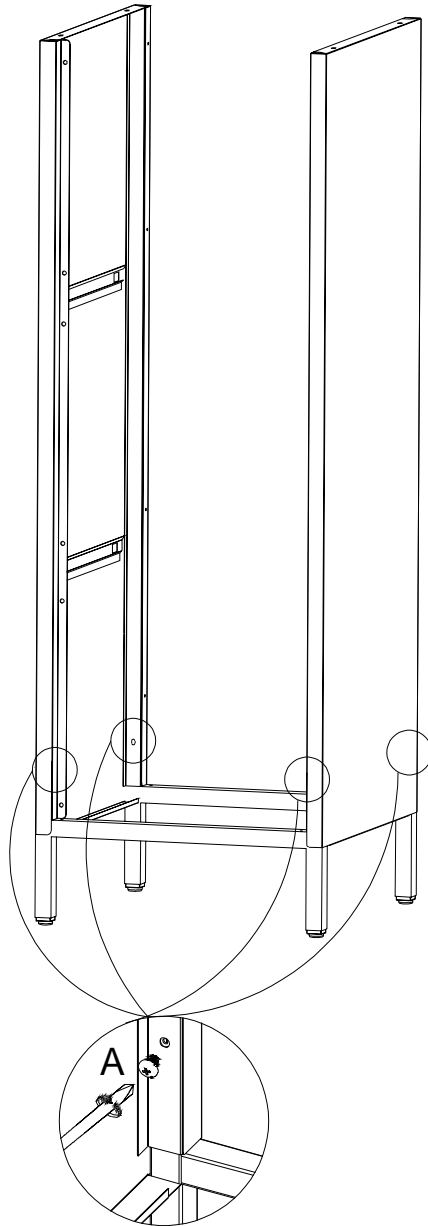
Step 3: Insert cross legs 3 into the holes at the bottom of right side panel 2



A*4

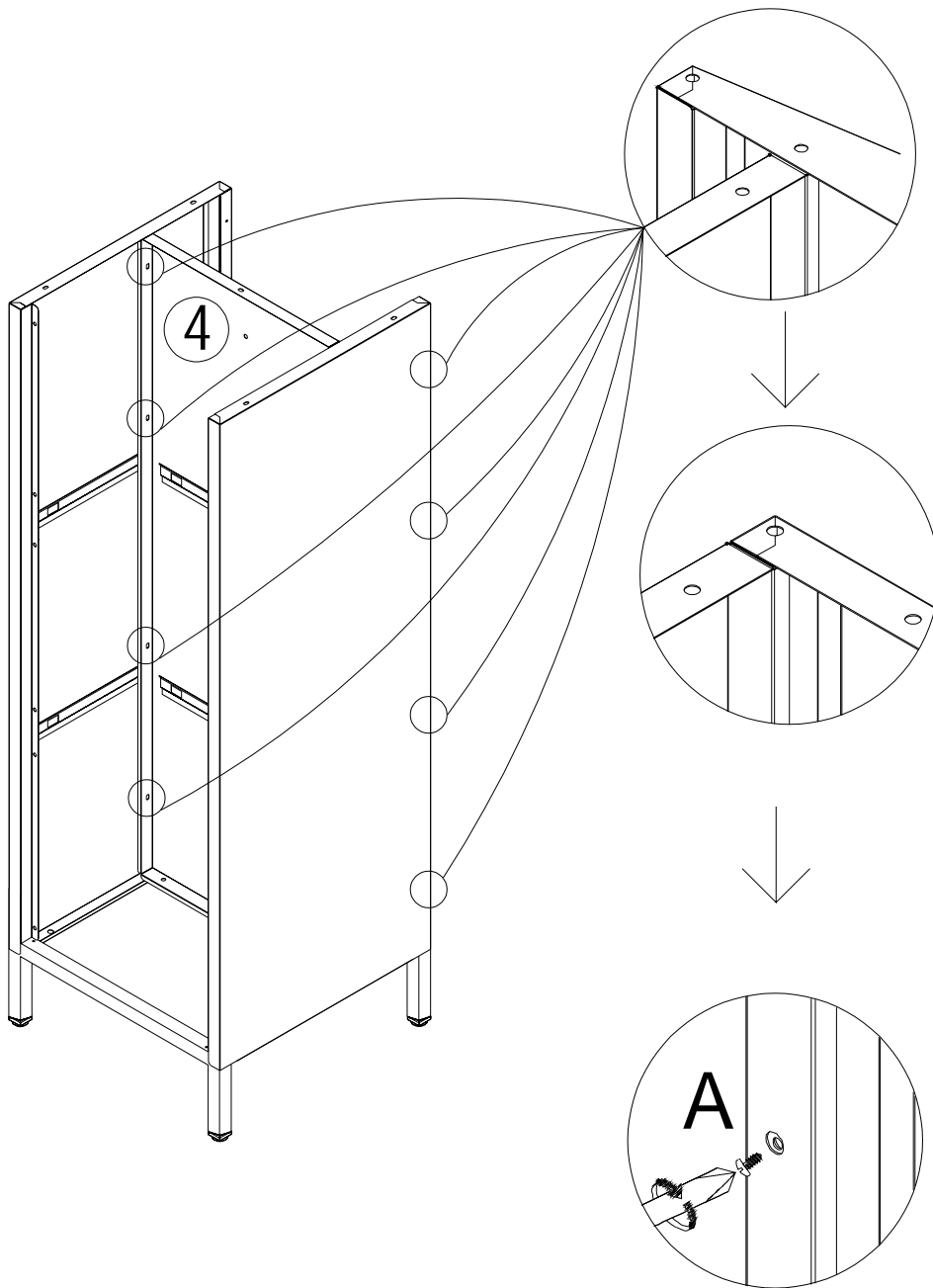


Step 4: Fix side panels and cross legs with 4 screws A

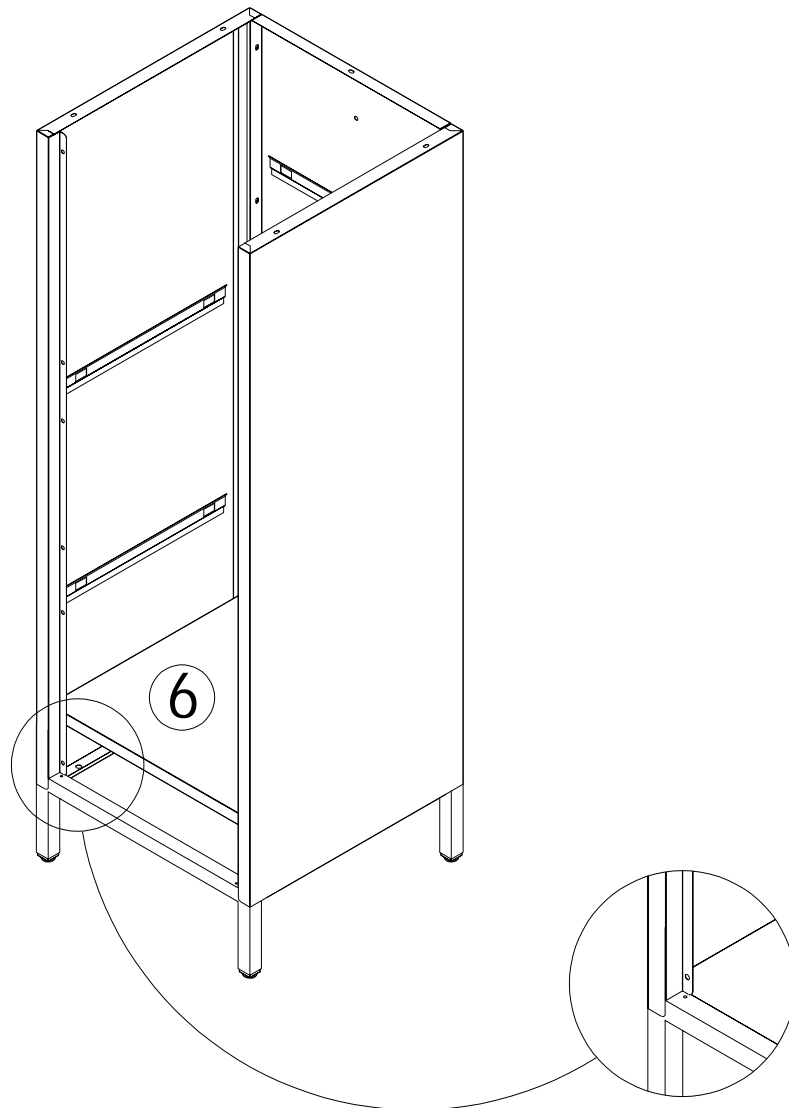


A*8

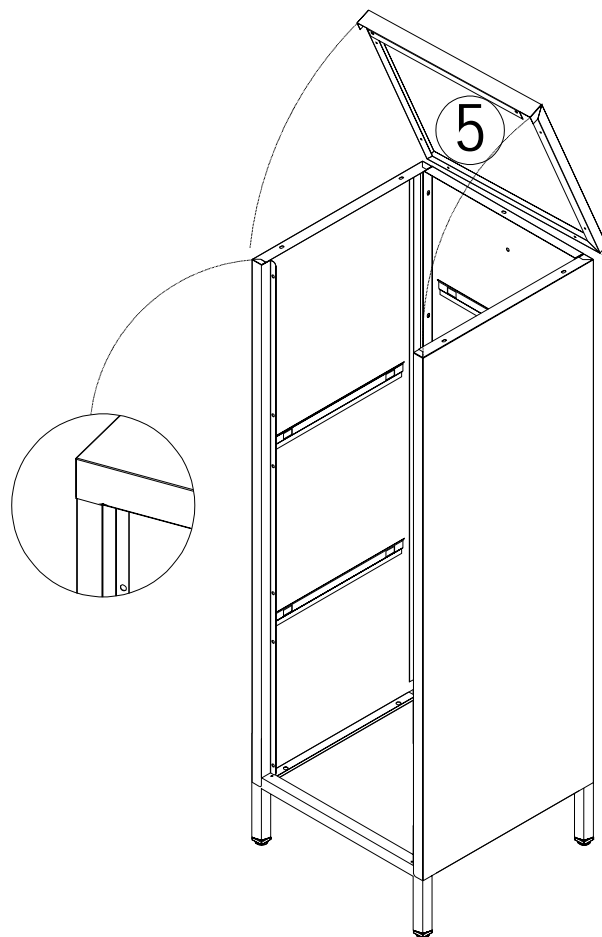
Step 5: Install the back panel 4 on the cross leg and fix it with side panels by 8 screws A



Step 6: Tilt the bottom panel 6 into the cabinet and put it on the side panels 1 and 2



Step 7: Place top panel 5 on the top

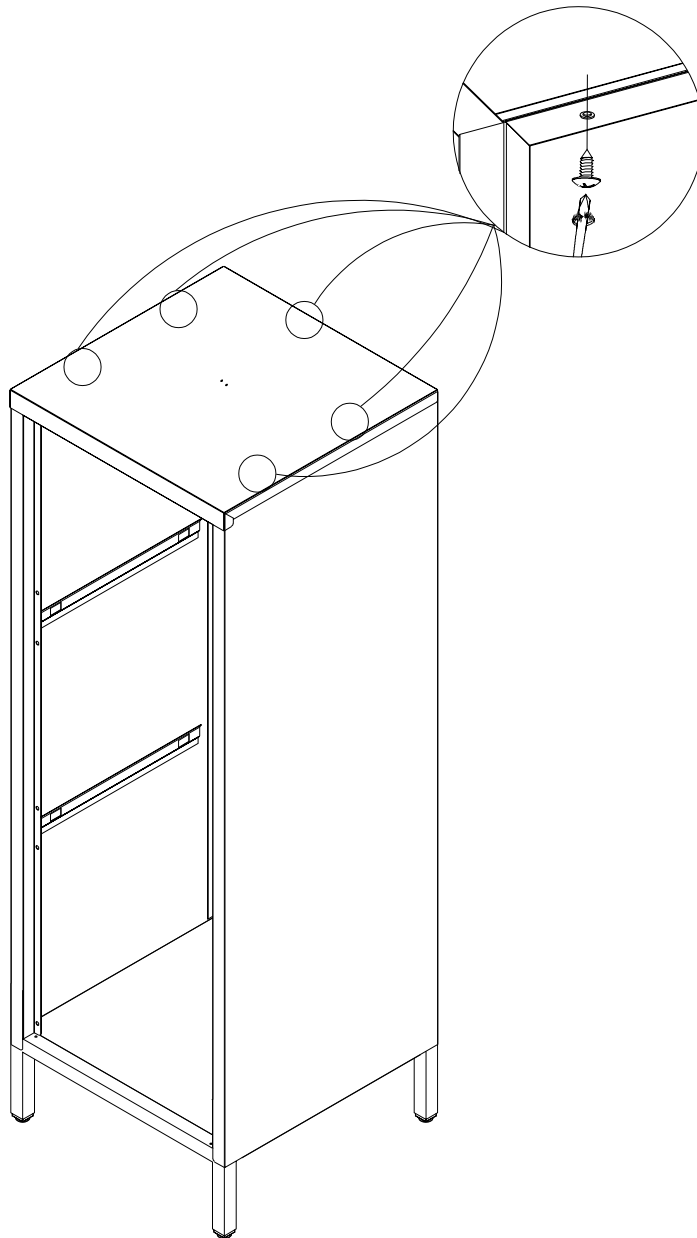





After the screws are tightened in the subsequent step, the top panel will be properly aligned

A*5



Step 8: Fix top panel 5 on other parts with 5 screws A

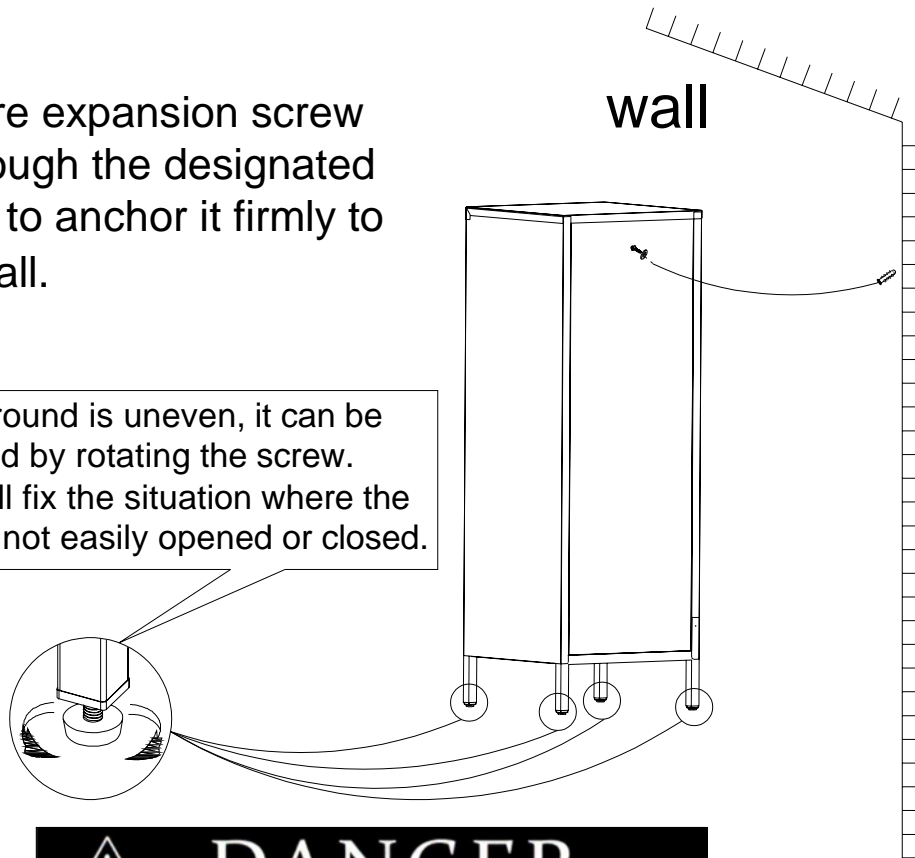


E*1		
 M8	 M5*30MM	 M5

Step 9: Fix the locker on the wall with 1 expansion screw E to prevent tipping

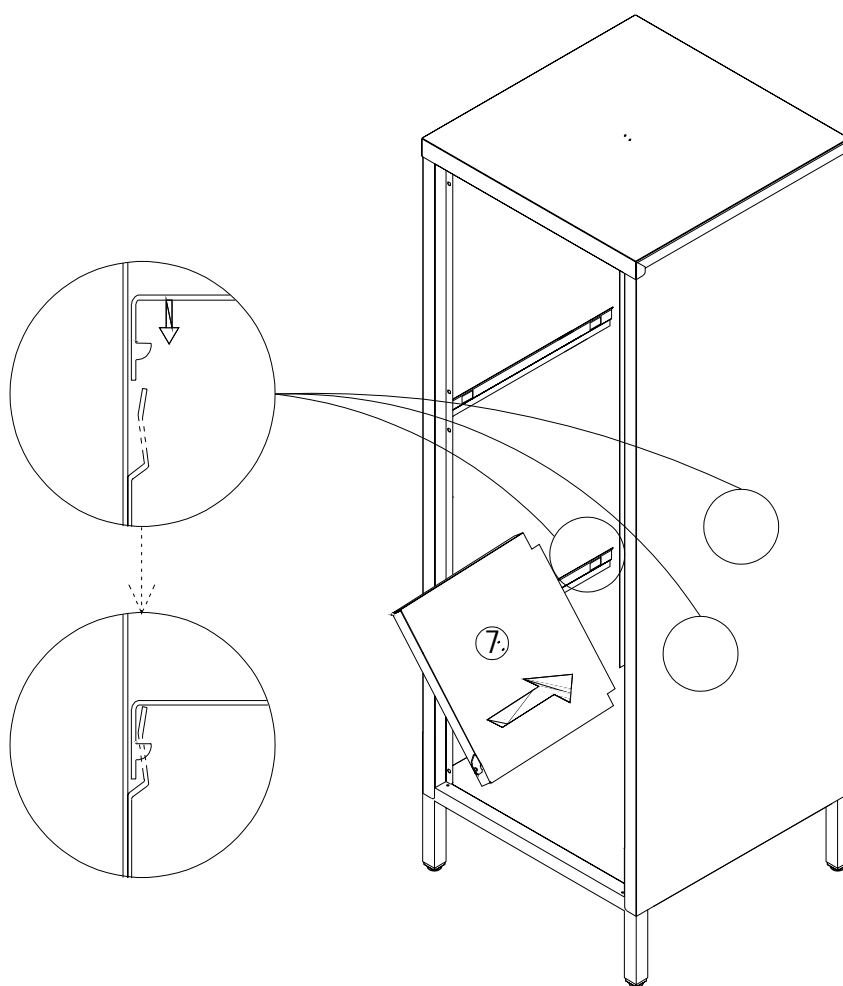
Secure expansion screw E through the designated holes to anchor it firmly to the wall.

If the ground is uneven, it can be adjusted by rotating the screw. This will fix the situation where the door is not easily opened or closed.



 DANGER	
	
<p>Always secure this furniture with an anchor device. Unsecured furniture can cause serious injury or death to children. Never allow children to stand, climb or hang on drawers, doors or shelves. Never open more than one drawer or door at a time. Place the heavy items on the lower position. Never place a television on this furniture. This is a permanent label. Do not remove!</p>	

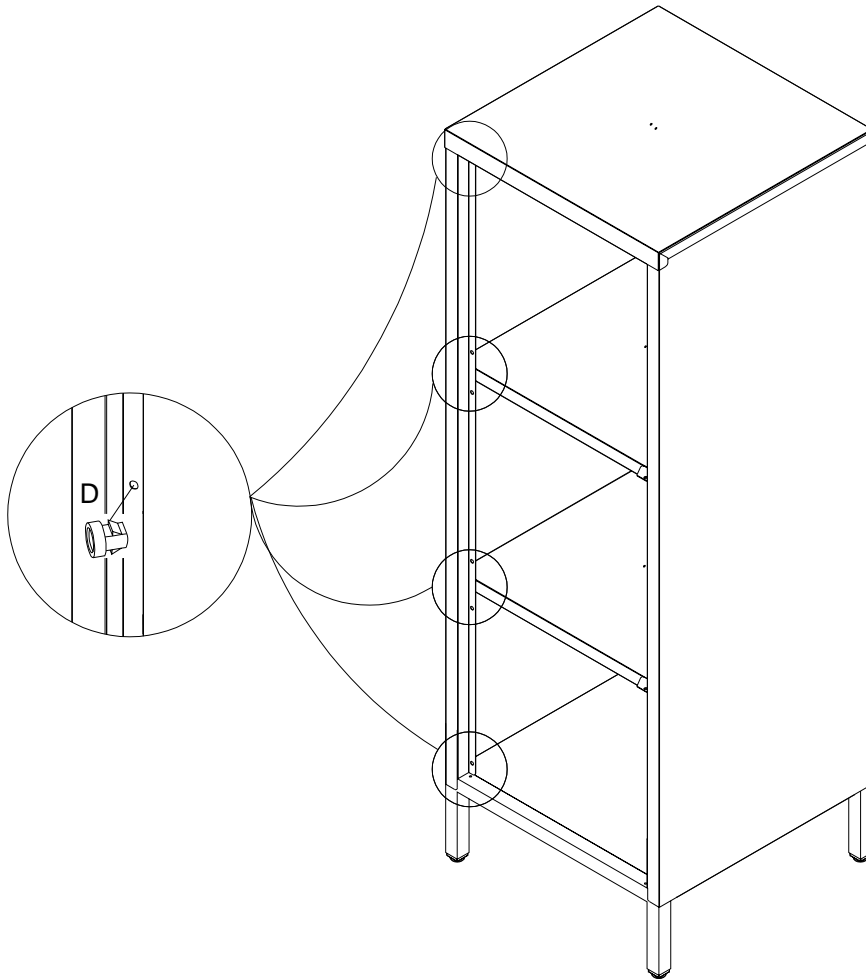
**Step 10: Install all the shelves 7
on the side panels 1 and 2**


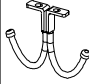


D * 6

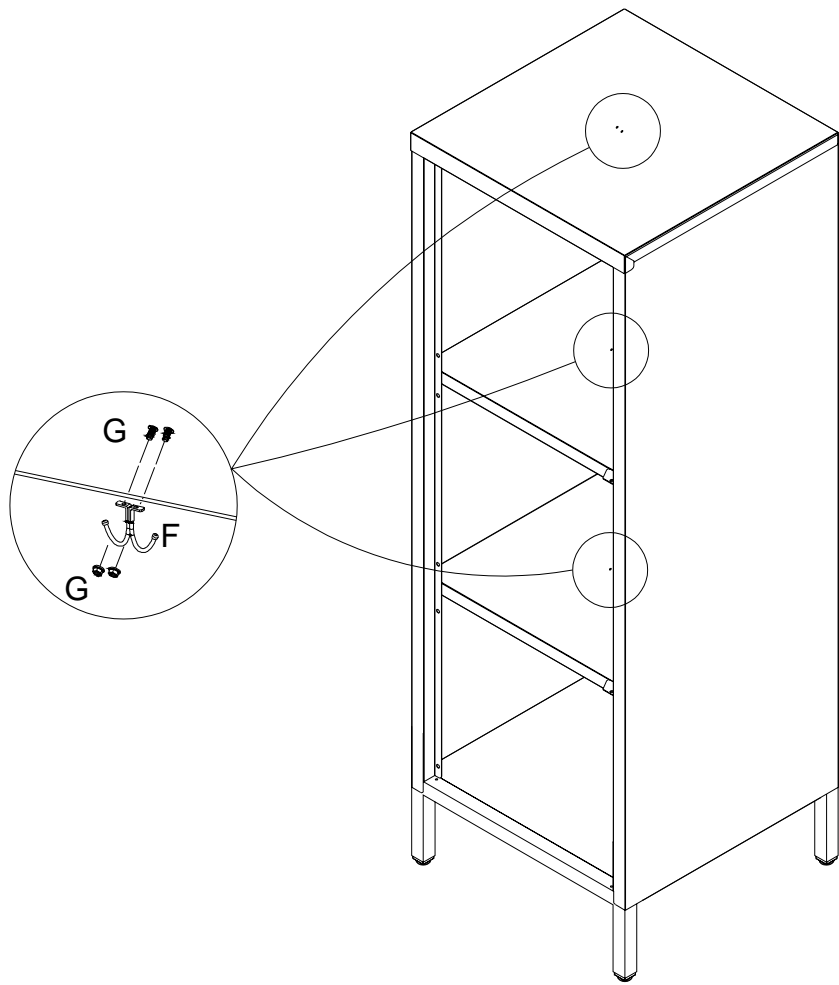


Step 11: Install 6 part D
on the side panel 1

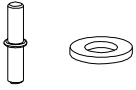


G*6	F*3
	

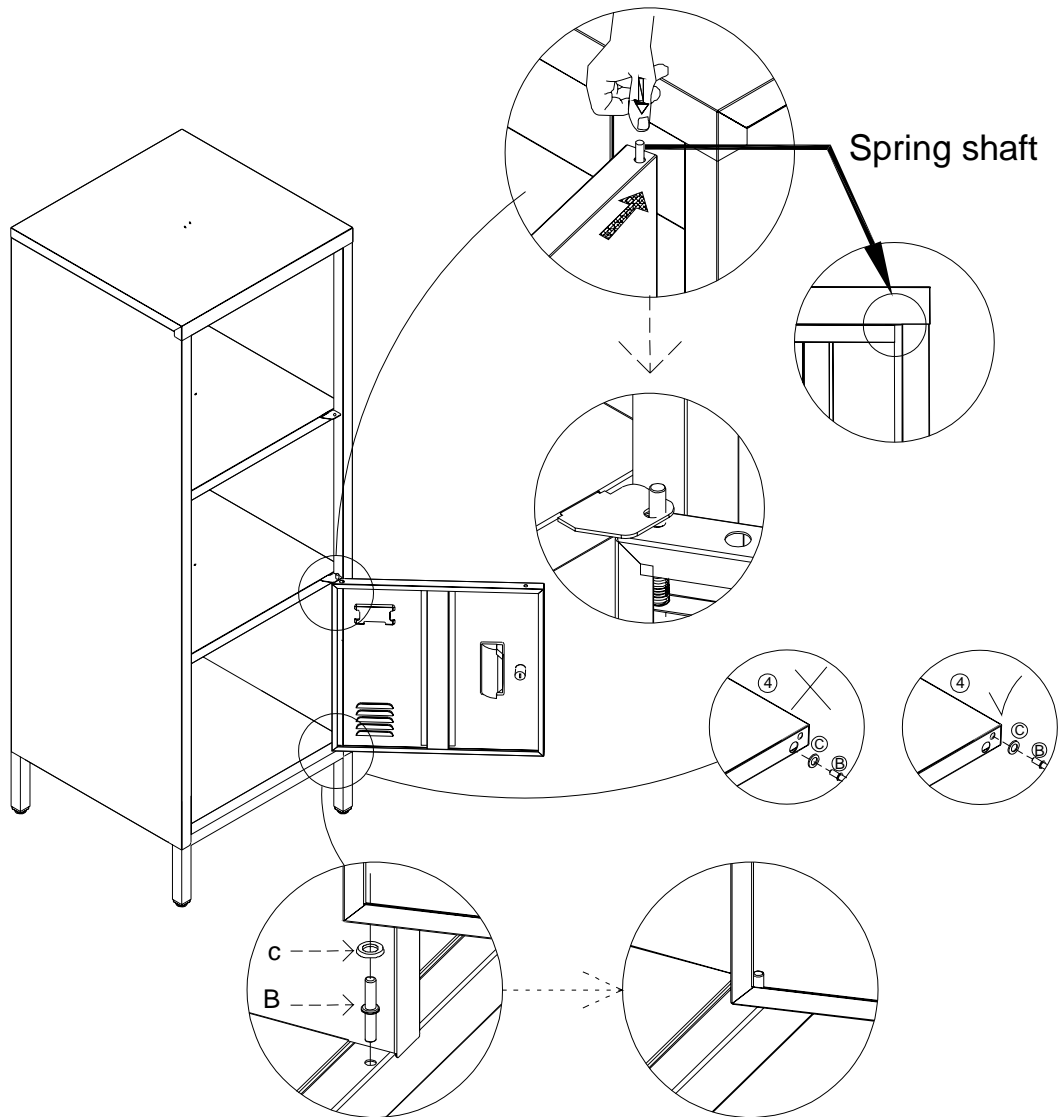
Step 12: Install 3 hooks F on the top panel 5 and shelves 7 with 6 Part G



B * 1 C * 3



Step 13: Insert the door pivot B into the hole of the bottom corner (shim C can be used to adjust), then insert the door 8 into the door pivot on the bottom and adjust the spring shaft on the top



There are two holes here, and B should be inserted into the smaller hole. Part B is only needed for 1 bottom door. The other 2 spring shafts can replace Part B.

