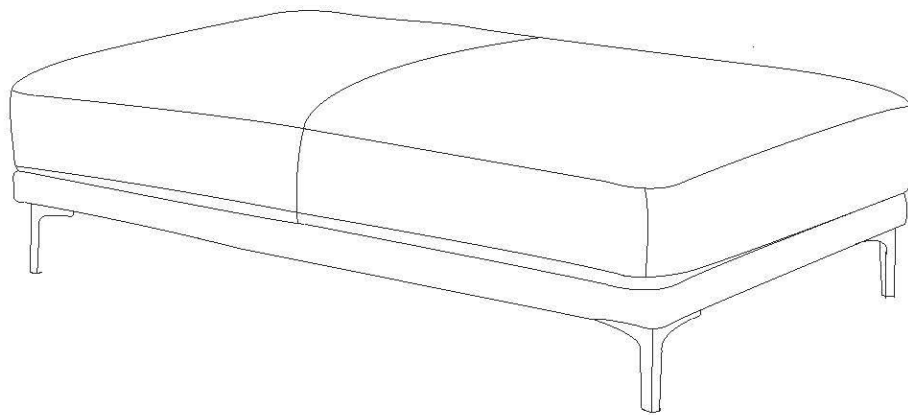


Assembly Instructions



x4

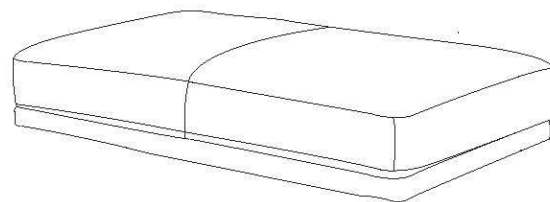
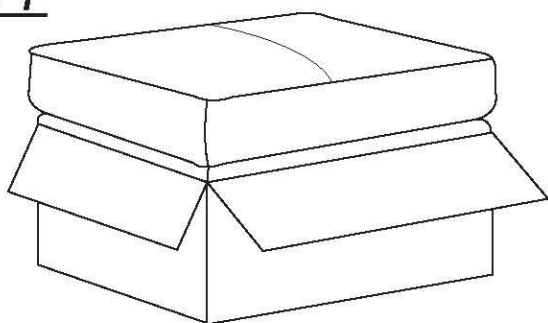


x8

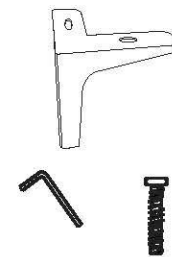
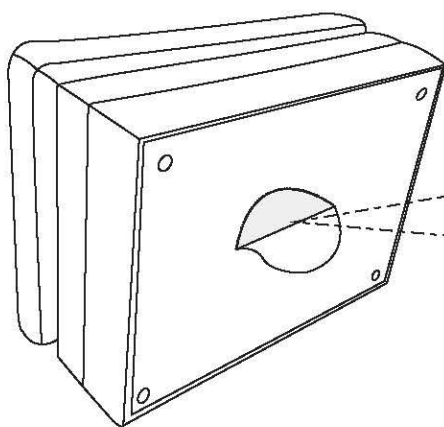


x1

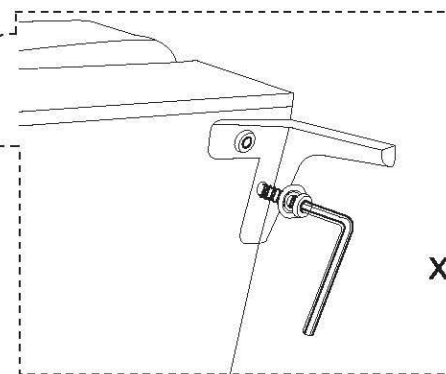
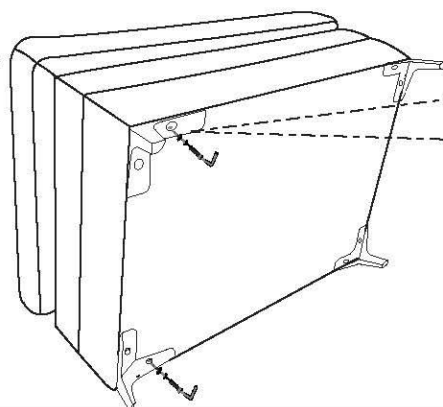
Step 1



Step 2



Step 3



x4