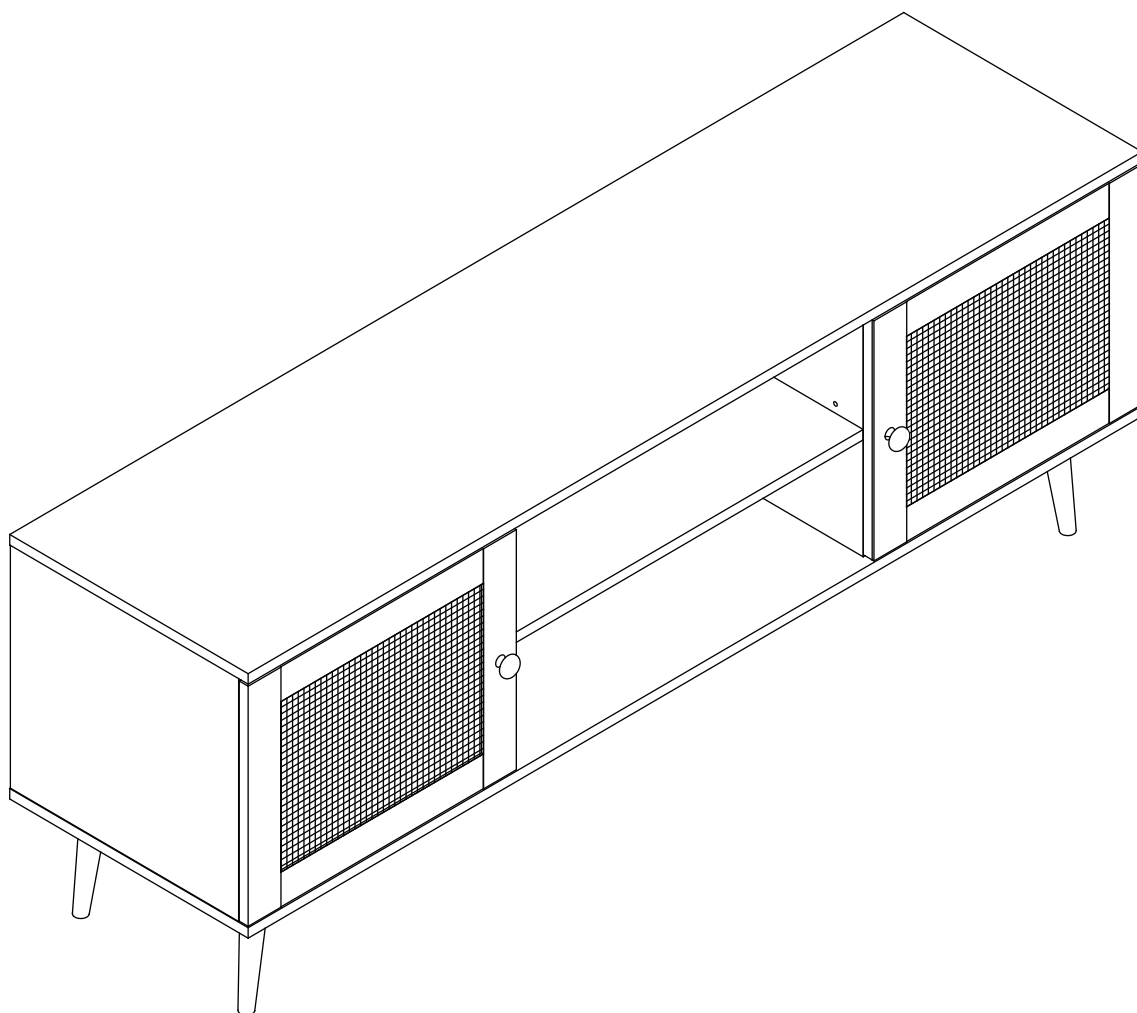


STORAGE CABINET

User Manual



Made in China

For a Hassle-Free installation

1. Ensure you have received all cartons and familiarize yourself with the workload. Make sure there are enough helping hands to assist you, and that you have allocated the time required to assemble your new product.
2. Make sure you have cleared enough space in your home for the assembly. We recommend protecting your floor with a mat or cardboard to avoid scratches during the assembly process.
3. Read instructions carefully and check no parts are missing.
4. Lay out all hardware on a soft surface so you can easily identify them.
5. Carefully identify all components according to the labeled alphabet to ensure that the parts are in the correct place.
6. Install your new product carefully following the instructions. Don't skip ahead!

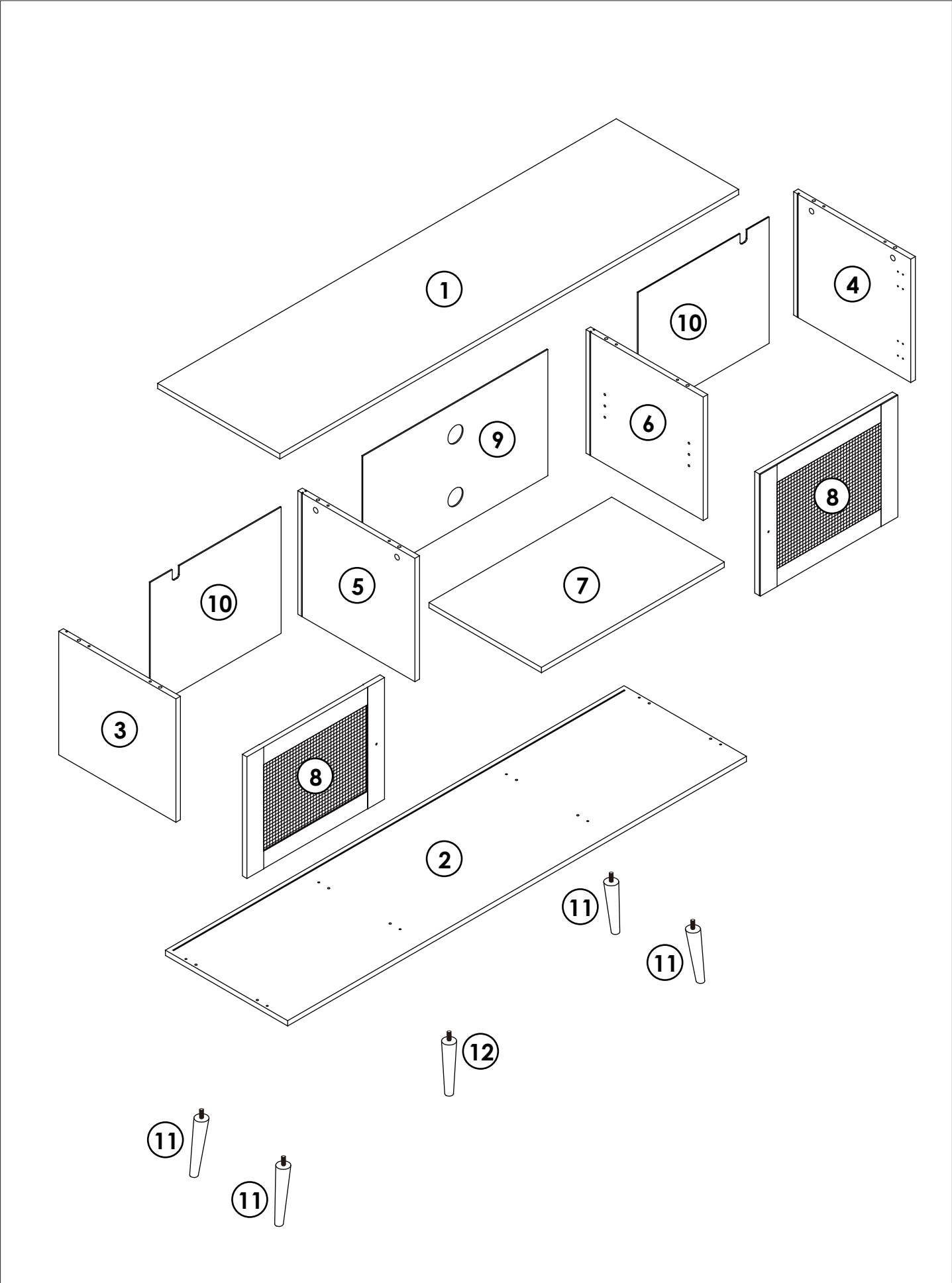
* If any parts are missing or damaged, we will gladly ship you replacement parts free of charge. Please contact us order ID and the Store Name of your purchase, we're always here to help :)

WARNING

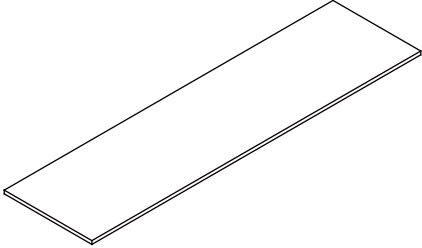
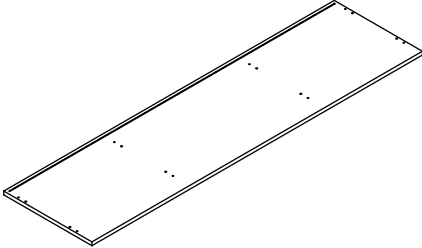
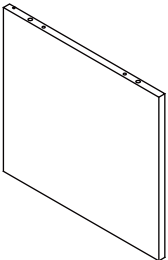
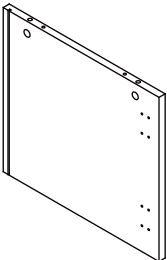
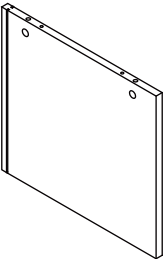
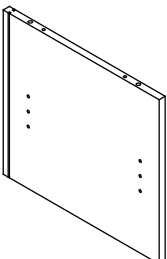
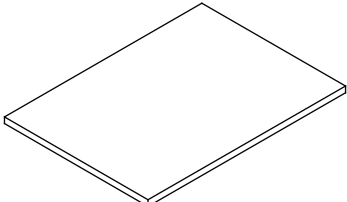
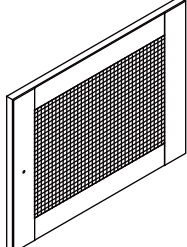
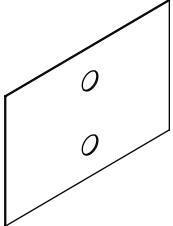
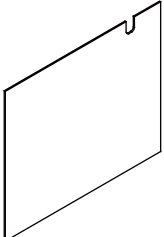


Serious or fatal injury may occur from unexpected assembly or use.

1. During the assembly process, keep all parts away from babies or children.
2. Always securely fix this product to the wall. Make sure the wall area to be drilled is free from hidden electrical wires, water and gas pipes.
3. Use of tip-over restraints may only reduce, but not eliminate the risk of tip-over.
4. Unless specially designed to accommodate, do not set heavy objects on top of this product.
5. Place the heaviest items on the lowest shelf.
6. Never allow children to climb or bang on drawers, doors or shelves.

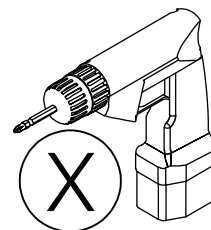
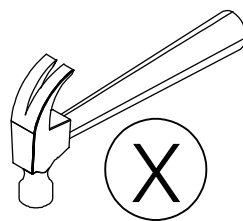
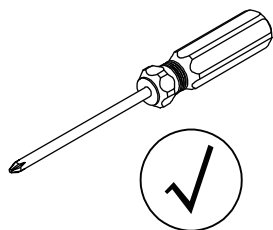
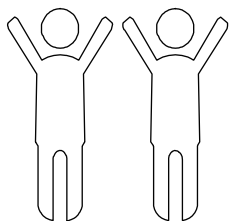
PANEL LAYOUT

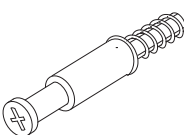

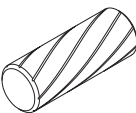
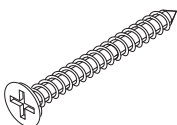
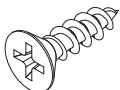
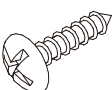
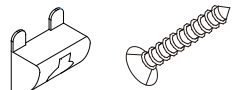
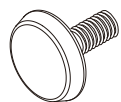
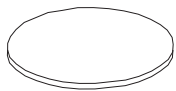
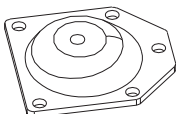

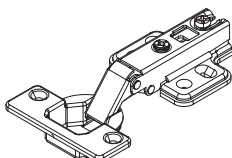
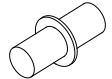
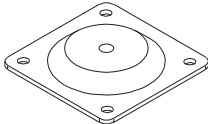
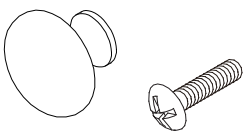


PARTS LIST

<p>1</p>  <p>1350*400*15mm</p> <p>1 pc</p>	<p>2</p>  <p>1350*400*15mm</p> <p>1 pc</p>
<p>3</p>  <p>350*383*15mm</p> <p>1 pc</p>	<p>4</p>  <p>350*350*15mm</p> <p>1 pc</p>
<p>5</p>  <p>350*383*15mm</p> <p>1 pc</p>	<p>6</p>  <p>350*383*15mm</p> <p>1 pc</p>
<p>7</p>  <p>448*365*12mm</p> <p>1 pc</p>	<p>8</p>  <p>447*345*15mm</p> <p>2 pcs</p>
<p>9</p>  <p>460*360*3mm</p> <p>1 pc</p>	<p>10</p>  <p>426*358*3mm</p> <p>2 pcs</p>
<p>11</p>  <p>150mm</p> <p>4 pcs</p>	<p>12</p>  <p>134mm</p> <p>1 pc</p>

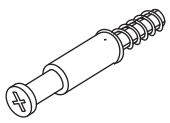
HARDWARE LIST



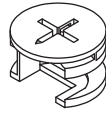
<p>A</p>  <p>Ø6*35mm 8 pcs</p>	<p>B</p>  <p>Ø15*10mm 8 pcs</p>	<p>C</p>  <p>Ø6*30mm 16 pcs</p>	<p>D</p>  <p>Ø4*40mm 10 pcs</p>
<p>E</p>  <p>Ø4*14mm 24 pcs</p>	<p>F</p>  <p>Ø4*14mm 24 pcs</p>	<p>G</p>  <p>Ø3*16mm 12 pcs</p>	<p>H</p>  <p>Ø25mm 1 pc</p>
<p>I</p>  <p>Ø20*2mm 4 pcs</p>	<p>J</p>  <p>70*68*15mm 4 pcs</p>	<p>K</p>  <p>K1 + K2 + K3</p> <p>73*25mm 30*8mm Ø4*14mm 2 pcs</p>	
<p>L</p>  <p>110*62*25mm 4 pcs</p>	<p>M</p>  <p>Ø5*15mm 4 pcs</p>	<p>N</p>  <p>60*60*10mm 1 pc</p>	<p>O</p>  <p>Ø4*18mm 2 pcs</p>

ASSEMBLY STEPS

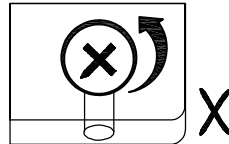
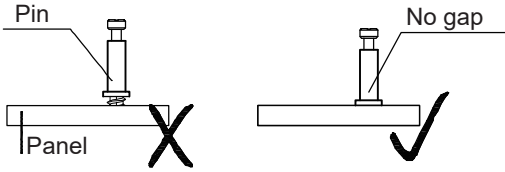
CAM BOLT INSTALLATION AS BELOW:



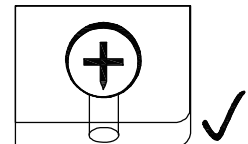
Cam bolt



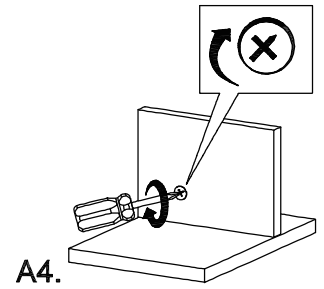
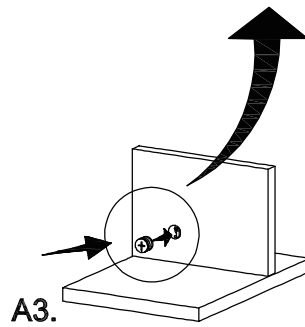
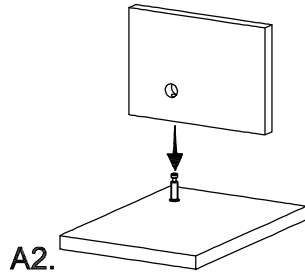
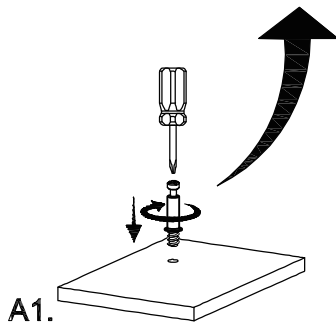
Connecting piece



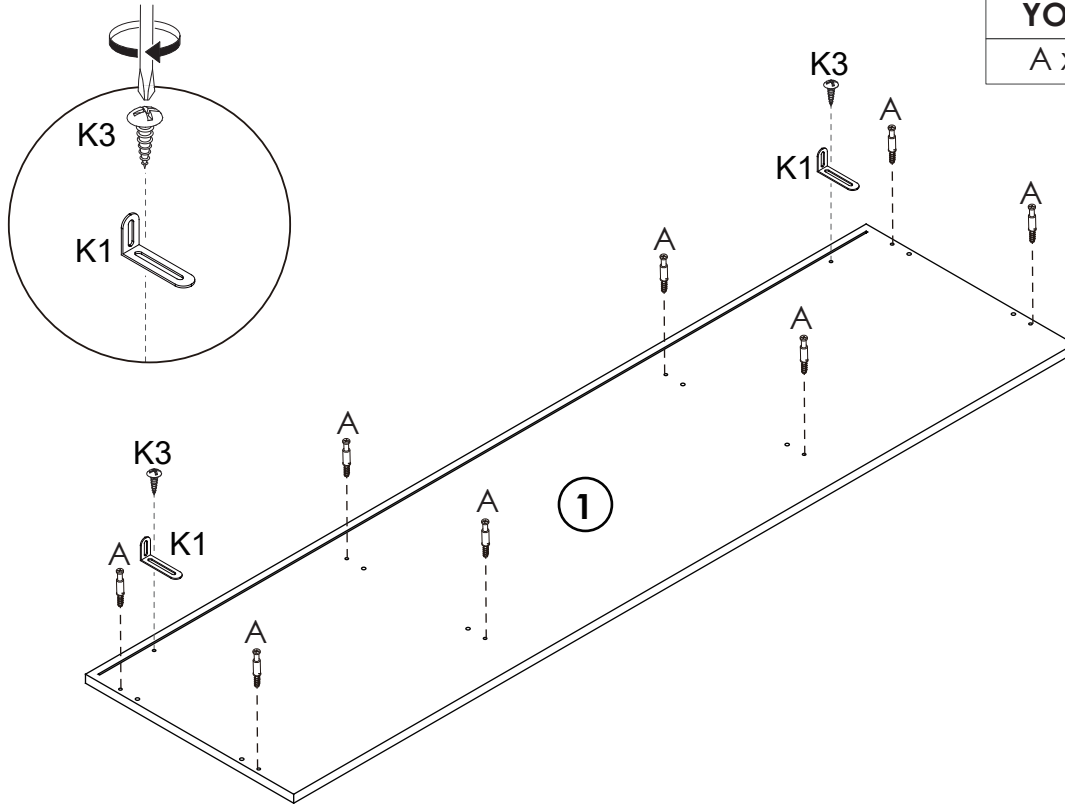
Rotate connecting piece if found in the position illustrated above.



Correct orientation to receive bolts.



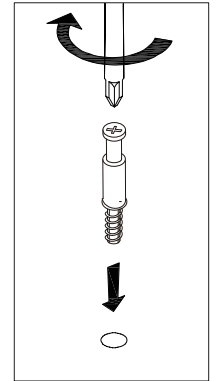
1



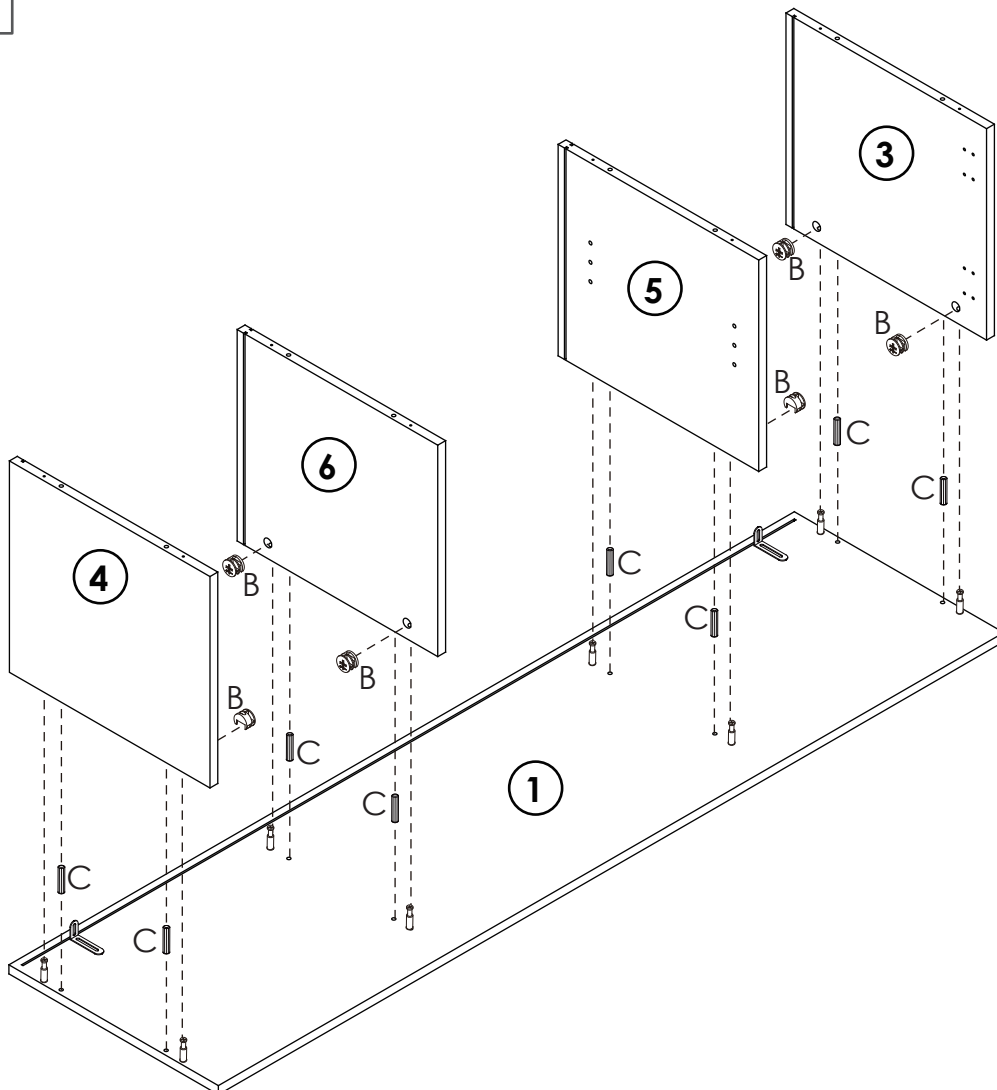
YOU WILL NEED

A x8

K x2



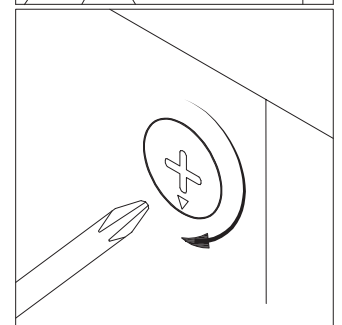
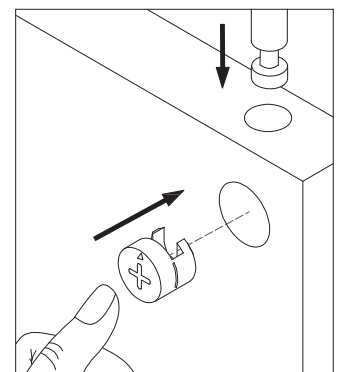
2



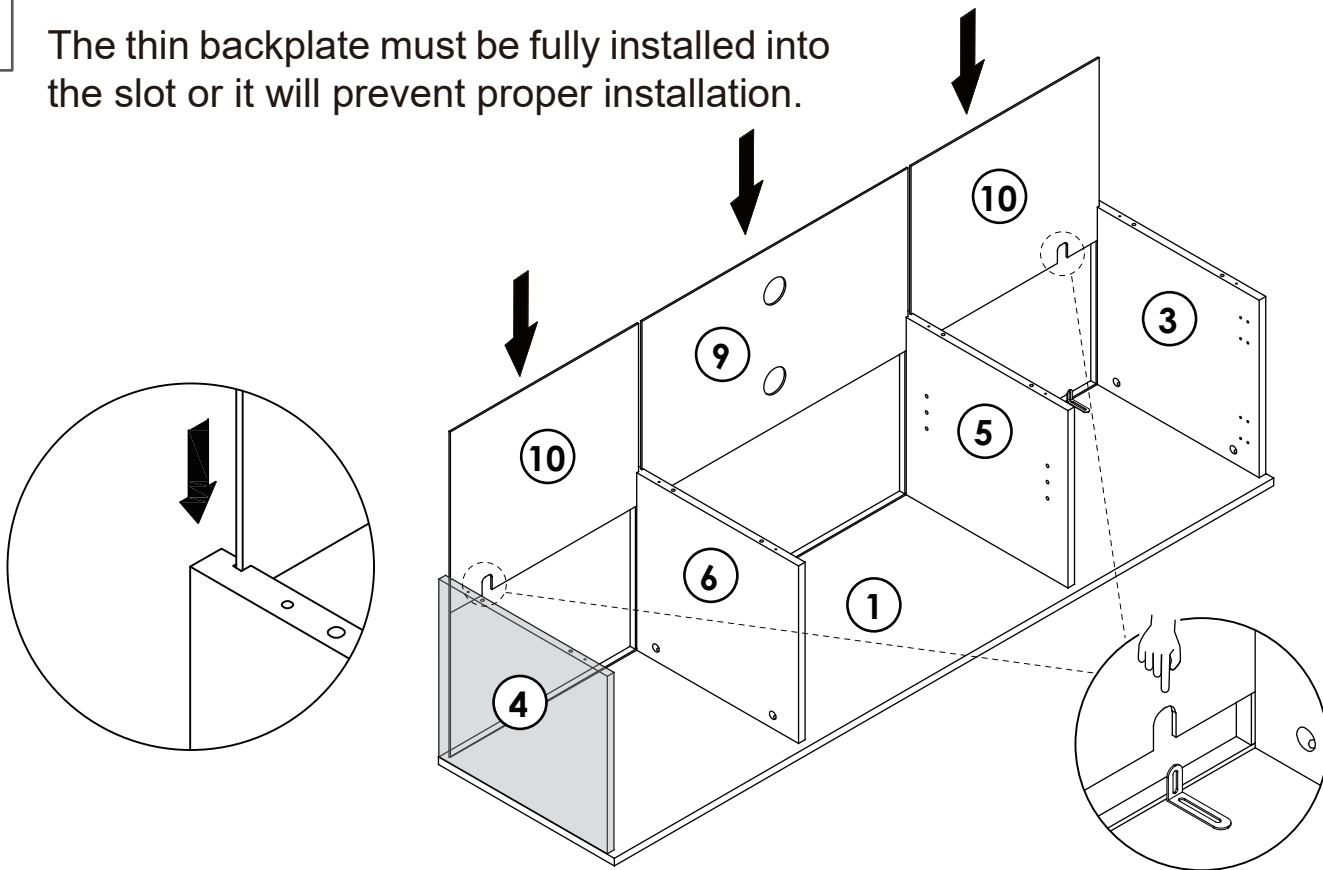
YOU WILL NEED

B x8

C x8



3 The thin backplate must be fully installed into the slot or it will prevent proper installation.

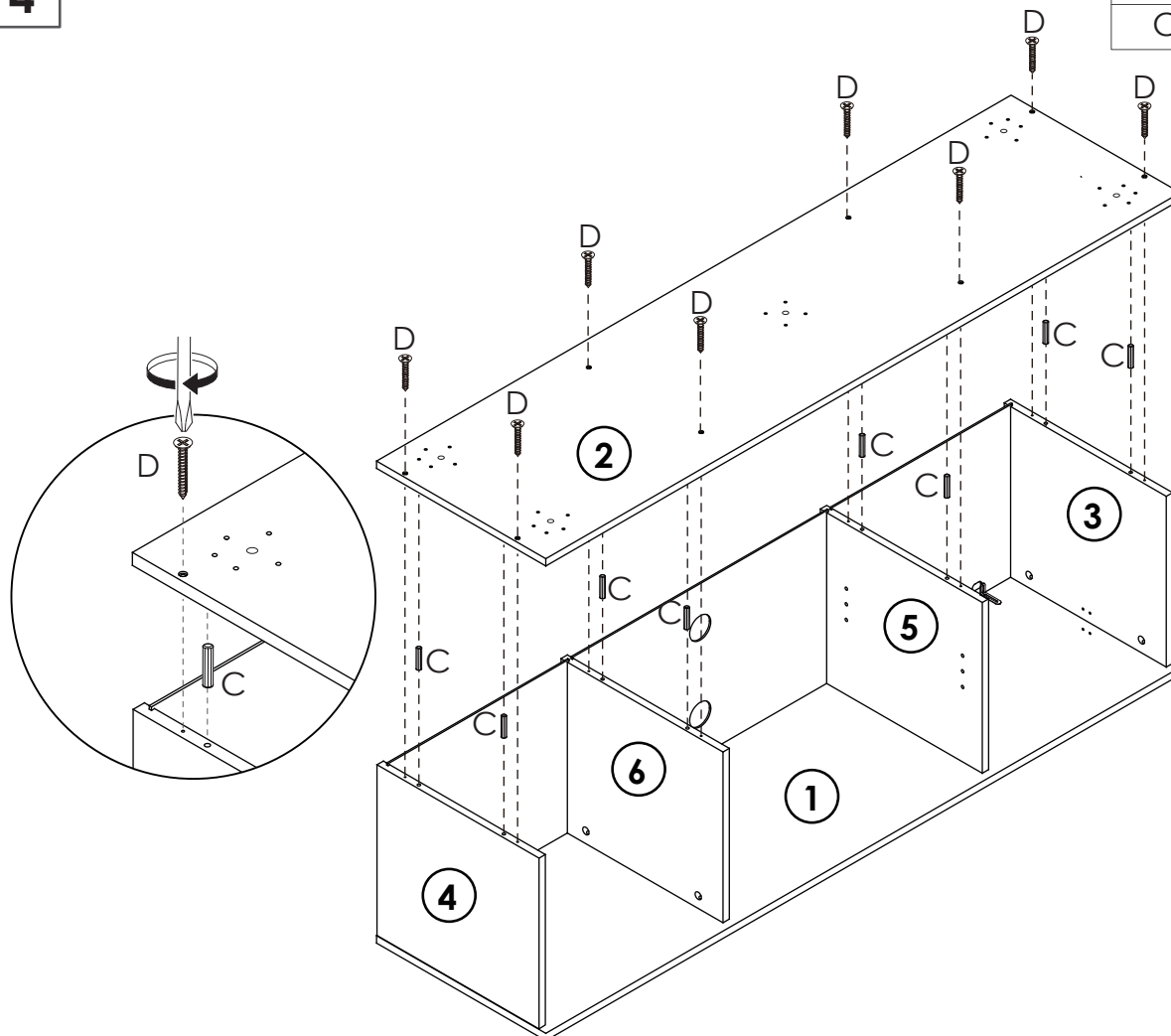


4

YOU WILL NEED

C x8

D x8



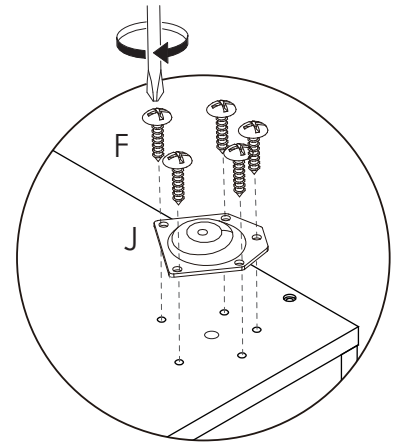
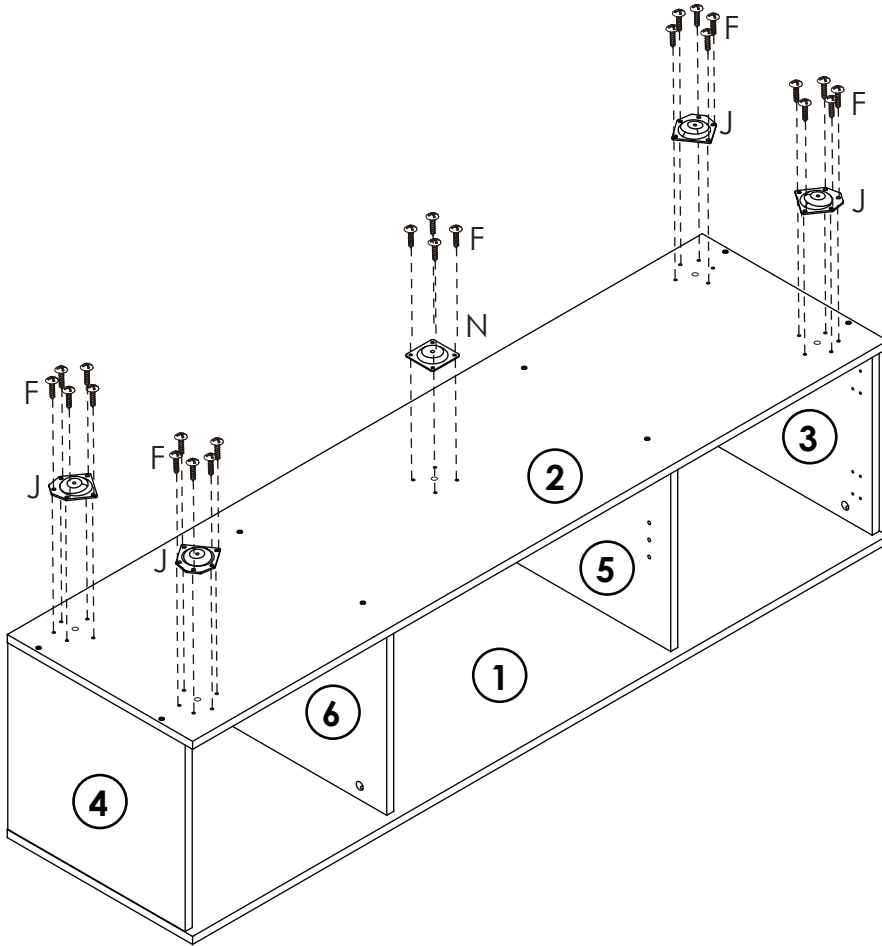
5

YOU WILL NEED

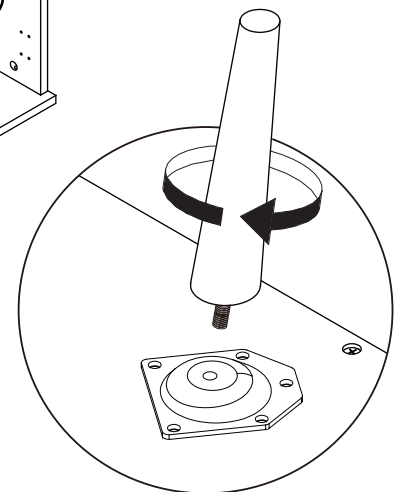
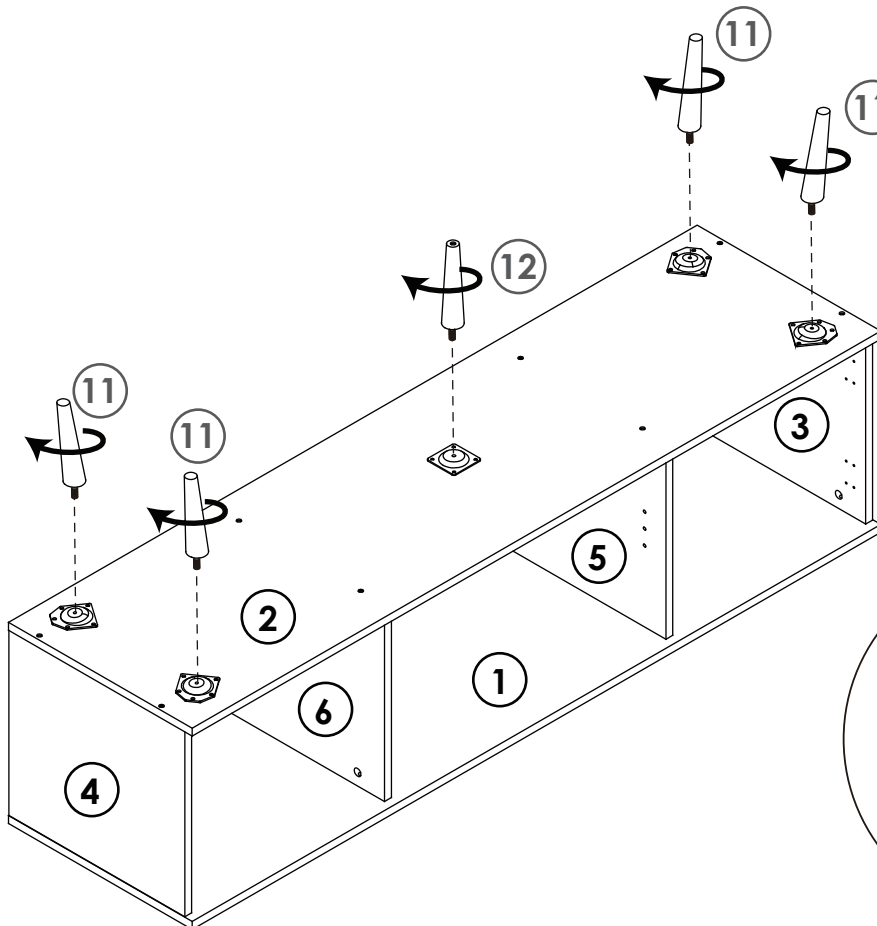
F x24

J x4

N x1



6

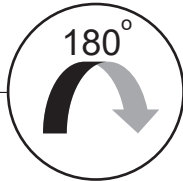
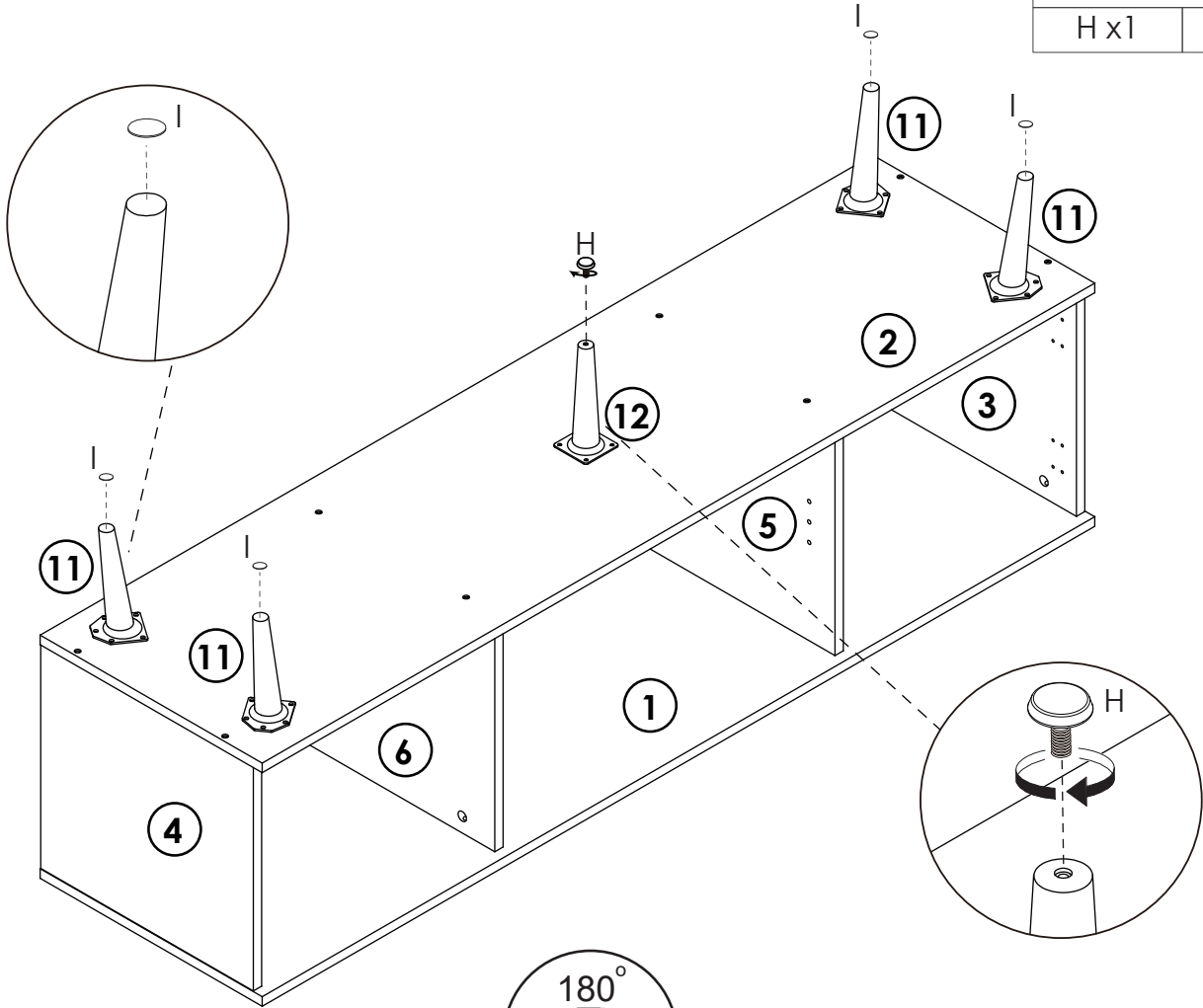


7

YOU WILL NEED

H x1

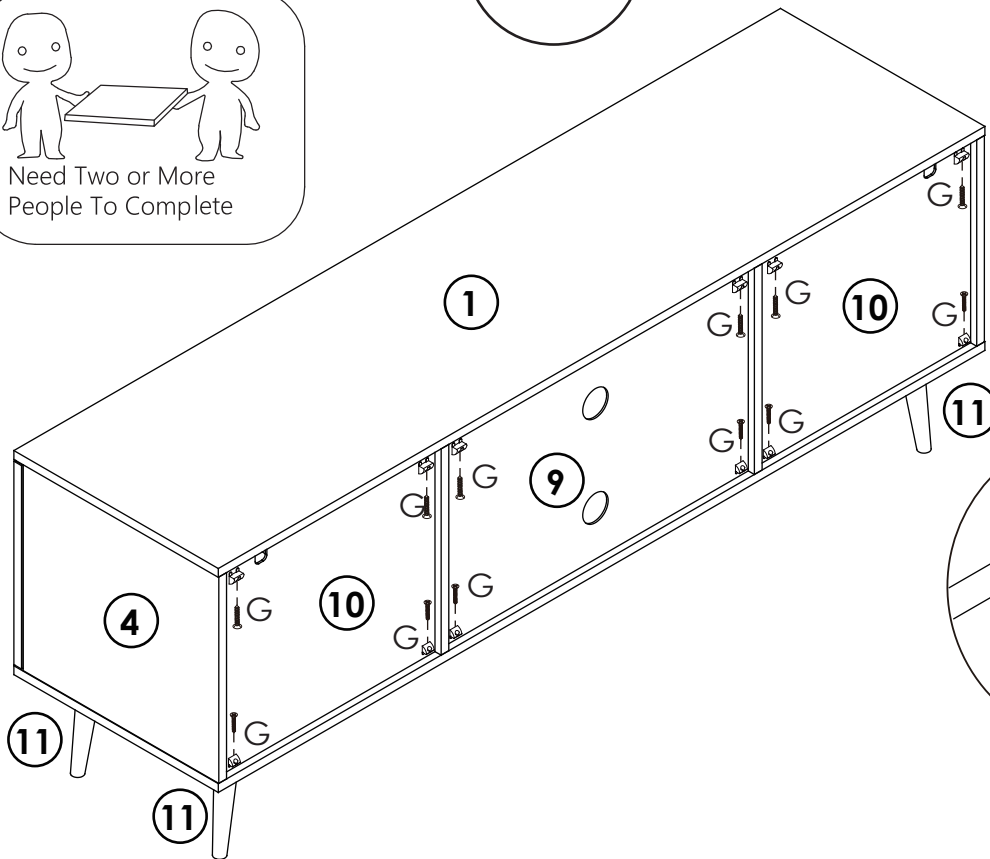
I x4



8

YOU WILL NEED

G x12



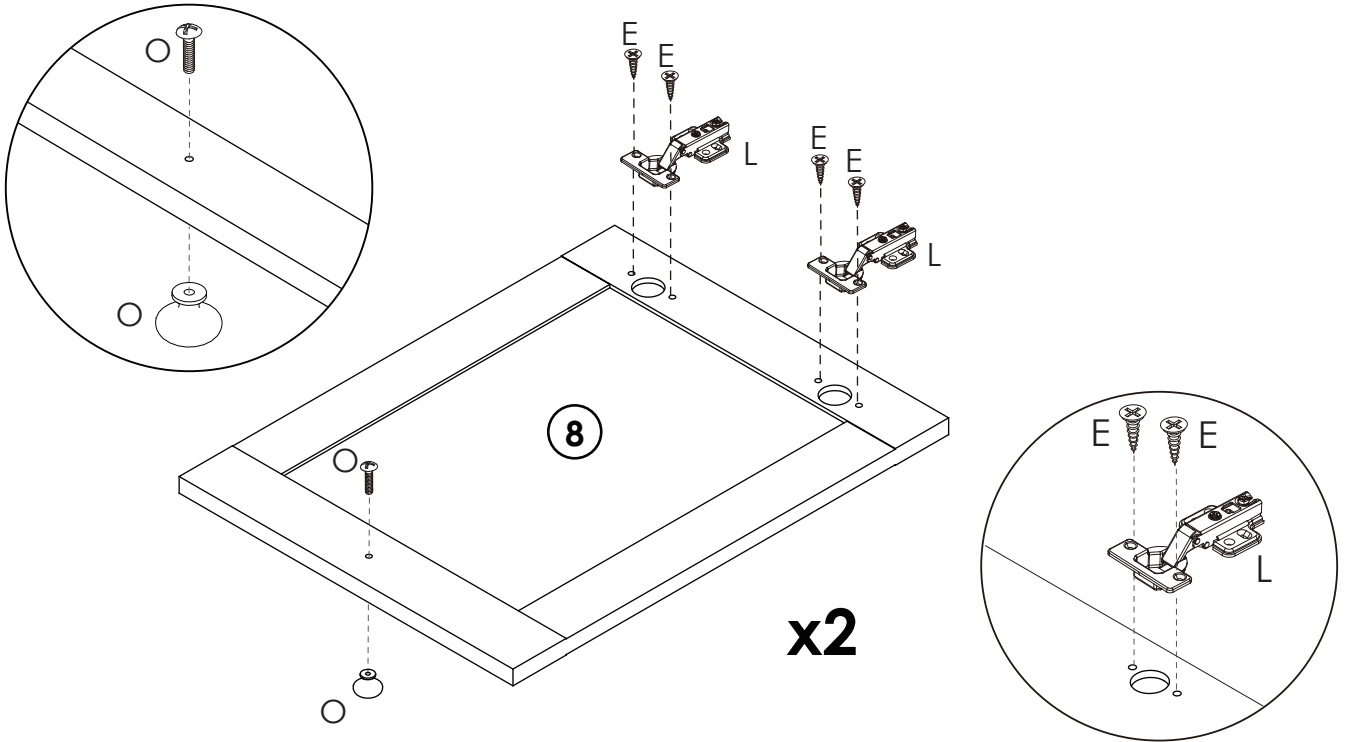
9

YOU WILL NEED

L x4

E x8

O x2

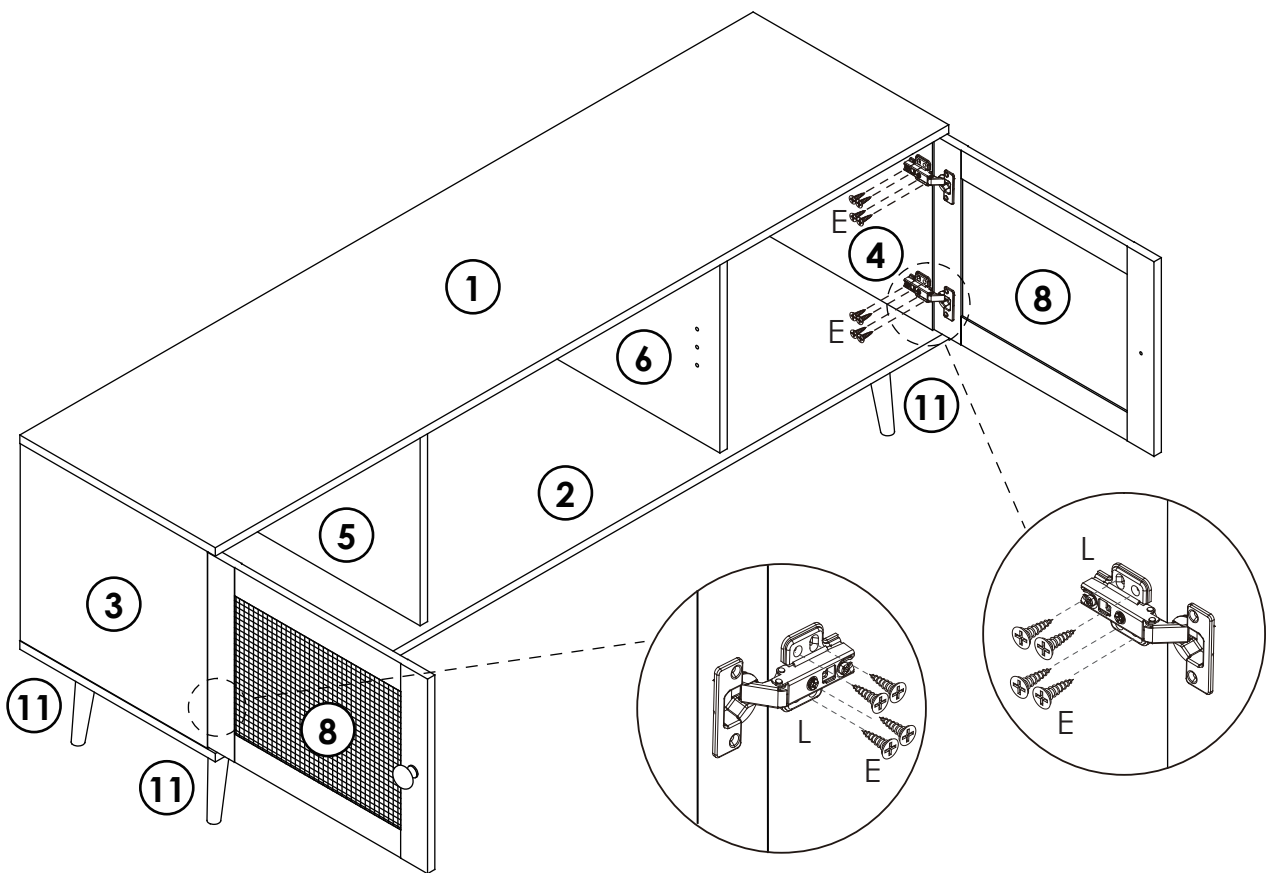


x2

10

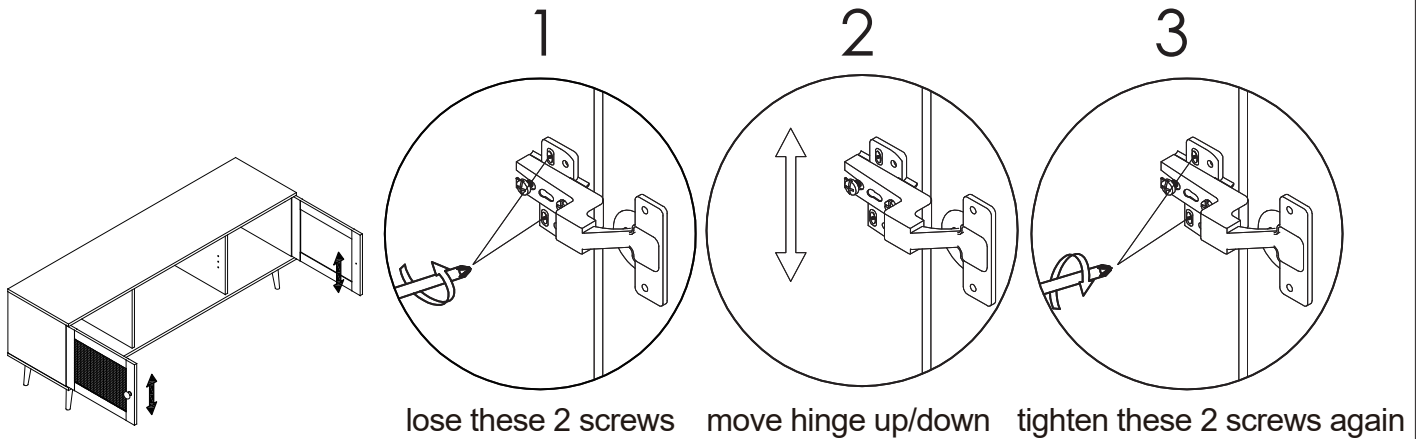
YOU WILL NEED

E x16

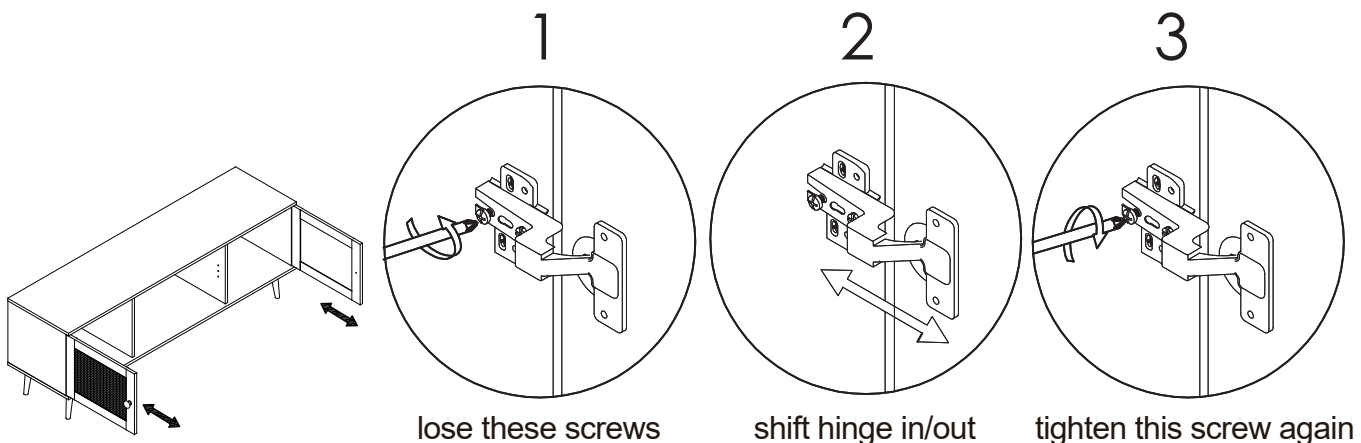




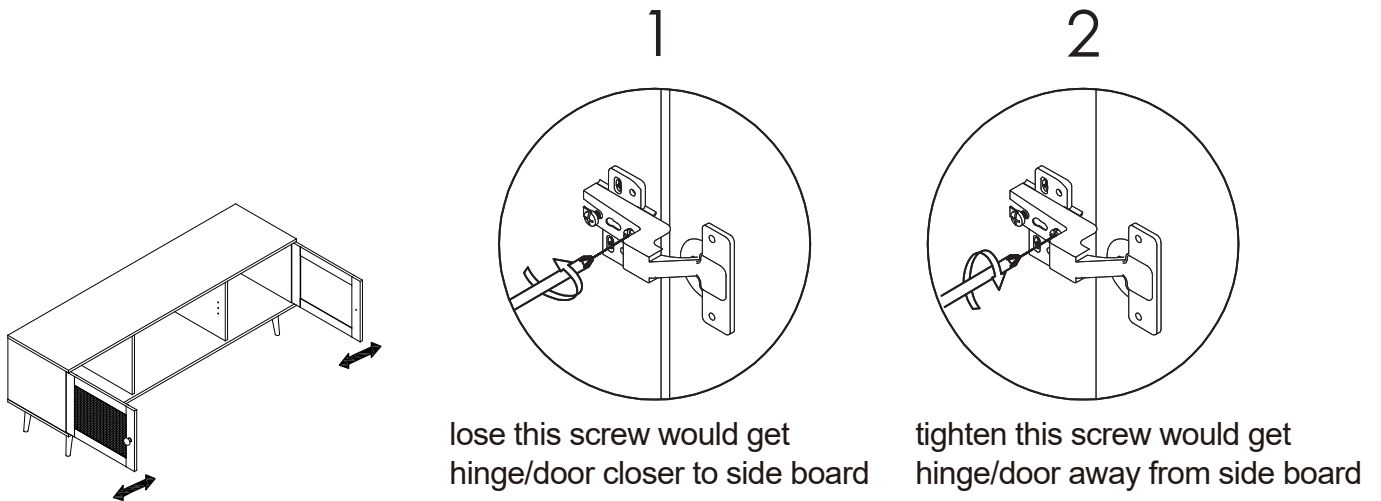
NOTE :If you notice that the cabinet doors are not properly aligned, such as significant gaps or vertical or horizontal misalignment, please adhere to the following adjustment instructions.



lose these 2 screws move hinge up/down tighten these 2 screws again



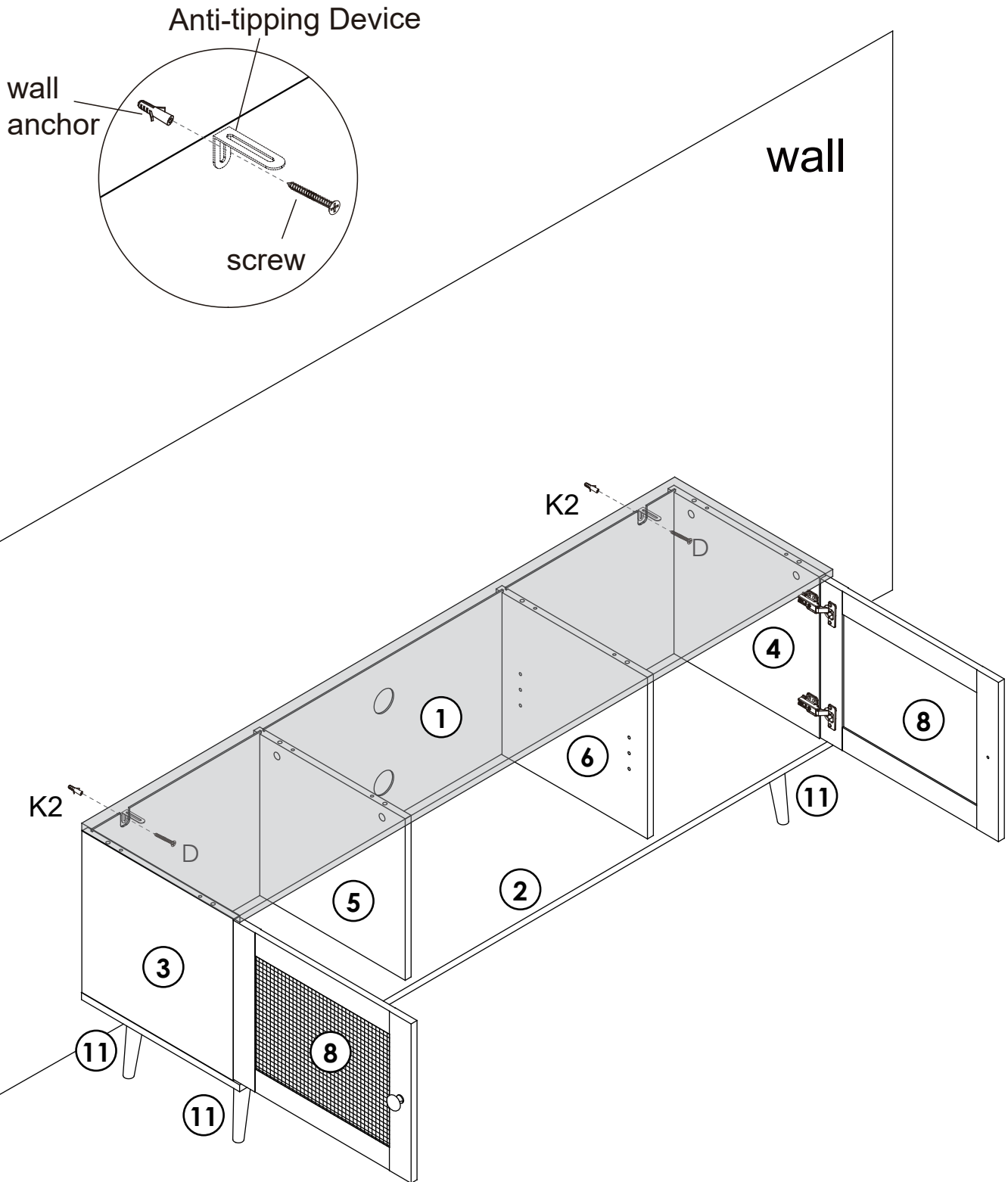
lose these screws shift hinge in/out tighten this screw again



lose this screw would get hinge/door closer to side board tighten this screw would get hinge/door away from side board

⚠ DANGER

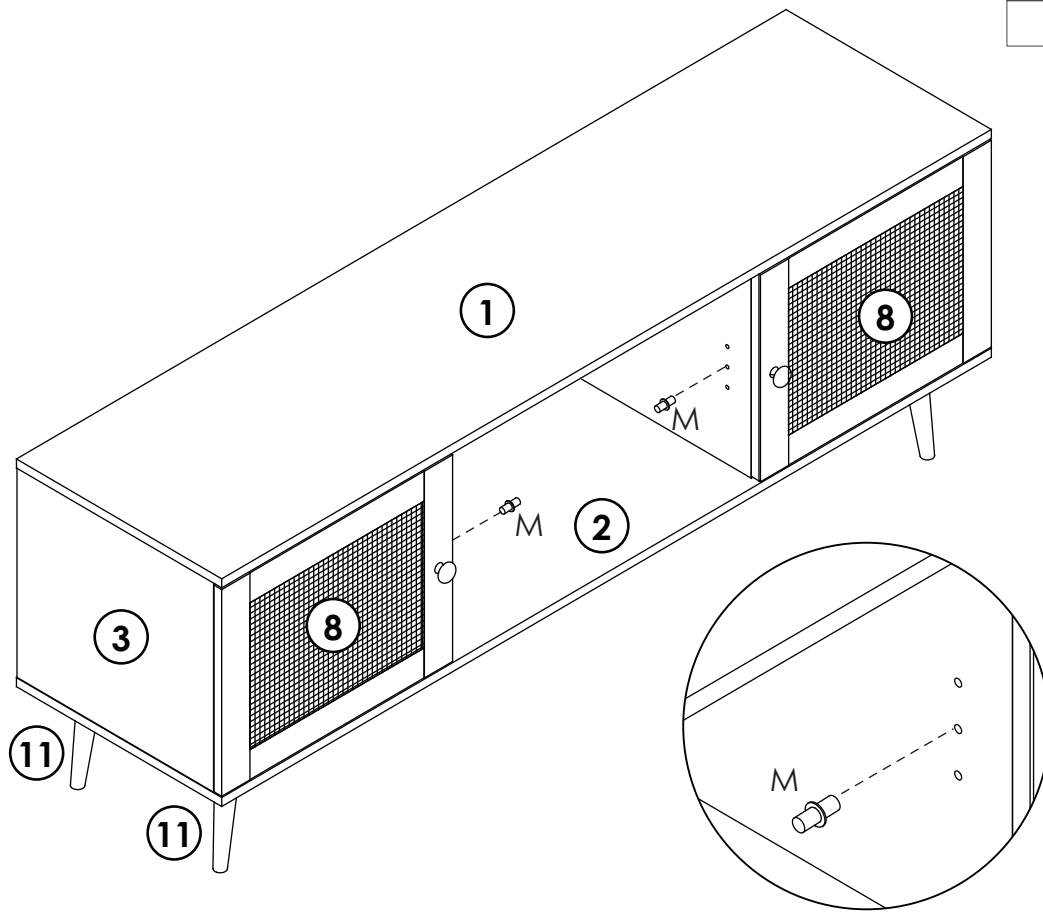
To prevent furniture from toppling attach, mount, boor otherwise secure to walls and floors. Do not place unstable furniture near where children plAn anchor kit suitable for plaster walls is included with this item. If you require a different kit consult your nearhardware store.



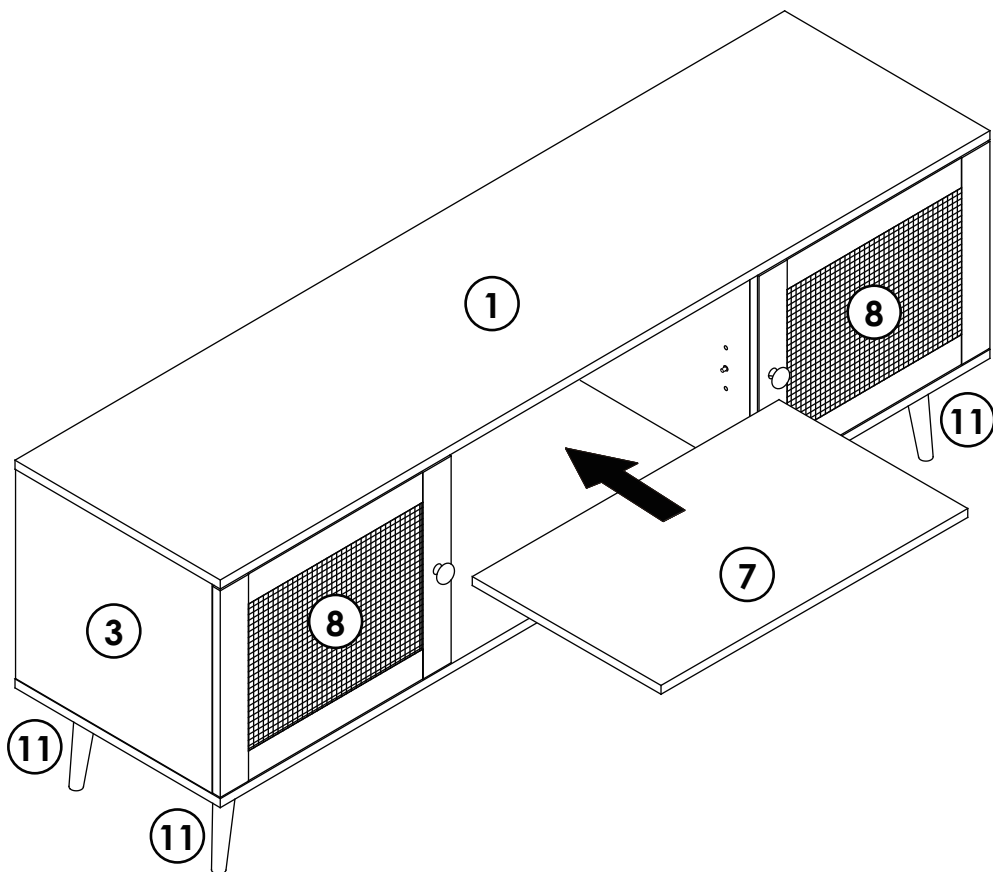
13

YOU WILL NEED

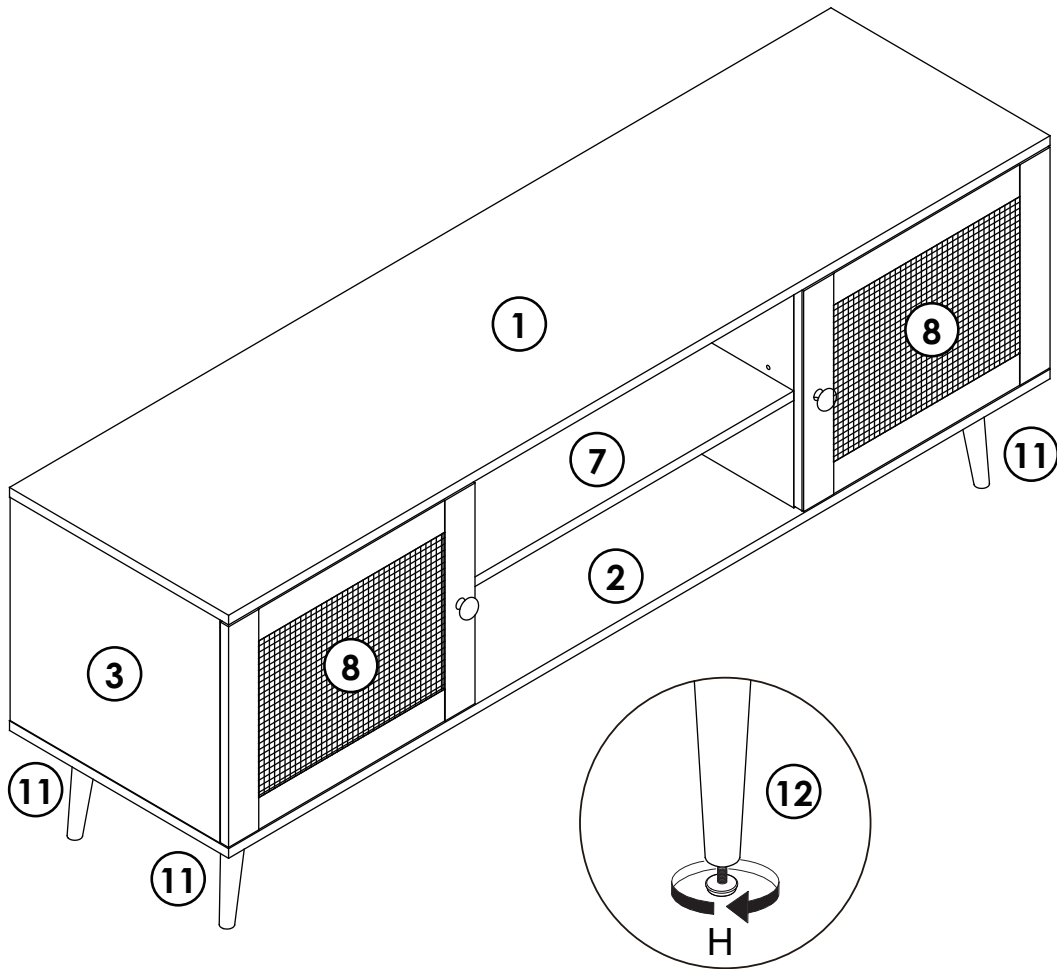
M x4



14



15



When the floor is uneven, it is necessary to rotate the adjustable legs to smooth the cabinet on the floor.

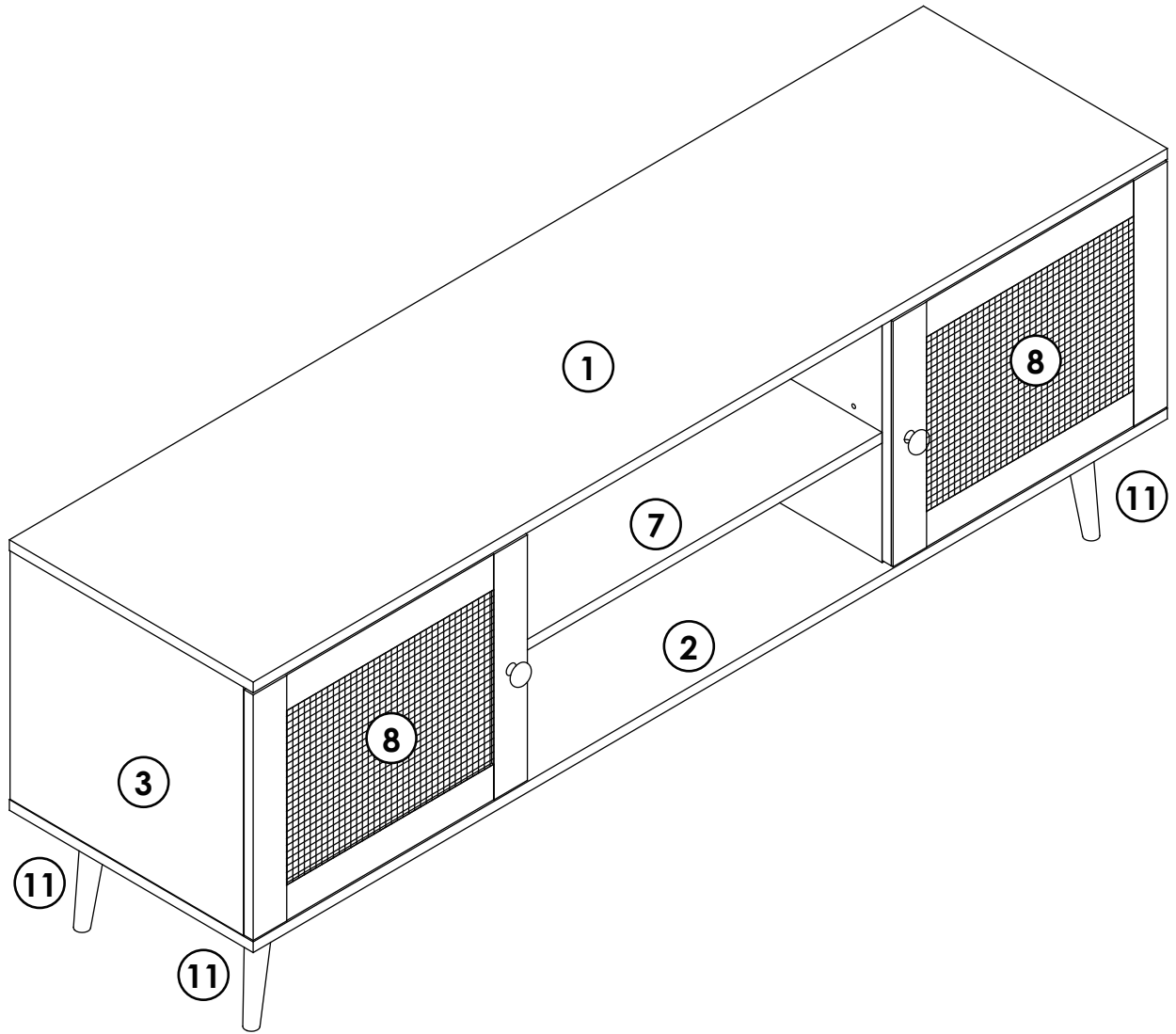
 **WARNING**



Children have died from furniture tipover. To reduce the risk of furniture tipover:

- ALWAYS install tipover restraint provided.
- NEVER allow children to stand, climb or hang on drawers, doors, or shelves.
- NEVER open more than one drawer at a time.
- Place heaviest items in the lowest drawers.

*This is a permanent label.
Do not remove!*



Made in China

