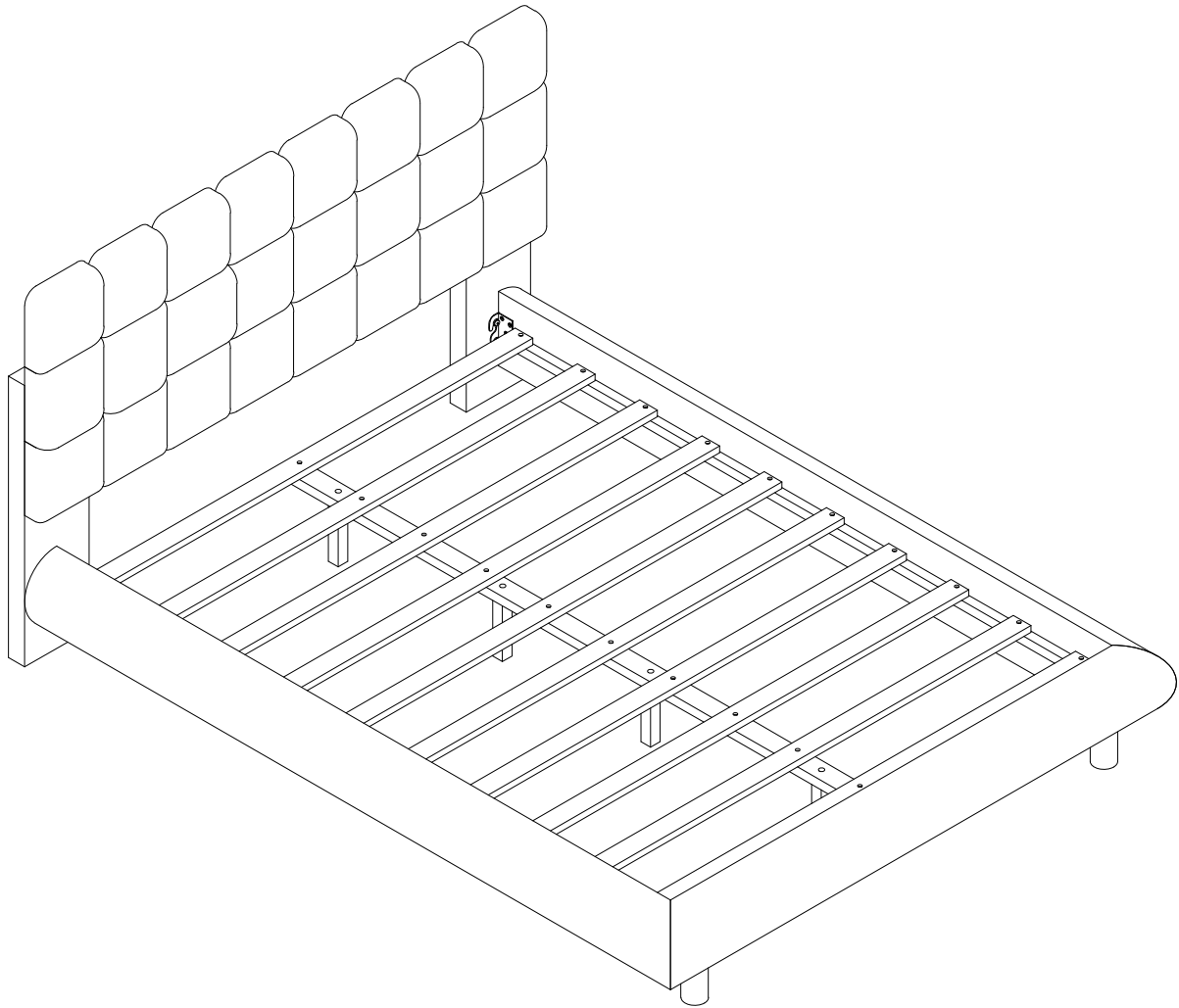
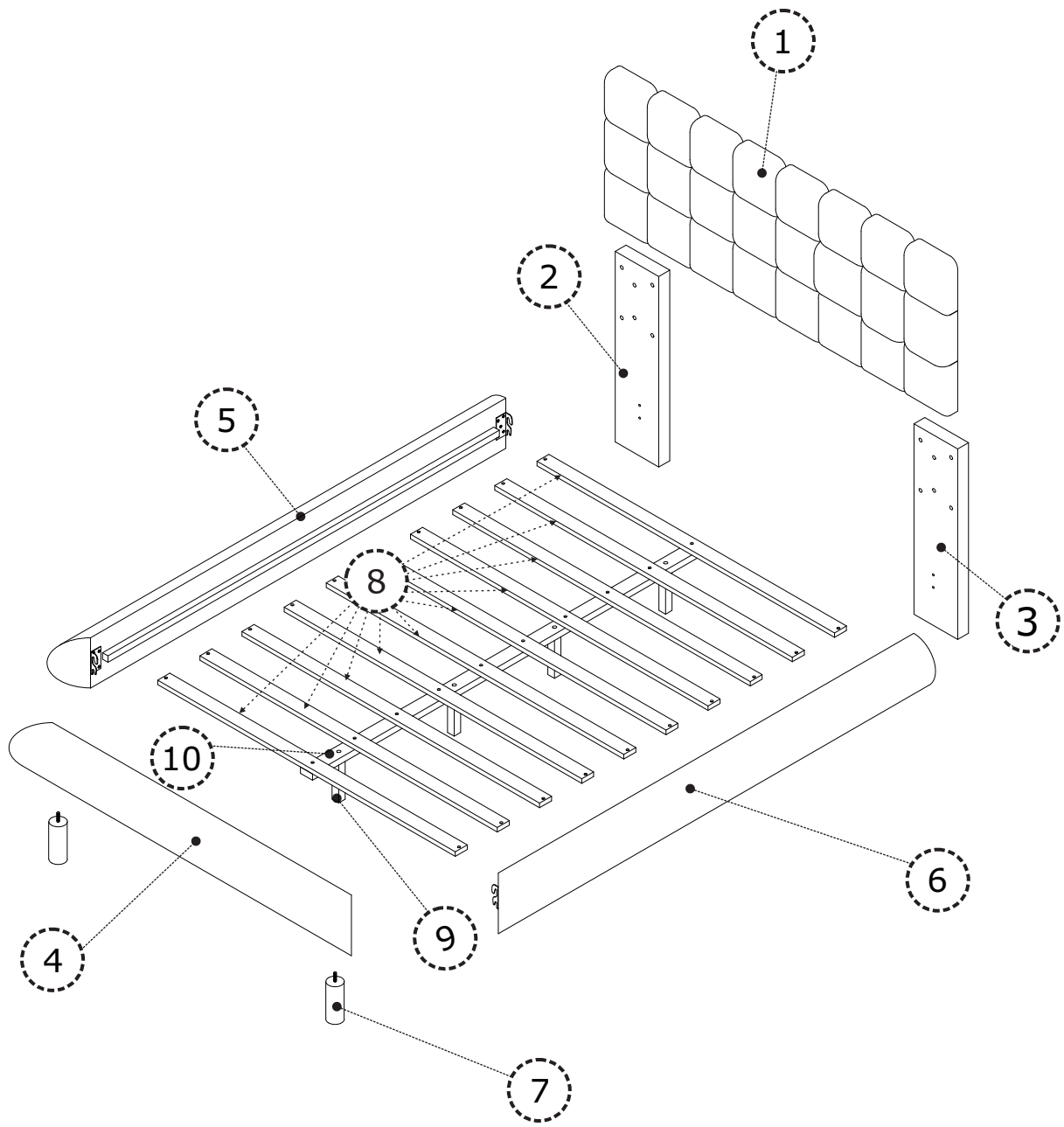


WF312576
WF312577



ASSEMBLY INSTRUCTIONS

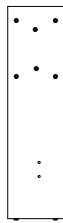


PARTS

Check that you've received
all parts listed below.

BOX: 1/2
WF312576

2 x 1



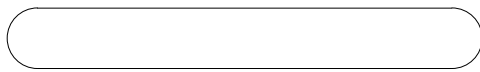
Head Leg left

3 x 1



Head Leg Right

4 x 1



Foot Board

5 x 1



Side Board Right

6 x 1



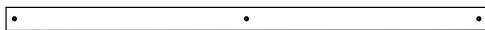
Side Board Left

7 x 2



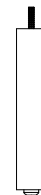
Legs

8 x 10



Slats

9 x 4



Support Legs

10 x 1



Support Slats

Hardware

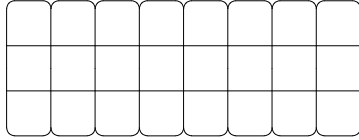


PARTS

Check that you've received
all parts listed below.

BOX: 2/2
WF312577

1 x 1

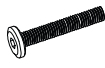

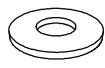
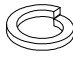

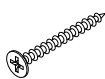
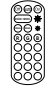
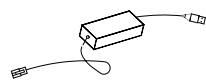



Head Board

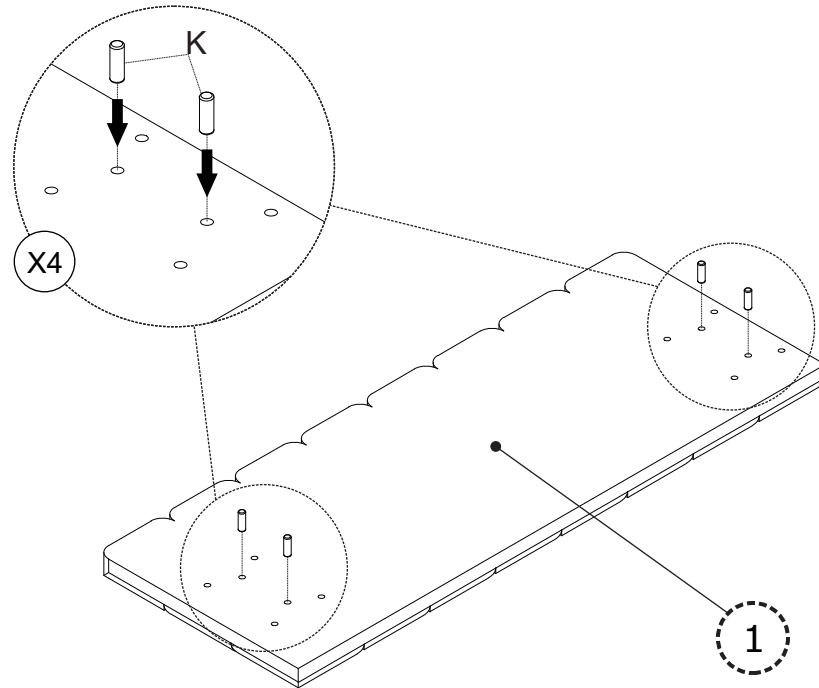
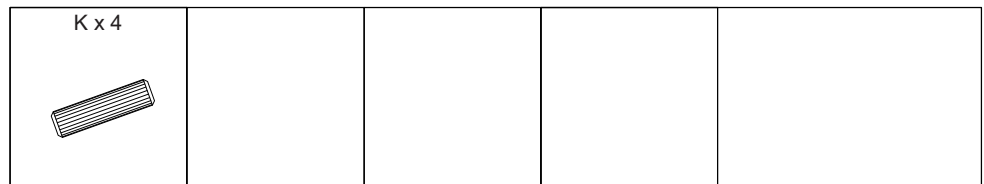
HARDWARE

Check that you've received all hardware listed below.

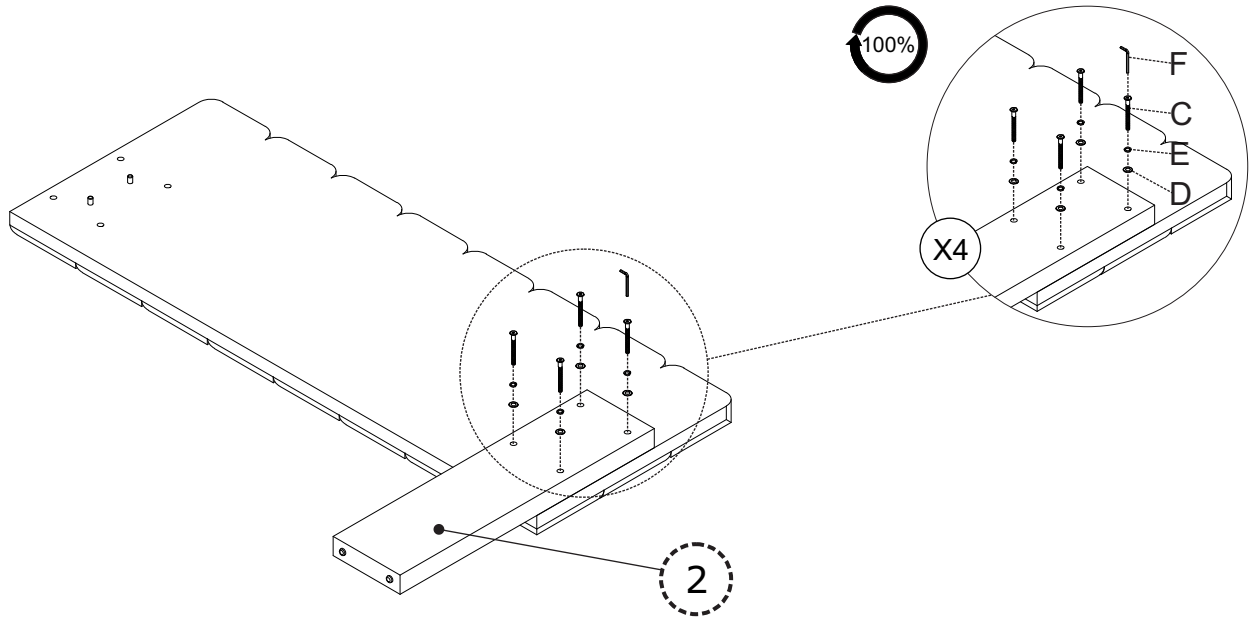
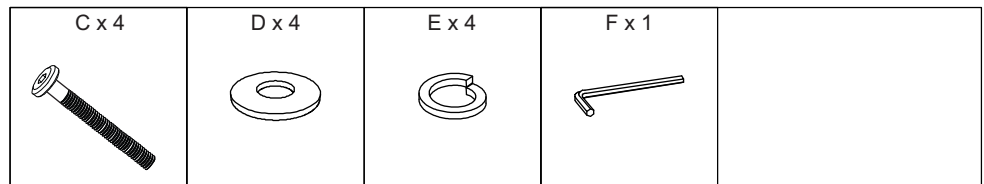
Hardware List

No.	OUTLOOK	DESC	QTY
(A)		Bolts 5/16"x30 mm	8
(C)		Bolts 5/16"x70 mm	8
(D)		Plain washer Ø19x1.5 mm	16
(E)		Spring washer Ø13x1 mm	16
(F)		Allen key 80x30x4 mm	1
(G)		Screws Ø4x30 mm	30
(H)		Led - Key	1
(I)		Led - Controller	1
(K)		Dowel Ø10 x 30 mm	4

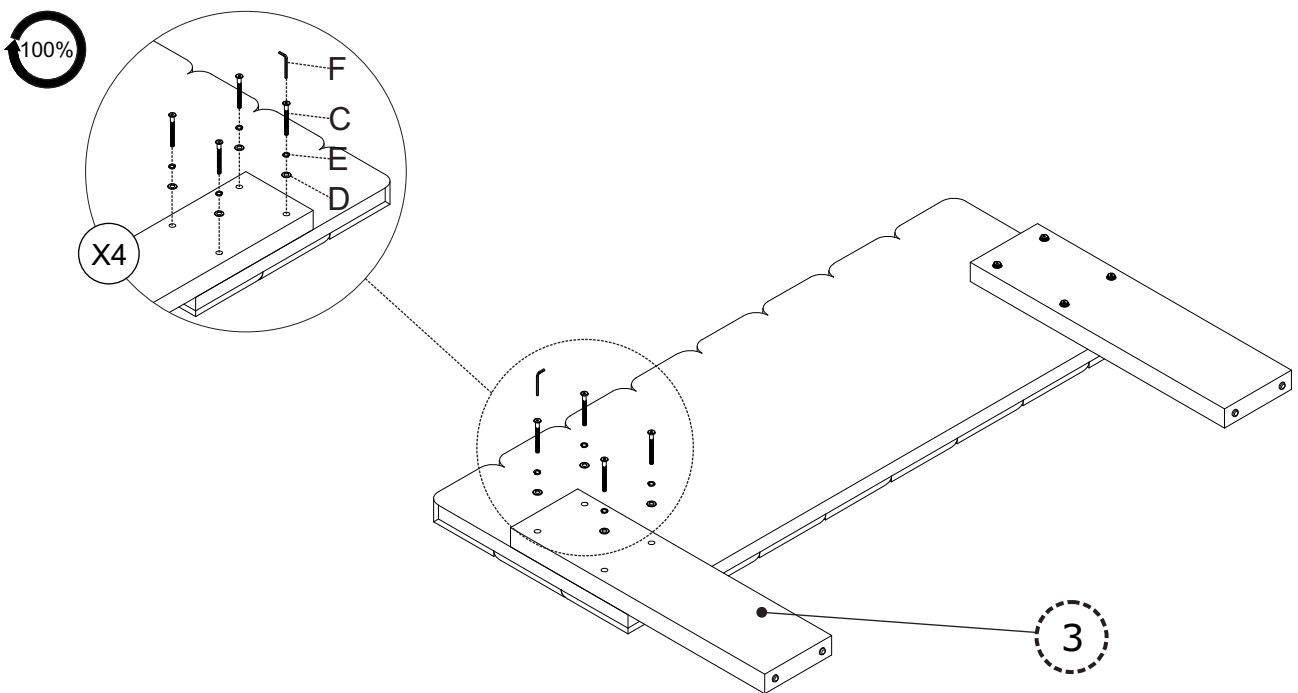
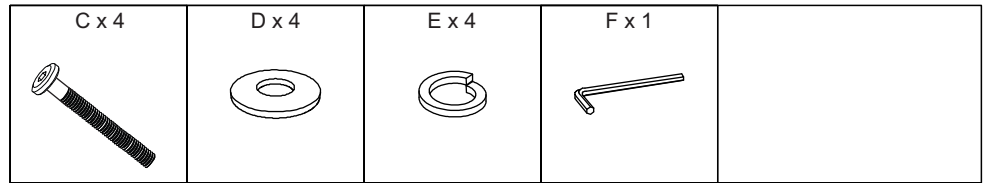
STEP 1



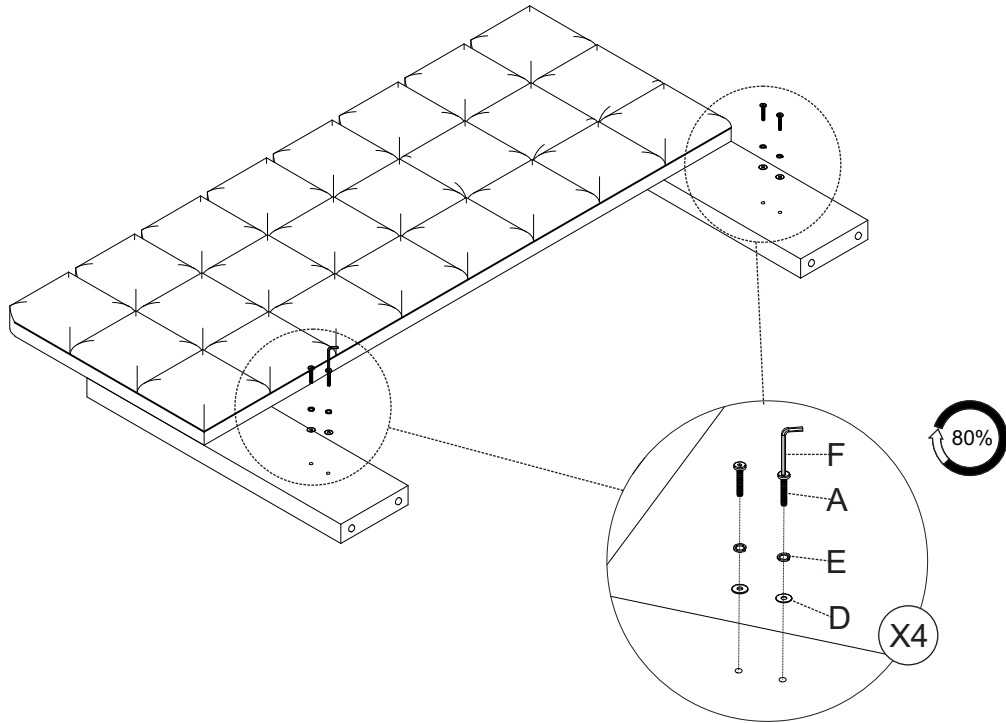
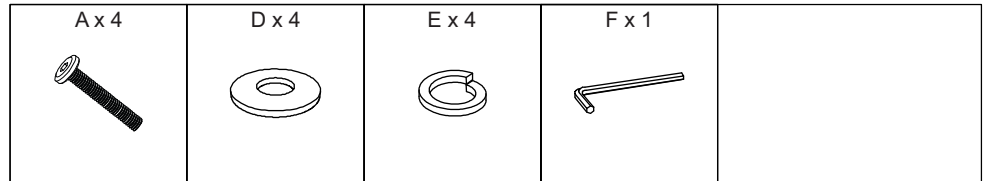
STEP 2



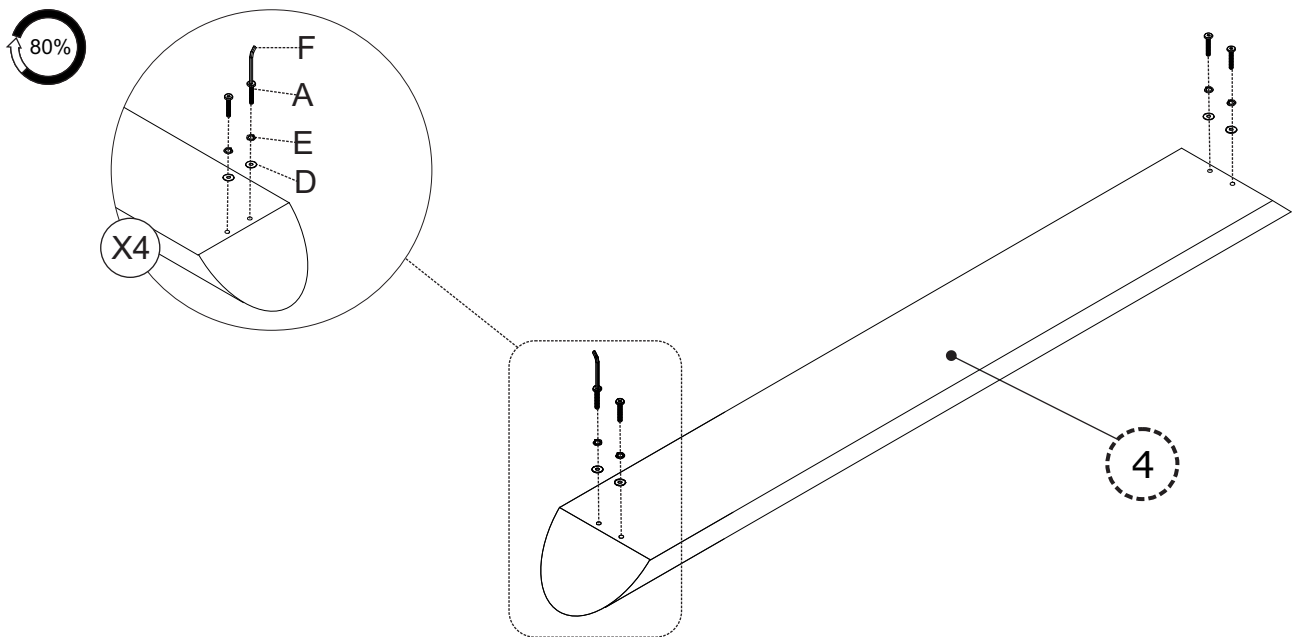
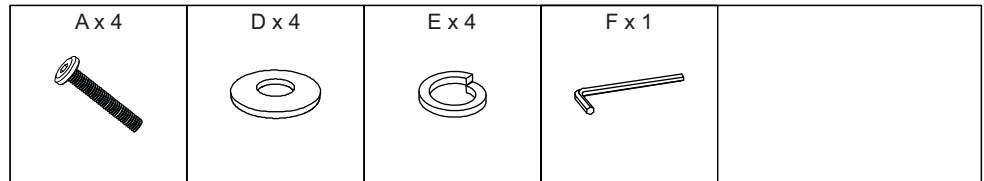
STEP 3



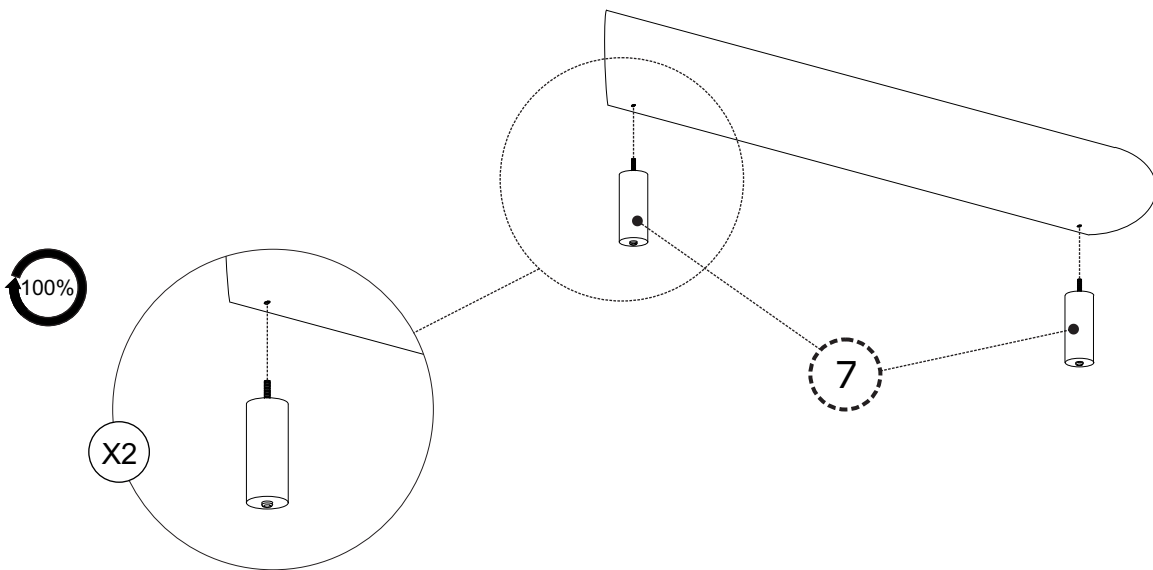
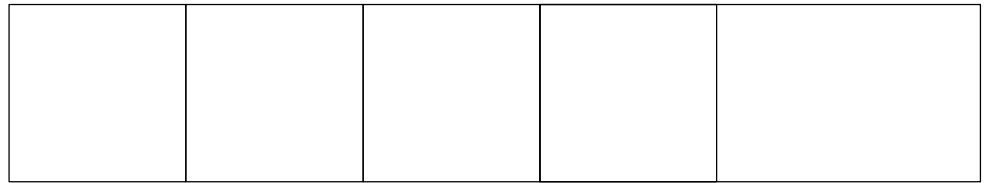
STEP 4



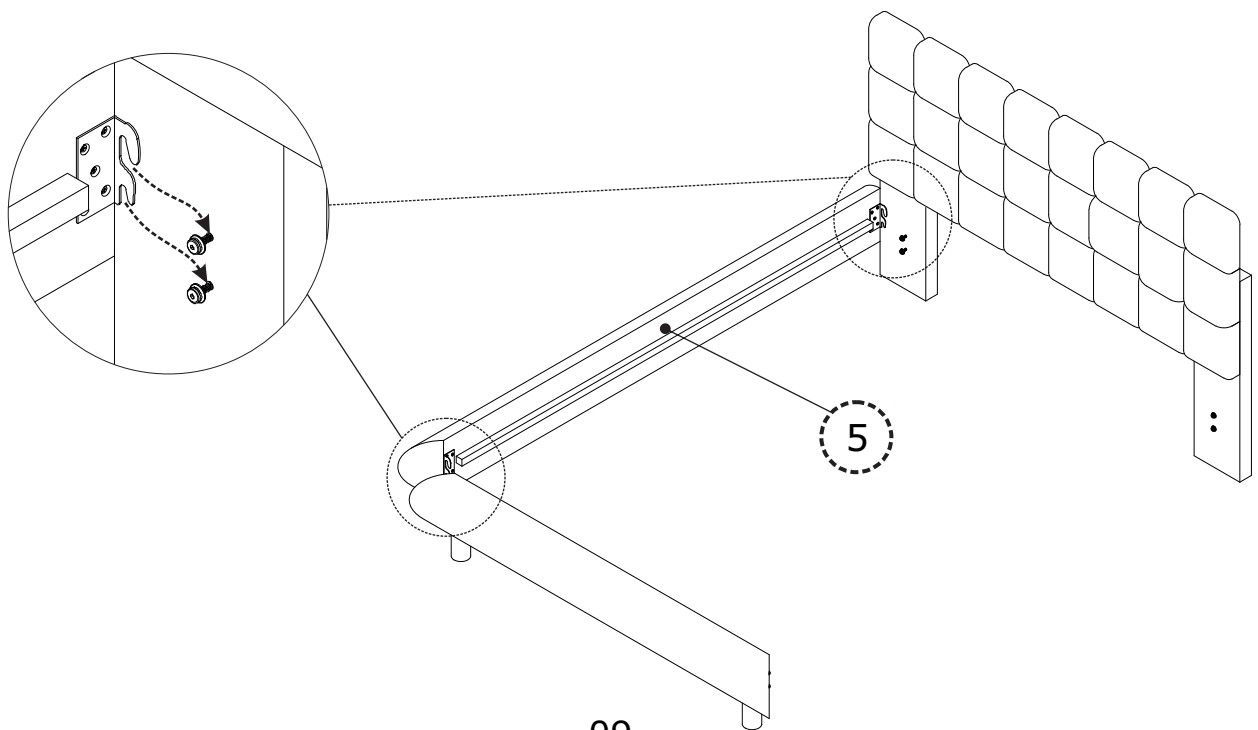
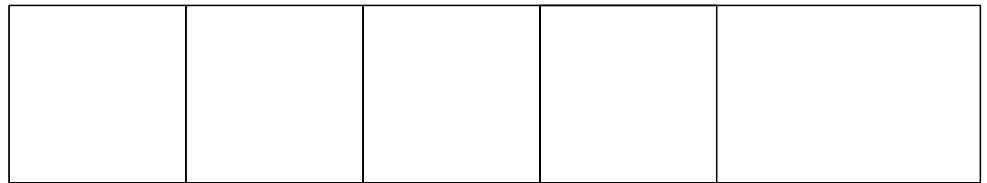
STEP 5



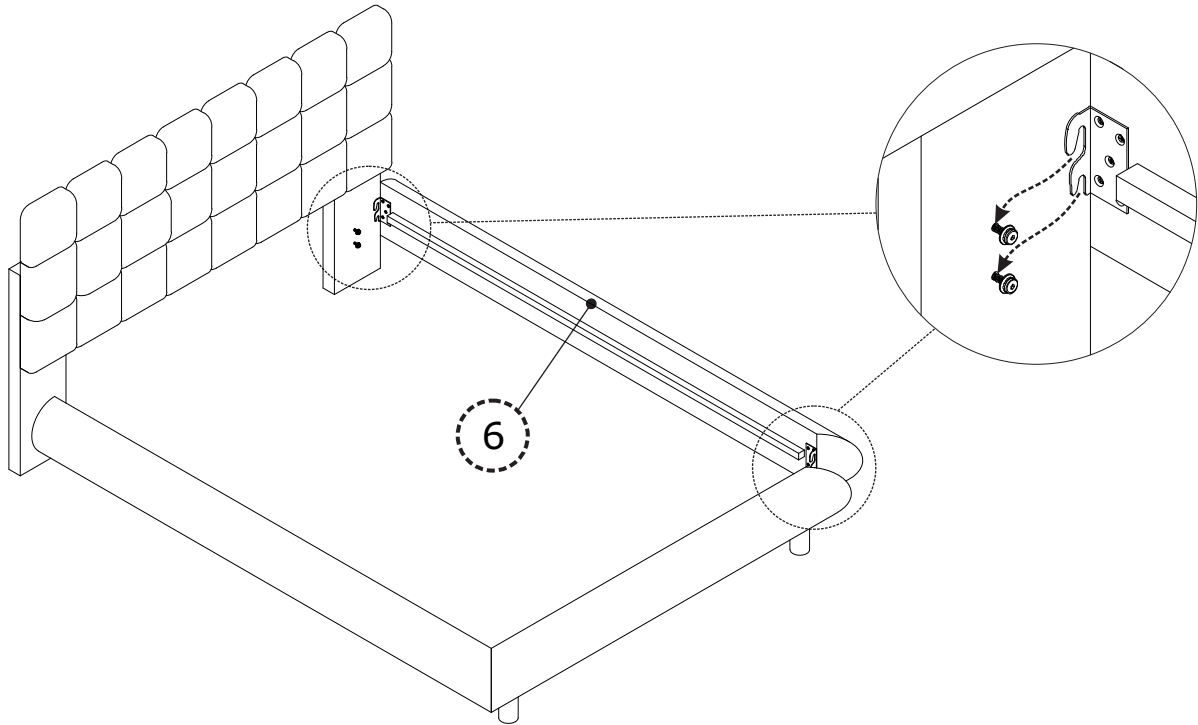
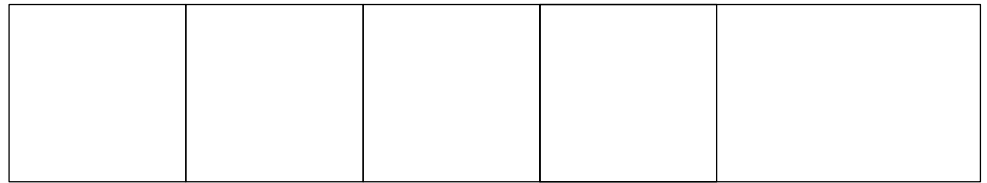
STEP 6



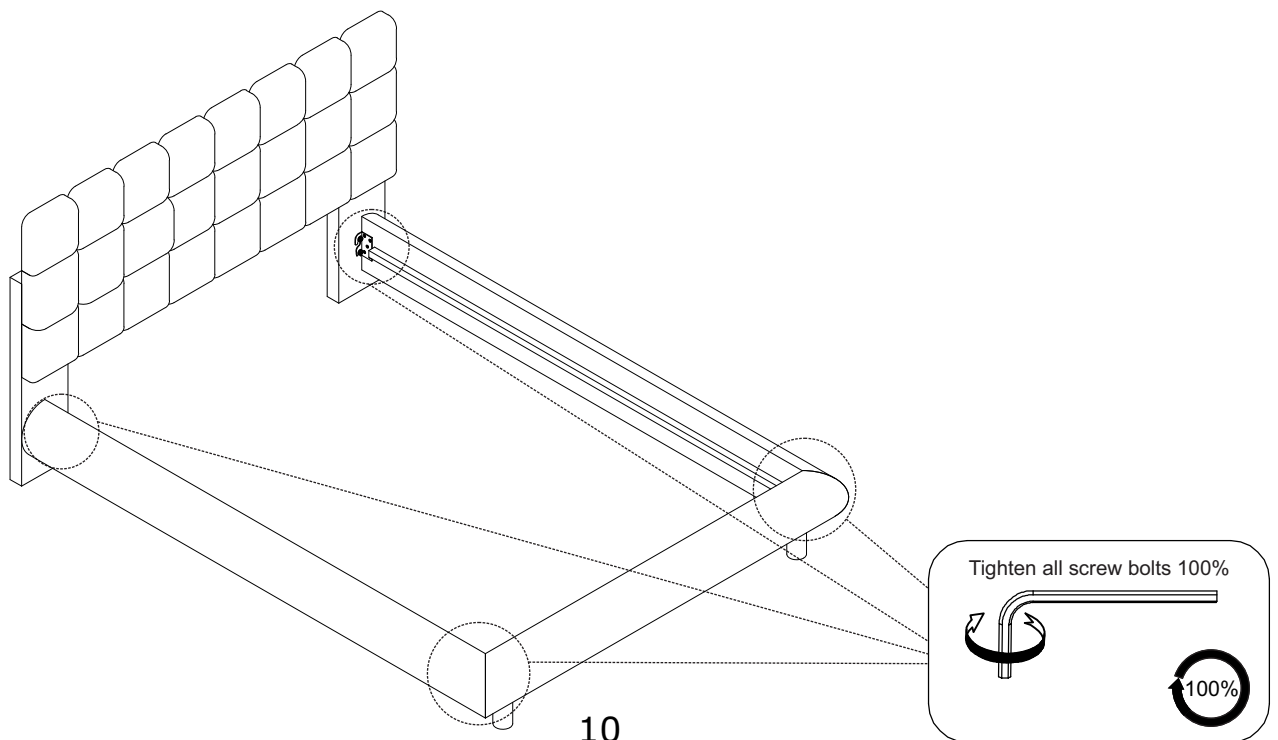
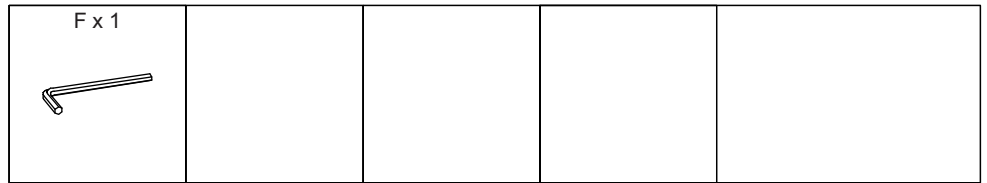
STEP 7



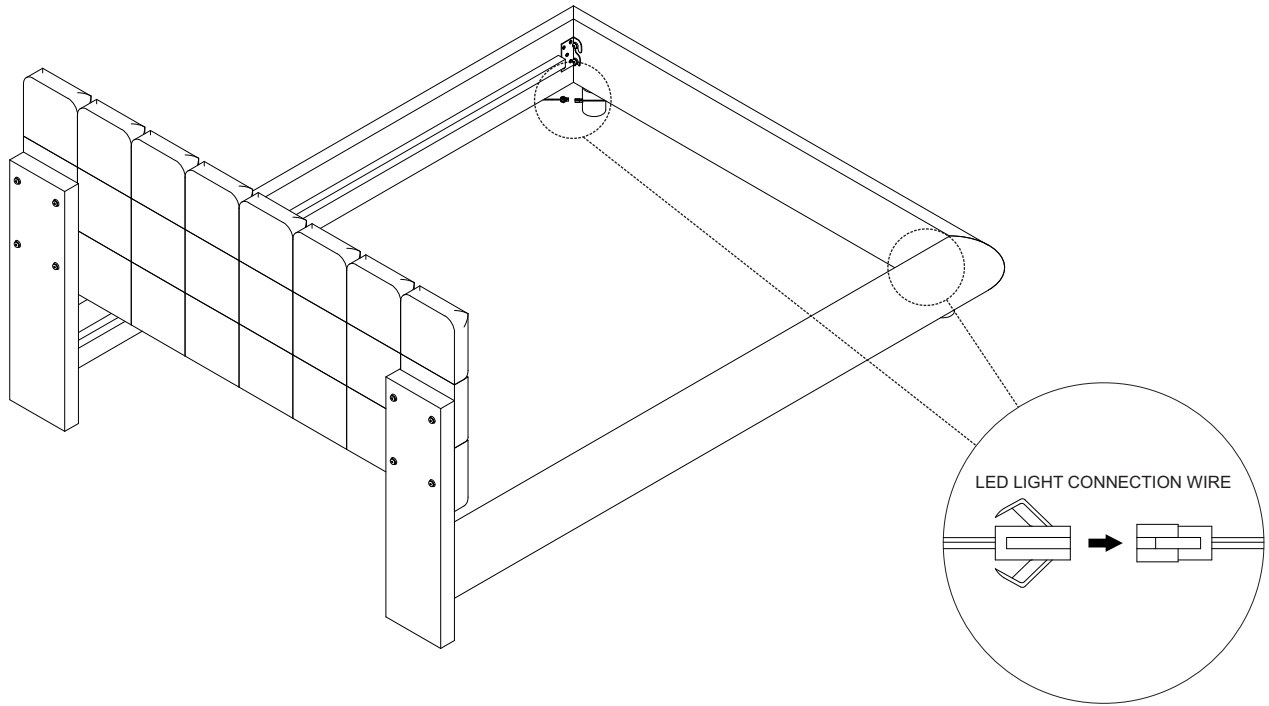
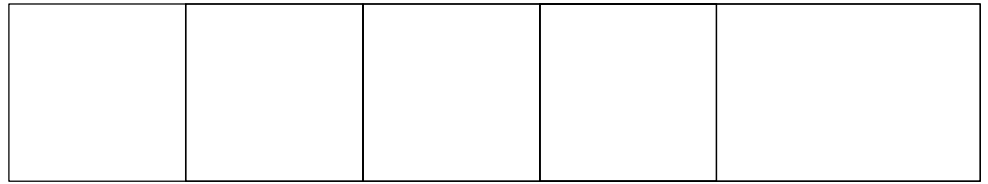
STEP 8



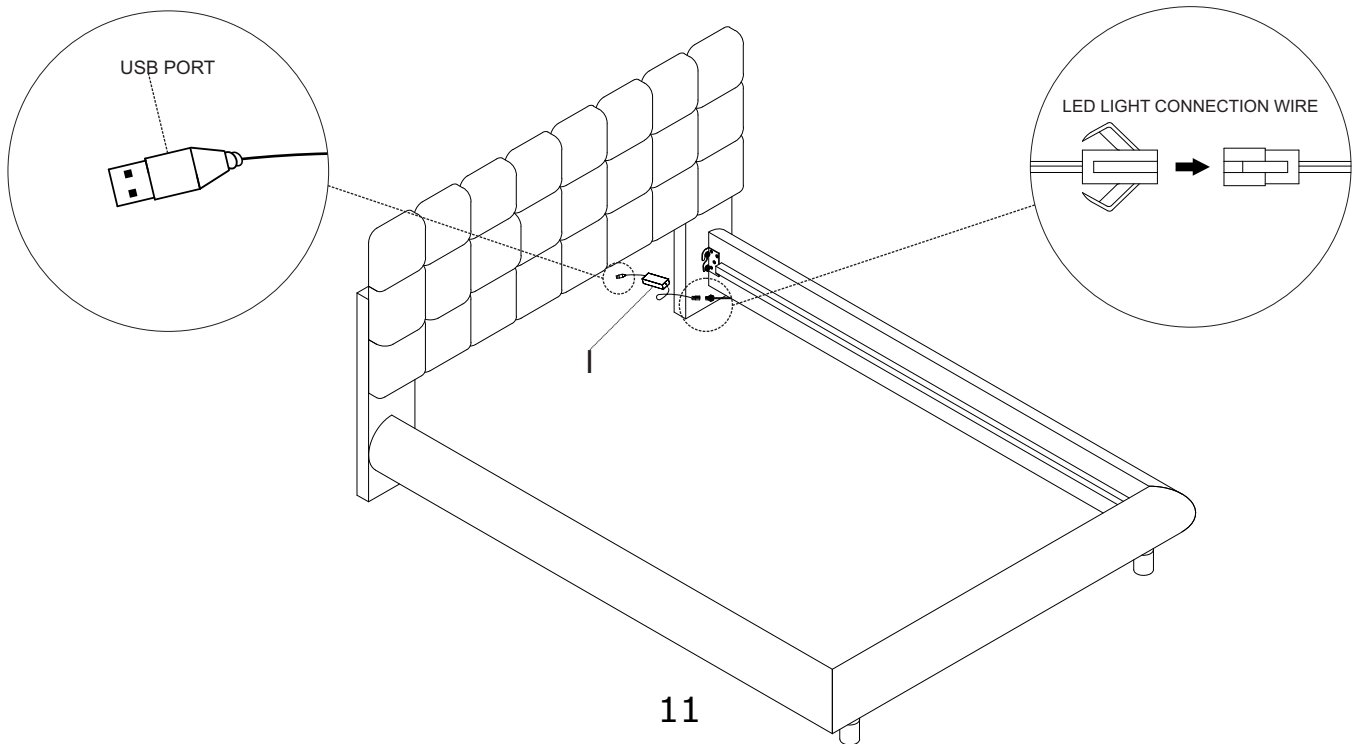
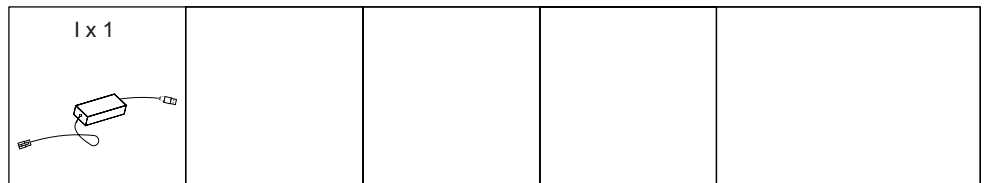
STEP 9



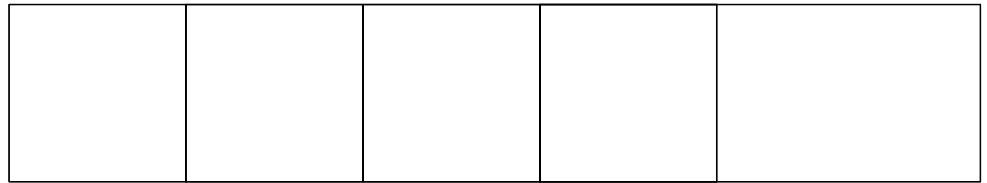
STEP 10



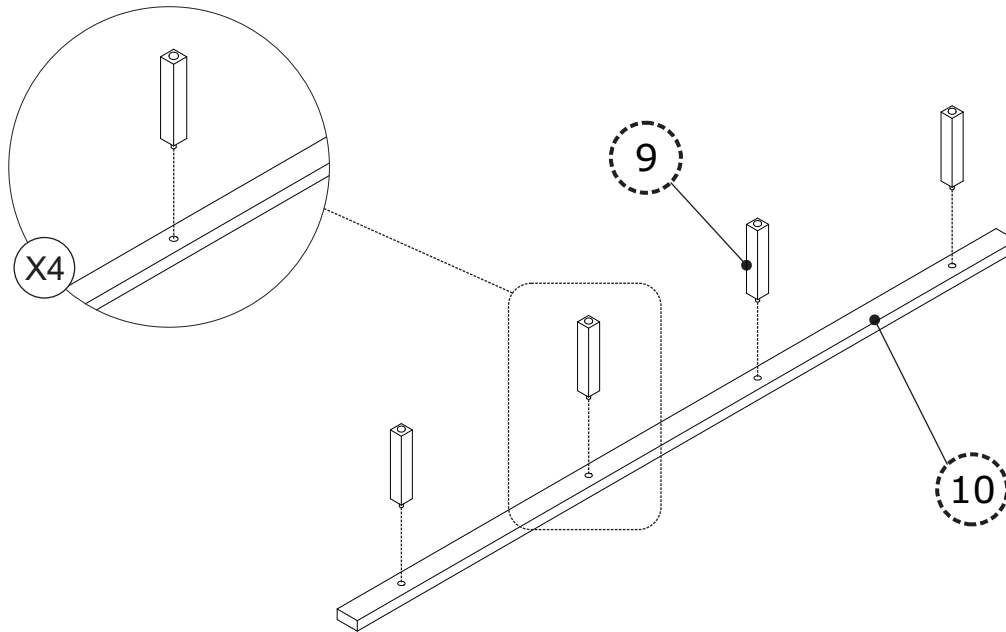
STEP 11



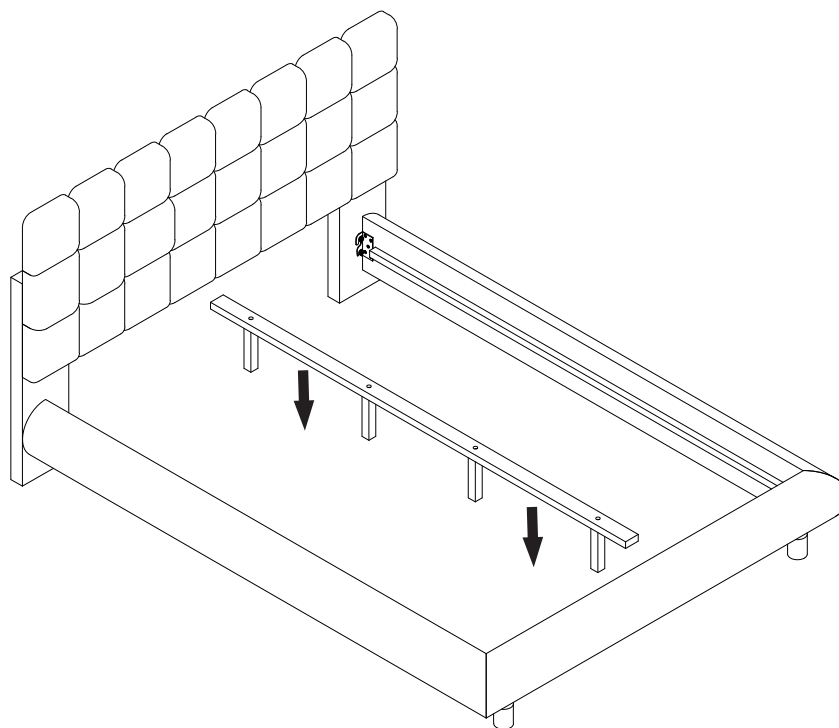
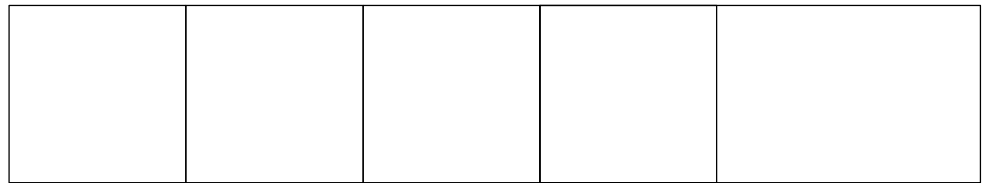
STEP 12



100%

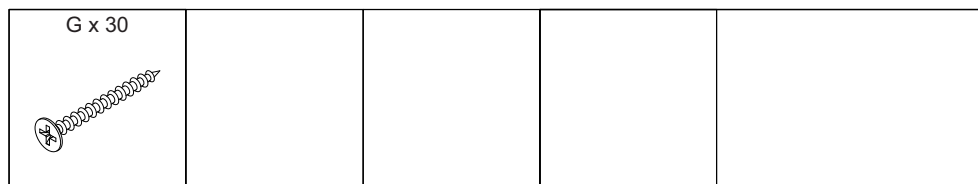


STEP 13



12

STEP 14



100%

