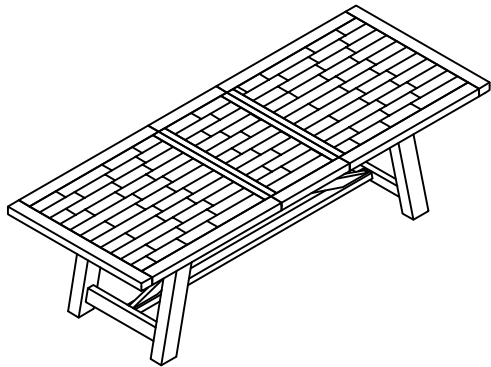
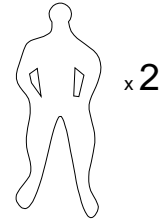




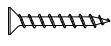


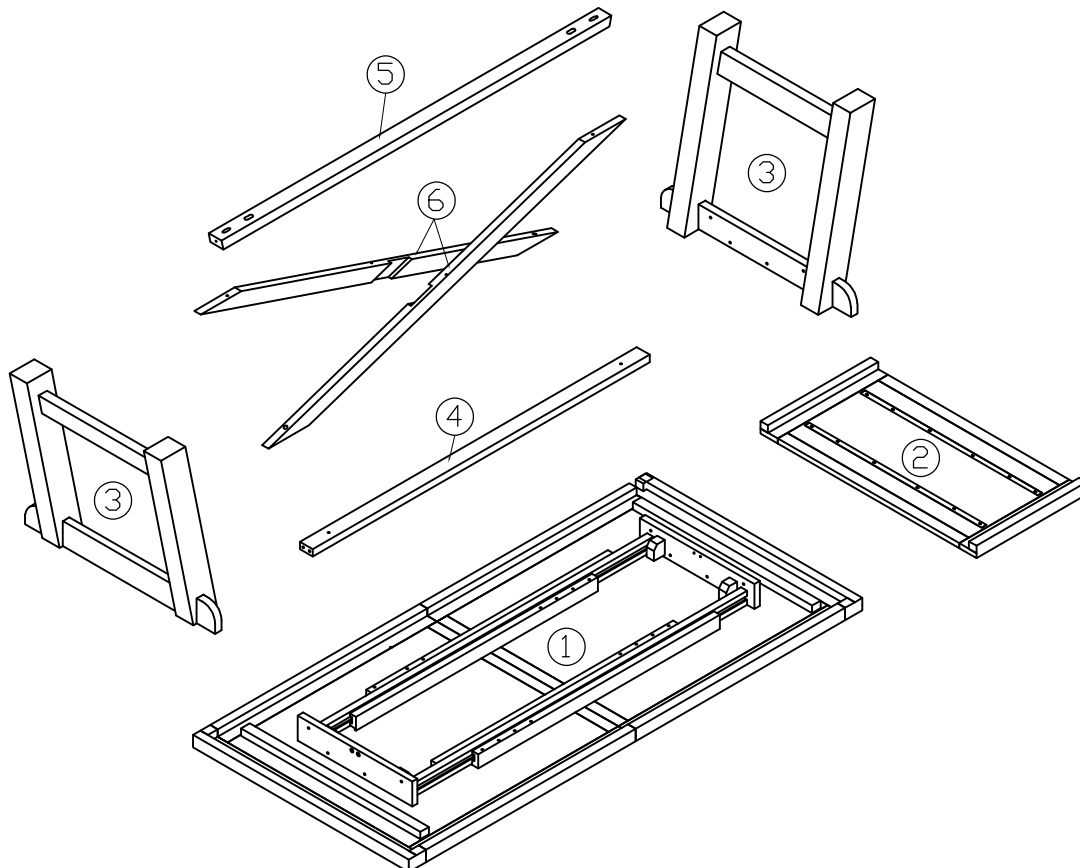
DINING TABLE (MOCHA BROWN)



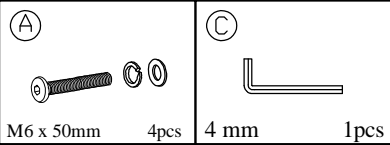
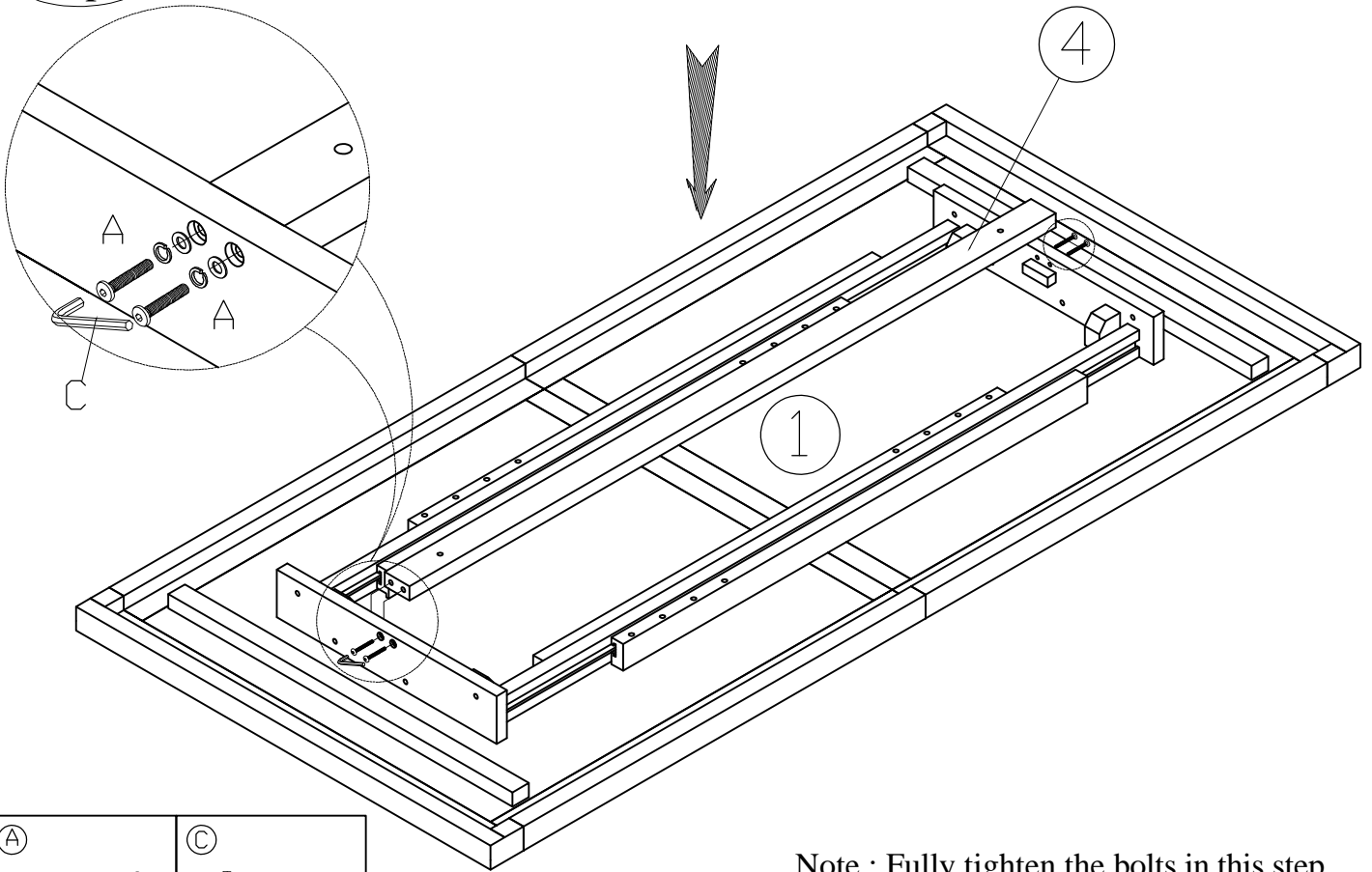
ASSEMBLY INSTRUCTIONS



CODE	PICTURE	SIZE	AMOUNT
A		M6 x 50 mm	10 PCS
B		M8 x 50 mm	8 PCS
C		4 mm x 50 mm	1 PCS
D		13 mm	1 PCS
E		Ø4 x 50 mm	2 PCS

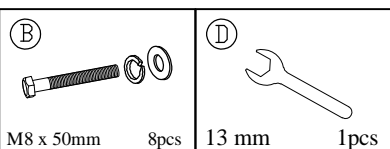
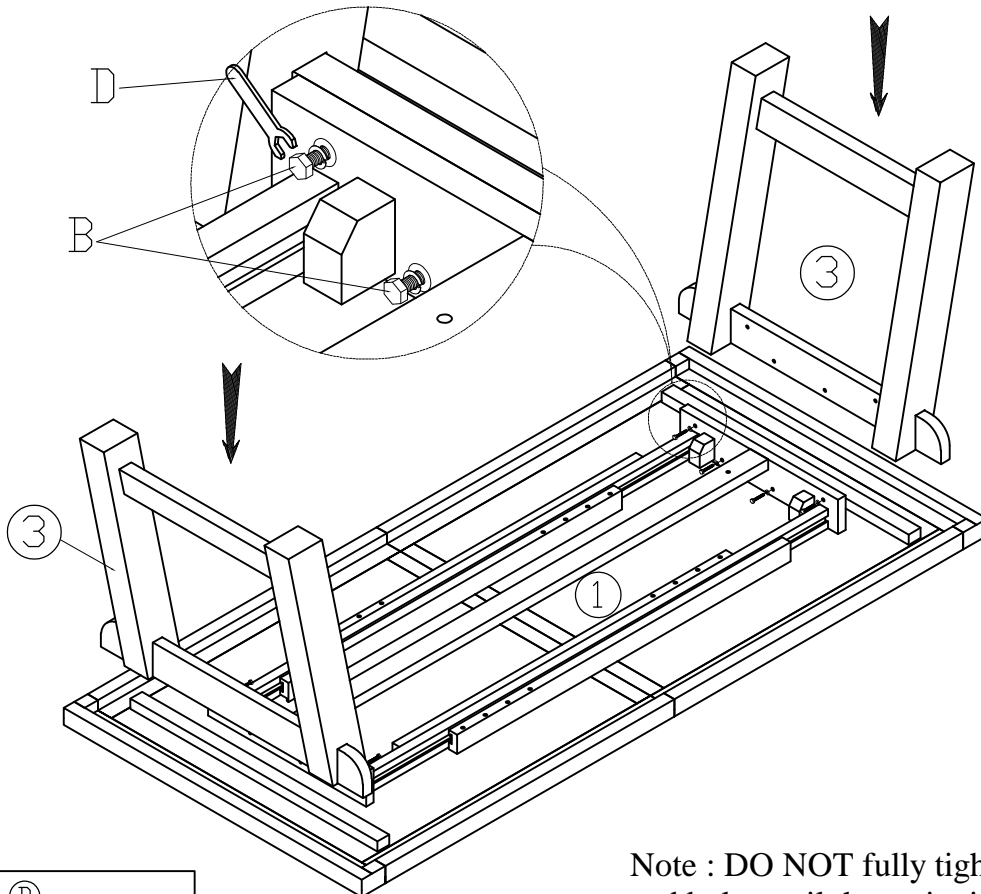


Step1



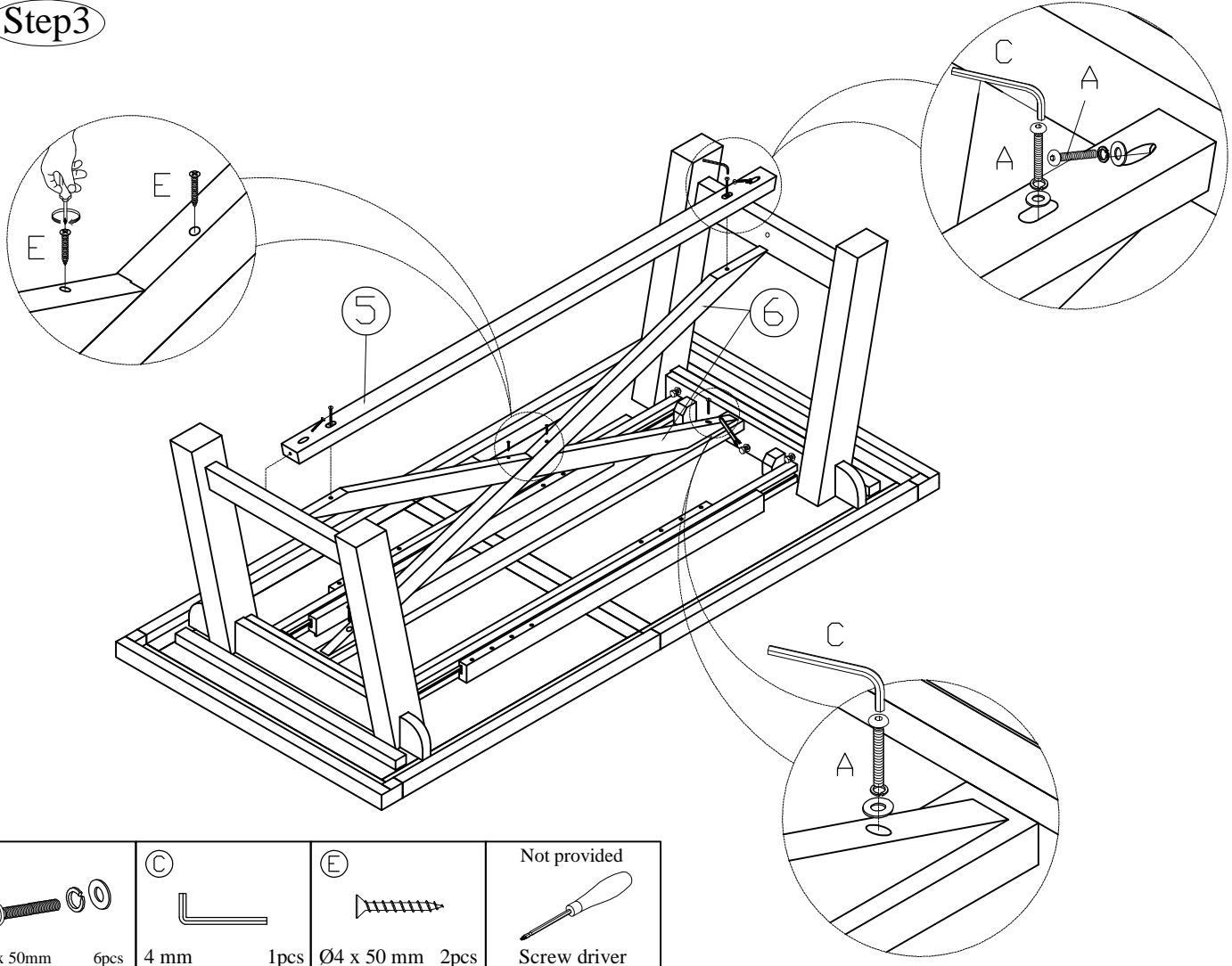
Note : Fully tighten the bolts in this step.

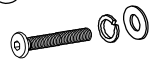

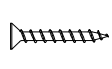
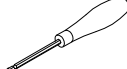
Step2



Note : DO NOT fully tighten screws and bolts until the entire item is completely assembled.

Step3



<p>(A)  M6 x 50mm 6pcs</p>	<p>(C)  4 mm 1pcs</p>	<p>(E)  Ø4 x 50 mm 2pcs</p>	<p>Not provided  Screw driver</p>
--	--	--	--

Step4

