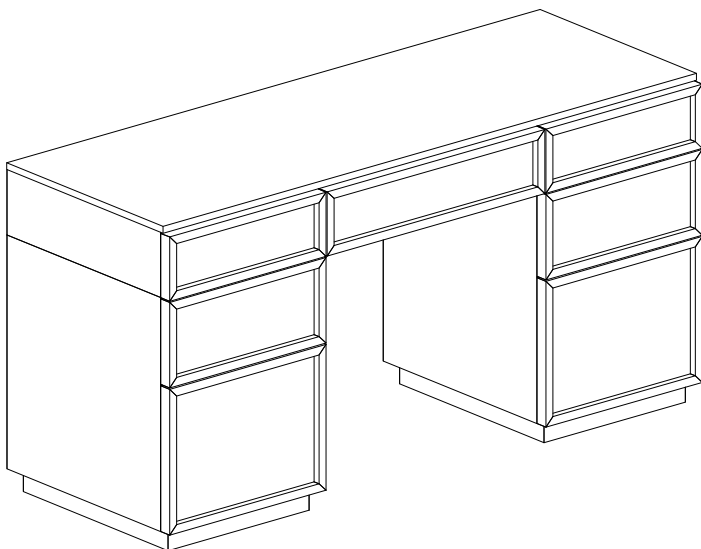


ZEUS 7 DRAWER WOOD DESK

DESIGN #SFV4220

Assembly Instructions



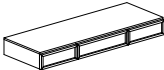
SAFAVIEH
C O U T U R E

Thanks for bringing Safavieh Couture into your home

Everything we make is incredibly simple to set up, including your new desk. You won't need any additional tools.

Parts List

A x 1
TABLE TOP



B x 2
BASE (R&L)



Hardware List

HW1 x 8
Bolt M8x35mm



HW2 x 8
Flat Washer M8x18mm



HW3 x 8
Spring washer M8x14mm

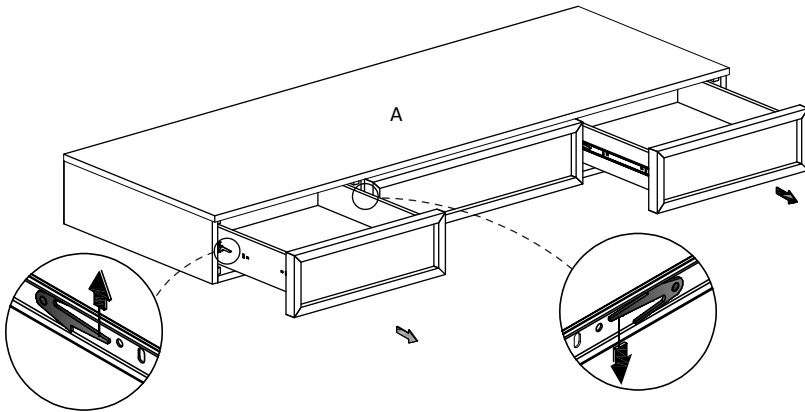


HW4 x 1
Allen key



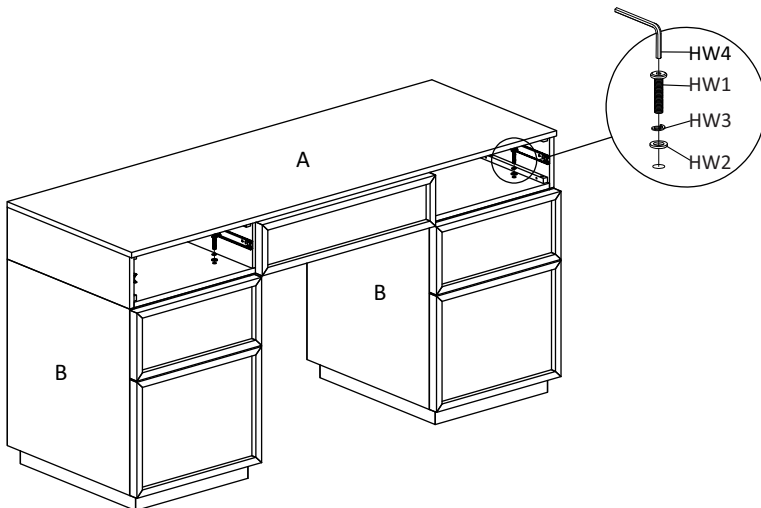
1

Remove the 2 drawers on the 2 ends. To remove the drawers, pull out the drawer and pull the latch on the left up and push the latch on the right down as shown. Slide the drawer out.



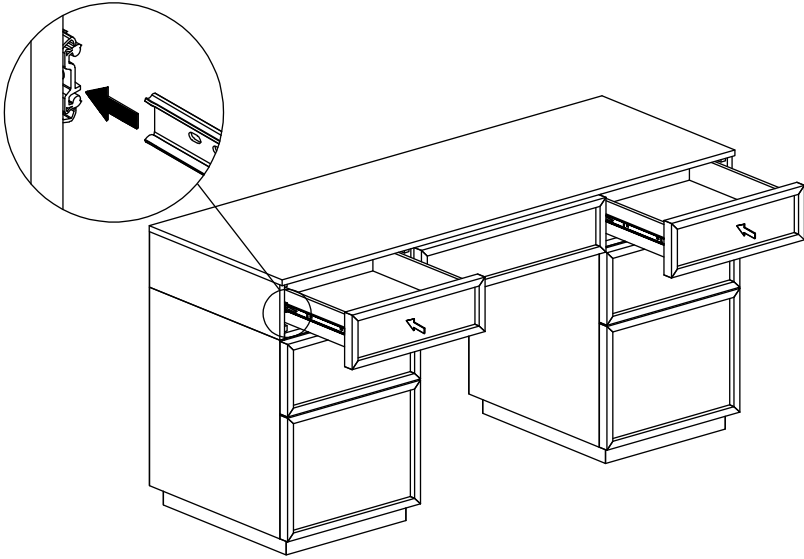
2

Place the Spring washers (HW3) and Flat washers (HW2) on the bolts (HW1). Align the screw holes on the table top (A) to the screw holes on the 2 bases (B). Attach them by using the Allen key (HW4) to screw in the bolts (HW1) with the washers.



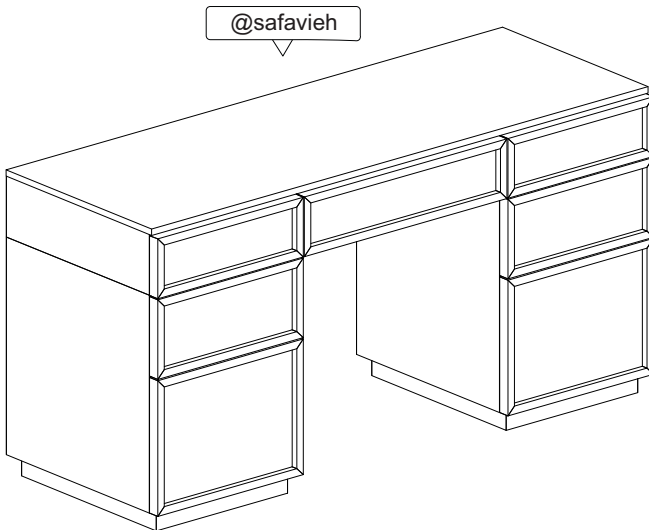
3

Place the drawers back by aligning the drawer glides and pushing them in.



4

Place the desk in the place where you will use it. We'd love to see it – just tag us (we're @safavieh) and use the hashtag #safavieh on Instagram!



Need help?

Feel free to contact us via email or call
if you have any specific questions!

contact us:

cs@safavieh.com

866-422-9070